

Operator's Manual

PlatinumTM

**Oxygen Concentrators Standard,
with /SensO₂[®] and HomeFill[®]**

**Model IRC5LXAW
Model IRC5LXO2AW
Model IRC5LXO2AWQ
Model IRC9LXO2AWQ**

English UK	2
French	33
Italian	66
German	99
Polish	132
Czech	166

Dealer: This manual must be given to the end user.

User: Before using this concentrator, read this manual and save for future reference.

For more information regarding Invacare products, parts, and services, please visit www.invacare.com



Yes, you can.®

⚠ WARNING

DO NOT USE THIS PRODUCT OR ANY AVAILABLE OPTIONAL EQUIPMENT WITHOUT FIRST READING AND UNDERSTANDING THESE INSTRUCTIONS AND ANY ADDITIONAL INSTRUCTIONAL MATERIAL SUCH AS OWNER'S MANUALS, SERVICE MANUALS OR INSTRUCTION SHEETS SUPPLIED WITH THIS PRODUCT OR OPTIONAL EQUIPMENT. IF YOU ARE UNABLE TO UNDERSTAND THE WARNINGS, CAUTIONS OR INSTRUCTIONS, CONTACT A HEALTHCARE PROFESSIONAL, DEALER OR TECHNICAL PERSONNEL BEFORE ATTEMPTING TO USE THIS EQUIPMENT - OTHERWISE, INJURY OR DAMAGE MAY OCCUR.

ACCESSORIES

There are many different types of humidifiers, oxygen tubing, cannulas and masks that can be used with this device. You should contact your local home care provider for recommendations on which of these devices will be best for you. They should also give you advice on the proper usage, maintenance, and cleaning.

⚠ ACCESSORIES WARNING

Invacare products are specifically designed and manufactured for use in conjunction with Invacare accessories. Accessories designed by other manufacturers have not been tested by Invacare and are not recommended for use with Invacare products.

NOTE: Updated versions of this manual are available on www.invacare.com.

TABLE OF CONTENTS

SPECIAL NOTES	4
RECYCLING INFORMATION	5
SECTION 1—GENERAL GUIDELINES	6
Maintenance.....	8
Radio Frequency Interference.....	8
To Reduce The Risk Of Burns, Electrocution, Fire Or Injury To Persons	8
Oxygen Concentration	9
SECTION 2—FEATURES	10
SECTION 3—SHIPPING AND HANDLING	11
Unpacking.....	11
Inspection.....	11
Storage.....	11
SECTION 4—TYPICAL PRODUCT PARAMETERS	13
SECTION 5—OPERATING INSTRUCTIONS	18
Introduction.....	18
Select a Location	18
Recommended Guidelines for Optimum Performance.....	19
Plug in Power Cord	19
Connect Humidifier (If So Prescribed).....	20
Power Switch	22
Flowrate.....	23
SensO ₂ Oxygen Purity Indicators (LX O ₂ Sensor Model).....	24
Indicators (LX Model).....	25
Main Power Loss Alarm System	25
Elapsed Time Meter (Hour Meter)	25
SECTION 6—MAINTENANCE	26
Routine Maintenance.....	26
SECTION 7—TROUBLESHOOTING GUIDE	29
LIMITED WARRANTY	31

SPECIAL NOTES

Signal words are used in this manual and apply to hazards or unsafe practices which could result in personal injury or property damage. Refer to the following table for definitions of the signal words.

SIGNAL WORD	MEANING
DANGER	Danger indicates an imminently hazardous situation which, if not avoided, will result in death or serious injury.
WARNING	Warning indicates a potentially hazardous situation which, if not avoided, could result in death or serious injury.
CAUTION	Caution indicates a potentially hazardous situation which, if not avoided, may result in property damage or minor injury or both.

NOTICE

The information contained in this document is subject to change without notice.

DANGER

DO NOT SMOKE while using this device. Keep all matches, lit cigarettes or other sources of ignition out of the room in which this product is located and away from where oxygen is being delivered.

NO SMOKING signs should be prominently displayed. Textiles and other materials that normally would not burn are easily ignited and burn with great intensity in oxygen enriched air. Failure to observe this warning can result in severe fire, property damage and cause physical injury or death.

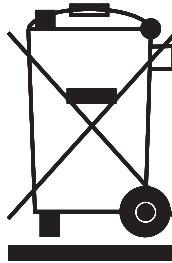
RECYCLING INFORMATION

This product has been supplied from an environmentally aware manufacturer that complies with the Waste Electrical and Electronic Equipment (WEEE) Directive 2002/96/CE.

This product may contain substances that could be harmful to the environment if disposed of in places (landfills) that are not appropriate according to legislation.

The 'crossed out wheelie bin' symbol is placed on this product to encourage you to recycle wherever possible.

Please be environmentally responsible and recycle this product through your recycling facility at its end of life.



SECTION I—GENERAL GUIDELINES

WARNING

SECTION I - GENERAL GUIDELINES contains important information for the safe operation and use of this product.

In order to ensure the safe installation, assembly and operation of the Platinum concentrator these instructions **MUST** be followed.

CAUTION

“Caution: Statutory law restricts this device to sale or rental by or on order of a physician, or any other practitioner licensed by the law of the governmental agency in which he/she practices to use or order the use of this device.”

DANGER

Risk of electric shock. **DO NOT** disassemble. Refer servicing to qualified service personnel.

⚠ WARNINGS

The use of oxygen therapy requires that special care be taken to reduce the risk of fire. Any materials that will burn in air, and some that will not, are easily ignited and burn rapidly in high concentrations of oxygen. For safety concerns, it is necessary that all sources of ignition be kept away from the product and preferably out of the room in which it is being used. **NO SMOKING** signs should be prominently displayed.

A spontaneous and violent ignition may occur if oil, grease or greasy substances come in contact with oxygen under pressure. These substances **MUST** be kept away from the oxygen concentrator, tubing and connections, and all other oxygen equipment. **DO NOT** use any lubricants unless expressly recommended by Invacare.

For optimum performance, Invacare recommends that each concentrator be on and running for a minimum of 30 minutes at a time. Shorter periods of operation may reduce maximum product life.

If the concentrator has a damaged cord or plug, if it is not working properly, if it has been dropped or damaged, or dropped into water, call Qualified Service Personnel for examination and repair.

Keep the oxygen tubing, cord, and unit away from heated or hot surfaces, including space heaters, blankets, stoves and similar electrical appliances.

DO NOT move or relocate concentrator by pulling on the cord.

NEVER drop or insert any object into any opening.

NEVER block the air openings of the product or place it on a soft surface, such as a bed or couch, where the air opening may be blocked. Keep the openings free from lint, hair and the like.

Fill humidifier with water to the level shown by the manufacturer. DO NOT overfill.

Keep unit at least 7.5 cm (3 in) away from walls, draperies, furniture, and the like.

Invacare recommends that Crushproof oxygen tubing (supplied by Invacare) be used with this product and NOT exceed 15.2 m (50 ft) in length. Recommended use for Platinum 9 is up to 15.2 m (50 ft) in length of high flow tubing.

Maintenance

The Invacare Oxygen Concentrator was specifically designed to minimize routine preventive maintenance at intervals of once per year. Only professionals of the healthcare field or persons fully conversant with this process such as authorized or factory trained personnel should perform preventive maintenance or performance adjustments on the oxygen concentrator.

Radio Frequency Interference

Most electronic equipment is influenced by Radio Frequency Interference (RFI). Caution should be exercised with regard to the use of portable communications equipment in the area around such equipment.

To Reduce The Risk Of Burns, Electrocutation, Fire Or Injury To Persons

Avoid using while bathing. If continuous usage is required by the physician's prescription:

The concentrator must be located in another room at least 2.1 m (7 ft.) from the bath.

DO NOT come in contact with the concentrator while wet.

A product should NEVER be left unattended when plugged in.

DO NOT place or store product where it can drop into water or other liquid.

DO NOT reach for product that has fallen into water. Unplug IMMEDIATELY.

This device is to be used only in accordance with the prescription of a physician and this Owners Manual. If at any time the patient or attendant conclude that the patient is receiving an insufficient amount of oxygen, the supplier and/or physician should be contacted IMMEDIATELY. No adjustments should be made to the flowrate unless prescribed by a physician.

Close supervision is necessary when this product is used near children or physically-challenged individuals.

Use this product for only intended use as described in this manual.

DO NOT connect the concentrator in parallel or series with other oxygen concentrators or oxygen therapy devices.

Use of some administration accessories or certain humidifiers not specified for use with oxygen concentrator may impair the performance.

In certain circumstances oxygen therapy can be hazardous. Invacare recommends that you seek medical advice before using this machine.

This equipment is to be used as an oxygen supplement and is not considered life supporting or life sustaining.

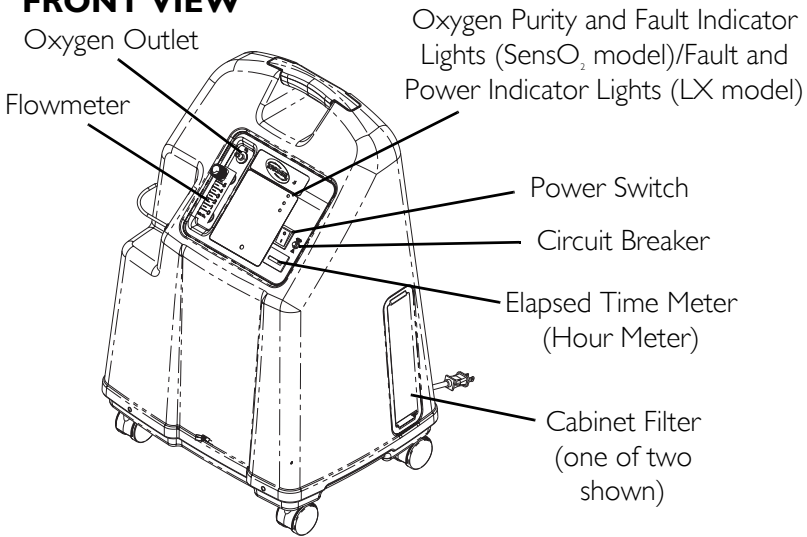
Avoid creation of any spark near medical oxygen equipment. This includes sparks from static electricity created by any type of friction.

Oxygen Concentration

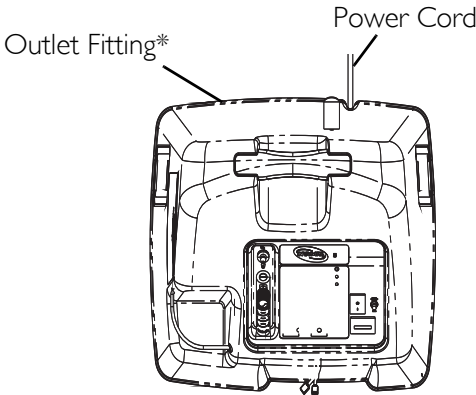
Take care not to set the flow above RED ring. An oxygen flow greater than 5 L/min. (IRC5LXO2AW, IRC5LXAW, IRC5LXO2AWQ) and 9 L/min. (IRC9LXO2AWQ) will decrease the oxygen concentration.

SECTION 2—FEATURES

FRONT VIEW



**NOTE: This outlet fitting is to be used only for filling oxygen cylinders with the HomeFill home oxygen compressor. The outlet fitting does not affect concentrator performance. Refer to the HomeFill owner's manual, part number 1145804, for connection and operating instructions. When not in use, the plug provided with the concentrator should be inserted into the outlet fitting. For more information about the HomeFill, contact Invacare.*



TOP VIEW

ACCESSORIES (NOT SHOWN):

HomeFill home oxygen compressor

Contact your local Invacare representative for available accessory information.

SECTION 3—SHIPPING AND HANDLING

NOTE: For this procedure, refer to FIGURE 3.1 on page 12.

Before you install and operate the concentrator, please refer to Platinum Series Owner's Manual.

The Platinum concentrator should ALWAYS be kept in the upright position to prevent cabinet damage while being transported. The shipping container has been designed to assure maximum protection of the concentrator.

If the concentrator is to be reshipped by common carrier, it should be packed in a new carton. Additional cartons are available from Invacare.

The air compressor suspension system has been engineered to withstand severe motion and orientation.

Unpacking

1. Check for any obvious damage to the carton or its contents. If damage is evident, notify the carrier, or Invacare.
2. Remove all loose packing from the carton.
3. Carefully remove all the components from the carton.

NOTE: Retain carton and packing materials for storage of the Platinum.

Inspection

1. Examine exterior of the oxygen concentrator for nicks, dents, scratches or other damages. Inspect all components.

Storage

1. Store the repackaged oxygen concentrator in a dry area.
2. DO NOT place other objects on top of the repackaged concentrator.

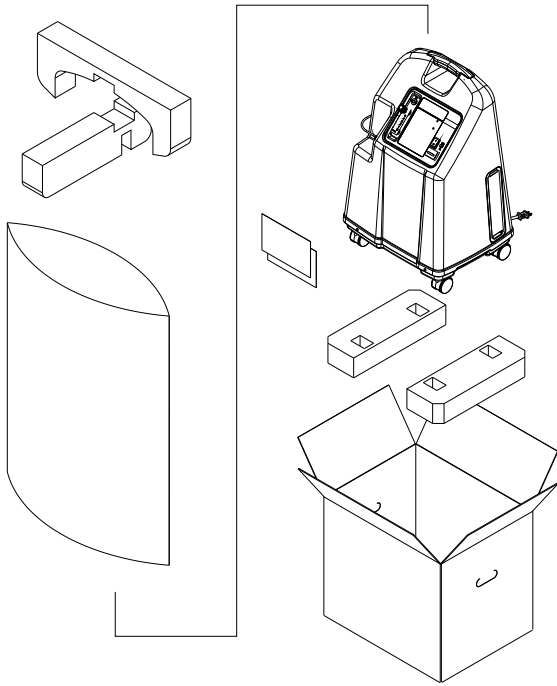









FIGURE 3.1 Unpacking

SECTION 4—TYPICAL PRODUCT PARAMETERS

Regulatory Listing:	EN/IEC 60601-1
	Alternating Current
	Type BF equipment
	Unit running
	Unit not running
	Attention - Consider Accompanying Documents
	DO NOT smoke
	Class II, Double Insulation

Electrical Requirements:	230 VAC \pm 10% (253 VAC/207 VAC), 50 Hz
Rated Current Input:	1.4 A (IRC5LXO2AWQ)
	2.0 A (IRC5LXAW, IRC5LXO2AW)
	2.3 A (IRC9LXO2AWQ)
Sound Level:	39.5 dB Average (IRC5LXO2AWQ)
	44 dB Average (IRC5LXAW, IRC5LXO2AW)
	50 dB Average (IRC9LXO2AWQ)
Altitude:	Up to 1828 meters (6,000 ft.) above sea level without degradation of concentration levels. NOT RECOMMENDED FOR USE ABOVE 1828 meters (6,000 ft)
	For IRC9LXO2AWQ - Up to 4,000 ft. (1230 meters) above sea level without degradation of concentration levels. For 4,000 ft (1230 meters) to 13,129 ft (4000 meters) below 90% efficiency.

SECTION 4—TYPICAL PRODUCT PARAMETERS

<p>*Oxygen Output Concentration Levels: All 5LXO2AWQ/5LXAW/ 5LXO2AW/9LXO2AWQ models * (Stated concentration levels achieved after initial warm-up period (approximately 30 minutes).</p>	<p>IRC5LXAW, IRC5LXO2AW and IRC5LXO2AWQ 93% minimum at 1 to 3 L/min. 91% minimum at 4 L/min. 87% minimum at 5 L/min. (maximum recommended flow) IRC9LXO2AWQ 92% minimum at 1 to 2 L/min. 91% minimum at 8 L/min. 87% minimum at 9 L/min. 93% minimum at 3 to 7 L/min.</p>
<p>Maximum Outlet Pressure:</p>	<p>IRC5LXAW, IRC5LXO2AW, IRC5LXO2AWQ 34.5 ± 3.45 kPa (5 ± 0.5 psi)</p>
	<p>IRC9LXO2AWQ 62.0 kPa ± 3.45 kPa (9 ± 0.5 psi)</p>
<p>Flow Range:</p>	<p>IRC5LXAW, IRC5LXO2AW, IRC5LXO2AWQ 0.5 to 5 L/min. Flowrates less than 1 L/min. are not recommend</p>
	<p>IRC9LXO2AWQ 1 L/min. to 9 L/min. Flowrates less than 1 L/min. are not recommended.</p>
<p>Low Flow Alarm:</p>	<p>0 L/min. to 0.5 L/min. Rapid Audible Alarm Beeping (No Accessories Connected).</p>
<p>Average Power Consumption:</p>	<p>(IRC5LXO2AWQ) 300 W 280 W @ ≤ 3 L/min.</p>
	<p>(IRC5LXO2AW) 365 W 340 W @ ≤ 3 L/min.</p>
	<p>380 W (IRC5LXAW)</p>
	<p>460 W (IRC9LXO2AWQ)</p>
<p>Pressure Relief Mechanism Operational at:</p>	<p>241 kPa ± 24.1 kPa (35 psi ± 3.5 psi)</p>



SECTION 4—TYPICAL PRODUCT PARAMETERS

Change in maximum recommended flow when back pressure of 7k Pa is applied:	0.7 L/min.
Filters:	Cabinet (2), Outlet HEPA and Compressor Inlet.
Safety System:	Current overload or line surge shutdown. High temperature compressor shutdown. High Pressure Alarm w/compressor shutdown. Low Pressure Alarm w/compressor shutdown. Battery Free Power Loss Alarm. SensO ₂ Oxygen System (SensO ₂ Model) Low Flow Alarm.
Width:	46.7 cm ± 1 cm (18 3/8 in ± 3/8 in)
Height:	67.0 cm ± 1 cm (6 3/8 in. ± 3/8 in)
Depth:	36.5 cm ± 1 cm (14 3/8 in. ± 3/8 in)
Weight:	IRC5LXAW, IRC5LXO2AW, IRC5LXO2AWQ 23.6 kg ± 1 kg (52 lbs ± 2 lbs)
	IRC9LXO2AWQ 24.0 kg ± 1 kg (53 lbs ± 2 lbs)
Shipping Weight:	IRC5LXAW, IRC5LXO2AW, IRC5LXO2AWQ 26.8 kg ± 1 kg (59 lbs ± 2 lbs)
	IRC9LXO2AWQ 27.2 kg ± 1 kg (60 lbs ± 2 lbs)
Operating Ambient Temperature:	10°C - 35°C (50°F - 95°F) at 20-60% relative humidity.
Exhaust:	Less than Ambient +19°C (+ 35°F).
Oxygen Output:	Less than Ambient +2°C (+ 4°F).
Cabinet:	Impact Resistant flame-retardant plastic cabinet that conforms to UL 94-V0.


SECTION 4—TYPICAL PRODUCT PARAMETERS

Regulatory Listing:	<p>IRC5LXAW/IRC5LXO2AW/ IRC5LXO2AWQ/IRC9LXO2AWQ ETL tested as complying with: EN55011 EN61000-3-2 EN61000-3-3 IEC 60601-1, A1, A2 IEC 60601-1-2</p> <p>IRC5LXO2AW, IRC5LXO2AWQ, IRC9LXO2AWQ Models Only ISO8359 MDD</p>
CE marked models:	<p>IRC5LXO2AW, IRC5LXO2AWQ, IRC9LXO2AWQ</p>
Electrical:	<p>No extension cords.</p>
Placement:	<p>No closer than 7.5 cm (3 inches) from any wall, furniture, draperies, or similar surfaces.</p>
Tubing:	<p>IRC5LXAW, IRC5LXO2AW, IRC5LXO2AWQ 2.1 m (7 ft) cannula with a maximum 15.2 m (50 ft) of Crush-Proof Tubing (DO NOT pinch).</p>
	<p>IRC9LXO2AWQ Recommended use up to 15.2 M (50 ft) high flow tubing with high flow cannula at all flow rates.</p>
Relative Humidity:	<p>20 to 60%</p>
Time of Operation:	<p>Up to 24 hours per day.</p>
Recommended Storage and Shipping Temperature:	<p>-29°C to 65°C (-20°F to 150°F) at 15-95% relative humidity.</p>

SENSO₂ INDICATORS

LABEL SYMBOL	STATUS	INDICATOR LIGHTS (LED)
O ₂	SYSTEM OKAY O ₂ over 85% (± 2%)	GREEN Indicator Light
	O ₂ Between 73% (± 3%) to 85% (±2%)	YELLOW Indicator light A. YELLOW Solid B. YELLOW Flashing Sensor Failure Call a qualified technician.
	SYSTEM FAILURE O ₂ Below 73% (±3%)	RED Indicator Light Refer to <u>Troubleshooting Guide</u> on page 29.

LX INDICATORS

LABEL SYMBOL	STATUS	INDICATOR LIGHTS (LED)
I/O	SYSTEM OKAY	GREEN Indicator Light
	SYSTEM FAILURE	RED Indicator light Continuous Audible Alarm Sieve-GARD™ Compressor Shutdown Call a qualified technician

SECTION 5—OPERATING INSTRUCTIONS

Introduction

Your oxygen concentrator is intended for individual use in the home. It is an electronically operated device that separates oxygen from room air. It provides high concentration of oxygen directly to you through a nasal cannula. Clinical studies have documented that oxygen concentrators are therapeutically equivalent to other types of oxygen delivery systems.

Your provider will show you how to use your oxygen concentrator. He/She should be contacted with any questions or problems regarding your oxygen concentrator. This owner's manual will tell you about your concentrator and will serve as a reference as you use your concentrator.

Select a Location

You may select a room in your house where using your oxygen concentrator would be most convenient. Your concentrator can be easily rolled from room to room on its casters.

Your oxygen concentrator will perform best when operated under the following conditions. Usage in environments other than those described may result in the need for increased equipment maintenance. The air intake of the unit should be located in a well ventilated area to avoid airborne pollutants and/or fumes.

Recommended Guidelines for Optimum Performance

Temperature:	(10°C - 35°C) 50°F - 95°F
Electrical:	No extension cords.
Placement:	No closer than 7.5 cm (3 in) from the wall, furniture, draperies, or similar surfaces.
Tubing and Cannula:	IRC5LXAW, IRC5LXO2AW, IRC5LXO2AWQ 2.1 m (7 ft) cannula with a maximum 15.2 m (50 ft) of Crush-Proof Tubing (DO NOT pinch).
	IRC9LXO2AWQ Recommended use up to 15.2 m (50 ft) high flow tubing with high flow cannula at all flow rates.
Environment:	Smoke and soot-free. No confined spaces (Example: No closets).
Relative Humidity:	20 to 60%
Time of Operation:	Up to 24 hours per day.
Flow Rate	IRC5LXAW, IRC5LXO2AW, IRC5LXO2AWQ 0.5 L/min. to 5 L/min. Flow rates less than 1 L/min., are not recommended.
	IRC9LXO2AWQ 1 L/min. to 9L/min. Flow rates less than 1 L/min. are not recommended.
Minimum Operating Time:	30 Minutes

NOTE: Ensure that your concentrator is at least 7.5 cm (3 in) away from walls, draperies or furniture to assure sufficient air flow. Avoid deep pile carpets and heaters, radiators or hot air registers.

Plug in Power Cord

1. Plug in power cord to an electrical outlet.

Connect Humidifier (If So Prescribed)

NOTE: For this procedure, refer to FIGURE 5.1, FIGURE 5.2, FIGURE 5.3 on page 21 and FIGURE 5.4 on page 22.

1. Fill humidifier with distilled water to the level indicated by the manufacturer. (Please contact Invacare for recommendations).

⚠ WARNING

DO NOT overfill humidifier.

Replace the humidifier cap and securely tighten.

DO NOT reverse the oxygen input and output connections. Water from the humidifier bottle will travel through the cannula back to the patient.

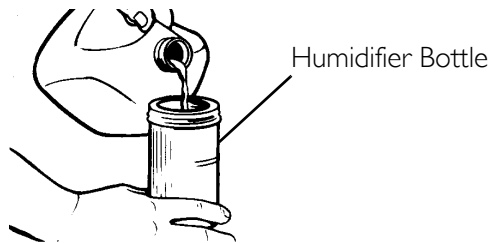


FIGURE 5.1 Filling the Humidifier

2. Place the humidifier bottle in the humidifier compartment.

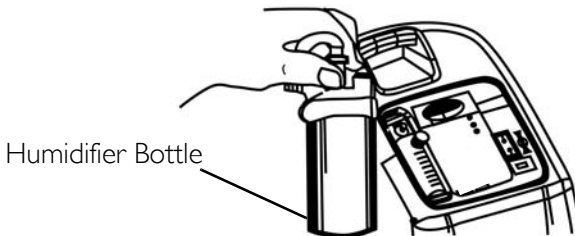


FIGURE 5.2 Humidifier Compartment

3. Remove the filter access door located on the side of the concentrator. Insert a flathead screwdriver in the plate groove on the top edge of the filter access door and gently pry the filter access door open. Refer to Detail "A" in FIGURE 5.3.
4. The humidifier adapter is next to the inlet filter. Pull up and remove the humidifier bottle adapter. Refer to Detail "B" in FIGURE 5.3.
5. Attach it to the humidifier by turning the wing nut on the humidifier bottle counterclockwise until it is securely fastened. Refer to Detail "C" in FIGURE 5.3.

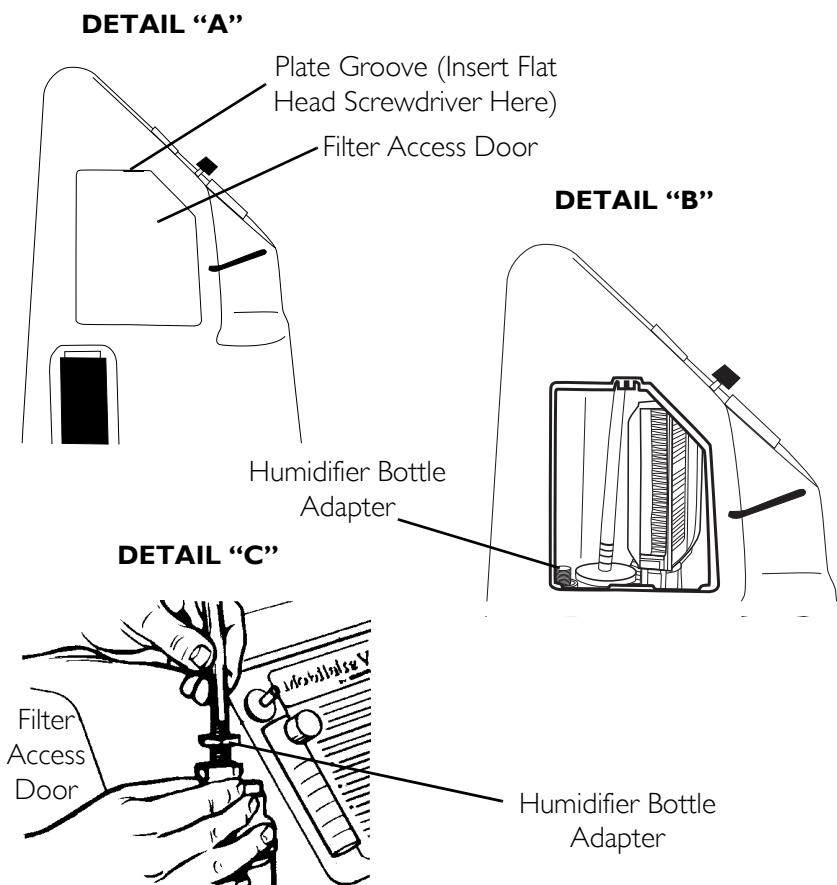


FIGURE 5.3 Attaching the Humidifier Bottle Adapter

6. Attach oxygen tubing from the humidifier bottle to oxygen outlet connector on the oxygen concentrator.
7. Attach the cannula/patient supply tubing to the humidifier bottle outlet.
8. After assembly, ensure that oxygen is flowing through the cannula.
9. Replace the filter access door on the side of concentrator by snapping it back into the plate groove.

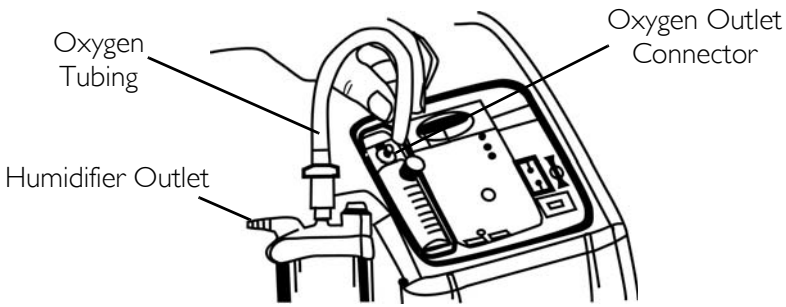


FIGURE 5.4 Attaching the Oxygen Tubing

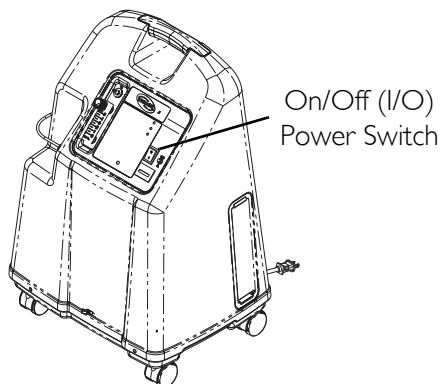
⚠ WARNING

For optimum performance, Invacare recommends that each concentrator be on and running for a minimum of 30 minutes at a time. Shorter periods of operation may reduce maximum product life.

Power Switch

NOTE: For this procedure, refer to FIGURE 5.5 on page 23.

1. Press power switch to on position. All the panel lights and the audible alarm will come on for one second, indicating that the unit is functioning properly.

**FIGURE 5.5** Power Switch

Flowrate

NOTE: For this procedure, refer to FIGURE 5.6 on page 24.

1. Turn the flowrate knob to the setting prescribed by your physician or therapist.

⚠ WARNING

DO NOT change the L/min. setting on the flowmeter unless a change has been prescribed by your physician or therapist.

NOTE: To properly read the flowmeter, locate the prescribed flowrate line on the flowmeter. Next, turn the flow knob until the ball rises to the line. Now, center the ball on the L/min. line prescribed.

2. If the flowrate on the flowmeter ever falls below 0.5 L/min. for more than about one minute, the LOW FLOW alarm will be triggered. This is a rapid beeping of the audible alarm. Check your tubing or accessories for blocked or kinked tubing or a defective humidifier bottle. After rated flow is restored, more than 0.5 L/min., the LOW FLOW audible alarm will go off.

NOTE: The use of some accessories such as the pediatric flowstand and the HomeFill compressor will deactivate the Low Flow Alarm.

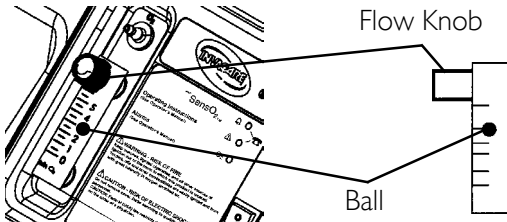


FIGURE 5.6 Flowrate

SensO₂ Oxygen Purity Indicators (LX O₂ Sensor Model)

This feature monitors the purity of oxygen generated by the oxygen concentrator. If purity falls below factory preset standards, indicator lights on the control panel will illuminate.

Initial Startup of the Concentrator

NOTE: Concentrator may be used during the initial start warm-up time (approximately 30 min.) while waiting for the O₂ purity to reach maximum.

When the unit is turned on, the GREEN light will come on (SYSTEM OK/O₂ greater than 85%). After five minutes, the oxygen sensor will be operating normally and will control the indicator lights depending on oxygen concentration values.

Explanation of Oxygen Purity Indicator Lights

NOTE: For this procedure, refer to FIGURE 5.7.

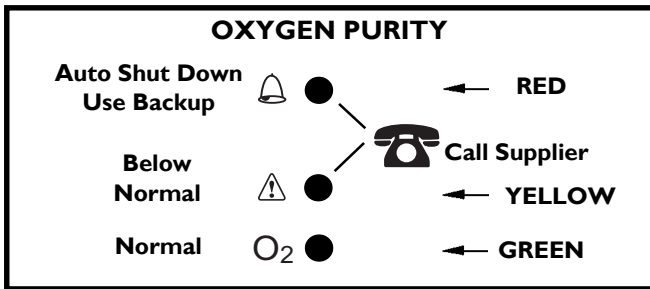


FIGURE 5.7 SensO₂ Oxygen Purity Indicators (LX O₂ Sensor Model)

GREEN light (O₂) - Normal Operation.

YELLOW light (⚠) - Call supplier IMMEDIATELY. You may continue to use the concentrator unless instructed otherwise by your supplier. Be certain that backup oxygen is nearby.

RED light (⚠) - Total unit shutdown. Switch IMMEDIATELY to backup oxygen supply. Call supplier IMMEDIATELY (FIGURE 5.7).

GREEN light - with YELLOW light flashing - Call supplier IMMEDIATELY. Oxygen sensor malfunctioning; you may continue to use the concentrator (FIGURE 5.7).

Indicators (LX Model)

NOTE: For this procedure, refer to FIGURE 5.8.

Explanation of LX models Indicator Lights

RED light (⚠) - Total Unit Shut-Down. Switch IMMEDIATELY to a back-up oxygen supply. Call supplier IMMEDIATELY.

GREEN light (I/O) - On/Off. System okay.

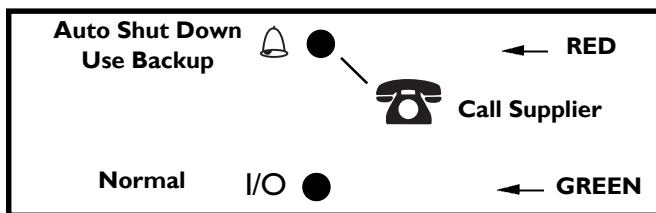


FIGURE 5.8 Indicators (LX Model)

Main Power Loss Alarm System

The alarm system contains no battery - and is thereby maintenance free. The alarm system is powered by a capacitor that is continuously charged and ready to trigger the alarm in the event of main power loss.

Elapsed Time Meter (Hour Meter)

The hour meter displays the cumulative number of hours the unit has operated.

SECTION 6—MAINTENANCE

NOTE: The Invacare concentrators are specifically designed to minimize routine preventive maintenance. In places with high dust or soot levels, maintenance may need to be performed more often. Only authorized or factory-trained personnel should perform preventive maintenance on the concentrator. Power should be disconnected before beginning preventive maintenance on the Invacare concentrator.

NOTE: At a minimum, preventive maintenance MUST be performed according to the maintenance record guidelines. Refer to Preventive Maintenance Record Invacare Platinum Oxygen Concentrator on page 28.

Routine Maintenance

NOTE: The following routine maintenance should be performed more frequently. See recommended intervals in each section and preventive maintenance record.

Cleaning the Cabinet Filter

NOTE: For this procedure, refer to FIGURE 6.1 on page 27.

CAUTION

DO NOT operate the concentrator without the filters installed.

NOTE: There are two cabinet filters. One filter located on each side of the cabinet.

1. Remove each filter and clean at least once a week depending on environmental conditions.

NOTE: Environmental conditions that may require more frequent cleaning of the filters include but are not limited to: high dust, smoking, air pollutants, etc.

2. Clean the cabinet filters with a vacuum cleaner or wash in warm soapy water and rinse thoroughly.
3. Dry the filters thoroughly before reinstallation.

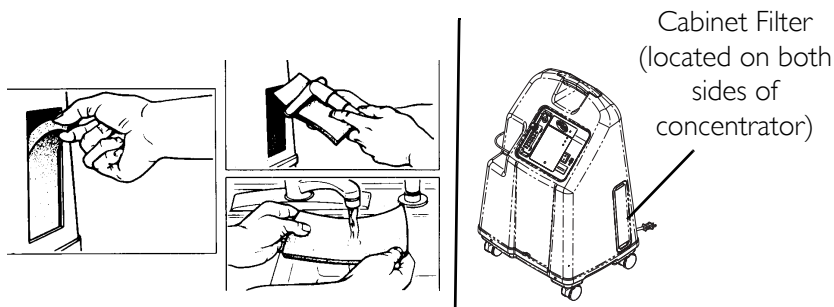


FIGURE 6.1 Cleaning the Cabinet Filter

Cabinet

⚠ WARNING

Unplug the concentrator when cleaning. To avoid electrical shock, DO NOT remove cabinet.

1. Clean the cabinet with a mild household cleaner and non-abrasive cloth or sponge.

Humidifier

NOTE: To clean the oxygen humidifier, follow the instructions provided by the manufacturer. If none are provided, follow these steps:

1. Clean the humidifier every day.
2. Wash it in soapy water and rinse it with a solution of ten parts water and one part vinegar.
3. Rinse thoroughly with hot water and refill with distilled water to the level shown on the humidifier.

⚠ WARNING

DO NOT overfill humidifier bottle.

MODEL NO. IRC _____ SERIAL NO. _____



PREVENTIVE MAINTENANCE RECORD

ON EACH INSPECTION	Yes, you can:											
Record Date of Service												
Record Elapsed Hours On Hour Meter												
Clean Cabinet Filter(s)												
Check Prescribed L/min. Flow Rate												
EVERY 4,380 HOURS												
Check Oxygen Concentration (UNITS WITHOUT SensO ₂)												
EVERY 24,280 HOURS OR 3 YEARS, WHICHEVER COMES FIRST												
Check Oxygen Concentration (UNITS WITH SensO ₂)												
DURING PREVENTIVE MAINTENANCE SCHEDULE, OR BETWEEN PATIENTS												
Clean/Replace Cabinet Filter(s)												
Check Outlet HEPA Filter*												
Check Compressor Inlet Filter*												
Check Power Loss Alarm												
AS REQUIRED												
Clean Heat Exchanger												
Replace Exhaust Muffler												
Rebuild Top End of Compressor												

*NOTE: Refer to Preventive Maintenance section of Service Manual.
 NOTE:
 4,380 hours are equivalent to usage 24 hours per day, 7 days per week, for 6 months.
 24,280 hours are equivalent to usage 24 hours per day, 7 days per week, for 3 years.

FIGURE 6.2 Preventive Maintenance Record Invacare Platinum Oxygen Concentrator

SECTION 7—TROUBLESHOOTING GUIDE

SYMPTOM:	PROBABLE CAUSE:	SOLUTION:
Alarm:	Main Power Loss:	
Short beeps, long pause	1. Power cord NOT plugged in.	1. Insert plug into outlet.
Concentrator not operating, power switch On.	2. No power at outlet.	2. Inspect house circuit breakers or fuses. If problem recurs, use a different outlet.
Beep.....Beep.....	3. Tripped circuit breaker.	3. Call Service Provider.
Alarm: Continuous Concentrator not operating, Power Switch On. Beeeeeeeep....	System Failure: 1. Unit overheating due to blocked air intake. 2. Insufficient power at outlet. 3. Internal repairs required	1a. Remove and clean cabinet filters. 1b. Move oxygen concentrator at least 7.5 cm (3 in) away from walls, draperies or furniture. 2. DO NOT use extension cords. Move to another electrical outlet or circuit. 3. Call Service Provider.

SECTION 7—TROUBLESHOOTING GUIDE

SYMPTOM:	PROBABLE CAUSE:	SOLUTION:
<p>YELLOW or RED light illuminated.</p> <p>Alarm: Continuous On red light only.</p> <p>* Only applies to SensO₂ models.</p>	<p>1. Low oxygen purity.*</p> <p>2. Kinked or blocked tubing, cannula or humidifier.*</p> <p>3. Flowmeter set at 0.5 L/min. or less.*</p> <p>4. Unit overheating due to blocked air intake.</p> <p>5. Insufficient power at outlet.</p> <p>6. Internal repairs required.</p>	<p>1. Clean or Replace filters.</p> <p>2. Inspect for kinks or blockages. Correct, clean or replace item. Once corrected, turn power OFF for 60 seconds and then turn power back ON.</p> <p>3. Check flowmeter is set to 1.0 L/min. or more. (Refer to <u>Recommended Guidelines for Optimum Performance</u> on page 19.</p> <p>4.a. Remove and clean cabinet filters.</p> <p>4b. Move concentrator at least 7.5 cm (3 in) from walls, draperies, and furniture.</p> <p>5. DO NOT use extension cords. Move to another electrical outlet or circuit.</p> <p>6. Call Service Provider.</p>
<p>GREEN light YELLOW Light Flashing.</p>	<p>1. Internal repairs required.</p>	<p>1. Call Service Provider.</p>
<p>Alarm: RAPID</p> <p>Beep....Beep... Beep...Beep</p>	<p>Low Flow Alarm</p> <p>1a. Kinked or blocked tubing, cannula or humidifier.</p> <p>1b. Flowmeter set at 0.5 L/min. or less.</p>	<p>1a. Inspect for kinks or blockages. Correct, clean or replace item. Once corrected, turnpower OFF for 60 seconds and then turn power back ON.</p> <p>1b. Reset flowmeter to prescribed flowrate. Flowrates less than 1L/min. are not recommended.</p>

LIMITED WARRANTY

Belgium & Luxembourg:

Invacare nv, Autobaan 22, B-8210
Loppem
Tel: (32) (0) 50 83 10 10
Fax: (32) (0) 50 83 10 11
belgium@invacare.com

Danmark:

Invacare A/S, Sdr. Ringvej 37, DK-2605
Brøndby
Tel: (45) (0)36 90 00 00
Fax: (45) (0)36 90 00 01
denmark@invacare.com

Deutschland:

Invacare Aquatec GmbH,
Alemannenstraße 10, D-88316 Isny
Tel: (49) (0)75 62 7 00 0
Fax: (49) (0)75 62 7 00 66
info@invacare-aquatec.com

European Distributor Organisation:

Invacare, Kleiststraße 49, D-32457 Porta
Westfalica
Tel: (49) (0)57 31 754 540
Fax: (49) (0)57 31 754 541
edo@invacare.com

España:

Invacare SA, c/Areny s/n, Poligon
Industrial de Celrà, E-17460 Celrà
(Girona)
Tel: (34) (0)972 49 32 00
Fax: (34) (0)972 49 32 20
contactsp@invacare.com

France:

Invacare Poirier SAS, Route de St Roch,
F-37230 Fondettes
Tel: (33) (0)2 47 62 64 66
Fax: (33) (0)2 47 42 12 24
contactfr@invacare.com

Ireland:

Invacare Ireland Ltd, Unit 5 Seatown
Business Campus,
Seatown Road, Swords, County Dublin
– Ireland
Tel: (353) 1 810 7084
Fax: (353) 1 810 7085
ireland@invacare.com

Italia:

Invacare Mecc San s.r.l., Via dei Pini 62,
I-36016 Thiene (VI)
Tel: (39) 0445 38 00 59
Fax: (39) 0445 38 00 34
italia@invacare.com

Nederland:

Invacare BV, Celsiusstraat 46, NL-6716
BZ Ede
Tel: (31) (0)318 695 757
Fax: (31) (0)318 695 758
nederland@invacare.com
csede@invacare.com

Norge:

Invacare AS, Grensesvingen 9, Postboks
6230, Etterstad, N-0603 Oslo
Tel: (47) (0)22 57 95 00
Fax: (47) (0)22 57 95 01
norway@invacare.com
island@invacare.com

Österreich:

Invacare Austria GmbH, Herzog
Odilostrasse 101, A-5310 Mondsee
Tel: (43) 6232 5535 0
Fax: (43) 6232 5535 4
info@invacare-austria.com

Sverige & Suomi:

Invacare AB, Fagerstagatan 9,
S-163 91 Spånga
Tel: (46) (0)8 761 70 90
Fax: (46) (0)8 761 81 08
sweden@invacare.com
finland@invacare.com

Switzerland:

Invacare AG,
Benkenstrasse 260, CH-4108 Witterswil
Tel: (41) (0)61 487 70 80
Fax: (41) (0)61 487 70 81
switzerland@invacare.com

United Kingdom:

Invacare Limited, Pencoed Technology
Park, Pencoed, Bridgend CF35 5HZ
Tel: (44) (0) 1656 776200
Fax: (44) (0) 1656 776201
Customer Services:
Tel: (44) (0) 1656 776222
Fax: (44) (0) 1656 776220
UK@invacare.com

Portugal:

Invacare Lda,
Rua Estrada Velha, 949, P-4465-784 Leça
do Balio
Tel: (351) (0)225 1059 46/47
Fax: (351) (0)225 1057 39
portugal@invacare.com

NOTES

Manuel d'utilisation

PlatinumTM

**Concentrateurs d'oxygène standard, avec / SensO₂[®]
et HomeFill[®]**

**Modèle IRC5LXAW
Modèle IRC5LXO2AW
Modèle IRC5LXO2AWQ
Modèle IRC9LXO2AWQ**

Distributeur : Ce manuel doit être remis à l'utilisateur final.

Utilisateur : Avant d'utiliser ce concentrateur, lire ce manuel et le conserver à titre de référence.

Visiter le site www.invacare.fr pour plus d'informations sur les produits, pièces et services Invacare.



Yes, you can.®

⚠ MISE EN GARDE

N'UTILISEZ PAS CE PRODUIT OU TOUT AUTRE PRODUIT OPTIONNEL SANS AVOIR AU PRÉALABLE LU ET COMPRIS CES INSTRUCTIONS ET TOUTES INSTRUCTIONS COMPLÉMENTAIRES COMME LE MANUEL DE L'UTILISATEUR, MANUELS D'ENTRETIEN ET FEUILLES D'INSTRUCTION FOURNIES AVEC CE PRODUIT OU TOUT ÉQUIPEMENT OPTIONNEL. SI L'UTILISATEUR NE COMPREND PAS LES MISES EN GARDE, LES MESSAGES D'AVERTISSEMENT OU LES INSTRUCTIONS, IL DOIT CONTACTER UN PROFESSIONNEL DE LA SANTÉ, LE DISTRIBUTEUR OU LE PERSONNEL TECHNIQUE AVANT DE TENTER D'UTILISER CET APPAREIL - SINON, IL Y A UN RISQUE DE BLESSURE CORPORELLE OU DE DOMMAGE MATÉRIEL.

ACCESSOIRES

Plusieurs types d'humidificateurs, de tubes à oxygène, de canules et de masques peuvent être utilisés avec cet appareil. Contacter le prestataire de soins médicaux à domicile local pour connaître les instruments recommandés au cas particulier. Il renseignera également l'utilisateur sur les méthodes d'utilisation, de maintenance et de nettoyage appropriées.

⚠ MISE EN GARDE POUR LES ACCESSOIRES

Les produits Invacare ont été spécifiquement conçus et fabriqués pour être utilisés conjointement avec les accessoires Invacare. Les accessoires conçus par d'autres fabricants n'ont pas été testés par Invacare et il n'est pas recommandé de les utiliser avec les produits Invacare.

REMARQUE : Des mises à jour de ce manuel sont disponibles sur www.invacare.fr.

TABLE DES MATIÈRES

REMARQUES SPÉCIALES	36
INFORMATIONS RELATIVES AU RECYCLAGE ..	37
SECTION 1—PRÉSENTATION GLOBALE	38
Entretien.....	40
Interférence radioélectrique.....	40
Pour réduire le risque de brûlures, d'électrocution, d'incendie ou de dommages corporels.....	41
Concentration d'oxygène.....	42
SECTION 2—CARACTÉRISTIQUES	43
SECTION 3—EXPÉDITION ET MANIPULATION .	44
Déballage.....	44
Contrôle	44
Rangement.....	45
SECTION 4—PARAMÈTRES TYPES DU PRODUIT	46
SECTION 5—CONSIGNES D'UTILISATION	51
Introduction	51
Choisir Un Endroit.....	51
Recommandations pour garantir des performances optimales	52
Brancher le cordon électrique.....	53
Raccorder l'humidificateur (Si cela a été recommandé).....	53
Interrupteur	55
Débit	56
Indicateurs de pureté de l'oxygène SensO ₂ (Modèle de capteur d'oxygène LX)	57
Voyants (modèle LX).....	58
Alarme de perte d'alimentation.....	58
Compteur horaire.....	58
SECTION 6—MAINTENANCE	59
Maintenance de routine.....	59
SECTION 7—GUIDE DE DÉPANNAGE	62
GARANTIE LIMITÉE	65

REMARQUES SPÉCIALES

Des mots d'alerte sont utilisés dans ce manuel et s'appliquent aux pratiques à risque ou dangereuses pouvant entraîner des blessures corporelles ou des dégâts matériels. Se reporter au tableau suivant pour les définitions des mots-indicateurs.

MOTS-INDICATEUR	DÉFINITION
DANGER	Danger indique une situation dangereuse imminente qui, si elle n'est pas évitée, peut entraîner de graves blessures.
MISE EN GARDE	Mise en garde indique une situation potentiellement dangereuse qui, si elle n'est pas évitée, peut entraîner de graves blessures.
ATTENTION	Attention indique une situation potentiellement risquée qui, si elle n'est pas évitée, peut entraîner des dégâts personnels ou des lésions mineures.

AVIS

Les informations contenues dans ce document sont susceptibles d'être modifiées sans préavis.

DANGER

NE FUMEZ PAS pendant l'utilisation de cet appareil. Conservez allumettes, cigarettes allumées ou autres sources d'ignition en dehors de la pièce dans laquelle se trouve cet appareil et éloignées de l'endroit où de l'oxygène est distribué.

Des panneaux **INTERDIT DE FUMER** doivent être exposés bien en vue. Les textiles et autres matériaux qui ne brûleraient pas dans des conditions normales s'enflamment facilement et brûlent avec une grande intensité dans un endroit où l'air est enrichi en oxygène. Le non-respect de cette mise en garde peut entraîner un incendie et des dégâts matériels graves, ou provoquer des blessures corporelles voire la mort.

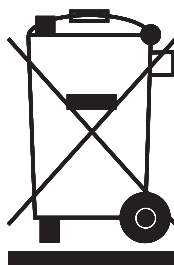
INFORMATIONS RELATIVES AU RECYCLAGE

Ce produit a été fabriqué dans un environnement de fabrication soucieux de l'environnement et conforme à la directive 2002/96/CE sur la mise au rebut des équipements électroniques et électriques WEEE.

Ce produit est susceptible de contenir des substances potentiellement nocives à l'environnement s'il est mis au rebut dans des endroits (décharges) non conformes à la législation en vigueur.

Le symbole « poubelle barrée » apposée sur ce produit est destinée à encourager son recyclage dans les structures de collecte appropriées.

L'utilisateur doit montrer sa responsabilité envers l'environnement et confier ce produit en fin de vie à un centre de recyclage.



SECTION I — PRÉSENTATION GLOBALE

⚠ MISE EN GARDE

La **SECTION I - DIRECTIVES GÉNÉRALES** contient des informations importantes sur le fonctionnement et l'utilisation corrects de ce produit.

Pour garantir l'installation, l'assemblage et le fonctionnement du concentrateur Platinum, il convient de respecter ces instructions **IMPÉRATIVEMENT**.

ATTENTION

« Attention : Conformément à certaines lois, cet appareil ne peut être vendu que par un médecin ou sur son ordonnance, ou par tout autre praticien agréé sur le lieu d'exercice. »

⚠ DANGER

Risque d'électrocution. **NE PAS démonter**. Confier toute réparation à un personnel qualifié pour les réparations.

⚠ MISES EN GARDE

L'utilisation de l'oxygénothérapie nécessite des précautions particulières pour réduire le risque d'incendie. Les substances qui brûlent, ou non, au contact de l'air, sont facilement inflammables et brûlent rapidement à fortes concentrations d'oxygène. Pour des raisons de sécurité, toutes les sources d'inflammation doivent être tenues à l'écart du produit et de préférence hors de la pièce dans laquelle il est utilisé. Des panneaux INTERDIT DE FUMER doivent être exposés bien en vue.

Une inflammation spontanée et violente peut se produire si de l'huile, de la graisse ou des substances grasses entrent en contact avec l'oxygène sous pression. Ces substances DOIVENT être tenues à l'écart du concentrateur d'oxygène, des tubes et connexions, et de tout matériel d'oxygénation en général. NE PAS utiliser de lubrifiants sauf en cas de recommandations par Invacare.

Pour des performances optimales, Invacare recommande de mettre sous tension et d'utiliser chaque concentrateur pendant au moins 30 minutes. Des périodes de fonctionnement plus courtes peuvent réduire la durée de vie maximale de l'appareil.

Si le cordon ou la prise du concentrateur est endommagé, s'il ne fonctionne pas correctement, s'il heurte le sol, s'il est endommagé ou plongé dans l'eau, l'appareil doit être renvoyé à un technicien qualifié pour être inspecté et réparé.

Ne pas placer les tubes à oxygène, le cordon de raccordement ou l'appareil à proximité de surfaces chauffées ou chaudes (poêle à gaz, couverture chauffante, cuisinière ou autre appareil électrique similaire).

NE PAS déplacer ou repositionner le concentrateur en tirant sur le cordon.

⚠ MISES EN GARDE

Ne JAMAIS laisser tomber ou insérer un objet dans une ouverture.

NE JAMAIS bloquer les ouvertures d'air de l'appareil ni le placer sur une surface molle, un lit ou un canapé par exemple, pour ne pas bloquer les ouvertures d'air. Éloigner les peluches, cheveux et textures similaires des ouvertures d'air.

Remplir l'humidificateur d'eau jusqu'au niveau indiqué par le fabricant. NE PAS dépasser le niveau.

Tenir l'appareil éloigné des murs, rideaux, mobilier et autres d'au moins 7,5 cm.

Invacare recommande d'utiliser avec ce produit une lunette à oxygène indéformable (fournie par Invacare) ne dépassant PAS 15,2 m de long. Pour Platinum 9, il est recommandé d'utiliser un tube à haut débit d'une longueur maximale de 15 m.

Entretien

Le concentrateur d'oxygène Invacare a été spécialement conçu pour prévoir la maintenance préventive une fois par an. Seuls les professionnels de la santé bien familiarisés avec ce processus, et notamment les personnels agréés ou formés par l'usine doivent assurer la maintenance préventive ou les réglages de performance sur le concentrateur d'oxygène.

Interférence radioélectrique

La plupart des équipements électroniques sont influencés par des parasites radioélectriques (RFI). Faire preuve de prudence en utilisant des appareils de télécommunications portables à proximité de ce type d'appareils.

Pour réduire le risque de brûlures, d'électrocution, d'incendie ou de dommages corporels

Ne jamais utiliser l'appareil en prenant un bain. Si une utilisation continue est requise par le médecin :

Le concentrateur doit être placé dans une autre pièce, à au moins 2,1 mètres de la baignoire.

NE PAS toucher le compresseur en étant mouillé.

Ne **JAMAIS** laisser l'appareil sans surveillance lorsqu'il est branché.

NE PAS placer ou ranger l'appareil à proximité de l'eau ou d'un autre liquide.

NE JAMAIS tenter de reprendre l'appareil s'il tombe dans l'eau. Débrancher **IMMÉDIATEMENT**.

Cet appareil ne doit être utilisé que sur prescription médicale et conformément à ce manuel d'utilisation. Si à un moment donné le patient ou l'assistant pense que le patient ne reçoit pas suffisamment d'oxygène, il doit avertir **IMMÉDIATEMENT** le fournisseur et/ou le médecin. Aucun ajustement du débit ne doit être effectué sans prescription médicale.

Une supervision rapprochée est nécessaire lorsque ce produit est utilisé par ou à proximité des enfants ou des individus souffrant de handicaps physiques.

Utiliser ce produit exclusivement pour l'usage prévu décrit dans ce manuel.

NE PAS brancher le concentrateur en parallèle ou en série avec d'autres concentrateurs d'oxygène ou appareils d'oxygénothérapie.

L'utilisation de certains accessoires d'administration ou d'humidificateurs non spécifiés pour le concentrateur d'oxygène est susceptible d'affecter les performances.

L'oxygénothérapie est dangereuse dans certaines circonstances. Invacare recommande de demander l'avis d'un médecin avant d'utiliser cette machine.

Ce matériel doit être utilisé pour assurer un complément d'oxygène et non pour servir d'appareil de réanimation et de maintien des fonctions vitales.

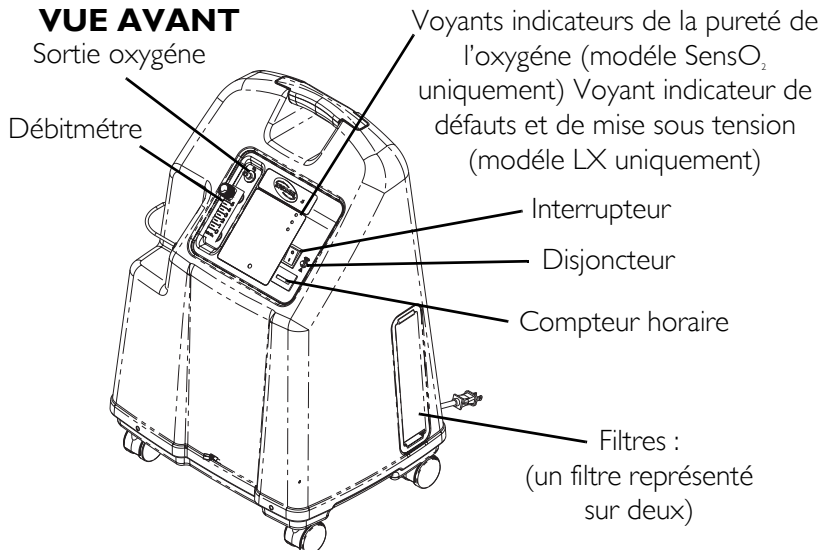
Éviter de provoquer des étincelles à proximité de l'appareil médical d'oxygénation. Cela inclut les étincelles d'électricité statique provoquées par des frictions.

Concentration d'oxygène

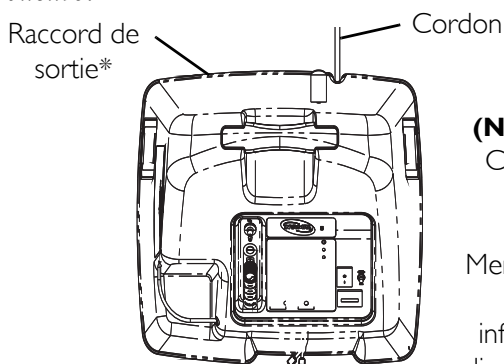
Veiller à ne pas régler le débit au-dessus de l'anneau ROUGE. Un débit d'oxygène supérieur à 5 l/min (IRC5LXO2AW, IRC5LXAW, IRC5LXO2AWQ) et à 9 l/min (IRC9LXO2AWQ) entraîne une diminution de la concentration en oxygène.

SECTION 2—CARACTÉRISTIQUES

VUE AVANT



**REMARQUE : Ce raccord de sortie ne doit être utilisé que pour remplir les bouteilles d'oxygène avec le compresseur HomeFill. Le raccord de sortie n'affecte pas la performance du concentrateur. Se référer au manuel d'utilisation HomeFill, référence 1145804, pour les instructions de raccordement et d'utilisation. L'obturateur fourni avec le concentrateur doit être introduit dans le raccord de sortie lorsqu'il n'est pas utilisé. Pour obtenir de plus amples informations sur le HomeFill, prendre contact avec le distributeur Invacare.*



VUE DE HAUT

**ACCESSOIRES
(NON REPRÉSENTÉS) :**
Compresseur d'oxygène
HomeFill

Merci de contacter Invacare
France pour toute
information concernant la
disponibilité des accessoires.

SECTION 3—EXPÉDITION ET MANIPULATION

REMARQUE : Pour cette procédure, se reporter à la FIGURE 3.1

Avant d'installer et d'utiliser le concentrateur, se reporter au manuel d'utilisation du modèle Platinum.

Le concentrateur Platinum doit TOUJOURS être maintenu en position verticale afin de ne pas endommager le coffret lors du transport. Son conteneur d'expédition a été conçu pour assurer la protection maximale du concentrateur.

Si le concentrateur doit être réexpédié par un transporteur commercial, il doit être placé dans un nouvel emballage. D'autres emballages sont disponibles auprès d'Invacare.

Le système de suspension du compresseur à air a été conçu pour supporter des mouvements et des orientations brusques.

Déballage

1. Contrôler tout dommage évident du carton ou de son contenu. Si le dommage est évident, aviser le transporteur ou Invacare.
2. Retirer toutes les garnitures des cartons.
3. Retirer soigneusement tous les éléments du carton.

REMARQUE : Conserver le carton et autres éléments d'emballage pour ranger le concentrateur Platinum.

Contrôle

1. Examiner l'extérieur du concentrateur d'oxygène pour repérer d'éventuelles rayures, bosses, éraflures ou autres dommages. Contrôler tous les éléments.

Rangement

1. Ranger le concentrateur d'oxygène réemballé dans un endroit sec.
2. NE PAS placer d'autres objets au-dessus du concentrateur d'oxygène remis dans son emballage.

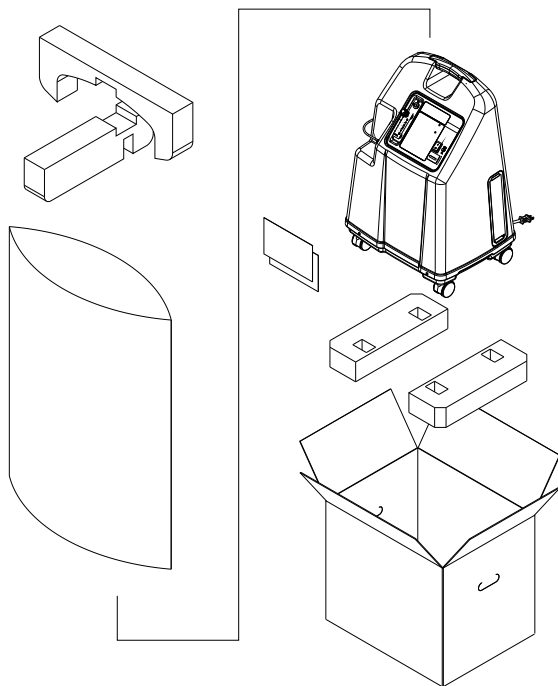









FIGURE 3.1 Déballage

SECTION 4—PARAMÈTRES TYPES DU PRODUIT

Liste des réglementations :	EN/IEC 60601-1
	Courant alternatif
	Équipement Type BF
	En marche
	À l'arrêt
	Attention - Consulter la documentation d'accompagnement
	INTERDICTION DE FUMER
	Class II, Double isolation

Caractéristiques électriques :	230 V c.a. \pm 10 % (253 V c.a./207 V c.a.), 50 Hz
Consommation de courant nominal :	1,4 A (IRC5LXO2AWQ)
	2,0 A (IRC5LXAW, IRC5LXO2AW)
	2,3 A (IRC9LXO2AWQ)
Niveau sonore :	39,5 dB en moyenne (IRC5LXO2AWQ)
	44 dB en moyenne (IRC5LXAW, IRC5LXO2AW)
	50 dB en moyenne (IRC9LXO2AWQ)
Altitude :	IRC5LXAW, IRC5LXO2AW, IRC5LXO2AWQ Jusqu'à 1 828 mètres au-dessus du niveau de la mer sans dégradation des niveaux de concentration. UTILISATION NON RECOMMANDÉE AU-DELÀ DE 1 828 mètres

SECTION 4—PARAMÈTRES TYPES DU PRODUIT

Altitude :	IRC9LXO2AWQ - Jusqu'à 1 230 m au-dessus du niveau de la mer sans diminution des taux de concentration. De 1 230 m à 4 000 m, le taux d'efficacité est inférieur à 90 %.
*Sortie d'oxygène Niveaux de concentration : Tous les modèles 5LXO2AWQ/5LXAW/ 5LXO2AW/9LXO2AWQ * (Les niveaux de concentration indiqués ont été obtenus après une période de chauffe initiale d'environ 30 minutes).	IRC5LXAW, IRC5LXO2AWQ, IRC5LXO2AWQ 93 % minimum de 1 à 3 L/mn 91 % minimum à 4 L/mn 87 % minimum à 5 L/mn (débit maximum recommandé) IRC9LXO2AWQ 92% minimum de 1 à 2 L/min 91% minimum à 8 L/min 87% minimum à 9 L/min 93% minimum de 3 à 7 L/min
Pression de sortie maximale :	IRC5LXAW, IRC5LXO2AW, IRC5LXO2AWQ 34,5 ± 3,45 kPa (5 ± 0,5 psi)
	IRC9LXO2AWQ 62.0 kPa ± 3.45 kPa (9 ± 0.5 psi)
Plage de débit :	IRC5LXAW, IRC5LXO2AWQ, IRC5LXO2AWQ - 0,5 à 5 L/mn. Des débits inférieurs à 1 L/mn ne sont pas recommandés
	IRC9LXO2AWQ - De 1 à 9 l/min, il est déconseillé d'utiliser un débit inférieur à 1 l/min.
Alarme de baisse de débit :	0 L/mn à 0,5 L/mn alarme sonore rapide (pas d'accessoires reliés).
Consommation électrique moyenne :	(IRC5LXO2AWQ) 300 W 280 W @ ≤ 3 L/min
	(IRC5LXO2AW) 365 W 340 W @ ≤ 3 L/min
	380 W (IRC5LXAW)
	460 W (IRC9LXO2AWQ)
Mécanisme de décompression fonctionnant à :	24 l kPa ± 24,1 kPa (35 psi ± 3,5 psi)



SECTION 4—PARAMÈTRES TYPES DU PRODUIT

Modification du débit maximal recommandé lorsqu'une contre-pression de 7 kPa est appliquée :	0,7 L/mn
Filtres :	Appareil (2), sortie HEPA et entrée du compresseur.
Système de sécurité :	<p>Arrêt en cas de surcharge de courant ou de surtension.</p> <p>Arrêt du compresseur en cas de température élevée.</p> <p>Alarme haute pression avec arrêt du compresseur.</p> <p>Alarme basse pression avec arrêt du compresseur.</p> <p>Alerte de perte d'alimentation auxiliaire.</p> <p>Alarme de débit faible du système d'oxygène SensO₂ (modèle SensO₂).</p>
Largeur :	46,7 cm ± 1 cm
Hauteur :	67,0 cm ± 1 cm
Profondeur :	36,5 cm ± 1 cm
Poids :	<p>IRC5LXAW, IRC5LXO2AWQ, IRC5LXO2AWQ - 23,6 kg ± 1 kg</p> <p>IRC9LXO2AWQ - 24,0 kg ± 1 kg</p>
Poids d'expédition :	<p>IRC5LXAW, IRC5LXO2AWQ, IRC5LXO2AWQ - 26,8 kg ± 1 kg</p> <p>IRC9LXO2AWQ - 27,2 kg ± 1 kg</p>
Température ambiante de fonctionnement :	10°C – 35 °C à une humidité relative de 20 à 60 %
Échappement :	Inférieur à la température ambiante +19 °C.
Sortie d'oxygène :	Inférieure à la température ambiante + 2 °C.
Appareil :	Coffret en plastique ininflammable anti-chocs compatible avec UL 94-V0


SECTION 4—PARAMÈTRES TYPES DU PRODUIT

Liste des réglementations :	<p>Modèles IRC5LXAW/IRC5LXO2AW/ IRC5LXO2AWQ/IRC9LXO2AWQ</p> <p>Testé par ETL en conformité avec: EN55011 EN61000-3-2 EN61000-3-3 IEC 60601-1, A1, A2 IEC 60601-1-2</p> <p>Uniquement modèle IRC5LXO2AW, IRC5LXO2AWQ, IRC9LXO2AWQ ISO 8359 MDD</p>
Modèles CE :	IRC5LXO2AW, IRC5LXO2AWQ, IRC9LXO2AWQ
Électricité :	Pas de rallonge.
Positionnement :	À au moins 7,5 cm des murs, mobiliers, rideaux ou surfaces similaires.
Lunette à oxygène :	IRC5LXAW, IRC5LXO2AWQ IRC5LXO2AWQ Canule de 2,1 mètres indéformable de 15,2 m max. (NE PAS PINCER).
	IRC9LXO2AWQ - il est recommandé d'utiliser un tube à haut débit (longueur maximale de 15 m) avec canule à haut débit et ce, quel que soit le débit.
Humidité relative :	20 à 60 %
Durée de fonctionnement :	Jusqu'à 24 heures par jour
Température recommandée pour le stockage et l'expédition :	-29 °C à 65 °C, à une humidité relative de 15 à 95 %.

INDICATEURS DU CAPTEUR D'OXYGÈNE

SYMBOLE FIGURANT SUR L'ÉTIQUETTE	ÉTAT	VOYANTS LUMINEUX (DEL)
O ₂	SYSTÈME CORRECT O ₂ au-dessus de 85 % (± 2 %)	Voyant lumineux VERT
	O ₂ entre 73 % (± 3 %) et 85 % (± 2 %)	Voyant lumineux JAUNE A. Jaune fixe B. Jaune clignotant Échec du capteur Appeler un technicien qualifié
	ÉCHEC SYSTÈME O ₂ au-dessous de 73 % (± 3 %)	Voyant lumineux ROUGE Se reporter à <u>Guide de dépannage</u> page 62.

INDICATEURS LX

SYMBOLE FIGURANT SUR L'ÉTIQUETTE	ÉTAT	VOYANTS LUMINEUX (DEL)
I/O	SYSTÈME CORRECT	Voyant lumineux VERT
	ÉCHEC SYSTÈME	Voyant lumineux ROUGE Alarme sonore continue Arrêt du compresseur Sieve-GARD™ Appeler un technicien qualifié

SECTION 5—CONSIGNES D'UTILISATION

Introduction

Ce concentrateur d'oxygène est destiné à une utilisation individuelle à domicile. C'est un appareil qui sépare de façon électronique l'oxygène de l'air de la pièce. Il délivre une forte concentration d'oxygène par une canule nasale. Des études cliniques ont montré que les concentrateurs d'oxygène sont équivalents en matière de thérapie à d'autres types de système de délivrance d'oxygène.

Le prestataire démontrera comment utiliser le concentrateur d'oxygène. Il doit être consulté pour toutes questions ou problèmes posés par le concentrateur d'oxygène. Ce manuel d'utilisation explique le fonctionnement du concentrateur d'oxygène et servira de référence lors de l'utilisation de ce matériel.

Choisir Un Endroit

Choisir une pièce dans la maison où l'utilisation du concentrateur d'oxygène sera la plus pratique. Le concentrateur doit pouvoir être facilement déplacé de pièce en pièce sur ses roulettes.

Il assurera le meilleur fonctionnement s'il est utilisé dans les conditions suivantes. Une utilisation dans un environnement autre que celui décrit pourrait nécessiter une maintenance supplémentaire. L'admission d'air de l'appareil doit être située dans un endroit bien ventilé pour éviter les polluants atmosphériques et / ou les fumées.

Recommandations pour garantir des performances optimales

Température :	10 à 35 °C
Électricité :	Pas de rallonge
Positionnement :	À au moins 7,5 cm des murs, mobiliers, rideaux ou surfaces similaires.
Lunette à oxygène :	IRC5LXAW, IRC5LXO2AW, IRC5LXO2AWQ - Canule de 2,1 mètres indéformable de 15,2 mètres max. (NE PAS PINCER).
	IRC9LXO2AWQ - il est recommandé d'utiliser un tube à haut débit (longueur maximale de 15 m) avec canule à haut débit et ce, quel que soit le débit.
Environnement :	Sans fumée ni suie. Pas d'espaces confinés (exemple : pas de placards).
Humidité relative :	20 à 60 %
Durée de fonctionnement :	Jusqu'à 24 heures par jour.
Débit :	IRC5LXAW, IRC5LXO2AW, IRC5LXO2AWQ - Entre 0,5 l/mn et 5 l/mn. Des débits inférieurs à 1
	IRC9LXO2AWQ De 1 à 9 l/min, il est déconseillé d'utiliser un débit inférieur à 1 l/min.
Durée de fonctionnement minimum :	30 minutes

REMARQUE : S'assurer que le concentrateur est placé à au moins 7,5 cm des murs, rideaux ou meubles pour assurer un passage d'air suffisant. Éviter les moquettes épaisses et les appareils de chauffage, radiateurs ou registres d'air chaud.

Brancher le cordon électrique

1. Brancher le cordon dans une prise électrique.

Raccorder l'humidificateur (Si cela a été recommandé)

REMARQUE : Pour cette procédure, se reporter à la FIGURE 5.1 page 53, FIGURE 5.2 page 53 FIGURE 5.3 page 54 et FIGURE 5.4 page 55.

1. Remplir l'humidificateur d'eau distillée jusqu'au niveau indiqué par le fabricant. Contacter Invacare pour les recommandations.

⚠ MISE EN GARDE

NE PAS TROP remplir l'humidificateur.

Remettre le bouchon de l'humidificateur et bien le fermer.

NE PAS inverser les connexions entrée et sortie d'oxygène. L'eau provenant de l'humidificateur repassera par la canule jusqu'à l'utilisateur.

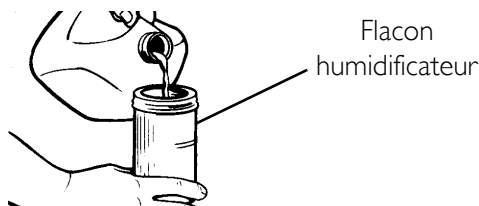


FIGURE 5.1 Remplissage de l'humidificateur

2. Placer l'humidificateur dans son compartiment.

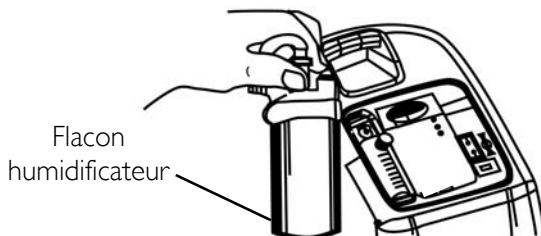


FIGURE 5.2 Compartiment de l'humidificateur

3. Retirer la trappe d'accès au filtre située sur le côté du concentrateur. Insérer un tournevis à tête plate dans la rainure plaque sur le bord supérieur de la trappe d'accès et soulever délicatement la porte d'accès du filtre pour ouvrir la trappe. Se reporter au détail « A » dans FIGURE 5.3.
4. L'adaptateur de l'humidificateur se trouve près du filtre d'entrée. Retirer l'adaptateur de l'humidificateur. Se reporter au Détail « B » dans la FIGURE 5.3.
5. Le fixer à l'humidificateur en tournant l'écrou papillon sur le flacon de l'humidificateur dans le sens contraire des aiguilles d'une montre jusqu'à ce qu'il soit bien fixé. Se reporter à Détail « C » dans la FIGURE 5.3.

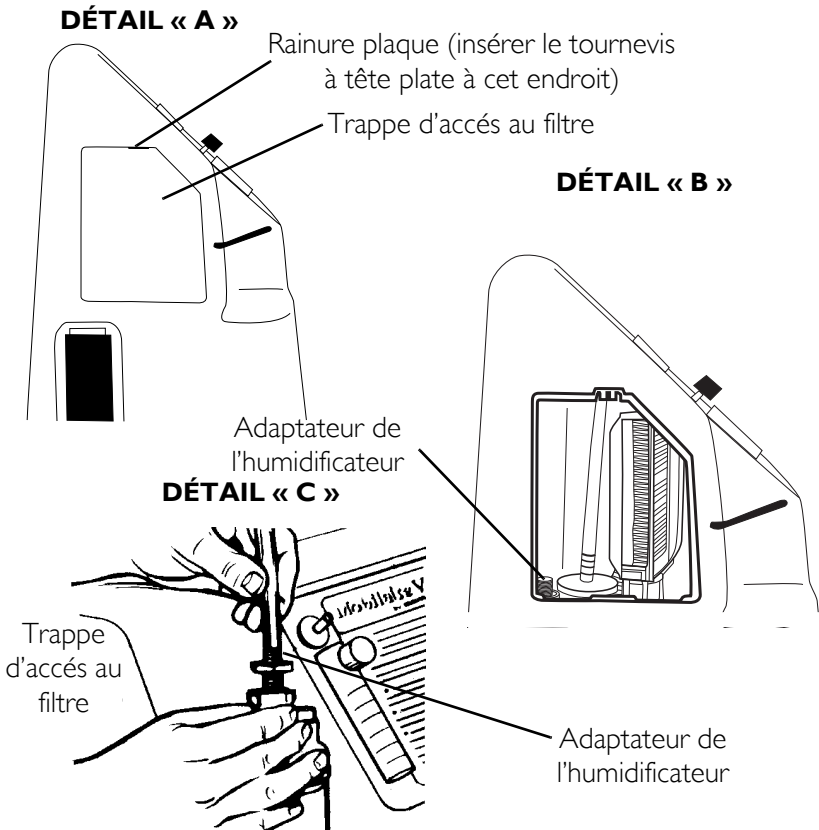


FIGURE 5.3 Fixer l'adaptateur de l'humidificateur

6. Fixer le tube à oxygène du flacon de l'humidificateur à la sortie d'oxygène sur le concentrateur à oxygène.

7. Fixer la canule / le tube d'alimentation du patient à la sortie du flacon de l'humidificateur.
8. Après montage, s'assurer que l'oxygène passe bien par la canule.
9. Remettre la trappe d'accès au filtre qui se situe sur le côté du concentrateur ; la rainure plaque doit émettre un déclic.

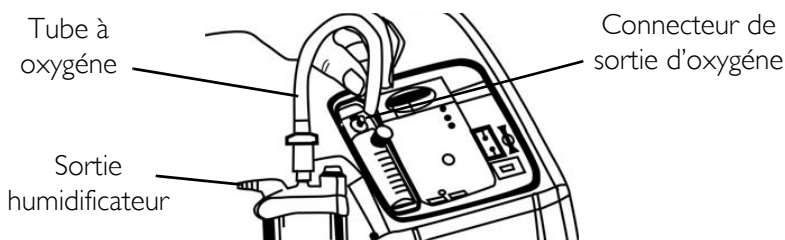


FIGURE 5.4 Fixation du tube à oxygène

⚠ MISE EN GARDE

Pour des performances optimales, Invacare recommande de mettre sous tension et d'utiliser chaque concentrateur pendant au moins 30 minutes. Des périodes de fonctionnement plus courtes peuvent réduire la durée de vie maximale de l'appareil.

Interrupteur

REMARQUE : Pour cette procédure, se reporter à la FIGURE 5.5.

1. Mettre l'interrupteur sur la position MARCHÉ. Tous les voyants lumineux et l'alarme sonore s'allument pendant une seconde pour indiquer que l'appareil fonctionne normalement.

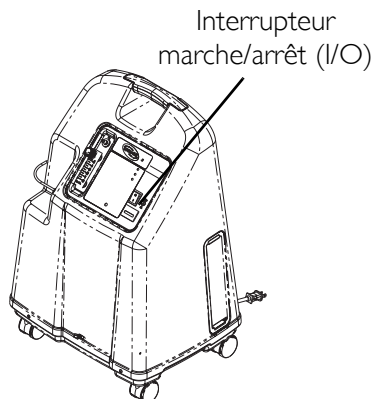


FIGURE 5.5 Interrupteur

Débit

REMARQUE : Pour cette procédure, se reporter à la FIGURE 5.6.

1. Tourner le bouton de débit sur le réglage recommandé par le médecin.

⚠ MISE EN GARDE

NE PAS modifier le réglage L/mn du débitmètre tant qu'un changement n'a pas été demandé par le médecin.

REMARQUE : Pour bien lire le débitmètre, repérer le trait de débit recommandée. Tourner ensuite le bouton de débit de façon à voir la bille monter jusqu'au trait. Maintenant, centrer la bille sur le trait L/mn recommandé.

2. Si le débit indiqué par le débitmètre chute au-dessous de 0,5 L/mn pendant plus d'une minute environ, l'ALARME DE DÉBIT MINIMUM se déclenche. L'alarme sonore émet des signaux rapides. Contrôler le tube ou les accessoires pour repérer tout blocage ou pincement du tube ou un défaut de l'humidificateur. Une fois le débit normal rétabli, à savoir plus de 0,5 L/mn, l'alarme sonore de DEBIT MINIMUM s'arrête.

REMARQUE : L'utilisation d'accessoires tels que le débitmètre pédiatrique et le compresseur HomeFill désactive l'alarme de baisse de débit.

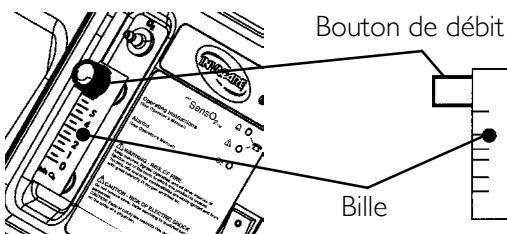


FIGURE 5.6 Débit

Indicateurs de pureté de l'oxygène SensO₂ (Modèle de capteur d'oxygène LX)

Ce dispositif contrôle la pureté de l'oxygène généré par le concentrateur d'oxygène. Si la pureté tombe au-dessous des normes préréglées à l'usine, les voyants du tableau de contrôle s'allument.

Mise en marche initiale du concentrateur

REMARQUE : Le concentrateur peut être utilisé pendant la durée de chauffe du démarrage initial (environ 30 mn) en attendant que le voyant de pureté O₂ vert s'allume.

Lorsque l'appareil est mis en marche, le voyant VERT s'allume (Système correct/O₂ supérieur à 85 %). Après 5 minutes, le capteur d'oxygène fonctionne normalement et commande les voyants lumineux en fonction de la concentration d'oxygène définie.

Explication des voyants de pureté de l'oxygène

REMARQUE : Pour cette procédure, se reporter à la FIGURE 5.7.

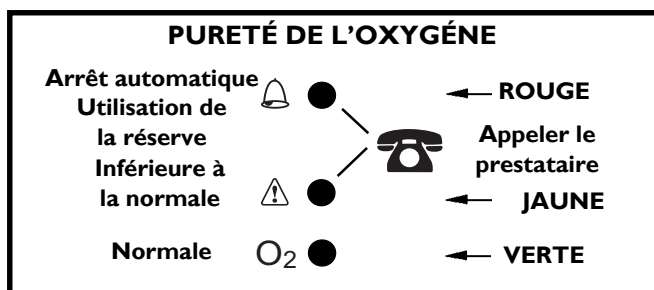



FIGURE 5.7 Indicateurs de pureté de l'oxygène SensO₂ (Modèle de capteur d'oxygène LX)

Voyant VERT (O₂) - Fonctionnement normal

Voyant JAUNE () - Appeler IMMÉDIATEMENT le prestataire. Le patient peut continuer à utiliser le concentrateur sauf instructions contraires de la part du prestataire. S'assurer que la réserve d'oxygène est à proximité.

Voyant ROUGE (⚠) - Arrêt total de l'appareil. Passer IMMÉDIATEMENT à l'alimentation en oxygène de réserve. Appeler IMMÉDIATEMENT le prestataire (FIGURE 5.7).

Voyant VERT - avec clignotement du voyant JAUNE – Appeler IMMÉDIATEMENT le prestataire. Mauvais fonctionnement du capteur d'oxygène ; le patient peut continuer d'utiliser le concentrateur (FIGURE 5.7).

Voyants (modèle LX)

REMARQUE : Pour cette procédure, se reporter à la FIGURE 5.8.

Description des voyants lumineux des modèles LX

Voyant ROUGE (⚠) - Arrêt total de l'appareil. Passer IMMÉDIATEMENT à une alimentation en oxygène de réserve. Appeler IMMÉDIATEMENT le prestataire.

Voyant VERT (I/O) - Marche/arrêt. Système correct.

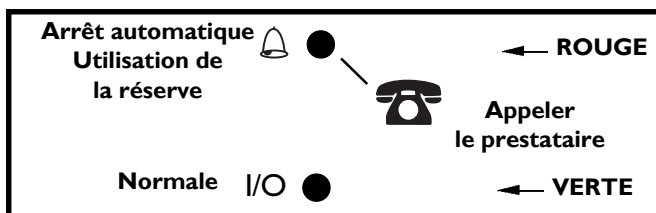


FIGURE 5.8 Voyants (modèle LX)

Alarme de perte d'alimentation

Le système d'alarme ne contenant aucune batterie, il ne nécessite aucune maintenance. Il est alimenté par un condensateur chargé en continu et déclenche l'alarme dès la perte du courant.

Compteur horaire

Le compteur horaire indique la période de fonctionnement de l'appareil en heures.

SECTION 6—MAINTENANCE

REMARQUE : Les concentrateurs Invacare sont spécialement conçus pour minimiser les opérations de maintenance préventive de routine. Une maintenance plus fréquente est parfois nécessaire sur les sites très poussiéreux ou impliquant des niveaux de suies élevés. Seuls les techniciens agréés ou spécialement formés en usine sont autorisés à effectuer la maintenance préventive du concentrateur. Débrancher la source d'alimentation avant toute opération de maintenance préventive sur le concentrateur Invacare.

REMARQUE : La maintenance préventive DOIT être effectuée au minimum conformément aux instructions du carnet de maintenance. Se reporter à Registre de maintenance préventive du concentrateur d'oxygène Platinum Invacare page 61.

Maintenance de routine

REMARQUE : Les opérations de maintenance de routine suivantes doivent être effectuées plus fréquemment. Voir les intervalles recommandés dans chaque section et dans le carnet de maintenance préventive.

Nettoyage des filtres

REMARQUE : Pour cette procédure, se reporter à la FIGURE 6.1 page 60.

ATTENTION

NE PAS FAIRE fonctionner le concentrateur si les filtres ne sont pas installés.

REMARQUE : Un filtre se trouve de chaque côté du coffret du concentrateur.

1. Retirer chaque filtre et le nettoyer au moins une fois par semaine selon les conditions ambiantes.

REMARQUE : Certaines conditions ambiantes nécessitent un nettoyage plus fréquent des filtres, notamment : les environnements chargés en poussière, fumée, polluants atmosphériques etc.

2. Nettoyer les filtres à l'aspirateur ou à l'eau chaude savonneuse et les rincer soigneusement.
3. Sécher soigneusement les filtres avant de les réinstaller.

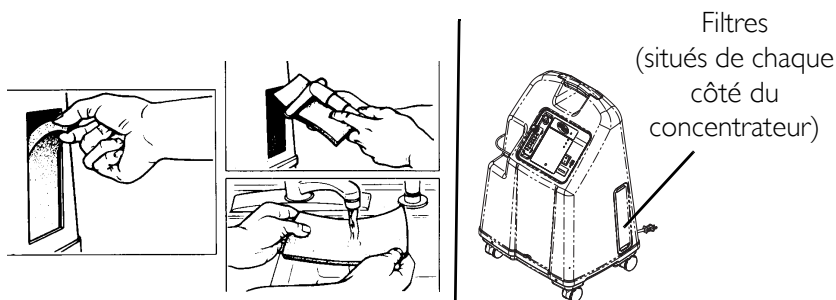


FIGURE 6.1 Nettoyage des filtres

Appareil

⚠ MISE EN GARDE

Débrancher le concentrateur lors du nettoyage. Pour éviter les risques d'électrocution, NE PAS retirer l'appareil.

1. Nettoyer l'appareil avec un produit nettoyant doux et un chiffon ou une éponge douce.

Humidificateur

REMARQUE : Pour nettoyer l'humidificateur d'oxygène, suivre les instructions fournies par le fabricant. Sinon, suivre ces étapes :

1. Nettoyer l'humidificateur tous les jours.
2. Le laver à l'eau savonneuse et le rincer avec une solution de dix (10) volumes d'eau pour un (1) de vinaigre.
3. Le rincer soigneusement à l'eau chaude et le remplir d'eau distillée jusqu'au niveau indiqué sur l'humidificateur.

⚠ MISE EN GARDE

NE PAS TROP remplir le flacon de l'humidificateur.



RAPPORT DE MAINTENANCE PRÉVENTIVE

À CHAQUE CONTRÔLE

MODÈL N° IRC _____ NUMÉRO DE SÉRIE _____

Yes, you can:

Enregistrer la date d'entretien																				
Enregistrer les heures écoulées sur le compteur horaire																				
Nettoyer le filtre																				
Vérifier le débit prescrit en l/min																				
CHAQUE 4 380 HEURES																				
Contrôler la concentration d'oxygène (UNITÉS SANS SensO ₂)																				
TOUS LES 26 280 HEURES OU LES 3 ANS, CELUI QUI SE PRODUIT EN PREMIER																				
Contrôler la concentration d'oxygène (UNITÉS AVEC SensO ₂)																				
DANS LE CADRE DU PROGRAMME DE MAINTENANCE PRÉVENTIVE OU ENTRE PATIENTS																				
Nettoyer/Remplacer le filtre du caisson																				
Contrôler le filtre HEPA, sortie*																				
Vérifiez le filtre d'admission du compresseur																				
Contrôler l'alarme de perte d'alimentation																				
SELON LE BESOIN																				
Nettoyer l'échangeur thermique																				
Remplacer le silencieux d'échappement																				
Remontez la partie supérieure du compresseur																				

FIGURE 6.2 Registre de maintenance préventive du concentrateur d'oxygène Platinum Invacare

*REMARQUE : Se reporter à la section Maintenance préventive du manuel d'entretien.

REMARQUE : 4 380 heures sont équivalentes à une utilisation pendant 24 heures, sept jours par semaine pendant 6 mois. 26 280 heures sont équivalentes à une utilisation pendant 24 heures, sept jours par semaine pendant 3 mois.

SECTION 7—GUIDE DE DÉPANNAGE

SYMPTÔME :	CAUSE PROBABLE :	SOLUTION :
Alarme :	Perte d'alimentation principale :	
Bips sonores, courts, longue	1. Le cordon n'est PAS branché.	1. Insérer la fiche dans la prise.
Le concentrateur ne fonctionne pas, positionner l'interrupteur sur marche.	2. Pas de courant à la sortie.	2. Contrôler le disjoncteur ou les fusibles. Si le problème se produit de nouveau, utiliser une autre prise.
Bip....Bip....	3. Disjoncteur déclenché.	3. Appeler le service après-vente.
Alarme : Continue	Défaillance du système :	1a. Retirer les filtres et les nettoyer.
Le concentrateur ne fonctionne pas. L'interrupteur est sur marche	1. Surchauffe de l'appareil du fait du blocage de l'admission d'air.	1b. Éloigner le concentrateur d'oxygène à au moins 7,5 cm des murs, rideaux ou meubles.
Biiiiiiip.....	2. Puissance insuffisante à la sortie.	2. NE PAS utiliser de rallonge. Passer à une autre circuit ou prise électrique.
	3. Réparations internes requises	3. Appeler le service après-vente.

SYMPTÔME :	CAUSE PROBABLE :	SOLUTION :
<p>Voyant JAUNE ou ROUGE allumé.</p> <p>Alarme : Continue Voyant rouge uniquement.</p> <p>* Ne concerne que les modèles SensO₂.</p>	<p>1. Pureté d'oxygène faible.*</p> <p>2. Tube, canule ou humidificateur coudé ou bloqué.*</p> <p>3. Débitmètre réglé sur 0,5 L/mn ou moins.*</p> <p>4. Surchauffe de l'appareil du fait du blocage de l'admission d'air.</p> <p>5. Puissance insuffisante à la sortie.</p> <p>6. Réparations internes requises.</p>	<p>1. Nettoyer ou remplacer les filtres.</p> <p>2. Contrôler l'absence de coudes ou blocages. Rectifier, nettoyer ou remplacer l'article. Une fois la correction exécutée, mettre hors tension pendant 60 secondes, puis de nouveau sous tension.</p> <p>3. Vérifier que le débitmètre est réglé sur 1,0 L/mn ou plus. (Se reporter à <u>Recommandations pour garantir des performances optimales</u> page 52.</p> <p>4a. Retirer les filtres et les nettoyer.</p> <p>4b. Éloigner le concentrateur à au moins 7,5 cm des murs, rideaux ou meubles.</p> <p>5. NE PAS utiliser de rallonge. Passer à un autre circuit ou prise électrique.</p> <p>6. Appeler le service après-vente.</p>
<p>Voyant VERT avec clignotement voyant JAUNE</p>	<p>1. Réparations internes requises.</p>	<p>1. Appeler le service après-vente.</p>

SYMPTÔME :	CAUSE PROBABLE :	SOLUTION :
<p>Alarme : RAPIDE</p> <p>Bip... Bip... Bip... Bip...</p>	<p>Alarme de baisse de débit</p> <p>1a. Tube, canule ou humidificateur coudé ou bloqué.</p> <p>1b. Débitmètre réglé sur 0,5 L/mn ou moins.</p>	<p>1a. Contrôler l'absence de coudes ou blocages. Rectifier, nettoyer ou remplacer l'article. Une fois la correction exécutée, mettre hors tension pendant 60 secondes, puis mettre de nouveau sous tension.</p> <p>1b. Régler de nouveau le débitmètre sur le débit prescrit. Les débits inférieurs à 1 L/mn ne sont pas recommandés.</p>

GARANTIE LIMITÉE

Belgium & Luxembourg:

Invacare nv, Autobaan 22, B-8210
Loppem
Tel: (32) (0) 50 83 10 10
Fax: (32) (0) 50 83 10 11
belgium@invacare.com

Danmark:

Invacare A/S, Sdr. Ringvej 37, DK-2605
Brøndby
Tel: (45) (0)36 90 00 00
Fax: (45) (0)36 90 00 01
denmark@invacare.com

Deutschland:

Invacare Aquatec GmbH,
Alemannenstraße 10, D-88316 Isny
Tel: (49) (0)75 62 7 00 0
Fax: (49) (0)75 62 7 00 66
info@invacare-aquatec.com

European Distributor Organisation:

Invacare, Kleiststraße 49, D-32457 Porta
Westfalica
Tel: (49) (0)57 31 754 540
Fax: (49) (0)57 31 754 541
edo@invacare.com

España:

Invacare SA, c/Areny s/n, Polígon
Industrial de Celrà, E-17460 Celrà
(Girona)
Tel: (34) (0)972 49 32 00
Fax: (34) (0)972 49 32 20
contactsp@invacare.com

France:

Invacare Poirier SAS, Route de St Roch,
F-37230 Fondettes
Tel: (33) (0)2 47 62 64 66
Fax: (33) (0)2 47 42 12 24
contactfr@invacare.com

Ireland:

Invacare Ireland Ltd, Unit 5 Seatown
Business Campus,
Seatown Road, Swords, County Dublin
– Ireland
Tel: (353) 1 810 7084
Fax: (353) 1 810 7085
ireland@invacare.com

Italia:

Invacare Mecc San s.r.l., Via dei Pini 62,
I-36016 Thiene (VI)
Tel: (39) 0445 38 00 59
Fax: (39) 0445 38 00 34
italia@invacare.com

Nederland:

Invacare BV, Celsiusstraat 46, NL-6716
BZ Ede
Tel: (31) (0)318 695 757
Fax: (31) (0)318 695 758
nederland@invacare.com
csede@invacare.com

Norge:

Invacare AS, Grensesvingen 9, Postboks
6230, Etterstad, N-0603 Oslo
Tel: (47) (0)22 57 95 00
Fax: (47) (0)22 57 95 01
norway@invacare.com
island@invacare.com

Österreich:

Invacare Austria GmbH, Herzog
Odilostrasse 101, A-5310 Mondsee
Tel: (43) 6232 5535 0
Fax: (43) 6232 5535 4
info@invacare-austria.com

Sverige & Suomi:

Invacare AB, Fagerstagatan 9,
S-163 91 Spånga
Tel: (46) (0)8 761 70 90
Fax: (46) (0)8 761 81 08
sweden@invacare.com
finland@invacare.com

Switzerland:

Invacare AG,
Benkenstrasse 260, CH-4108 Witterswil
Tel: (41) (0)61 487 70 80
Fax: (41) (0)61 487 70 81
switzerland@invacare.com

United Kingdom:

Invacare Limited, Pencoed Technology
Park, Pencoed, Bridgend CF35 5HZ
Tel: (44) (0) 1656 776200
Fax: (44) (0) 1656 776201
Customer Services:
Tel: (44) (0) 1656 776222
Fax: (44) (0) 1656 776220
UK@invacare.com

Portugal:

Invacare Lda,
Rua Estrada Velha, 949, P-4465-784 Leça
do Balio
Tel: (351) (0)225 1059 46/47
Fax: (351) (0)225 1057 39
portugal@invacare.com

Platinum™

**Concentratori di ossigeno standard,
con SensO₂® e HomeFill®**

**Modello IRC5LXAW
Modello IRC5LXO2AW
Modello IRC5LXO2AWQ
Modello IRC9LXO2AWQ**

Distributore : consegnare il presente manuale all'utilizzatore finale.

Utilizzatore : prima di usare questo concentratore, leggere questo manuale e conservarlo per ogni futura esigenza.

Per maggiori informazioni relative a prodotti, parti di ricambio e servizi Invacare, visitare il sito www.invacare.com



Yes, you can.®

⚠️ AVVERTENZA

NON UTILIZZARE QUESTO PRODOTTO O QUALSIASI ALTRO APPARECCHIO OPZIONALE DISPONIBILE SENZA AVER PRIMA LETTO PER INTERO E AVER COMPRESO QUESTE ISTRUZIONI ED EVENTUALE ALTRO MATERIALE INFORMATIVO QUALI I MANUALI PER L'UTENTE, I MANUALI DI MANUTENZIONE O I FOGLI DI ISTRUZIONI FORNITI CON QUESTO PRODOTTO O CON L'APPARECCHIO OPZIONALE. SE NON SI COMPRENDONO LE AVVERTENZE, I MESSAGGI DI ATTENZIONE O LE ISTRUZIONI, RIVOLGERSI A UN OPERATORE SANITARIO, RIVENDITORE O TECNICO QUALIFICATO PRIMA DI PROVARE A UTILIZZARE QUESTA APPARECCHIATURA. IN CASO CONTRARIO, POSSONO VERIFICARSI LESIONI O DA.

ACCESSORI

Ci sono diversi tipi di umidificatori, tubi a ossigeno, cannule e maschere da utilizzare con questo dispositivo. Rivolgersi al proprio fornitore di apparecchiature per la cura a domicilio per suggerimenti sui dispositivi più adatti al vostro caso. Vi verranno fornite informazioni sull'utilizzo adeguato, la manutenzione e la pulizia.

⚠️ AVVERTENZA

I prodotti Invacare sono specificamente progettati e fabbricati per essere utilizzati insieme agli accessori Invacare. Gli accessori progettati da altri produttori non sono stati testati da Invacare e pertanto se ne sconsiglia l'utilizzo con i prodotti Invacare.

NOTA: versioni aggiornate di questo manuale sono disponibili sul sito www.invacare.com.

INDICE

NOTE SPECIALI	69
INFORMAZIONI SUL RICICLAGGIO	70
SEZIONE 1—INDICAZIONI GENERALI	71
Manutenzione.....	73
Interferenze a radiofrequenza.....	73
Riduzione del rischio di ustioni, scosse elettriche, incendio o lesioni personali.....	74
Concentrazione di ossigeno.....	75
SEZIONE 2—CARATTERISTICHE	76
SEZIONE 3—SPEDIZIONE E GESTIONE	77
Disimballaggio.....	77
Ispezione.....	77
Conservazione.....	78
SEZIONE 4—PARAMETRI TIPICI DEL PRODOTTO	79
SEZIONE 5—ISTRUZIONI PER L'USO	84
Introduzione.....	84
Scelta di una ubicazione.....	84
Linee guida consigliate per prestazioni ottimizzate.....	85
Cavo di alimentazione.....	85
Connessione dell'umidificatore (se prescritto).....	86
Interruttore di alimentazione.....	88
Velocità di flusso.....	89
Indicatori di purezza dell'ossigeno SensO ₂ (Modello sensore O ₂ LX).....	90
Indicatori (Modello LX).....	91
Sistema allarme interruzione alimentazione principale.....	91
Misuratore tempo trascorso (misuratore ore).....	91
SEZIONE 6—MANUTENZIONE	92
Manutenzione di routine.....	92
SEZIONE 7—GUIDA ALLA RISOLUZIONE DEI PROBLEMI	95
GARANZIA LIMITATA	98

NOTE SPECIALI

Le segnalazioni impiegate in questo manuale si riferiscono a situazioni o procedure pericolose che potrebbero causare lesioni personali o danni materiali. Per una definizione delle segnalazioni fare riferimento alla seguente tabella.

SEGNALAZIONE	SIGNIFICATO
PERICOLO	Pericolo indica una situazione di pericolo imminente che, se non evitata, provoca il decesso o lesioni gravi.
AVVERTENZA	Avvertenza indica una situazione di potenziale pericolo che, se non evitata, potrebbe provocare il decesso o lesioni gravi.
ATTENZIONE	Attenzione indica una situazione di potenziale pericolo che, se non evitata, può provocare danni alle cose e/o lesioni non gravi.

AVVISO

Le informazioni contenute in questo documento sono soggette a variazioni senza preavviso.

PERICOLO

NON FUMARE durante l'utilizzo di questo dispositivo. Tenere i fiammiferi, le sigarette accese o altre fonti di incendio fuori dal locale in cui è ubicato questo prodotto e lontane dal punto in cui viene erogato ossigeno.

Mettere bene in evidenza i DIVIETI DI FUMARE. I tessuti e altri materiali che normalmente non brucerebbero si infiammano facilmente e bruciano con grande intensità in aria con alta concentrazione di ossigeno. La mancata osservanza di questa avvertenza può essere causa di gravi incendi, danni alle proprietà e lesioni fisiche o decesso

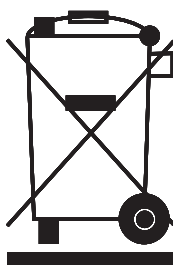
INFORMAZIONI SUL RICICLAGGIO

Questo prodotto é stato fornito dal fabbricante nel rispetto dell'ambiente e in conformità alla direttiva "Gestione dei Rifiuti di Apparecchiature Elettriche ed Elettroniche (RAEE)" 2002/96/CE.

Questo prodotto potrebbe contenere delle sostanze nocive all'ambiente se smaltite in maniera non corretta o lasciate in punti di raccolta non appropriati e non conformi a quanto previsto dalla legislazione.

Il simbolo del "contenitore di spazzatura barrato" riportato sul prodotto invita al riciclaggio ovunque sia possibile.

Si invita al rispetto dell'ambiente riciclando il prodotto al termine del ciclo di vita presso apposite strutture di raccolta.



SEZIONE I –INDICAZIONI GENERALI

⚠AVVERTENZA

SEZIONE I - INDICAZIONI GENERALI contiene informazioni importanti per il funzionamento e l'utilizzo in sicurezza di questo prodotto.

Per assicurare l'installazione, l'assemblaggio e il funzionamento sicuri del concentratore Platinum si DEVONO seguire queste istruzioni.

ATTENZIONE

“Attenzione: La legislazione può limitare la vendita di questo dispositivo da parte o su prescrizione di un medico ospedaliero o di qualsiasi altro medico autorizzato dalla legislazione dell'agenzia governativa presso la quale esercita la sua attività ad utilizzare o prescrivere l'utilizzo di questo dispositivo”.

⚠PERICOLO

Rischio di scosse elettriche. NON smontare l'apparecchio. Per qualsiasi intervento, rivolgersi a del personale qualificato.

Non sono presenti parti della cui revisione tecnica debba occuparsi l'utente.

⚠AVVERTENZE

Il ricorso alla terapia a base di ossigeno richiede una particolare attenzione al fine di ridurre i rischi d'incendio. Tutti i materiali suscettibili di bruciare in presenza di aria, e alcuni non suscettibili in tal senso, si infiammano facilmente e bruciano rapidamente ad alte concentrazioni di ossigeno. Come misura di sicurezza, é necessario tenere lontana ogni fonte di combustione, ancor meglio se al di fuori del locale in cui é installato l'apparecchio. Mettere bene in evidenza i **DIVIETI DI FUMARE**.

Nel caso in cui dell'olio, dei grassi o delle sostanze unte venissero a contatto con l'ossigeno sotto pressione, é possibile che si sviluppi una combustione violenta e spontanea. Tali sostanze **DEVONO** essere quindi tenute lontane dal concentratore di ossigeno, dalle tubature, dalle connessioni e da qualsiasi altro apparecchio ad ossigeno. **NON** usare alcun lubrificante a meno che non sia espressamente consigliato da Invacare.

Per ottimizzare le prestazioni, Invacare consiglia di accendere e far funzionare ogni concentratore per almeno 30 minuti per volta. Periodi di funzionamento più brevi possono ridurre la durata di vita massima del prodotto.

Se il cavo o la spina del concentratore sono danneggiati o non funzionano correttamente o se sono caduti in acqua e risultano danneggiati, rivolgersi esclusivamente a del personale qualificato per esami o riparazioni.

Tenere lontani i tubi dell'ossigeno, il cavo e l'unità da superfici calde o fonti di calore, tra cui stufe, coperte, piani di cottura e apparecchiature elettriche simili.

NON spostare il concentratore tirandolo dal cavo.

NON far cadere né inserire **MAI** alcun oggetto nelle aperture del concentratore.

⚠AVVERTENZE

NON bloccare MAI le bocchette dell'aria del concentratore e non posizionarlo mai su una superficie morbida (come un letto o un divano), che possa impedire l'entrata dell'aria. Mantenere le aperture del concentratore libere da ogni eventuale ostruzione (peli, capelli, ecc.).

Riempire d'acqua l'umidificatore fino al livello indicato dal fabbricante. NON superare il livello.

Mantenere l'apparecchio ad almeno 7,5 cm da pareti, tende, mobili, ecc.

Invacare raccomanda di impiegare tubi dell'ossigeno a prova di rottura da essa forniti e di non superare i 15,2 m di lunghezza. Per Platinum 9 si consiglia di utilizzare tubi di lunghezza massima pari a 15,24 metri (50 piedi) con portata elevata.

Manutenzione

Il Concentratore di Ossigeno Invacare é stato specificamente concepito per ridurre al minimo la manutenzione preventiva (da effettuare una volta all'anno). La manutenzione preventiva e le regolazioni del concentratore di ossigeno devono essere eseguite solo da personale competente in materia sanitaria o pienamente a conoscenza di tale processo, come ad esempio del personale autorizzato ed addestrato dal fabbricante.

Interferenze a radiofrequenza

La maggior parte degli apparecchi elettronici é influenzata da interferenze a radiofrequenza. Fare ATTENZIONE quando si usano apparecchi di comunicazione portatili nella zona circostante al concentratore.

Riduzione del rischio di ustioni, scosse elettriche, incendio o lesioni personali

Non usare l'apparecchio quando si fa il bagno. In caso di uso continuo prescritto da un medico:

il concentratore deve essere installato in un altro locale situato ad almeno 2,1 m dal bagno.

NON toccare il concentratore quando é bagnato.

Non lasciare **MAI** l'apparecchio senza sorveglianza quando é sotto tensione (spina inserita).

NON installare o conservare l'apparecchio in una posizione in cui possa cadere in acqua o in un altro liquido.

NON toccare l'apparecchio se é caduto in acqua. Staccare **IMMEDIATAMENTE** la spina.

Quest'apparecchio deve essere usato solo su prescrizione medica e in base alle istruzioni del presente manuale. Se in qualsiasi momento l'infermiere o il paziente ritiene che la quantità di ossigeno erogata sia insufficiente, contattare **IMMEDIATAMENTE** il rivenditore e/o il medico. Non effettuare alcuna regolazione della velocità di flusso senza la prescrizione di un medico.

Quando l'apparecchio é usato in presenza di bambini o di persone disabili, é necessario prestare una scrupolosa attenzione.

Utilizzare quest'apparecchio solo per l'uso indicato, come descritto nel presente manuale.

NON connettere il concentratore in parallelo o in serie con altri concentratori di ossigeno o altri dispositivi per la terapia a base di ossigeno.

L'uso di alcuni accessori o umidificatori non adatti per un concentratore di ossigeno può ridurne le prestazioni.

In certi casi, la terapia a base di ossigeno può essere pericolosa. Invacare raccomanda di richiedere il parere di un medico prima di utilizzare questo strumento.

Quest'apparecchio deve essere usato come integrazione di ossigeno e non va considerato come un supporto o un sostegno vitale.

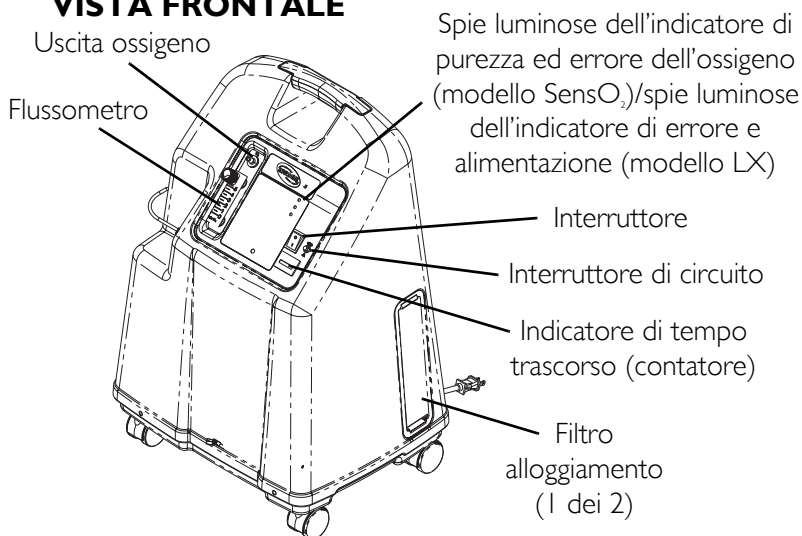
Evitare la creazione di qualsiasi scintilla in vicinanza dell'apparecchio, comprese quelle di origine elettrostatica create da un qualsiasi tipo di attrito.

Concentrazione di ossigeno

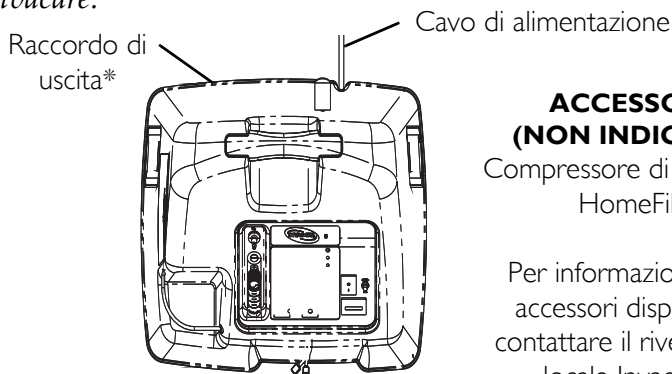
Fare attenzione a non regolare l'erogazione al di sopra del livello ROSSO. Un flusso di ossigeno superiore a 5 l/min (IRC5LXO2AW, IRC5LXAW, IRC5LXO2AWQ) e 9 l/min. (IRC9LXO2AWQ) ridurrà la concentrazione di ossigeno.

SEZIONE 2—CARATTERISTICHE

VISTA FRONTALE



**NOTA: Questo raccordo di uscita deve essere usato solo per riempire di ossigeno i cilindri con il di ossigeno HomeFill. Il raccordo di uscita non incide sulle prestazioni del concentratore. Per informazioni relative al collegamento e al funzionamento, consultare il manuale dell'utente di HomeFill, numero di parte 1145804. Quando non è utilizzata, la spina fornita con il concentratore deve essere inserita nel raccordo di uscita. Per ulteriori informazioni su HomeFill, contattare il rivenditore locale Invacare.*



VISTA SUPERIORE

ACCESSORI (NON INDICATI):

Compressore di ossigeno
HomeFill

Per informazioni sugli
accessori disponibili,
contattare il rivenditore
locale Invacare.

SEZIONE 3—SPEDIZIONE E GESTIONE

NOTA: Per questa procedura, fare riferimento alla FIGURA 3.1

Prima di installare e attivare il concentratore, leggere il Manuale dell'utente serie Platinum.

Il concentratore Platinum deve essere SEMPRE tenuto in posizione verticale per evitare danni all'alloggiamento durante il trasporto. L'involucro per la spedizione é stato progettato per assicurare la massima protezione del concentratore.

Se il concentratore deve essere rispedito tramite normale vettore, deve essere reimballato in un nuovo cartone. Invacare mette a disposizione ulteriori cartoni.

Il sistema di sospensione con compressore ad aria é stato progettato per assicurare la resistenza a spostamenti e movimenti bruschi.

Disimballaggio

1. Verificare che il cartone e il relativo contenuto non abbiano subito nessun danno evidente. In presenza di danni, avvisare il trasportatore o il rivenditore locale .
2. Rimuovere l'imballo.
3. Estrarre con cura dal cartone tutti i componenti.

NOTA: Conservare il cartone e il materiale di imballaggio per la conservazione del dispositivo Platinum.

Ispezione

1. Verificare che l'esterno del concentratore di ossigeno non presenti scheggiature, ammaccature, graffi o altri danni. Ispezionare tutti i componenti.

Conservazione

1. Conservare il concentratore all'interno del proprio imballo all'asciutto.
2. **NON** posare alcun oggetto sulla parte superiore dell'imballo del concentratore.

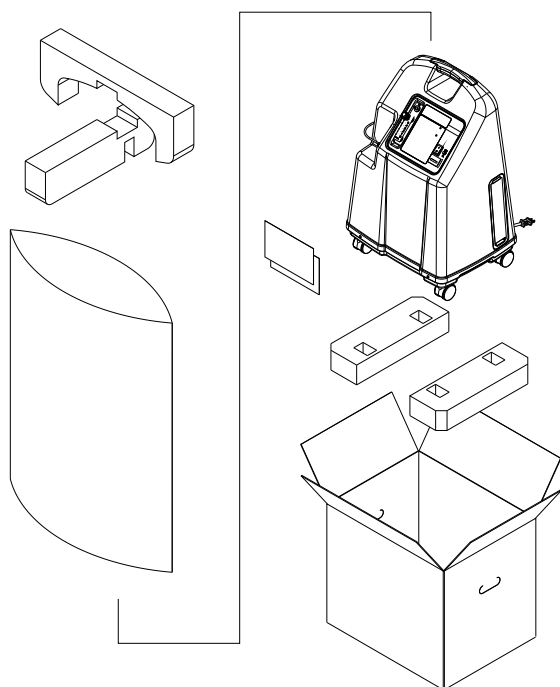









FIGURA 3.1 Disimballaggio

SEZIONE 4—PARAMETRI TIPICI DEL PRODOTTO

Norme:	EN/IEC 60601-1
	Corrente alternata
	Tenere lontano dai bambini
	In funzione
	Non in funzione
	Attenzione - Consultare la documentazione
	NON fumare
	Class II, Doppio isolamento

Requisiti elettrici:	230 VAC \pm 10% (253 VAC/207 VAC), 50 Hz
Corrente nominale in entrata:	1,4 A (IRC5LXO2AWQ)
	2,0 A (IRC5LXAW, IRC5LXO2AW)
	2.3 A (IRC9LXO2AWQ)
Livello acustico:	39,5 dB in media (IRC5LXO2AWQ)
	44 dB in media (IRC5LXAW, IRC5LXO2AW)
	50 dB in media (IRC9LXO2AWQ)
Altitudine:	Fino a 1828 metri (6000 piedi) sopra il livello del mare senza degradazione dei livelli di concentrazione. SCONSIGLIATO L'USO SOPRA I 1828 metri (6000 piedi)
	For IRC9LXO2AWQ - Fino a 1.230 metri (4.000 piedi). (1.230 metri) sopra il livello del mare senza degradazione dei livelli di concentrazione. Da 1.230 metri (4.000 piedi) fino a 4.000 metri (13.129 piedi) efficienza inferiore al 90%.

INFORMAZIONI SUL RICICLAGGIO



<p>*Livelli di concentrazione dell'ossigeno in uscita: tutti i modelli 5LXO2AWQ/5LXAW/5LXO2AW</p> <p>*Livelli di concentrazione nominali raggiunti dopo il riscaldamento iniziale (30 minuti circa).</p>	<p>IRC5LXAW, IRC5LXO2AW and IRC5LXO2AWQ 93% minimo da 1 a 3 l/min 91% minimo a 4 l/min 87% minimo a 5 l/min (flusso massimo raccomandato)</p> <p>IRC9LXO2AWQ 92% minimo da 1 a 2 L/min 91% minimo a 8 L/min 87% minimo a 9 L/min 92% minimo da 3 a 7 L/min</p>
<p>Pressione massima in uscita:</p>	<p>IRC5LXAW, IRC5LXO2AW and IRC5LXO2AWQ 34,5 ± 3,45 kPa (5 ± 0,5 psi)</p> <p>For IRC9LXO2AWQ 62,0 kPa ± 3,45 kPa (9 ± 0,5 psi)</p>
<p>Velocità di flusso:</p>	<p>IRC5LXAW, IRC5LXO2AW and IRC5LXO2AWQ 0,5 a 5 l/min. Velocità di flusso inferiore a 1 l/min sconsigliata.</p> <p>IRC9LXO2AWQ da 1 l/min. a 9 l/min. Le portate inferiori a 1 l/min. sono sconsigliate.</p>
<p>Allarme basso flusso:</p>	<p>Da 0 l/min a 0,5 l/min - Allarme sonoro a bip rapidi (senza accessori collegati)</p>
<p>Consumo medio:</p>	<p>(IRC5LXO2AWQ) 300 W 280 W @ ≤ 3 L/min</p> <p>(IRC5LXO2AW) 365 W 340 W @ ≤ 3 L/min</p> <p>380 W (IRC5LXAW)</p> <p>460 W (IRC9LXO2AWQ)</p>
<p>Meccanismo di regolazione della pressione operativo a:</p>	<p>24 l kPa ± 24, l kPa (35 psi ± 3,5 psi)</p>

Variazione rispetto al flusso massimo raccomandato quando si applica una contropressione di 7 kPa:	0,7 l/min
Filtri:	Alloggiamento (2), uscita HEPA ed entrata compressore.
Sistema di sicurezza:	Sovraccarico di corrente o arresto per sovratensione. Arresto del compressore per temperatura elevata. Arresto del compressore per pressione elevata. Arresto del compressore per pressione bassa. Allarme per perdita di alimentazione senza batterie. Allarme basso flusso del sistema dell'ossigeno SensO ₂ (modello SensO ₂).
Larghezza:	46,7 cm ± 1 cm
Altezza:	67,0 cm ± 1 cm
Profondità:	36,5 cm ± 1 cm
Peso:	IRC5LXAW, IRC5LXO2AWQ, IRC5LXO2AWQ 23,6 kg ± 1 kg
	IRC9LXO2AWQ 24,0 kg ± 1 kg
Peso di spedizione:	26,8 kg ± 1 kg
	IRC9LXO2AWQ (27,2 kg ± 1 kg)
Ambiente operativo: Temperatura:	10°C – 35°C al 20 – 60% di umidità relativa
Scarico:	Inferiore alla temperatura ambiente + 19°C.
Uscita ossigeno:	Inferiore alla temperatura ambiente + 2°C.
Alloggiamento:	In plastica resistente agli urti e ignifugo (conforme alla norma UL 94-V0).


INFORMAZIONI SUL RICICLAGGIO

Norme:	<p>Modelli IRC5LXAW/IRC5LXO2AW/ IRC5LXO2AWQ/IRC9LXO2AWQ Testato da ETL in conformità a:</p> <p>EN 55011 EN 61000-3-2 EN 61000-3-3 IEC 60601-1, A1, A2 IEC 60601-1-2</p> <p>Solo per i modelli IRC5LXO2AW/IRC5LXO2AWQ/ IRC9LXO2AWQ ISO 8359 MDD</p>
Modelli con marchio CE:	IRC5LXO2AW, IRC5LXO2AWQ, IRC9LXO2AWQ
Elettricità:	Vietato l'uso di prolunge
Ubicazione:	Ad almeno 7,5 cm da pareti, mobili, tende o superfici simili.
Tubature:	<p>IRC5LXAW, IRC5LXO2AWQ, IRC5LXO2AWQ Cannula da 2,1 m con una estensione massima di 15,2 m di tubature a prova di rottura (NON schiacciare).</p>
	<p>IRC9LXO2AWQ Per Platinum 9 si consiglia di utilizzare tubi di lunghezza massima pari a 15,24 metri (50 piedi) con portata elevata.</p>
Umidità relativa:	Dal 20 al 60%
Durata di funzionamento:	Fino a 24 ore al giorno.
Temperatura raccomandata di immagazzinamento e di spedizione:	Da -29°C a 65°C, al 15-95% di umidità relativa

INDICATORI SENSO₂

SIMBOLO ETICHETTA	STATO	SPIE LUMINOSE (LED)
O ₂	SISTEMA OK O ₂ superiore a 85% (± 2%)	Spia luminosa VERDE
	O ₂ tra 73% (± 3%) e 85% (±2%)	Spia luminosa GIALLA A. Giallo fisso B. Giallo lampeggiante Errore sensore Contattare un tecnico qualificato
	ERRORE SISTEMA O ₂ inferiore a 73% (±3%)	Spia ROSSA Fare riferimento a <u>Guida alla risoluzione dei problemi</u> a pagina 95.

INDICATORI LX

SIMBOLO ETICHETTA	STATO	SPIE LUMINOSE (LED)
I/O	SISTEMA OK	Spia luminosa VERDE
	ERRORE SISTEMA	Spia luminosa ROSSA Allarme sonoro continuo Compressore Sieve-GARD™ Arresto Contattare un tecnico qualificato

SEZIONE 5—ISTRUZIONI PER L'USO

Introduzione

Questo concentratore di ossigeno é concepito per un uso domestico individuale. Si tratta di un dispositivo elettronico che separa l'ossigeno dall'aria ambiente fornendo al paziente ossigeno ad alta concentrazione tramite una cannula nasale. Studi clinici hanno dimostrato che i concentratori di ossigeno equivalgono a livello terapeutico ad altri sistemi di erogazione di ossigeno.

Richiedere al proprio rivenditore di effettuare una dimostrazione dell'uso del concentratore e di rispondere ad eventuali domande. Questo manuale per l'uso descrive il concentratore e serve come riferimento durante l'uso dell'apparecchio.

Scelta di una ubicazione

Scegliere una camera in cui l'utilizzo del concentratore risulti il più pratico possibile. Il concentratore può essere spostato facilmente da una camera all'altra grazie alle apposite rotelle.

Il concentratore fornirà le migliori prestazioni se lo si utilizza nelle condizioni indicate di seguito. L'uso in condizioni diverse da quelle descritte può determinare un aumento della manutenzione richiesta. La presa di aria dell'apparecchio deve trovarsi in una zona ben ventilata in modo da evitare vapori e/o sostanze inquinanti sospese nell'aria.

Linee guida consigliate per prestazioni ottimizzate

Temperatura:	10°C – 35°C
Elettricità:	Vietato l'uso di prolunghe.
Ubicazione:	Ad almeno 7,5 cm da pareti, mobili, tende o superfici simili.
Tubi e cannula:	IRC5LXAW, IRC5LXO2AWQ, IRC5LXO2AWQ Cannula da 2,1 m con una estensione massima di 15,2 m di tubature a prova di rottura (NON schiacciare).
	IRC9LXO2AWQ Per qualsiasi portata si consiglia di utilizzare tubi di lunghezza massima pari a 15,24 metri (50 piedi) con cannula di portata elevata.
Ambiente:	Senza fumo né fuliggine. Evitare spazi angusti (es.: ripostigli o armadi).
Umidità relativa:	Dal 20 al 60%
Durata di funzionamento:	Fino a 24 ore al giorno.
Velocità di flusso:	IRC5LXAW, IRC5LXO2AW, IRC5LXO2AWQ Da 0,5 l/min. a 5 l/min. Sono sconsigliate velocità di flusso inferiori a 1 l/min.
	IRC9LXO2AWQ da 1 l/min. a 9 l/min. Le portate inferiori a 1 l/min. sono sconsigliate.
Tempo di funzionamento minimo:	30 minuti

NOTA: Accertarsi che il concentratore sia installato ad almeno 7,5 cm da pareti, tende o mobili, in modo da assicurare un flusso d'aria sufficiente. Evitare tappeti troppo spessi, termosifoni, riscaldatori o altri erogatori d'aria calda.

Cavo di alimentazione

1. Inserire il cavo di alimentazione in una presa elettrica.

Connessione dell'umidificatore (se prescritto)

NOTA: Per questa procedura, fare riferimento alla FIGURA 5.1 a pagina 86, FIGURA 5.2 a pagina 86, FIGURA 5.3 a pagina 87 e FIGURA 5.4 a pagina 88.

1. Riempire l'umidificatore con acqua distillata fino al livello indicato dal fabbricante. Contattare Invacare per una consulenza.

⚠AVVERTENZA

NON superare il livello indicato.

Riporre il tappo dell'umidificatore e stringere bene.

NON invertire le connessioni di entrata ed uscita dell'ossigeno. L'acqua deve fluire dal flacone dell'umidificatore tramite la cannula fino al paziente.

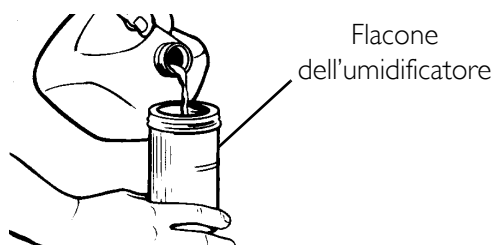


FIGURA 5.1 Riempimento dell'umidificatore

2. Inserire il flacone dell'umidificatore nell'apposito scomparto.

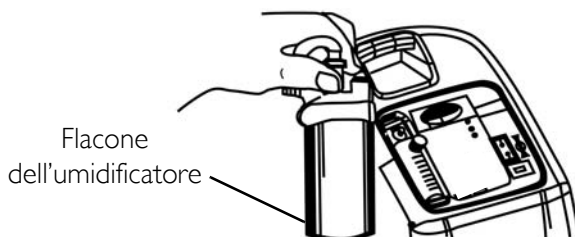
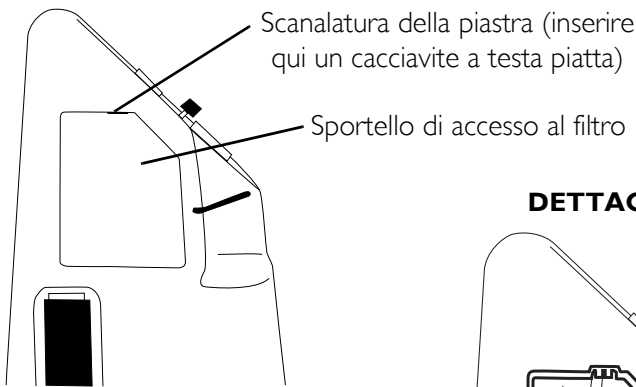


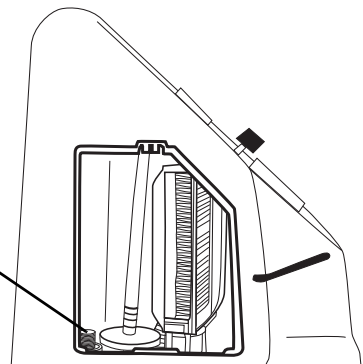
FIGURA 5.2 Scomparto dell'umidificatore

3. Rimuovere lo sportello di accesso al filtro situato sul lato del concentratore. Inserire un cacciavite a testa piatta nella scanalatura della piastra situata sul bordo superiore dello sportello di accesso al filtro e aprire con delicatezza lo sportello. Vedere DETTAGLIO "A" nella FIGURA 5.3.
4. L'adattatore dell'umidificatore si trova vicino al filtro di entrata. Tirare verso l'alto e rimuovere l'adattatore del flacone dell'umidificatore. Vedere Dettaglio "B" nella FIGURA 5.3.
5. Collegarlo all'umidificatore ruotando in senso antiorario il dado ad alette del flacone fino a fissarlo saldamente. Vedere Dettaglio "C" nella FIGURA 5.3.

DETTAGLIO "A"



DETTAGLIO "B"



DETTAGLIO "C"

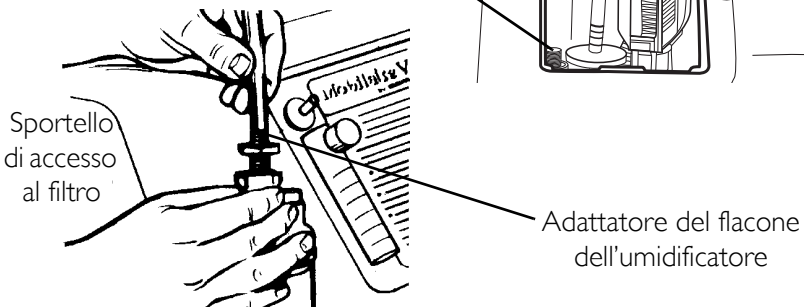


FIGURA 5.3 Collegamento dell'adattatore del flacone dell'umidificatore

6. Collegare il tubo dell'ossigeno proveniente dal flacone dall'umidificatore al connettore di uscita del concentratore di ossigeno.
7. Collegare la cannula/il tubo di erogazione al paziente all'uscita del flacone dell'umidificatore.
8. Accertarsi che l'ossigeno passi nella cannula.
9. Riporre lo sportello di accesso al filtro sul lato del concentratore incastrandolo di nuovo nella scanalatura della piastra.



FIGURA 5.4 Collegamento del tubo dell'ossigeno

⚠ AVVERTENZA

Per ottimizzare le prestazioni, Invacare consiglia di accendere e far funzionare ogni concentratore per almeno 30 minuti per volta. Periodi di funzionamento più brevi possono ridurre la durata di vita massima del prodotto.

Interruttore di alimentazione

NOTA: Per questa procedura, fare riferimento alla FIGURA 5.5

1. Posizionare l'interruttore di alimentazione su On. Per un secondo tutte le spie si illuminano e l'allarme acustico risuona per indicare che l'apparecchio funziona correttamente.

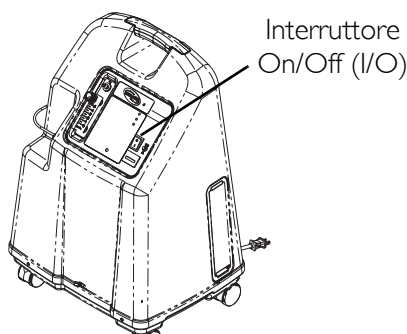


FIGURA 5.5 Interruttore di alimentazione

Velocità di flusso

NOTA: Per questa procedura, fare riferimento alla FIGURA 5.6.

1. Ruotare la manopola della velocità di flusso sul valore prescritto dal medico o dal terapeuta.

⚠ AVVERTENZA

NON modificare sul flussometro la regolazione l/min senza prescrizione medica.

NOTA: Per leggere correttamente il flussometro, indentificare la riga della velocità di flusso prescritta. Ruotare quindi la manopola fino a quando la sfera non viene a trovarsi sulla riga. Portare infine la sfera sulla riga l/min desiderata.

2. Se la velocità di flusso scende al di sotto di 0,5 l/min per oltre un minuto, scatta un allarme di BASSO FLUSSO (bip rapidi). Controllare se il tubo o un altro accessorio non sia bloccato o attorcigliato o se l'umidificatore non sia difettoso. Una volta ripristinato un flusso corretto (superiore a 0,5 l/min), l'allarme di BASSO FLUSSO scompare.

NOTA: L'uso di determinati accessori come il compressore HomeFill disattiva l'allarme di basso flusso.

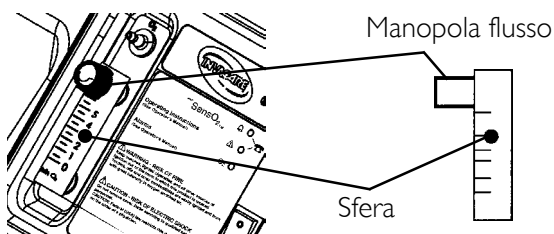


FIGURA 5.6 Velocità di flusso

Indicatori di purezza dell'ossigeno SensO₂ (Modello sensore O₂ LX)

Questa funzione monitora la purezza dell'ossigeno generato dal concentratore. Se la purezza scende al di sotto del valore prefissato in fabbrica, si illumina un'apposita spia sul quadro di comando.

Avvio iniziale del concentratore

NOTA: il concentratore può essere usato durante il riscaldamento iniziale (30 min circa) mentre si aspetta che la purezza dell' O₂ raggiunga il massimo livello.

Quando si accende l'apparecchio, si illumina la spia VERDE (SISTEMA OK / O₂ superiore all'85%). Dopo 5 minuti, il sensore dell'ossigeno funziona normalmente e controlla le spie in funzione ai valori di concentrazione di ossigeno.

Significato delle spie dell'indicatore di purezza dell'ossigeno

NOTA: Per questa procedura, fare riferimento alla FIGURA 5.7

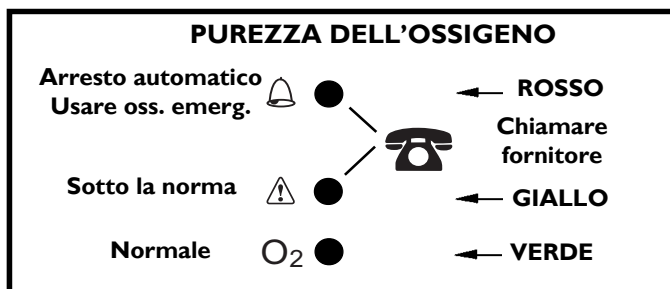
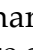


FIGURA 5.7 Indicatori di purezza dell'ossigeno SensO₂ (Modello sensore O₂ LX)

Spia VERDE (O₂) - Funzionamento normale.

Spia GIALLA () - Chiamare IMMEDIATAMENTE il fornitore. Si può continuare ad usare il concentratore salvo istruzioni contrarie del fornitore. Accertarsi di avere a portata di mano dell'ossigeno di emergenza.

Spia ROSSA (⚠) - Arresto totale dell'apparecchio. Passare IMMEDIATAMENTE sull'ossigeno DI EMERGENZA. Chiamare IMMEDIATAMENTE il fornitore.

Spia VERDE con lampeggiamenti GIALLI - Chiamare IMMEDIATAMENTE il fornitore. Sensore dell'ossigeno guasto, ma si può continuare a usare il concentratore.

Indicatori (Modello LX)

NOTA: Per questa procedura, fare riferimento alla FIGURA 5.8

Spiegazione delle spie luminose per i modelli LX

Spia ROSSA (⚠) - Arresto totale dell'apparecchio. Passare IMMEDIATAMENTE sull'ossigeno di emergenza. Chiamare IMMEDIATAMENTE il fornitore.

Spia VERDE (I/O) - On/Off. Sistema OK.

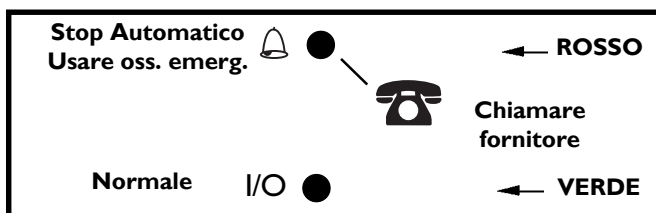


FIGURA 5.8 Indicatori (Modello LX)

Sistema allarme interruzione alimentazione principale

Il sistema di allarme non include batterie e non richiede pertanto manutenzione. Il sistema di allarme viene azionato da un condensatore che viene continuamente ricaricato ed è pronto ad attivare l'allarme in caso di interruzione dell'alimentazione principale.

Misuratore tempo trascorso (misuratore ore)

Questo misuratore visualizza il numero complessivo di ore di funzionamento dell'unità.

SEZIONE 6—MANUTENZIONE

NOTA: I concentratori Invacare sono specificamente progettati per ridurre al minimo gli interventi di manutenzione preventiva di routine. In sedi di installazione con elevate livelli di polvere o fuliggine, potrebbero essere necessari interventi di manutenzione più frequenti. La manutenzione preventiva sul concentratore può essere effettuata solo da personale autorizzato o addestrato in stabilimento. L'alimentazione deve essere scollegata prima di iniziare la manutenzione preventiva sul concentratore Invacare.

NOTA: La manutenzione preventiva DEVE essere effettuata almeno secondo le linee guida del registro di manutenzione. Fare riferimento a Scheda per la manutenzione preventiva del concentratore di ossigeno Invacare Platinum a pagina 94.

Manutenzione di routine

NOTA: La seguente manutenzione di routine deve essere effettuata più spesso. Vedere gli intervalli consigliati in ogni sezione e il registro di manutenzione preventiva.

Pulizia del filtro dell'alloggiamento

NOTA: Per questa procedura, fare riferimento alla FIGURA 6.1 a pagina 93.

ATTENZIONE

NON usare il concentratore senza i filtri installati.

NOTA: Ci sono due filtri nell'alloggiamento. Ogni filtro è installato su un lato dell'alloggiamento.

1. Rimuovere i due filtri e pulirli come minimo una volta alla settimana in funzione delle condizioni ambientali.

NOTA: Le condizioni ambientali che possono richiedere una più frequente pulizia dei filtri sono, tra le altre: polvere, fumo, agenti inquinanti nell'aria, ecc.

2. Pulire i filtri con un aspirapolvere o lavarli con acqua calda e sapone e sciacquarli accuratamente.
3. Asciugare i filtri accuratamente prima di reinstallarli.

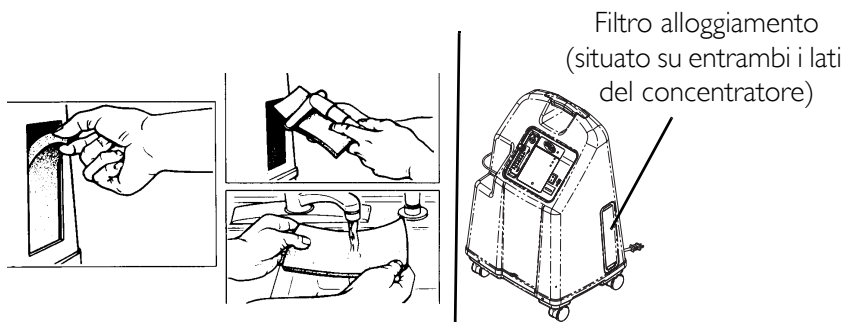


FIGURA 6.1 Pulizia del filtro dell'alloggiamento

Alloggiamento

⚠AVVERTENZA

Scollegare il concentratore prima di pulirlo. Per evitare scosse elettriche, NON rimuovere l'alloggiamento.

1. Pulire l'alloggiamento con un detergente delicato e con un panno o una spugna non abrasiva.

Umidificatore

NOTA: Per pulire l'umidificatore dell'ossigeno, seguire le istruzioni fornite dal fabbricante o, se non si dispone delle stesse, procedere come segue:

1. Pulire l'umidificatore ogni giorno.
2. Lavarlo con acqua e sapone e sciacquarlo con una soluzione di dieci parti d'acqua e una di aceto.
3. Sciacquare accuratamente con acqua calda e riempirlo di nuovo con acqua distillata fino al livello indicato sull'umidificatore.

⚠AVVERTENZA

NON superare il livello indicato sul flacone dell'umidificatore.

N. MODELLO IRC _____ N. DI SERIE _____



VERBALE DI MANUTENZIONE PREVENTIVA

A OGNI ISPEZIONE		Yes, you can:											
Data dell'intervento													
Registrare le ore trascorse indicate sul contatore													
Pulire i filtri dell'alloggiamento													
Controllare la velocità di flusso prescritta (l/min)													
OGNI 4.380 ORE													
Controllare la concentrazione di ossigeno (UNITÀ SENZA SensO ₂)													
OGNI 26.280 ORE O OGNI 3 ANNI, QUALUNQUE CONDIZIONE SI VERIFICHI PER PRIMA													
Controllare la concentrazione di ossigeno (UNITÀ CON SensO ₂)													
DURANTE IL PROGRAMMA DI MANUTENZIONE PREVENTIVA O TRA UN PAZIENTE E L'ALTRO													
Pulire/Sostituire i filtri dell'alloggiamento													
Controllare il filtro di uscita HEPA*													
Controllare il filtro di ingresso del compressore*													
Controllare l'allarme di perdita dell'alimentazione													
SE NECESSARIO													
Pulire lo scambiatore di calore													
Sostituire il silenziatore del sistema di scarico													
Revisionare a fondo il compressore sul lato superiore													

FIGURA 6.2 Scheda per la manutenzione preventiva del concentratore di ossigeno Invacare Platinum

*NOTA: Consultare il capitolo sulla manutenzione preventiva del manuale di assistenza.
 4.380 ore corrispondono ad un uso continuato durante 6 mesi, 7 giorni alla settimana, 24 ore al giorno
 26.280 ore corrispondono ad un uso continuato durante 3 anni, 7 giorni alla settimana, le 24 ore.

SEZIONE 7—GUIDA ALLA RISOLUZIONE DEI PROBLEMI

SINTOMO:	CAUSA PROBABILE:	SOLUZIONE:
Allarme:	Perdita di corrente:	
Bip brevi con lunga pausa	1. Cavo di alimentazione NON inserito.	1. Inserire la spina nella presa.
Il concentratore non funziona. Interruttore su ON.	2. Mancanza di corrente sulla presa.	2. Ispezionare gli interruttori di circuito e i fusibili. Se il problema si ripresenta, usare una presa diversa.
Bip.....Bip.....	3. Interruttore di circuito scattato.	3. Chiamare il servizio di assistenza.
Allarme: Continuo Il concentratore non funziona. Interruttore su On. Biiiiiiiiiiip....	Errore sistema: 1. Surriscaldamento dovuto a ostruzione sull'entrata dell'aria. 2. Corrente insufficiente nella presa. 3. Necessaria una riparazione interna.	1a. Rimuovere e pulire i filtri dell'alloggiamento. 1b. Porre il concentratore ad almeno 7,5 cm da pareti, tende o mobili. 2. NON usare prolunghe. Usare un'altra presa elettrica o un altro circuito. 3. Chiamare il servizio di assistenza.

SINTOMO:	CAUSA PROBABILE:	SOLUZIONE:
<p>Spia GIALLA o ROSSA accesa</p> <p>Allarme: Continuo Solo sulla spia rossa.</p> <p>* Solo per i modelli SensO₂</p>	<p>1. Ossigeno con bassa purezza*.</p> <p>2. Tubo, cannula o umidificatore schiacciati o bloccati*.</p> <p>3. Flussometro su 0,5 l/min o meno*.</p> <p>4. Surriscaldamento dovuto a ostruzione sull'entrata dell'aria.</p> <p>5. Corrente insufficiente nella presa.</p> <p>6. Necessaria una riparazione interna.</p>	<p>1. Pulire o sostituire i filtri.</p> <p>2. Verificare che non ci siano schiacciate o blocchi. Correggere, pulire o sostituire il componente. Spegnere per 60 secondi e riaccendere.</p> <p>3. Verificare che il flussometro sia impostato su 1 l/min o più. (Fare riferimento a <u>Linee guida consigliate per prestazioni ottimizzate</u> a pagina 85.</p> <p>4a. Rimuovere e pulire i filtri dell'alloggiamento.</p> <p>4b. Porre il concentratore ad almeno 7,5 cm da pareti, tende o mobili.</p> <p>5. NON usare prolunghe. Usare un'altra presa elettrica o un altro circuito.</p> <p>6. Chiamare il servizio di assistenza.</p>
<p>Spia VERDE con lampeggiamenti GIALLI.</p>	<p>1. Necessaria una riparazione interna.</p>	<p>1. Chiamare il servizio di assistenza.</p>

SINTOMO:	CAUSA PROBABILE:	SOLUZIONE:
<p>Allarme: RAPIDO</p> <p>Bip... Bip... Bip... Bip...</p>	<p>Allarme basso flusso</p> <p>Ia. Tubo, cannula o umidificatore schiacciati o bloccati.</p> <p>Ib. Flussometro impostato su 0,5 l/min o meno.</p>	<p>Ia. Verificare che non ci siano schiacciamenti o blocchi. Correggere, pulire o sostituire il componente. Spegnerne per 60 secondi e riaccendere.</p> <p>Ib. Reimpostare il flussometro sulla velocità di flusso prescritta. Le velocità di flusso inferiori a 1 l/min non sono raccomandate.</p>

GARANZIA LIMITATA

Belgium & Luxembourg:

Invacare nv, Autobaan 22, B-8210
Loppem
Tel: (32) (0) 50 83 10 10
Fax: (32) (0) 50 83 10 11
belgium@invacare.com

Danmark:

Invacare A/S, Sdr. Ringvej 37, DK-2605
Brøndby
Tel: (45) (0)36 90 00 00
Fax: (45) (0)36 90 00 01
denmark@invacare.com

Deutschland:

Invacare Aquatec GmbH,
Alemannenstraße 10, D-88316 Isny
Tel: (49) (0)75 62 7 00 0
Fax: (49) (0)75 62 7 00 66
info@invacare-aquatec.com

European Distributor Organisation:

Invacare, Kleiststraße 49, D-32457 Porta
Westfalica
Tel: (49) (0)57 31 754 540
Fax: (49) (0)57 31 754 541
edo@invacare.com

España:

Invacare SA, c/Areny s/n, Poligon
Industrial de Celrà, E-17460 Celrà
(Girona)
Tel: (34) (0)972 49 32 00
Fax: (34) (0)972 49 32 20
contactsp@invacare.com

France:

Invacare Poirier SAS, Route de St Roch,
F-37230 Fondettes
Tel: (33) (0)2 47 62 64 66
Fax: (33) (0)2 47 42 12 24
contactfr@invacare.com

Ireland:

Invacare Ireland Ltd, Unit 5 Seatown
Business Campus,
Seatown Road, Swords, County Dublin
– Ireland
Tel: (353) 1 810 7084
Fax: (353) 1 810 7085
ireland@invacare.com

Italia:

Invacare Mecc San s.r.l., Via dei Pini 62,
I-36016 Thiene (VI)
Tel: (39) 0445 38 00 59
Fax: (39) 0445 38 00 34
italia@invacare.com

Nederland:

Invacare BV, Celsiusstraat 46, NL-6716
BZ Ede
Tel: (31) (0)318 695 757
Fax: (31) (0)318 695 758
nederland@invacare.com
csede@invacare.com

Norge:

Invacare AS, Grensesvingen 9, Postboks
6230, Etterstad, N-0603 Oslo
Tel: (47) (0)22 57 95 00
Fax: (47) (0)22 57 95 01
norway@invacare.com
island@invacare.com

Österreich:

Invacare Austria GmbH, Herzog
Odilostrasse 101, A-5310 Mondsee
Tel: (43) 6232 5535 0
Fax: (43) 6232 5535 4
info@invacare-austria.com

Sverige & Suomi:

Invacare AB, Fagerstagatan 9,
S-163 91 Spånga
Tel: (46) (0)8 761 70 90
Fax: (46) (0)8 761 81 08
sweden@invacare.com
finland@invacare.com

Switzerland:

Invacare AG,
Benkenstrasse 260, CH-4108 Witterswil
Tel: (41) (0)61 487 70 80
Fax: (41) (0)61 487 70 81
switzerland@invacare.com

United Kingdom:

Invacare Limited, Pencoed Technology
Park, Pencoed, Bridgend CF35 5HZ
Tel: (44) (0) 1656 776200
Fax: (44) (0) 1656 776201
Customer Services:
Tel: (44) (0) 1656 776222
Fax: (44) (0) 1656 776220
UK@invacare.com

Portugal:

Invacare Lda,
Rua Estrada Velha, 949, P-4465-784 Leça
do Balio
Tel: (351) (0)225 1059 46/47
Fax: (351) (0)225 1057 39
portugal@invacare.com

Benutzerhandbuch

Platinum™

**Sauerstoffkonzentratoren: Standard,
mit SensO₂® und für HomeFill®**

**Modell IRC5LXAW
Modell IRC5LXO2AW
Modell IRC5LXO2AWQ
Modell IRC9LXO2AWQ**

Für Händler: dieses Handbuch muss dem Endbenutzer übergeben werden.

Für Benutzer: lesen sie dieses Handbuch vor Benutzung dieses Konzentrators und bewahren sie es zum Nachschlagen für die Zukunft auf.

Weitere Informationen zu Produkten, Teilen und Serviceleistungen von Invacare erhalten Sie unter www.invacare.de.



Yes, you can.®

⚠️ WARNUNG

VERWENDEN SIE DIESES PRODUKT ODER IRGEND EIN VERFÜGBARES SONDERZUBEHÖR NICHT, OHNE ZUVOR DIESE ANWEISUNGEN, SOWIE ALLE ANDEREN BEDIENUNGSUNTERLAGEN, WIE DAS BENUTZERHANDBUCH, DAS WARTUNGSHANDBUCH ODER DIE ZUSAMMEN MIT DIESEM PRODUKT ODER DEM SONDERZUBEHÖR GELIEFERTEN HINWEISBLÄTTER VOLLSTÄNDIG GELESEN UND VERSTANDEN ZU HABEN. WENN SIE DIE WARNHINWEISE, VORSICHTSHINWEISE ODER ANWEISUNGEN NICHT VERSTEHEN, WENDEN SIE SICH AN MEDIZINISCHES FACHPERSONAL, EINEN FACHHANDLER ODER AN QUALIFIZIERTES TECHNISCHES PERSONAL, BEVOR SIE DIESES PRODUKT IN BETRIEB NEHMEN - ANSONSTEN KANN ES ZU VERLETZUNGEN ODER SACHBESCHÄDIGUNGEN KOMMEN.

ZUBEHÖR

Es gibt viele verschiedene Arten von Luftbefeuchtern, Sauerstoffschläuchen, Kanülen und Masken, die mit diesem Gerät verwendet werden können. Sie sollten in Ihrem lokalen Fachhandel erfragen, welche dieser Geräte sich am besten für Sie eignen. Dort werden Sie auch Informationen über die richtige Anwendung, Wartung und Reinigung erhalten.

⚠️ ZUBEHÖR-WARNUNG

Die Produkte von Invacare werden speziell für den Gebrauch mit Invacare-Zubehör entwickelt und hergestellt. Von anderen Herstellern entworfenes Zubehör wurde von Invacare nicht getestet und wird daher nicht für die Verwendung mit Produkten von Invacare empfohlen.

HINWEIS: Aktualisierte Versionen dieses Handbuchs finden Sie unter www.invacare.de.

INHALTSVERZEICHNIS

WICHTIGE HINWEISE	102
ENTSORGUNG	103
ABSCHNITT 1—ALLGEMEINE RICHTLINIEN.....	104
Wartung	106
Hochfrequenzstörungen	107
Reduzierung des Risikos von Verbrennungen, Stromschlägen, Bränden oder Körperverletzungen	107
Sauerstoffkonzentration.....	108
ABSCHNITT 2—	
LEISTUNGSMERKMALE.....	109
ABSCHNITT 3—VERSAND UND HANDHABUNG ...	110
Auspacken	110
Überprüfung	111
Lagerung	111
ABSCHNITT 4—TYPISCHE PRODUKTPARAMETER	112
ABSCHNITT 5—	
BEDIENUNGSANLEITUNG.....	117
Einführung	117
Standortwahl	117
Empfohlene Richtlinien für optimale Leistung	118
Anschluss des Netzkabels	119
Anschluss des Befeuchters (Sofern verschrieben).....	119
Netzschalter	121
Flussrate.....	122
SensO ₂ Sauerstoffreinheitsanzeigen (O ₂ -Sensor LX-Modell)	123
Anzeigen (LX-Modell)	124
Alarmsystem bei Stromausfall	124
Betriebsstundenzähler (Stundenzähler).....	124
ABSCHNITT 6—WARTUNG.....	125
Routinewartung	125
ABSCHNITT 7—ANLEITUNG ZUR FEHLERSUCHE... 	128
EINGESCHRÄNKTE GARANTIE	131

WICHTIGE HINWEISE

In diesem Handbuch werden Signalwörter verwendet, die sich auf Gefahren oder unsichere Praktiken beziehen, welche zu Verletzungen oder Sachschäden führen könnten. Die Definitionen der Signalwörter finden Sie in der folgenden Tabelle.

SIGNALWORT	BEDEUTUNG
GEFAHR	Bezeichnet eine unmittelbar gefährliche Situation, die, wenn sie nicht vermieden wird, zu schweren oder tödlichen Verletzungen führt.
WARNUNG	Bezeichnet eine potenziell gefährliche Situation, die, wenn sie nicht vermieden wird, zu schweren oder tödlichen Verletzungen führen kann.
VORSICHT	Bezeichnet eine potenziell gefährliche Situation, die, wenn sie nicht vermieden wird, zu Sachschäden führen kann.

HINWEIS

Die in diesem Dokument enthaltenen Informationen können jederzeit ohne vorherige Ankündigung geändert werden.

GEFAHR

Den Benutzern ist das **RAUCHEN** während der Verwendung dieses Produkts **UNTERSAGT**. Sorgen Sie dafür, dass keine Streichhölzer, brennenden Zigaretten oder andere Zündquellen in den Raum gelangen, in dem sich das Produkt befindet und halten Sie diese fern von Orten, an denen Sauerstoff austritt.

Schilder mit der Aufschrift **RAUCHEN VERBOTEN** sollten deutlich sichtbar angebracht werden. Textilien und andere Materialien, die normalerweise nicht brennen würden, werden in mit Sauerstoff angereicherter Luft leicht entzündet und brennen mit großer Intensität. Die Missachtung dieser Warnung kann zu schweren Bränden und Sachschäden führen sowie körperliche Verletzungen oder den Tod verursachen.

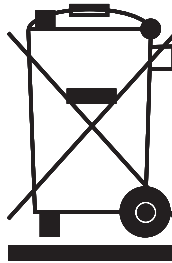
ENTSORGUNG

Dieses Produkt ist von einem umweltbewussten Hersteller geliefert worden, der gemäß der Verordnung 2002/96/CE zur Entsorgung von Elektro- bzw. Elektronikschrott (WEEE) arbeitet.

Dieses Produkt kann Stoffe enthalten, die sich für die Umwelt als schädlich erweisen könnten, falls sie an Orten (Mülldeponien) entsorgt werden, die nach der Gesetzgebung dafür nicht geeignet sind.

Das Symbol der „durchgestrichenen Mülltonne“ befindet sich auf diesem Produkt, um den Benutzer an die Verpflichtung zum Recycling zu erinnern.

Bitte umweltbewusst handeln und dieses Produkt am Ende seiner Nutzungsdauer einer Recyclingeinrichtung zuführen.



ABSCHNITT I – ALLGEMEINE RICHTLINIEN

⚠️ WARNUNG

ABSCHNITT I - ALLGEMEINE RICHTLINIEN enthält wichtige Informationen für den sicheren Betrieb und die sichere Verwendung dieses Produkts.

Um die sichere Installation, den sicheren Zusammenbau und Betrieb des Platinum Konzentrators zu gewährleisten, **MÜSSEN** diese Anweisungen befolgt werden.

VORSICHT

„Vorsicht: Gesetzlich kann der Erwerb dieses Geräts auf den Verkauf an einen Arzt oder auf dessen Anordnung bzw. an jede/n andere/n Fachmann/frau eingeschränkt sein, gemäß den jeweils geltenden gesetzlichen Vorschriften, unter denen er/sie praktiziert.“

⚠GEFAHR

Gefahr eines Stromschlags. Das Gerät NICHT auseinander nehmen. Wartungsarbeiten dürfen nur von qualifiziertem Servicepersonal durchgeführt werden.

⚠WARNHINWEISE

Die Anwendung der Sauerstofftherapie erfordert besondere Sorgfalt, um die Brandgefahr zu reduzieren. Jegliche Materialien, die in Luft verbrennen, und einige, die dies nicht tun, werden bei hohen Sauerstoffkonzentrationen leicht entzündet und verbrennen schnell. Aus Sicherheitsgründen müssen deshalb alle Entzündungsquellen von dem Gerät fern gehalten werden und sich möglichst nicht in dem Raum befinden, in dem das Produkt genutzt wird. Schilder mit der Aufschrift RAUCHEN VERBOTEN sollten deutlich sichtbar angebracht werden.

Eine spontane und heftige Entzündung kann eintreten, falls Öl, Schmiermittel oder Fettstoffe in Kontakt mit unter Druck stehendem Sauerstoff kommen. Diese Stoffe MÜSSEN von Sauerstoffkonzentrator, Schläuchen und Anschlüssen sowie allen anderen Sauerstoffgeräten fern gehalten werden. KEINE Gleitmittel verwenden, es sei denn, dies wird von Invacare ausdrücklich empfohlen.

Invacare empfiehlt für eine optimale Leistung, dass jeder Konzentrator mindestens jeweils 30 Minuten laufen sollte. Kürzere Betriebszeiten können die maximale Nutzungsdauer des Produkts reduzieren.

Wenn am Konzentrator ein Kabel oder ein Stecker beschädigt ist, wenn der Konzentrator nicht ordnungsgemäß arbeitet, wenn der Konzentrator fallen gelassen oder beschädigt wurde oder ins Wasser gefallen ist, muss qualifiziertes Servicepersonal zur Überprüfung und Reparatur angerufen werden.

⚠ WARNHINWEISE

Das Gerät sowie die Sauerstoffschläuche und Kabel von heißen oder beheizten Oberflächen (z. B. Heizöfen, Heizdecken, Herdplatten u. ä.) fern halten.

Konzentrator NICHT durch Ziehen am Kabel bewegen oder verlagern.

NIEMALS Gegenstände in eine Öffnung fallen lassen bzw. dort hinein stecken.

NIEMALS die Luftöffnungen des Geräts blockieren oder das Gerät auf eine weiche Oberfläche stellen, wie zum Beispiel ein Bett oder ein Sofa, wo die Luftöffnungen blockiert werden können. Die Öffnungen frei von Fusseln, Haaren und Ähnlichem halten.

Den Befeuchter bis zu der vom Hersteller angegebenen Marke mit Wasser füllen. NICHT überfüllen.

Das Gerät mindestens 7,5 cm von Wänden, Vorhängen, Möbeln und Ähnlichem entfernt aufstellen.

Invacare empfiehlt, dass ein MAXIMAL 15,2 m langer stauchfester Sauerstoffschlauch (von Invacare bereitgestellt) mit diesem Produkt verwendet wird. Für das Platinum 9 wird High-Flow-Schlauchmaterial mit bis zu 15 Metern Länge empfohlen.

Wartung

Der Invacare Sauerstoffkonzentrator wurde so entwickelt, dass eine routinemäßige Präventivwartung nur einmal im Jahr durchzuführen ist. Nur medizinisches Fachpersonal oder Personen, die vollständig mit dieser Anwendung vertraut sind, wie autorisiertes oder vom Hersteller ausgebildetes Personal, sollten vorbeugende Wartungsarbeiten oder Flussratenänderungen am Sauerstoffkonzentrator vornehmen.

Hochfrequenzstörungen

Die meisten elektronischen Geräte werden durch Hochfrequenzstörungen beeinflusst. Vorsichtig bei der Verwendung von tragbaren Kommunikationsgeräten in der näheren Umgebung solcher Geräte sein.

Reduzierung des Risikos von Verbrennungen, Stromschlägen, Bränden oder Körperverletzungen

Nicht beim Baden verwenden. Wenn gemäß Verordnung des Arztes ein kontinuierlicher Gebrauch erforderlich ist:

Der Konzentrator muss in einem anderen Raum mindestens 2,1 m vom Badezimmer entfernt aufgestellt werden.

Den Konzentrator im nassen Zustand NICHT berühren.

Am Netz angeschlossene Geräte sollten NIEMALS aus den Augen gelassen werden.

Gerät NICHT an einem Ort aufstellen bzw. aufbewahren, wo es in Wasser oder eine andere Flüssigkeit fallen kann.

NICHT nach einem Gerät greifen, das ins Wasser gefallen ist. SOFORT den Stecker aus der Steckdose ziehen.

Dieses Gerät ist nur in Übereinstimmung mit der Verordnung eines Arztes und mit diesem Benutzerhandbuch zu verwenden. Falls zu irgendeinem Zeitpunkt der Patient oder der Betreuer zu dem Schluss kommt, dass der Patient eine ungenügende Menge Sauerstoff erhält, sollte UNVERZÜGLICH der Lieferant und/oder Arzt kontaktiert werden. Es sollten keine Veränderungen an der Flussrate vorgenommen werden, solange sie nicht von einem Arzt verordnet wurden.

Strenge Aufsicht ist erforderlich, wenn dieses Produkt in der Nähe von Kindern oder körperbehinderten Personen verwendet wird.

Dieses Gerät nur für den beabsichtigten Zweck verwenden, wie er in diesem Handbuch beschrieben ist.

Den Konzentrator NICHT parallel oder in Reihe mit anderen Sauerstoffkonzentratoren oder Sauerstofftherapiegeräten schalten.

Die Verwendung bestimmter Zubehörteile oder Befeuchter, die nicht für den Einsatz mit dem Sauerstoffkonzentratoren vorgesehen sind, kann die Leistung beeinträchtigen.

Unter bestimmten Umständen kann eine Sauerstofftherapie gefährlich sein. Invacare empfiehlt, dass der Benutzer einen Arzt zu Rate zieht, bevor er dieses Gerät verwendet.

Dieses Gerät ist als Sauerstoffergänzung zu verwenden und wird nicht als lebensunterstützend oder lebenserhaltend betrachtet.

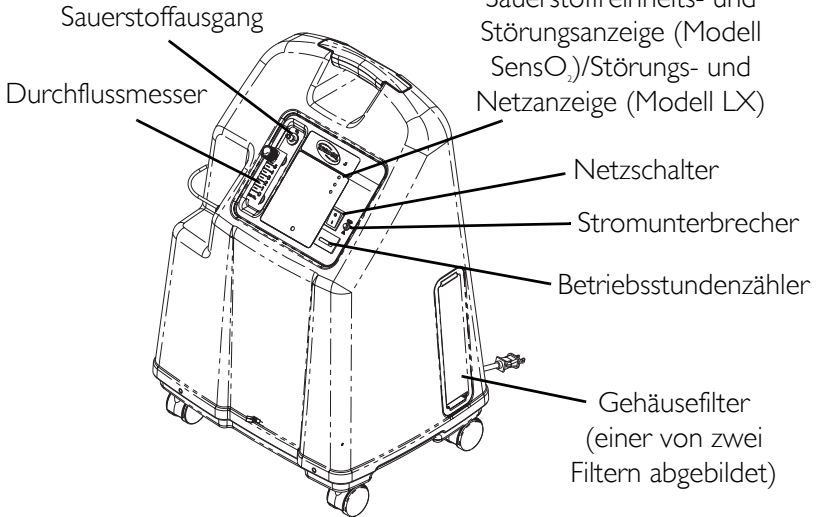
Jegliche Funkenbildung in der Nähe medizinischer Sauerstoffgeräte vermeiden. Hierzu gehören auch Funken, die durch statische Elektrizität (Reibung) entstehen.

Sauerstoffkonzentration

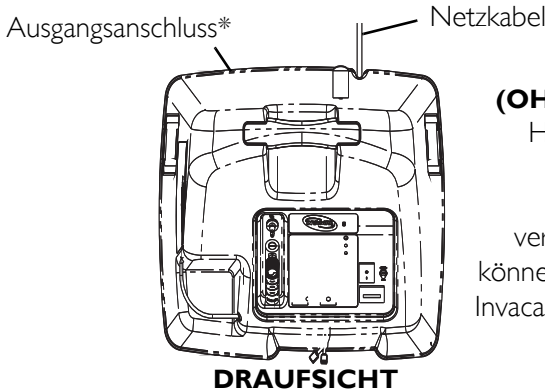
Darauf achten, dass die Anzeige des Flussmessers niemals über dem ROTEN Ring steht. Ein Sauerstofffluss von mehr als 5 l/min (IRC5LXO2AW, IRC5LXAW, IRC5LXO2AWQ) und 9 l/min (IRC9LXO2AWQ) senkt die Sauerstoffkonzentration.

ABSCHNITT 2— LEISTUNGSMERKMALE

VORDERANSICHT



**HINWEIS: Dieser Ausgangsanschluss ist nur für die Befüllung von Sauerstoffflaschen mit dem HomeFill Sauerstoffkompressor zu verwenden. Der Ausgangsanschluss beeinflusst die Konzentratorleistung nicht. Anweisungen hinsichtlich Anschluss und Betrieb befinden sich im Benutzerhandbuch des HomeFill, Artikelnummer 1145804. Bei Nichtgebrauch sollte der mit dem Konzentrator gelieferte Stopfen in den Ausgangsanschluss gesteckt werden. Weitere Informationen über den HomeFill können über Invacare bezogen werden.*



ZUBEHÖR (OHNE ABBILDUNG):

HomeFill Füllstation

Informationen zu verfügbarem Zubehör können über Ihre zuständige Invacare-Vertretung bezogen werden.

ABSCHNITT 3—VERSAND UND HANDHABUNG

HINWEIS: Nähere Angaben zu diesem Verfahren finden Sie in AB-BILDUNG 3.1

Vor der Installation und dem Betrieb des Konzentrators lesen Sie das Betriebshandbuch der Platinum Serie aufmerksam durch.

Der Platinum Konzentrator sollte **IMMER** aufrecht transportiert werden, um das Gehäuse während des Transports nicht zu beschädigen. Der Transportbehälter wurde konstruiert, um maximalen Schutz des Konzentrators zu gewährleisten.

Sollte der Konzentrator nochmals von einem Transportdienst verschickt werden, sollte das Gerät in einen neuen Karton verpackt werden. Invacare stellt zusätzliche Kartons zur Verfügung.

Das Kompressoraufhängungssystem wurde so konstruiert, dass es extremer Bewegung und Ausrichtung standhält.

Auspacken

1. Überprüfen, ob der Karton oder sein Inhalt offensichtliche Schäden aufweist. Wenn Schäden offenkundig sind, den Spediteur oder Invacare benachrichtigen.
2. Das gesamte lose Verpackungsmaterial vom Karton entfernen.
3. Alle Einzelteile vorsichtig aus dem Karton herausnehmen.

HINWEIS: Bewahren Sie den Karton sowie das Verpackungsmaterial für die Lagerung des Platinum auf.

Überprüfung

1. Das Äußere des Sauerstoffkonzentrators auf Einkerbungen, Dellen, Kratzer oder sonstige Beschädigungen untersuchen. Alle Teile prüfen.

Lagerung

1. Den wieder verpackten Sauerstoffkonzentrator in einem trockenen Bereich lagern.
2. KEINE anderen Gegenstände auf die Oberseite des wieder verpackten Konzentrators legen.

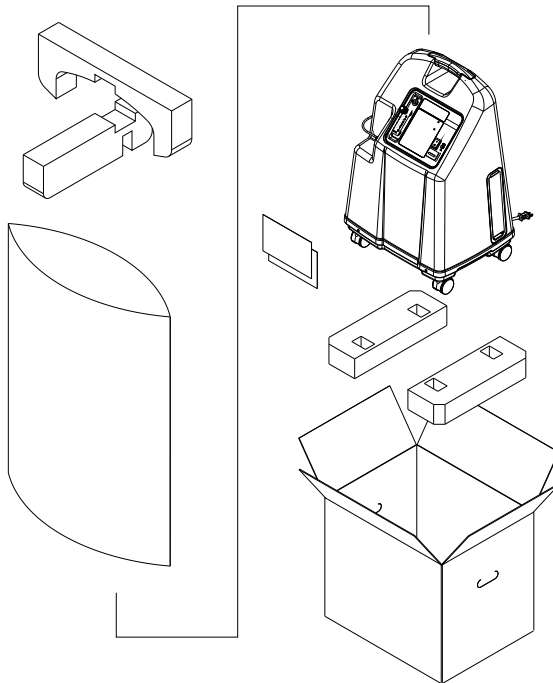









ABBILDUNG 3.1 Auspacken

ABSCHNITT 4—TYPISCHE PRODUKTPARAMETER

Behördliche Zulassung:	EN/IEC 60601-1
	Wechselspannung
	Vollisoliert, Schutzklasse BF
	EIN
	AUS
	Achtung! Begleitpapiere beachten
	RAUCHEN VERBOTEN
	Class II, Doppelte Isolierung

Elektrische Anforderungen:	230 V AC $\pm 10\%$ (253 V AC/207 V AC), 50 Hz
Nennstromaufnahme:	1,4 A (IRC5LXO2AWQ)
	2,0 A (IRC5LXAW, IRC5LXO2AW)
	2,3 A (IRC9LXO2AWQ)
Schallpegel:	39,5 dB im Durchschnitt (IRC5LXO2AWQ)
	44 dB im Durchschnitt (IRC5LXAW, IRC5LXO2AW)
	50 im Durchschnitt (IRC9LXO2AWQ)
Höhe:	IRC5LXAW, IRC5LXO2AW, IRC5LXO2AWQ Bis zu 1828 Meter über dem Meeresspiegel ohne Verminderung der Konzentrationsniveaus. NICHT ZUR VERWENDUNG OBERHALB VON 1828 METERN EMPFOHLEN
	IRC9LXO2AWQ - Bei bis zu 1230 Metern über Meereshöhe ohne Abfall der Konzentrationswerte. Bei Höhen von 1230 bis 4000 Metern unter 90 % Leistungsfähigkeit.



<p>* Sauerstoffleistung Konzentrationsniveaus: alle 5LXO2AWQ/5LXAW/ 5LXO2AW Modelle * Die angegebenen Konzentrationsniveaus wurden nach einer Betriebsdauer von ca. 30 Min. erreicht.</p>	<p>IRC5LXAW, IRC5LXO2AW, IRC5LXO2AWQ 93 % Minimum bei 1 bis 3 l/min 91 % Minimum bei 4 l/min 87 % Minimum bei 5 l/min (Maximal zulässige Flussrate) IRC9LXO2AWQ 92% Minimum bei 1 bis 2 L/min; 91% Minimum bei 8 L/min; 87% Minimum bei 9 L/min; 93% Minimum bei 3 bis 7 L/min;</p>
<p>Maximaler Ausflussdruck:</p>	<p>IRC5LXAW, IRC5LXO2AW, IRC5LXO2AWQ 34,5 ±3,45 kPa (5 ±0,5 psi)</p>
	<p>IRC9LXO2AWQ 62,0 kPa ± 3,45 kPa (9 ± 0,5 psi)</p>
<p>Durchflussbereich:</p>	<p>IRC5LXAW, IRC5LXO2AW, and IRC5LXO2AWQ 0,5 bis 5 l/min. Flussraten unter 1 l/min sind nicht empfehlenswert. IRC9LXO2AWQ - 1 l/min bis 9 l/min Flussraten von unter 1 l/min werden nicht empfohlen.</p>
<p>Niedrig-Fluss-Alarm:</p>	<p>0 l/min bis 0,5 l/min, schneller Signalton (kein Zubehör verbunden)</p>
<p>Durchschnittlicher Stromverbrauch:</p>	<p>(IRC5LXO2AWQ) 300 W 280 W @ ≤ 3 L/min (IRC5LXO2AW) 365 W 340 W @ ≤ 3 L/min 380 W (IRC5LXAW) 460 W (IRC9LXO2AWQ)</p>
<p>Druckentlastung wirksam bei:</p>	<p>24 l kPa ±24, l kPa (35 psi ±3,5 psi)</p>
<p>Verringerung der maximal zulässigen Flussrate unter einem Gegendruck von 7 kPa:</p>	<p>0,7 l/min</p>

ENTSORGUNG


Filter:	Gehäuse (2), Auslass-HEPA (Bakterien) und Kompressoreinlass.
Sicherheitssystem:	Überspannungs - oder Stromschutzabschaltung. Abschaltung des Kompressors bei Überhitzung. Hochdruck-Alarm mit Abschaltung des Kompressors. Niederdruck-Alarm mit Abschaltung des Kompressors. Batteriefreier Netzausfall-Alarm. SensO ₂ Sauerstoffsystem (Modell SensO ₂) Niedrig-Fluss-Alarm.
Breite:	46,7 cm ± 1 cm
Höhe:	67,0 cm ± 1 cm
Tiefe:	36,5 cm ± 1 cm
Gewicht:	IRC5LXAW, IRC5LXO2AW, IRC5LXO2AWQ 23,6 kg ± 1 kg
	IRC9LXO2AWQ 24,0 kg ± 1 kg
Versandgewicht:	IRC5LXAW, IRC5LXO2AW, IRC5LXO2AWQ 26,8 kg ± 1 kg
	IRC9LXO2AWQ - 27,2 kg ± 1 kg
Umgebungstemperatur, Betrieb:	10 °C – 35 °C bei 20 – 60 % relativer Luftfeuchtigkeit
Kühlluftauslass:	Geringer als Umgebung +19 °C
Sauerstoffauslass:	Geringer als Umgebung +2 °C
Gehäuse:	Schlagfestes, flammhemmendes Kunststoffgehäuse, das UL 94-V0 entspricht.

Behördliche Zulassung:	<p>Modelle IRC5LXAW/IRC5LXO2AW/ IRC5LXO2AWQ/IRC9LXO2AWQ ETL geprüft als im Einklang mit: EN 55011 EN 61000-3-2 EN 61000-3-3 IEC 60601-1, A1, A2 IEC 60601-1-2</p> <p>Nur Modelle IRC5LXO2AW/IRC5LXO2AWQ/ IRC9LXO2AWQ ISO 8359 MDD</p>
Modelle mit CE-Marke:	IRC5LXO2AW, IRC5LXO2AWQ, IRC9LXO2AWQ
Elektrik:	Keine Verlängerungskabel verwendbar.
Standort:	Mindestabstand von 7,5 cm von allen Wänden, Möbeln, Vorhängen oder ähnlichen Oberflächen.
Schlauch:	IRC5LXAW, IRC5LXO2AWQ, and IRC5LXO2AWQ 2,1 m Kanüle mit einem maximal 15,2 m langen stauchfesten Schlauch (NICHT QUETSCHEN).
	IRC9LXO2AWQ - Die Verwendung von High-Flow-Schlauchmaterial mit bis zu 15 Metern Länge mit High-Flow-Kanüle bei allen Flussraten wird empfohlen.
Relative Luftfeuchtigkeit:	20 bis 60 %
Betriebszeit:	Bis zu 24 Stunden pro Tag.
Empfohlene Lager- und Versandtemperatur:	-29 °C bis 65 °C, bei 15 – 95 % relativer Luftfeuchtigkeit

SENSO₂-ANZEIGEN

SYMBOL	STATUS	ANZEIGELEUCHTEN (LED)
O ₂	SYSTEM IN ORDNUNG O ₂ über 85 % (± 2 %)	GRÜNES Licht
	O ₂ zwischen 73 % (± 3 %) und 85 % (±2 %)	GELBES Licht A. Dauer-Gelb B. Blinkendes Gelb, Sensordefekt Rufen Sie einen qualifizierten Techniker
	SYSTEMAUSFALL O ₂ unter 73 % (± 3 %)	ROTES Licht Siehe <u>ANLEITUNG ZUR FEHLERSUCHE</u> auf Seite 128.

LX-ANZEIGEN

SYMBOL	STATUS	ANZEIGELEUCHTEN (LED)
I/O	SYSTEM ORDNUNG	GRÜNES Licht
	SYSTEMAUSFALL	ROTES Licht Kontinuierlicher akustischer Alarm Sieve-GARD™ Kompressor-Stillstand Rufen Sie einen qualifizierten Techniker

ABSCHNITT 5— BEDIENUNGSANLEITUNG

Einführung

Der Sauerstoffkonzentrator ist für den individuellen Gebrauch in der eigenen Wohnung bestimmt. Er ist ein elektronisch betriebenes Gerät, das Sauerstoff von der Raumluft trennt. Dieses Gerät liefert über eine Nasenkanüle hohe Konzentrationen von Sauerstoff direkt an den Benutzer. Klinische Studien haben dokumentiert, dass Sauerstoffkonzentratoren mit anderen Sauerstoffzuführungssystemen therapeutisch vergleichbar sind.

Der Händler wird Sie in die Verwendung des Sauerstoffkonzentrators einweisen. Sie sollten sich bei Fragen oder Problemen hinsichtlich des Sauerstoffkonzentrators an Ihren Händler wenden. Dieses Benutzerhandbuch enthält Informationen über den Konzentrator und sollte bei Bedarf zu Rate gezogen werden.

Standortwahl

Einen Raum auswählen, der sich am besten für die Verwendung des Sauerstoffkonzentrators eignet. Der Konzentrator kann auf seinen Rollen problemlos von Zimmer zu Zimmer gerollt werden.

Der Sauerstoffkonzentrator wird die beste Leistung erbringen, wenn er unter den folgenden Bedingungen betrieben wird. Andernfalls kann eine erhöhte Wartung des Geräts erforderlich sein. Der Lufteintritt des Geräts sollte sich in einem gut belüfteten Bereich von Luftverschmutzung und/oder Dämpfen entfernt befinden.

Empfohlene Richtlinien für optimale Leistung

Temperatur:	10 °C – 35 °C
Elektrik:	Keine Verlängerungskabel verwendbar.
Standort:	Mindestabstand von 7,5 cm von Wänden, Möbeln, Vorhängen oder ähnlichen Oberflächen.
Schlauch und Kanüle:	IRC5LXAW, IRC5LXO2AWQ, IRC5LXO2AWQ - 2,1 m Kanüle mit einem maximal 15,2 m langen stauchfesten Schlauch (NICHT QUETSCHEN)
	IRC9LXO2AWQ - Die Verwendung von High-Flow-Schlauchmaterial mit bis zu 15 Metern Länge mit High-Flow-Kanüle bei allen Flussraten wird empfohlen.
Umgebung:	Rauch- und rußfrei. Keine beengten Räume (Beispiel: KEINE Kammern, Wandschränke).
Relative Luftfeuchtigkeit:	20 bis 60 %
Betriebszeit:	Bis zu 24 Stunden pro Tag.
Flussrate:	Von 0,5 l/min. bis zu 5 l/min. Durchflussraten von weniger als 1 l/min. werden nicht empfohlen.
	IRC9LXO2AWQ - 1 l/min bis 9 l/min Flussraten von unter 1 l/min werden nicht empfohlen.
Minimale Betriebszeit:	30 Minuten

HINWEIS: Dafür sorgen, dass der Konzentrator mindestens 7,5 cm von Wänden, Vorhängen oder Möbeln entfernt ist, um einen ausreichenden Luftstrom zu gewährleisten. Tiefe Florteppiche und Heizgeräte, Heizkörper oder Heizlüfter vermeiden.

Anschluss des Netzkabels

1. Das Netzkabel in eine Steckdose stecken.

Anschluss des Befeuchters (Sofern verschrieben)

HINWEIS: Nähere Angaben zu diesem Verfahren finden Sie in ABBILDUNG 5.1 auf Seite 119, ABBILDUNG 5.2 auf Seite 119, ABBILDUNG 5.3 auf Seite 120 und ABBILDUNG 5.4 auf Seite 121.

1. Den Befeuchter mit sterilem, destilliertem Wasser bis zu der vom Hersteller angegebenen Marke befüllen. Wenden Sie sich an Invacare für Empfehlungen.

⚠️ WARNUNG

Befeuchter NICHT überfüllen.

Den Befeuchterdeckel wieder aufsetzen und fest zuschrauben.

NICHT die Sauerstoffeinlass- und Sauerstoffauslassverbindungen vertauschen. Das Wasser aus der Befeuchterflasche wird durch die Kanüle zurück zum Patienten strömen.

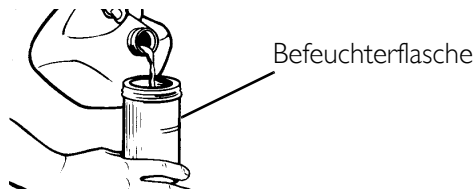


ABBILDUNG 5.1 Auffüllen des Befeuchters

2. Die Befeuchterflasche in das Befeuchterfach setzen.

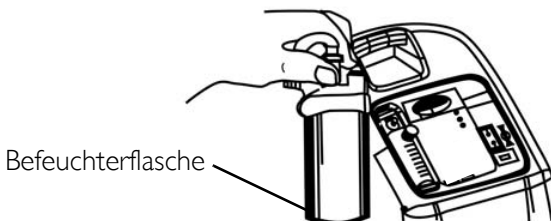


ABBILDUNG 5.2 Befeuchterfach

3. Die Filterzugangstür, die sich an der Seite des Konzentrators befindet, entfernen. Einen Schraubendreher in die Plattenrinne am oberen Rand der Filterzugangstür stecken und die Filterzugangstür behutsam aufstemmen (siehe Detail „A“ in ABBILDUNG 5.3).
4. Der Befeuchteradapter befindet sich neben dem Einlassfilter. Adapter nach oben ziehen und entfernen (siehe Detail „B“ in ABBILDUNG 5.3).
5. Am Befeuchter anbringen, indem die Flügelmutter an der Befeuchterflasche gegen den Uhrzeigersinn gedreht wird, bis der Adapter fest sitzt (siehe Detail „C“ in ABBILDUNG 5.3).

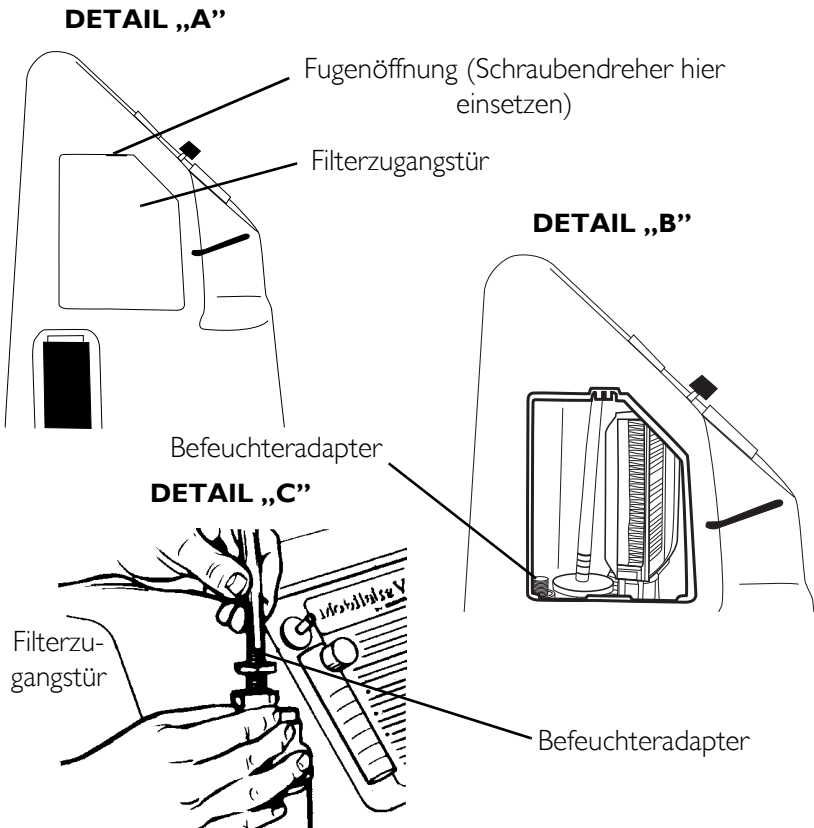


ABBILDUNG 5.3 Anbringen des Befeuchteradapters

6. Den Sauerstoffschlauch zwischen Befeuchterflasche und Sauerstoffausgang des Konzentrators anbringen.

7. Kanüle/Patientenversorgungsschlauch am Auslass der Befeuchterflasche anbringen.
8. Nach der Montage sicherstellen, dass Sauerstoff durch die Kanüle fließt.
9. Die Filterzugangstür wieder am Seitenteil des Konzentrators anbringen, indem die Tür unten angesetzt und vorsichtig in die Plattenrinne gedrückt wird.

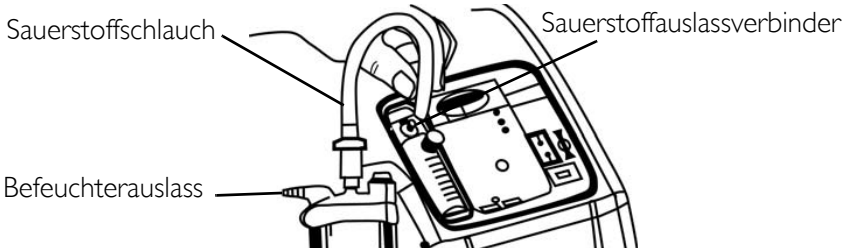


ABBILDUNG 5.4 Anbringen des Sauerstoffschlauchs

⚠️ WARNUNG

Zur Erreichung der optimalen Leistung empfiehlt Invacare, dass der Konzentrator eingeschaltet und mindestens 30 Minuten durchlaufend in Betrieb sein sollte. Wenn das Gerät kontinuierlich kürzer in Betrieb ist, könnte das die Lebensdauer einschränken.

Netzschalter

HINWEIS: Dieses Verfahren wird in ABBILDUNG 5.5 dargestellt.

1. Den Netzschalter auf die Position EIN stellen. Alle Leuchten am Bedienfeld und der akustische Alarm reagieren eine Sekunde lang, was anzeigt, dass das Gerät ordnungsgemäß funktioniert.

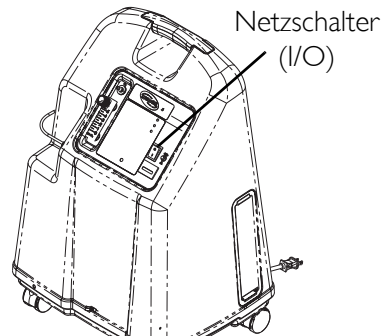


ABBILDUNG 5.5
Netzschalter

Flussrate

HINWEIS: Dieses Verfahren wird in ABBILDUNG 5.6 dargestellt

1. Den Knopf für die Flussrate bis zu der vom Arzt oder Therapeuten verschriebenen Einstellung drehen.

⚠️ WARNUNG

Die Einstellung „l/min“ auf dem Flussmesser NUR DANN ändern, wenn vom Arzt oder Therapeuten eine Veränderung verordnet wurde.

HINWEIS: Zunächst die Linie der vorgeschriebenen Flussrate auf dem Flussmesser ermitteln. Danach den Knopf für die Flussrate drehen, bis sich die Kugel auf Höhe der entsprechenden Linie befindet. Die Kugel nun auf der verschriebenen Linie (l/min) zentrieren.

2. Wenn die Flussrate auf dem Flussmesser jemals für mehr als eine Minute unter 0,5 l/min fällt, wird der NIEDRIG-FLUSS-Alarm ausgelöst. Dabei erklingt der akustische Alarm in schneller Folge. Leitungen und Zubehör auf blockierte oder geknickte Schläuche oder eine defekte Befeuchterflasche prüfen. Nachdem der Nennfluss (über 0,5 l/min) wiederhergestellt ist, verstummt der akustische NIEDRIG-FLUSS-Alarm.

HINWEIS: Die Verwendung einiger Zubehörteile, wie beispielsweise des pädiatrischen Zusatz-Flussmessers und des Kompressors HomeFill, deaktiviert den Niedrig-Fluss-Alarm.

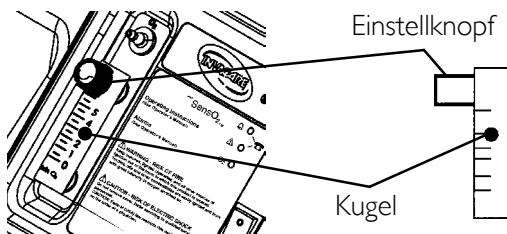


ABBILDUNG 5.6 Flussrate

SensO₂ Sauerstoffreinheitsanzeigen (O₂-Sensor LX-Modell)

Mit dieser Funktion wird die Reinheit des durch den Sauerstoffkonzentrator erzeugten Sauerstoffs überwacht. Wenn die Reinheit unter die vom Hersteller eingestellten Werte fällt, leuchten die Anzeigen auf dem Bedienfeld entsprechend auf.

Inbetriebnahme des Konzentrators

HINWEIS: Der Konzentrator kann in der Anlaufzeit (ungefähr 30 min.) benutzt werden, während die O₂-Reinheit ihren Maximalwert erreicht.

Wenn das Gerät eingeschaltet wird, leuchtet die GRÜNE Anzeige (SYSTEM IN ORDNUNG/O₂ höher als 85 %) auf. Nach 5 Minuten arbeitet der Sauerstoffsensor normal und steuert die Anzeigeleuchten in Abhängigkeit von den Sauerstoffkonzentrationswerten.

Erklärung der Sauerstoffreinheitsanzeigen

HINWEIS: Dieses Verfahren wird in ABBILDUNG 5.7 dargestellt.

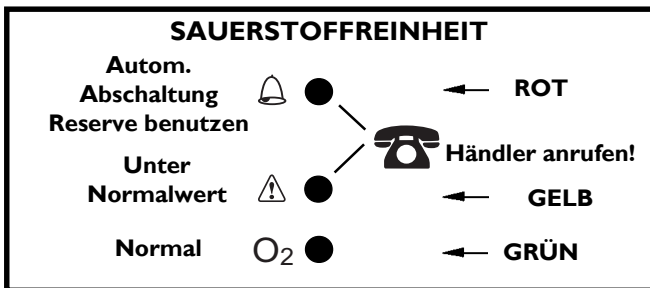


ABBILDUNG 5.7 SensO₂ Sauerstoffreinheitsanzeigen
(O₂-Sensor LX-Modell)

GRÜNE Leuchte (O₂) – Normalbetrieb.

GELBE Leuchte (⚠️) – SOFORT den Händler anrufen. Der Konzentrator kann weiterhin benutzt werden, sofern der Händler keine anderen Anweisungen erteilt. Dafür sorgen, dass die Sauerstoffreserve griffbereit ist.

ROTE Leuchte (⚠) – Komplette Abschaltung des Geräts.
SOFORT auf Sauerstoffreserveversorgung umschalten.
UNVERZÜGLICH den Händler anrufen.

GRÜNE Leuchte – mit blinkender GELBER Leuchte – SOFORT den Händler anrufen. Funktionsstörung des Sauerstoffsensors.
Der Konzentrator kann weiterhin benutzt werden.

Anzeigen (LX-Modell)

HINWEIS: Dieses Verfahren wird in ABBILDUNG 5.8 dargestellt.

Erklärung der Anzeigeleuchten der LX-Modelle

ROTE Leuchte (⚠) – Komplette Abschaltung des Geräts.
SOFORT auf Sauerstoffreserveversorgung umschalten.
UNVERZÜGLICH den Händler anrufen.

GRÜNE Leuchte (I/O) – Ein/Aus. System in Ordnung.

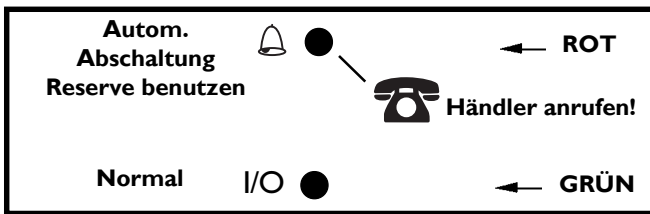


ABBILDUNG 5.8 Anzeigen (LX-Modell)

Alarmsystem bei Stromausfall

Das Alarmsystem hat keine Batterie und benötigt daher keine Wartung. Das Alarmsystem wird von einem Kondensator angetrieben, der dauernd aufgeladen wird und im Falle eines Stromausfalls den Alarm auslöst.

Betriebsstundenzähler (Stundenzähler)

Der Stundenzähler zeigt die gesamte Betriebsstundenzahl an, während der die Einheit betrieben wurde.

ABSCHNITT 6—WARTUNG

HINWEIS: Die Invacare-Konzentratoren wurden speziell so entwickelt, um vorbeugende Routinewartung zu vermindern. In einer Umgebung mit viel Staub und Ruß können Wartungsarbeiten u. U. öfter erforderlich sein. Der Konzentrator sollte nur von autorisierten oder speziell geschulten Mitarbeitern gewartet werden. Vor dem Beginn von vorbeugenden Wartungsarbeiten sollte der Invacare-Konzentrator vom Netzstrom getrennt werden.

HINWEIS: Die vorbeugende Wartung MUSS mindestens den Wartungsrichtlinien entsprechend durchgeführt werden. Siehe auf Seite 127.

Routinewartung

HINWEIS: Die folgenden Routinewartungsarbeiten sollten öfter durchgeführt werden. Halten Sie sich an die empfohlenen Intervalle in jedem Abschnitt und an die Wartungsaufzeichnungen.

Reinigung der Gehäusefilter

HINWEIS: Dieses Verfahren wird in ABBILDUNG 6.1 auf Seite 126 dargestellt.

VORSICHT

Den Konzentrator NICHT ohne eingesetzte Filter betreiben.

HINWEIS: Es gibt zwei Gehäusefilter. Pro Gehäusesseite jeweils ein Filter.

1. Jeden Filter herausnehmen und je nach Umgebungsbedingungen mindestens einmal wöchentlich reinigen.

HINWEIS: Umgebungsbedingungen, die eine häufigere Reinigung der Filter erforderlich machen können, umfassen u. a.: hohes Staubaufkommen, Rauchen, Luftverschmutzung etc.

2. Die Gehäusefilter mit einem Staubsauger reinigen oder mit warmem Seifenwasser waschen und gründlich ausspülen.

3. Die Filter ganz trocknen lassen, bevor sie wieder eingesetzt werden.

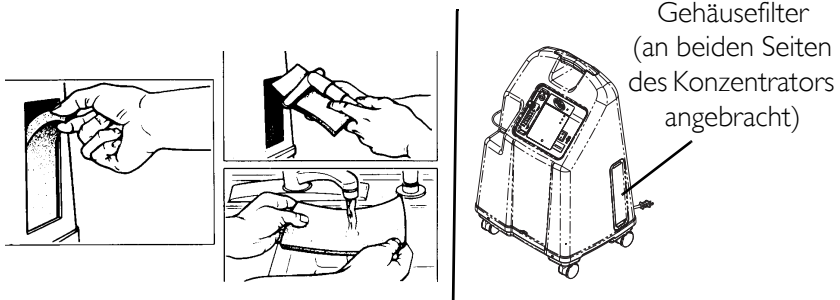


ABBILDUNG 6.1 Reinigung der Gehäusefilter

Gehäuse

⚠ WARNUNG

Den Konzentrator vor der Reinigung aus der Steckdose ausstecken. Um einen Stromschlag zu vermeiden, das Gehäuse NICHT entfernen.

1. Das Gehäuse mit einem milden Haushaltsreiniger und einem abriebfreien Tuch oder Schwamm reinigen.

Befeuchter

HINWEIS: Zur Reinigung des Befeuchters die vom Hersteller zur Verfügung gestellten Anweisungen befolgen. Falls keine Anweisungen vorliegen, die nachstehenden Schritte durchführen:

1. Den Befeuchter jeden Tag reinigen.
2. Den Befeuchter mit Seifenwasser waschen und mit einer Lösung aus 10 Teilen Wasser und 1 Teil Essig ausspülen.
3. Gründlich mit heißem Wasser ausspülen und wieder mit destilliertem Wasser bis zu der am Befeuchter angegebenen Marke befüllen.

⚠️ WARNUNG

Befeuchterflasche NICHT überfüllen.

Modell Nr. IRC _____ Seriennr. _____



Yes, you can:

AUFZEICHNUNGEN ÜBER VORBEUGENE WARTUNG

BEI JEDER INSPEKTION

Datum der Wartung notieren																				
Betriebsstunden protokollieren																				
Gehäusefilter reinigen																				
Verschriebene Flussrate (l/min) prüfen																				
ALLE 4.380 STUNDEN																				
Sauerstoffkonzentration prüfen (EINHEITEN OHNE SensO₂)																				
ALLE 26.280 BETRIEBSSTUNDEN ODER ALLE 3 JAHRE, JE NACHDEM WAS ZUERST EINTRITT																				
Sauerstoffkonzentration prüfen (EINHEITEN MIT SensO₂)																				
WÄHREND DER VORBEUGENDEN WARTUNG ODER ZWISCHEN PATIENTEN																				
Gehäusefilter reinigen/ersetzen																				
HEPA-Auslassfilters prüfen*																				
Kompressor-Einlassfilter prüfen*																				
Netzaußfall-Alarm prüfen																				
NACH BEDARF																				
Wärmetauscher reinigen																				
Auslassschalldämpfer ersetzen																				
Kompressordeckel und Ventile ersetzen																				

*HINWEIS: Siehe Abschnitt „Vorbeugende Wartung“ im Service-Handbuch.

HINWEIS:

4.380 Betriebsstunden entsprechen einem täglichen Rund-um-die-Uhr-Einsatz von 6 Monaten.

26.280 Betriebsstunden entsprechen einem täglichen Rund-um-die-Uhr-Einsatz von 3 Jahren.

ABBILDUNG 6.2 VORBEUGENDE WARTUNG FÜR DEN PLATINUM-SAUERSTOFFKONZENTRATOR VON INVACARE

ABSCHNITT 7—ANLEITUNG ZUR FEHLERSUCHE

SYMPTOM:	MÖGLICHE URSACHE:	LÖSUNG:
<p>Alarm:</p> <p>Kurze Pieptöne, lange Pause</p> <p>Konzentrator funktioniert nicht, Netzschalter EIN.</p> <p>Piep.....Piep.....</p>	<p>Netzausfall:</p> <p>1. Netzkabel NICHT in Steckdose eingesteckt.</p> <p>2. Kein Strom an der Steckdose.</p> <p>3. Stromunterbrecher ausgelöst.</p>	<p>1. Kabel in die Steckdose stecken.</p> <p>2. Die Sicherungen im Haus prüfen. Wenn das Problem erneut auftritt, eine andere Steckdose verwenden.</p> <p>3. Den Kundendienst anrufen.</p>
<p>Alarm:</p> <p>Dauerton</p> <p>Konzentrator funktioniert nicht, Netzschalter EIN.</p> <p>Piiiiiiiiiiiiiep....</p>	<p>Systemversagen:</p> <p>1. Überhitzung des Geräts wegen blockierten Lufteinlasses.</p> <p>2. Ungenügende Spannung an der Steckdose.</p> <p>3. Interne Reparaturen erforderlich.</p>	<p>1a. Die Gehäusefilter herausnehmen und reinigen.</p> <p>1b. Konzentradorabstand zu Wänden, Vorhängen und Möbeln auf mindestens 7,5 cm erhöhen.</p> <p>2. KEINE Verlängerungskabel verwenden. Andere Steckdose oder anderen Stromkreis verwenden.</p> <p>3. Den Kundendienst anrufen.</p>

SYMPTOM:	MÖGLICHE URSACHE:	LÖSUNG:
<p>GELBE oder ROTE Anzeige leuchtet.</p> <p>Alarm: Dauerton Nur rote Leuchte an.</p>	<p>1. Geringe Sauerstoffreinheit.</p> <p>2. Knick bzw. Blockierung in Schlauch, Kanüle oder Befeuchter.</p> <p>3. Flussmesser auf 0,5 l/min oder weniger eingestellt.</p> <p>4. Überhitzung des Geräts wegen blockierten Lufteinlasses.</p> <p>5. Ungenügende Spannung an der Steckdose.</p> <p>6. Interne Reparaturen erforderlich.</p>	<p>1. Die Filter reinigen oder auswechseln.</p> <p>2. Auf Knicke oder Blockierungen untersuchen. Das entsprechende Teil korrigieren, reinigen oder ersetzen. Nach erfolgter Korrektur das Gerät 60 Sekunden lang AUSSCHALTEN und dann wieder EINSCHALTEN.</p> <p>3. Bestätigen, dass der Flussmesser auf mindestens 1,0 l/min eingestellt ist. (Siehe <u>Empfohlene Richtlinien für optimale Leistung</u> auf Seite 118.)</p> <p>4.a. Die Gehäusefilter herausnehmen und reinigen.</p> <p>4b. Konzentratorabstand zu Wänden, Vorhängen und Möbeln auf mindestens 7,5 cm erhöhen.</p> <p>5. KEINE Verlängerungskabel verwenden. Andere Steckdose oder anderen Stromkreis verwenden.</p> <p>6. Den Kundendienst anrufen.</p>
<p>GRÜNE Anzeige mit blinkender GELBER Anzeige.</p>	<p>1. Interne Reparaturen erforderlich.</p>	<p>1. Den Kundendienst anrufen.</p>

SYMPTOM:	MÖGLICHE URSACHE:	LÖSUNG:
<p>Alarm: SCHNELL</p> <p>Piep....Piep... Piep...Piep</p>	<p>Niedrig-Fluss-Alarm</p> <p>Ia. Knick bzw. Blockierung in Schlauch, Kanüle oder Befeuchter.</p> <p>Ib. Flussmesser auf 0,5 l/min oder weniger eingestellt.</p>	<p>Ia. Auf Knicke oder Blockierungen untersuchen. Das entsprechende Teil korrigieren, reinigen oder ersetzen. Nach erfolgter Korrektur das Gerät 60 Sekunden lang AUSSCHALTEN und dann wieder EINSCHALTEN.</p> <p>Ib. Flussmesser auf die vorgeschriebene Flussrate zurücksetzen. Flussraten unter 1 l/min sind nicht empfehlenswert.</p>

INGESCHRÄNKTE GARANTIE

Belgium & Luxembourg:

Invacare nv, Autobaan 22, B-8210
Loppem
Tel: (32) (0) 50 83 10 10
Fax: (32) (0) 50 83 10 11
belgium@invacare.com

Danmark:

Invacare A/S, Sdr. Ringvej 37, DK-2605
Brøndby
Tel: (45) (0)36 90 00 00
Fax: (45) (0)36 90 00 01
denmark@invacare.com

Deutschland:

Invacare Aquatec GmbH,
Alemannenstraße 10, D-88316 Isny
Tel: (49) (0)75 62 7 00 0
Fax: (49) (0)75 62 7 00 66
info@invacare-aquatec.com

European Distributor Organisation:

Invacare, Kleiststraße 49, D-32457 Porta
Westfalica
Tel: (49) (0)57 31 754 540
Fax: (49) (0)57 31 754 541
edo@invacare.com

España:

Invacare SA, c/Areny s/n, Poligon
Industrial de Celrà, E-17460 Celrà
(Girona)
Tel: (34) (0)972 49 32 00
Fax: (34) (0)972 49 32 20
contactsp@invacare.com

France:

Invacare Poirier SAS, Route de St Roch,
F-37230 Fondettes
Tel: (33) (0)2 47 62 64 66
Fax: (33) (0)2 47 42 12 24
contactfr@invacare.com

Ireland:

Invacare Ireland Ltd, Unit 5 Seatown
Business Campus,
Seatown Road, Swords, County Dublin
– Ireland
Tel: (353) 1 810 7084
Fax: (353) 1 810 7085
ireland@invacare.com

Italia:

Invacare Mecc San s.r.l., Via dei Pini 62,
I-36016 Thiene (VI)
Tel: (39) 0445 38 00 59
Fax: (39) 0445 38 00 34
italia@invacare.com

Nederland:

Invacare BV, Celsiusstraat 46, NL-6716
BZ Ede
Tel: (31) (0)318 695 757
Fax: (31) (0)318 695 758
nederland@invacare.com
csede@invacare.com

Norge:

Invacare AS, Grensesvingen 9, Postboks
6230, Etterstad, N-0603 Oslo
Tel: (47) (0)22 57 95 00
Fax: (47) (0)22 57 95 01
norway@invacare.com
island@invacare.com

Österreich:

Invacare Austria GmbH, Herzog
Odilostrasse 101, A-5310 Mondsee
Tel: (43) 6232 5535 0
Fax: (43) 6232 5535 4
info@invacare-austria.com

Sverige & Suomi:

Invacare AB, Fagerstagatan 9,
S-163 91 Spånga
Tel: (46) (0)8 761 70 90
Fax: (46) (0)8 761 81 08
sweden@invacare.com
finland@invacare.com

Switzerland:

Invacare AG,
Benkenstrasse 260, CH-4108 Witterswil
Tel: (41) (0)61 487 70 80
Fax: (41) (0)61 487 70 81
switzerland@invacare.com

United Kingdom:

Invacare Limited, Pencoed Technology
Park, Pencoed, Bridgend CF35 5HZ
Tel: (44) (0) 1656 776200
Fax: (44) (0) 1656 776201
Customer Services:
Tel: (44) (0) 1656 776222
Fax: (44) (0) 1656 776220
UK@invacare.com

Portugal:

Invacare Lda,
Rua Estrada Velha, 949, P-4465-784 Leça
do Balio
Tel: (351) (0)225 1059 46/47
Fax: (351) (0)225 1057 39
portugal@invacare.com

Podręcznik użytkownika

Platinum™

Standardowe koncentratory tlenu
z urządzeniami /SensO₂® i HomeFill®

Model IRC5LXAW
Model IRC5LXO2AW
Model IRC5LXO2AWQ
Model IRC9LXO2AWQ

Sprzedawca: Niniejszy podręcznik należy przekazać końcowemu użytkownikowi.

Użytkownik: Przed użyciem tego koncentratora przeczytaj niniejszy podręcznik i zachowaj go do wykorzystania w przyszłości.

Więcej informacji na temat produktów firmy Invacare, części zamiennych oraz usług serwisowych można znaleźć na stronie internetowej www.invacare.com



Yes, you can.®

OSTRZEŻENIE

NIE WOLNO STOSOWAĆ NINIEJSZEGO PRODUKTU, ANI ŻADNEGO Z URZĄDZEŃ DODATKOWYCH, PRZED ZAPOZNANIEM SIĘ Z NINIEJSZYMI INSTRUKCJAMI ORAZ ZE WSZYSTKIMI INNYMI WSKAZÓWKAMI, TAKIMI JAK TE, KTÓRE ZNAJDUJĄ SIĘ W PODRĘCZNIKU UŻYTKOWNIKA, PODRĘCZNIKU NAPRAW LUB NA ULOTKACH INFORMACYJNYCH DOSTARCZONYCH Z NINIEJSZYM PRODUKTEM LUB Z WYPOSAŻENIEM DODATKOWYM. W PRZYPADKU NIEMOŻNOŚCI ZROZUMIENIA OSTRZEŻEŃ, PRZESTRÓG LUB INSTRUKCJI PRZED PRÓBĄ UŻYCIA NINIEJSZEGO SPRZĘTU NALEŻY POROZUMIEĆ SIĘ Z LEKARZEM, SPRZEDAWCĄ LUB PRACOWNIKIEM DZIAŁU TECHNICZNEGO – W PRZECIWNYM RAZIE MOŻE DOJŚĆ DO OBRAŻEŃ CIAŁA UŻYTKOWNIKA.

WYPOSAŻENIE DODATKOWE

Z urządzeniem tym można stosować różne typy nawilzaczy, przewodów tlenowych, kaniul i masek. W celu uzyskania informacji, które z tych urządzeń są zalecane dla danego użytkownika, należy skontaktować się z miejscowym pracownikiem opieki zdrowotnej. Przekaze on również instrukcje dotyczące ich prawidłowego użytkowania, konserwacji i czyszczenia.

OSTRZEŻENIE

Produkty firmy Invacare zostały specjalnie zaprojektowane i wyprodukowane w celu stosowania ich z wyposażeniem dodatkowym firmy Invacare. Wyposażenie dodatkowe innych producentów nie zostało sprawdzone przez firmę Invacare i nie zaleca się jego stosowania z produktami firmy Invacare.

UWAGA: Uaktualnione wersje niniejszego podręcznika są dostępne na stronie internetowej www.invacare.com.

SPIS TREŚCI

Uwagi specjalne	135
Informacje dotyczące utylizacji	137
Część 1—Ogólne wskazówki	138
Konserwacja	140
Zakłócenia częstotliwości radiowych	140
W celu zmniejszenia ryzyka oparzeń, śmiertelnego porażenia prądem elektrycznym, pożaru lub obrażeń ciała.....	140
Koncentracja tlenu.....	141
Część 2—Funkcje	142
Część 3—Wysyłka i posługiwanie się urządzeniem	143
Rozpakowywanie.....	143
Kontrola	143
Przechowywanie.....	144
Część 4—Typowe parametry produktu	145
Część 5—Instrukcja obsługi	150
Wstęp	150
Wybór miejsca.....	150
Zalecane wytyczne w celu zapewnienia optymalnej wydajności.	151
Podłączanie przewodu zasilania.....	152
Przełącznik zasilania	154
Szybkość przepływu.....	155
Wskaźniki czystości tlenu SensO ₂ (model czujnika LX O ₂)..	156
Lampki kontrolne (model LX).....	157
Układ alarmu braku zasilania.....	158
Licznik upływu czasu (licznik godzin).....	158
Część 6—Konserwacja	159
Konserwacja rutynowa	159
Część 7—Rozwiązywanie problemów	162
OGRANICZONA GWARANCJA	165

Uwagi specjalne

W niniejszym podręczniku użyto pewnych określeń ostrzegawczych, odnoszących się do zagrożeń lub czynności niebezpiecznych, które mogą doprowadzić do obrażeń ciała użytkownika lub do uszkodzenia mienia. W poniższej tabeli zamieszczono definicje określeń ostrzegawczych.

OKREŚLENIE OSTRZEGAWCZE	ZNACZENIE
NIEBEZPIECZEŃSTWO	„Niebezpieczeństwo” oznacza sytuację nadchodzącego ryzyka, które – o ile nie uda się go uniknąć – doprowadzi do śmierci lub poważnych obrażeń ciała.
OSTRZEŻENIE	„Ostrzeżenie” oznacza sytuację możliwego ryzyka, które – o ile nie uda się go uniknąć – może doprowadzić do śmierci lub poważnych obrażeń ciała.
PRZESTROGA	„Przestroga” wskazuje sytuację możliwego ryzyka, które – o ile nie uda się go uniknąć – może spowodować uszkodzenie mienia.

POWIADOMIENIE

Informacje zawarte w niniejszym dokumencie mogą ulec zmianie bez powiadomienia.

⚠ NIEBEZPIECZEŃSTWO

Podczas użytkowania niniejszego urządzenia **NIE WOLNO** palić tytoniu. W pomieszczeniu, w którym znajduje się produkt, nie wolno trzymać zapalek, zapalonych papierosów lub innych źródeł zapłonu. Znak zakazu palenia powinien zostać umieszczony w widocznych miejscach. W powietrzu wzbogaconym tlenem tekstylia i inne materiały, które w zwykłych warunkach nie palą się, mogą łatwo ulec zapaleniu i płonąć z dużą intensywnością. Niezastosowanie się do niniejszego ostrzeżenia może spowodować duży pożar, uszkodzenie mienia oraz obrażenia ciała lub śmierć użytkowników.

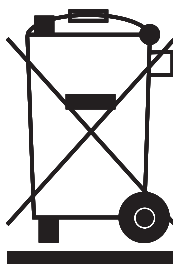
Informacje dotyczące utylizacji

Ten produkt jest dostarczany przez producenta dbającego o środowisko i przestrzegającego dyrektywy 2002/96/CE dotyczącej zużytych urządzeń elektrycznych i elektronicznych (WEEE).

Produkt może zawierać substancje, które mogą być szkodliwe dla środowiska, jeśli zostaną wyrzucone w miejscach (składowiskach odpadów) nieodpowiadających przepisom.

Symbol przekreślonego kosza na śmieci został umieszczony na tym produkcie w celu zachęcenia użytkownika do stosowania – w miarę możliwości – recyklingu.

Należy być odpowiedzialnym za środowisko naturalne i utylizować produkt, przekazując go po zakończeniu użytkowania do zakładu recyklingu.



Część I – Ogólne wskazówki

⚠ OSTRZEŻENIE

CZĘŚĆ 1 – OGÓLNE WSKAZÓWKI zawiera ważne informacje dotyczące bezpiecznej obsługi i eksploatacji niniejszego produktu.

W celu zapewnienia bezpiecznej instalacji, montażu i działania koncentratora Platinum **MUSZA** być przestrzegane niniejsze instrukcje.

PRZESTROGA

„Przeostoga: Obowiązujące prawo może ograniczyć sprzedaż tego urządzenia tylko do sprzedaży na zamówienie lekarza lub innej osoby posiadającej zgodną z prawem lub wystawioną przez agencję rządową licencję, w której zostało umieszczone stwierdzenie, że dana osoba potrafi stosować lub może zamówić to urządzenie.”

⚠ NIEBEZPIECZEŃSTWO

Ryzyko porażenia prądem elektrycznym. **NIE WOLNO** zdemontowywać urządzenia. W przypadku konieczności serwisowania należy przekazać je wykwalifikowanemu pracownikowi serwisu.

⚠ OSTRZEŻENIA

Aby zmniejszyć ryzyko pożaru, stosowanie terapii tlenowej wymaga szczególnej uwagi. Przy dużej koncentracji tlenu wszystkie materiały palące się na powietrzu oraz niektóre materiały niepalne mogą łatwo się zapalić i szybko spłonąć. Ze względów bezpieczeństwa niezbędne jest usunięcie wszelkich źródeł zapłonu z otoczenia produktu, jak również z pomieszczenia, w którym jest on używany.

W widocznych miejscach należy umieścić znaki ZAKAZ PALENIA.

Może nastąpić spontaniczny i gwałtowny zapłon, jeśli olej, smar lub substancje smarne zetkną się z tlenem pod ciśnieniem. Substancje te MUSZĄ być przechowywane z dala od koncentratora tlenu, przewodów i złączy oraz wszystkich innych urządzeń tlenowych. NIE WOLNO używać żadnych smarów, jeśli nie zostaną one wyraźnie zalecone przez firmę Invacare.

W celu uzyskania optymalnej wydajności firma Invacare zaleca, aby koncentrator był za każdym razem uruchamiany na co najmniej 30 minut. Krótsze czasy mogą skrócić maksymalny okres użytkowania produktu.

Jeśli koncentrator ma uszkodzony przewód lub wtyczkę, nie działa poprawnie, został upuszczony lub uszkodzony albo wpadł do wody, należy wezwać wykwalifikowanego pracownika serwisu w celu sprawdzenia i naprawy urządzenia.

Przewody tlenowe, przewód zasilania i urządzenie powinny znajdować się z dala od nagranych lub gorących powierzchni, w tym grzejników, koców elektrycznych, kuchenek i podobnych urządzeń elektrycznych.

NIE WOLNO przesuwać ani przemieszczać koncentratora, ciągnąć za przewód.

NIE WOLNO upuszczać ani wkładać żadnych przedmiotów w jakikolwiek otwór.

NIE WOLNO zakrywać otworów wentylacyjnych produktu ani umieszczać go na miękkiej powierzchni, takiej jak łóżko lub kanapa, gdzie otwory wentylacyjne mogą zostać zablokowane. Z otworów należy usuwać włókna, włosy itp.

Nawilżacz należy napełniać wodą do poziomu wskazanego przez producenta. NIE WOLNO go przepęłnić.

Urządzenie powinno się znajdować w odległości co najmniej 7,5 cm od ścian, zasłon, mebli itp.

Firma Invacare zaleca, aby z urządzeniem tym stosować przewody tlenowe Crushproof (dostarczane przez firmę Invacare), których długość NIE powinna przekraczać 15,2 m. Zalecane uycie Platinum 9 to rurki wysokoprężywowe o maksymalnej długości 50 stóp.

Konserwacja

Koncentrator tlenu firmy Invacare został specjalnie zaprojektowany w celu zminimalizowania corocznej rutynowej konserwacji zapobiegawczej. Konserwacja zapobiegawcza lub regulacja koncentratora tlenu może być przeprowadzana wyłącznie przez personel medyczny lub osoby dokładnie znające ten proces, np. autoryzowanych i przeszkolonych w fabryce pracowników serwisu.

Zakłócenia częstotliwości radiowych

Większość urządzeń elektronicznych podlega wpływowi zakłóceń częstotliwości radiowych (RFI, Radio Frequency Interference). Należy zachować ostrożność w przypadku korzystania z przenośnych urządzeń komunikacyjnych w pobliżu takiego sprzętu.

W celu zmniejszenia ryzyka oparzeń, śmiertelnego porażenia prądem elektrycznym, pożaru lub obrażeń ciała

Urządzenia nie wolno używać podczas kąpieli. Jeśli lekarz zalecił stałe stosowanie:

Koncentrator należy umieścić w innym pomieszczeniu, w odległości co najmniej 2,1 m od łazienki.

NIE WOLNO dotykać koncentratora, dopóki jest on wilgotny.

NIE WOLNO pozostawiać włączonego produktu bez nadzoru.

Produktu NIE WOLNO umieszczać ani przechowywać w miejscach, gdzie może spaść do wody lub innej cieczy.

NIE WOLNO dotykać produktu, który wpadł do wody. Urządzenie należy NATYCHMIAST odłączyć od sieci zasilającej.

Urządzenie należy stosować wyłącznie zgodnie ze wskazaniami lekarza i niniejszym podręcznikiem użytkownika. Jeśli kiedykolwiek pacjent lub osoba towarzysząca stwierdzą, że ilość dostarczanego tlenu jest niewystarczająca, należy NATYCHMIAST skontaktować się z dostawcą i/lub lekarzem. Nie wolno samodzielnie regulować szybkości przepływu, jeśli nie zostało to zalecone przez lekarza.

Jeżeli produkt jest używany w pobliżu dzieci lub osób niepełnosprawnych fizycznie, należy zapewnić ścisły nadzór.

Produkt należy stosować wyłącznie zgodnie z przeznaczeniem podanym w niniejszym podręczniku.

Koncentratora NIE WOLNO podłączać równolegle ani szeregowo z innymi koncentratorami tlenu bądź urządzeniami do terapii tlenowej.

Korzystanie z niektórych akcesoriów do podawania lub nawilżaczy, które nie są przeznaczone do używania z koncentratorem tlenu, może niekorzystnie wpłynąć na wydajność urządzenia.

W pewnych okolicznościach terapia tlenowa może stanowić zagrożenie. Firma Invacare zaleca skorzystanie z porady medycznej przed użyciem tego urządzenia.

Urządzenie służy do uzupełniania tlenu, a nie do podtrzymywania lub ratowania życia.

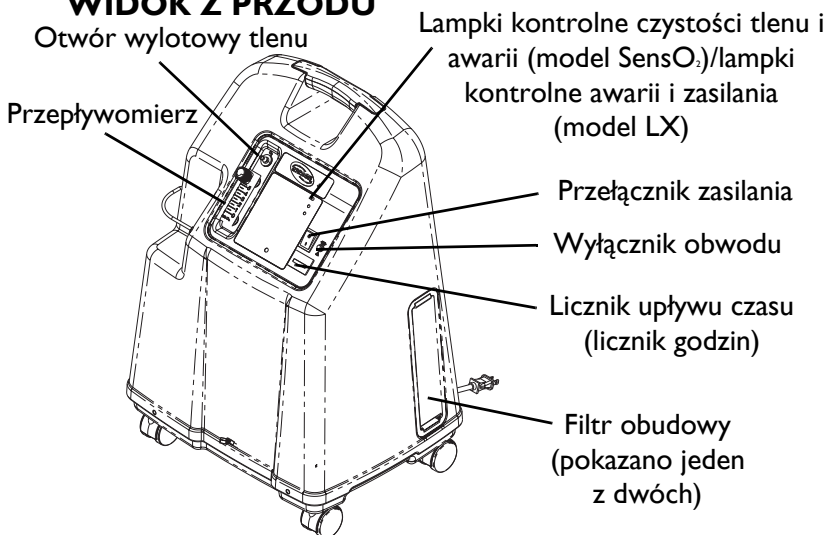
Należy unikać sytuacji powodującej powstawanie iskier w pobliżu tlenowych urządzeń medycznych. Dotyczy to iskier spowodowanych przez elektryczność statyczną, powstającą przy każdym rodzaju tarcia.

Koncentracja tlenu

Należy uważać, aby nie ustawiać przepływu tlenu powyżej CZERWONEGO pierścienia. Przepływ tlenu większy niż 5L/min (IRC5LXO2AW, IRC5LXAW, IRC5LXO2AWQ) i 9L/min. (IRC9LXO2AWQ) zmniejszy stężenie tlenu.

Część 2-Funkcje

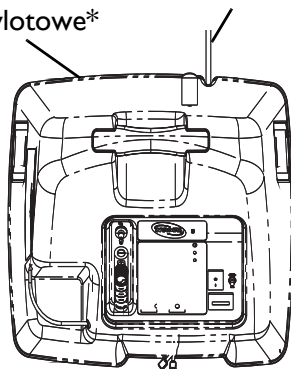
WIDOK Z PRZODU



** UWAGA: To gniazdo wylotowe służy wyłącznie do napełniania butli z tlenem za pomocą domowego kompresora tlenu HomeFill. Nie ma ono wpływu na wydajność koncentratora. Informacje na temat połączeń i obsługi można znaleźć w podręczniku użytkownika urządzenia HomeFill, numer części 1145804. Nieużywane gniazdo wylotowe należy zatkać korkiem dostarczonym z koncentrATOREM. Aby uzyskać więcej informacji na temat kompresora HomeFill, należy skontaktować się z firmą Invacare.*

Przewód zasilania

Gniazdo wylotowe*



WIDOK Z GÓRY

WYPOSAŻENIE DODATKOWE (NIEPOKAZANE):

Domowy kompresor tlenu HomeFill

Aby uzyskać informacje na temat dostępnego wyposażenia dodatkowego, należy skontaktować się z lokalnym przedstawicielem firmy Invacare.

Część 3–Wysyłka i posługiwanie się urządzeniem

UWAGA: Informacje na temat tej procedury można znaleźć na RYSUNEK 3.1.

Przed zainstalowaniem i rozpoczęciem eksploatacji koncentratora należy zapoznać się z podręcznikiem użytkownika urządzeń z serii Platinum.

Koncentrator Platinum powinien ZAWSZE znajdować się w pozycji pionowej, aby zapobiec uszkodzeniu obudowy podczas transportu. Opakowanie transportowe zostało zaprojektowane w celu zapewnienia maksymalnej ochrony koncentratora.

Jeśli koncentrator ma zostać ponownie wysłany przy użyciu ogólnie dostępnej firmy transportowej, należy zapakować go w nowy karton. Dodatkowe kartony są dostępne w firmie Invacare.

Układ zawieszenia kompresora powietrza został skonstruowany w taki sposób, aby mógł wytrzymać silne ruchy i zmiany położenia.

Rozpakowywanie

1. Sprawdź, czy karton lub jego zawartość nie są uszkodzone. W przypadku wyraźnego uszkodzenia zawiadom firmę transportową lub firmę Invacare.
2. Wyjmij z kartonu wszystkie luźne części.
3. Ostrożnie wyjmij z kartonu wszystkie elementy urządzenia.

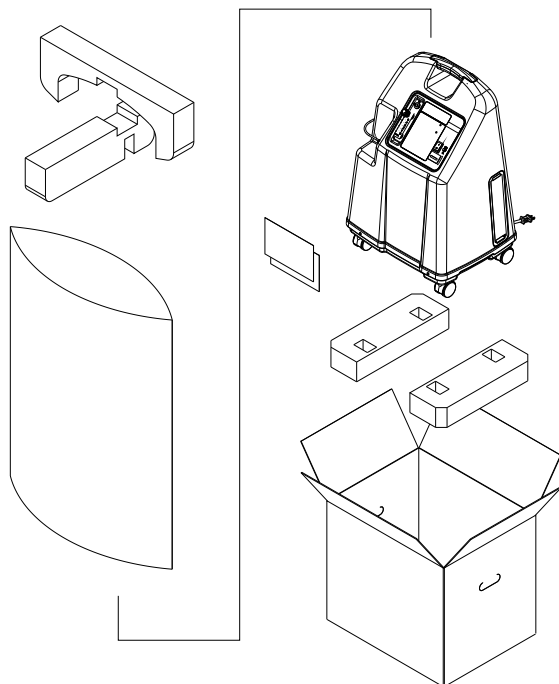
UWAGA: Zachowaj karton i materiały służące do pakowania w celu przechowywania urządzenia Platinum.

Kontrola

1. Sprawdź powierzchnię zewnętrzną koncentratora, upewniając się, że nie ma wyszczerbień, wgnieceń, zadrapań lub innych uszkodzeń. Sprawdź wszystkie elementy.








Przechowywanie

1. Rozpakowany koncentrator tlenu należy przechowywać w suchym miejscu.
2. Na ponownie zapakowanym koncentratorze **NIE WOLNO** umieszczać innych przedmiotów.



RYSUNEK 3.1 Rozpakowywanie

Część 4-Typowe parametry produktu

Wykaz norm:	EN/IEC 60601-1
	Prąd zmienny
	Urządzenie typu BF
	Urządzenie pracuje
	Urządzenie nie pracuje
	Uwaga – Należy zapoznać się z dostarczoną dokumentacją
	ZAKAZ palenia
	Klasa II, podwójna izolacja

Wymagania elektryczne:	Prąd zmienny 230 V \pm 10 % (253 V/207 V), 50 Hz
Nominalny prąd wejściowy:	1,4 A (IRC5LXO2AWQ)
	2,0 A (IRC5LXAW, IRC5LXO2AW)
	2,3 A (IRC9LXO2AWQ)
Poziom dźwięku:	Średnio 39,5 dB (IRC5LXO2AWQ)
	Średnio 44 dB (IRC5LXAW, IRC5LXO2AW)
	Średnio 50 dB (IRC9LXO2AWQ)
Wysokość n.p.m.:	IRC5LXAW, IRC5LXO2AWQ, and IRC5LXO2AWQ - Do 1828 metrów powyżej poziomu morza bez pogorszenia poziomów koncentracji. NIE ZALECA SIĘ UŻYWANIA NA WYSOKOŚCI POWYŻEJ 1828 m
	IRC9LXO2AWQ - maksymalnie 4000 stóp. (1230 metrów) nad poziomem morza, bez obniżenia poziomów stenia. Od 4000 stóp (1230 metrów) do 13 129 stóp (4000 metrów) przy wydajności poniżej 90%.

Część 4–Typowe parametry produktu



<p>* Otwór wylotowy tlenu Poziomy koncentracji: Wszystkie modele 5LXO2AWQ/5LXAW/ 5LXO2AW * (Podano poziomy koncentracji osiągnięte po okresie początkowego nagrzewania, trwającym około 30 minut).</p>	<p>IRC5LXAW, IRC5LXO2AW, IRC5LXO2AWQ Minimum 93% przy 1 do 3L/min. Minimum 91% przy 4L/min. Minimum 87% przy 5L/min. (maksymalny zalecany przepływ) IRC9LXO2AWQ - Minimum 92% przy 1 do 2L/min. Minimum 91% przy 8L/min. Minimum 87% przy 9L/min. Minimum 93% przy 3 do 7L/min.</p>
<p>Maksymalne ciśnienie wylotowe:</p>	<p>IRC5LXAW, IRC5LXO2AW, IRC5LXO2AWQ 34,5 ± 3,45 kPa (5 ± 0,5 psi)</p> <p>IRC9LXO2AWQ 62,0 kPa ± 3,45 kPa (9 ± 0,5 psi)</p>
<p>Zakres przepływu:</p>	<p>IRC5LXAW, IRC5LXO2AW, and IRC5LXO2AWQ 0,5–5 l/min. Szybkości przepływu poniżej 1 l/min nie są zalecane</p> <p>IRC9LXO2AWQ - 1l/min. do 9L/min. Prdkoci przepływu nisze ni 1l/min. nie s zalecane.</p>
<p>Alarm niskiego przepływu:</p>	<p>0–0,5 l/min. Szybkie sygnały dźwiękowe (bez podłączonego wyposażenia dodatkowego)</p>
<p>Średnie zużycie energii:</p>	<p>(IRC5LXO2AWQ) 300 W 280 W @ ≤ 3 L/min</p> <p>(IRC5LXO2AW) 365 W 340 W @ ≤ 3 L/min</p> <p>380 W (IRC5LXAW)</p> <p>460 W (IRC9LXO2AWQ)</p>
<p>Mechanizm uwalniania ciśnienia działa przy:</p>	<p>241 kPa ± 24,1 kPa (35 psi ± 3,5 psi)</p>
<p>Zmiana maksymalnego zalecanego przepływu w przypadku zastosowania ciśnienia wstecznego 7 kPa:</p>	<p>0,7 l/min</p>

Filtry:	Obudowy (2), wylotowy HEPA i wlotowy kompresora
System zabezpieczeń:	Wyłączenie w razie przeciążenia prądowego lub przepięcia. Wyłączenie w razie wysokiej temperatury kompresora. Alarm wysokiego ciśnienia z wyłączeniem kompresora. Alarm niskiego ciśnienia z wyłączeniem kompresora. Alarm braku zasilania. Alarm niskiego przepływu systemu tlenowego SensO ₂ (model SensO ₂).
Szerokość:	46,7 cm ± 1 cm
Wysokość:	67,0 cm ± 1 cm
Głębokość:	36,5 cm ± 1 cm
Waga:	IRC5LXAW, IRC5LXO2AW, IRC5LXO2AWQ - 23,6 kg ± 1 kg
	IRC9LXO2AWQ - 24,0 kg ± 1 kg
Waga przesyłki:	IRC5LXAW, IRC5LXO2AW, IRC5LXO2AWQ - 26,8 kg ± 1 kg
	IRC9LXO2AWQ - 27,2 kg ± 1 kg
Temperatura otoczenia pracy:	10–35 °C przy wilgotności względnej 20–60 %.
Wylot:	Poniżej temperatury otoczenia +19 °C
Tlen wyjściowy:	Poniżej temperatury otoczenia +2 °C
Obudowa:	Plastikowa obudowa odporna na uderzenia, niepalna, odpowiadająca normie UL 94-V0.


Część 4–Typowe parametry produktu

Wykaz norm:	IRC5LXAW/IRC5LXO2AW/ IRC5LXO2AWQ/IRC9LXO2AWQ Firma ETL przetestowała na zgodność z: EN5501 I EN61000-3-2 EN61000-3-3 IEC 60601-1, A1, A2 IEC 60601-1-2 Tylko modele IRC5LXO2AW/IRC5LXO2AWQ/ IRC9LXO2AWQ ISO8359 MDD
Modele oznaczone znakiem CE:	IRC5LXO2AW, IRC5LXO2AWQ, IRC9LXO2AWQ
Elektryczne:	Nie stosować przedłużaczy.
Ustawienie:	Nie bliżej niż 7,5 cm od jakiegokolwiek ściany, mebli, zasłon lub podobnych powierzchni.
Przewody:	IRC5LXAW, IRC5LXO2AW, IRC5LXO2AWQ Kaniula donosowa z przewodem 2,1 m oraz przewód odporny na zgniatanie (typu Crush-Proof) o maksymalnej długości 15,2 m (NIE przygniatać przewodu). IRC9LXO2AWQ - Zalecane uycie z rurkami wysokoprzeplywowymi o maksymalnej prdkoci 50 stóp, z kaniul wysokoprzeplywow przy wszystkich prdkociach przeplywu.
Wilgotność względna:	20–60 %
Czas pracy:	Do 24 godzin dziennie.
Zalecana temperatura przechowywania i transportu:	Od -29 °C do 65 °C przy wilgotności względnej 15–95 %.

Wskazniki SensO₂

ETYKIETA SYMBOL	STAN	LAMPKI KONTROLNE (DIODY LED)
O ₂	SYSTEM OKAY (System OK) O ₂ powyżej 85 % (±2 %)	ZIELONA lampka kontrolna
	O ₂ od 73 % (±3 %) do 85 % (±2 %)	ŻÓŁTA lampka kontrolna A. Świeci stale na ŻÓŁTO B. Miga na ŻÓŁTO Awaria Skontaktuj się z wykwalifikowanym technikiem.
	SYSTEM FAILURE (Awaria systemu) O ₂ poniżej 73 % (±3 %)	CZERWONA lampka kontrolna Patrz <u>Rozwiązywanie problemów</u> na stronie 162.

Wskazniki LX

ETYKIETA SYMBOL	STAN	LAMPKI KONTROLNE (DIODY LED)
I/O	SYSTEM OKAY (System OK)	ZIELONA lampka kontrolna
	SYSTEM FAILURE (Awaria systemu)	CZERWONA lampka kontrolna Ciągły alarm dźwiękowy Sieve-GARD™ ; wyłączenie kompresora Skontaktuj się z wykwalifikowanym technikiem.

Część 5-Instrukcja obsługi

Wstęp

Koncentrator tlenu jest przeznaczony do indywidualnego użytku domowego. Jest to urządzenie elektroniczne, oddzielające tlen od powietrza atmosferycznego. Dostarcza ono tlen w dużym stężeniu bezpośrednio do kaniuli donosowej. Badania kliniczne dowiodły, że koncentratory tlenu stanowią terapeutyczny odpowiednik innych typów systemów dostarczania tlenu.

Sposób używania koncentratora tlenu przedstawi dostawca. Należy się z nim skontaktować w przypadku pojawienia się pytań lub problemów związanych z koncentratorem tlenu. Podręcznik użytkownika zawiera informacje o koncentratorze i służy jako odniesienie podczas jego użytkowania.

Wybór miejsca

Istnieje możliwość wyboru takiego pomieszczenia w domu, w którym korzystanie z koncentratora tlenu będzie najwygodniejsze. Dzięki zamontowanym kółkom urządzenie można łatwo przewozić z pokoju do pokoju.

Koncentrator tlenu będzie najlepiej działał w następujących warunkach. Użytkowanie w warunkach innych niż opisane może spowodować konieczność częstszej konserwacji urządzenia. Aby uniknąć zanieczyszczeń unoszących się w powietrzu i/lub dymu, wlot powietrza urządzenia powinien znajdować się w dobrze przewietrzanym miejscu.

Zalecane wytyczne w celu zapewnienia optymalnej wydajności

Temperatura:	10–35 °C
Elektryczne:	Nie stosować przedłużaczy.
Ustawienie:	W odległości co najmniej 7,5 cm od ściany, mebli, zasłon lub podobnych powierzchni.
Przewody i kaniula:	IRC5LXAW, IRC5LXO2AW, IRC5LXO2AWQ Kaniula donosowa z przewodem 2,1 m oraz przewód odporny na zgniatanie (typu Crush-Proof) o maksymalnej długości 15,2 m (NIE przygniatać przewodu).
	IRC9LXO2AWQ - Zalecane uycie z rurkami wysokoprzepływowymi o maksymalnej prdkoci 50 stóp, z kaniul wysokoprzepływ przy wszystkich prdkociach przepływu.
Środowisko:	Bez dymu i sadzy. Nie używać na ograniczonych przestrzeniach (np. w toalecie).
Wilgotność względna:	20–60 %
Czas pracy:	Do 24 godzin dziennie.
Szybkość przepływu	IRC5LXAW, IRC5LXO2AW, IRC5LXO2AWQ Od 0,5 l/min do 5 l/min. Szybkości przepływu poniżej 1 l/min nie są zalecane.
	IRC9LXO2AWQ - 1L/min. do 9L/min. Prdkoci przepływu niszze ni 1L/min. nie s zalecane.
Minimalny czas pracy:	30 minut

UWAGA: W celu zapewnienia wystarczającego dopływu powietrza należy się upewnić, że koncentrator znajduje się w odległości przynajmniej 7,5 cm od ścian, zasłon lub mebli. Należy unikać puszystych dywanów, grzejników, kaloryferów lub źródeł gorącego powietrza.

Podłączanie przewodu zasilania

1. Podłącz przewód zasilania do gniazda elektrycznego.

Podłączanie nawilżacza (o ile jest takie zalecenie)

UWAGA: Informacje na temat tej procedury można znaleźć na RYSUNEK 5.1 na stronie 152, RYSUNEK 5.2 na stronie 152, RYSUNEK 5.3 na stronie 153 i RYSUNEK 5.4 na stronie 154.

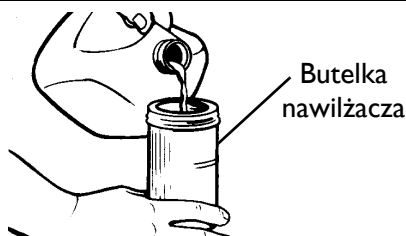
1. Napełnij nawilżacz wodą destylowaną do poziomu wskazanego przez producenta. (Wskazówki można uzyskać od firmy Invacare.)

⚠ OSTRZEŻENIA

NIE WOLNO przepelniać nawilżacza.

Założ pokrywę nawilżacza i dobrze ją dokręć.

NIE WOLNO zamieniać podłączeń wejściowych i wyjściowych tlenu. Woda z butelki nawilżacza może się przedostać przez kaniulę z powrotem do pacjenta.



RYSUNEK 5.1 Napełnianie nawilżacza

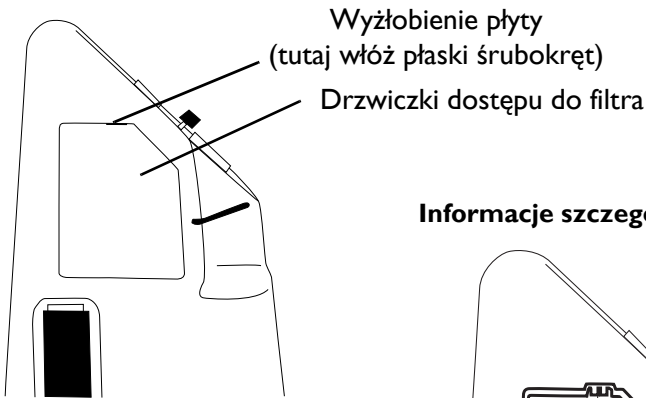
2. Włóż butelkę nawilżacza do komory nawilżacza.



RYSUNEK 5.2 Komora nawilżacza

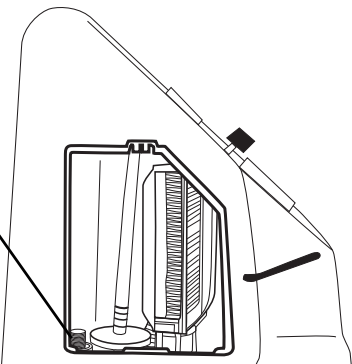
3. Zdejmij drzwiczki dostępu do filtra, znajdujące się z boku koncentratora. Włóż płaski śrubokręt w wyłobienie płyty przy górnej krawędzi drzwiczek dostępu do filtra i delikatnie je podważ w celu ich otworzenia. Patrz informacja szczegółowa „A” na RYSUNEK 5.3.
4. Łącznik nawilzacza znajduje się obok filtra wlotowego. Pociągnij i wyjmij łącznik butelki nawilzacza. Patrz Informacje szczegółowe „B” na RYSUNEK 5.3.
5. Podłącz ją do nawilzacza, obracając nakrętkę skrzydełkową na butelce nawilzacza w lewo do momentu jej odpowiedniego dokręcenia. Patrz Informacje szczegółowe „C” na RYSUNEK 5.3.

Informacje szczegółowe „A”



Informacje szczegółowe „B”

Łącznik butelki
nawilzacza



Informacje szczegółowe „C”



RYSUNEK 5.3 Podłączanie łącznika butelki nawilzacza

6. Podłącz przewody tlenowe z butelki nawilzacza do złącza otworu wylotowego tlenu koncentratora tlenu.
7. Do wylotu butelki nawilzacza podłącz kaniulę/przewody dostarczające dla pacjenta.
8. Po zmontowaniu sprawdź, czy tlen przepływa przez kaniulę.
9. Załóż drzwiczki dostępu do filtra z boku koncentratora, zatraskując je z powrotem w wyżłobieniu płyty.



RYSUNEK 5.4 Podłączanie przewodów tlenowych

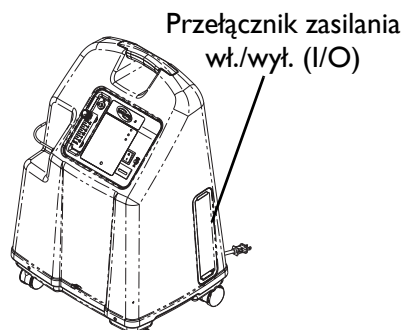
⚠ OSTRZEŻENIE

W celu uzyskania optymalnej wydajności firma Invacare zaleca, aby koncentrator był za każdym razem uruchamiany na co najmniej 30 minut. Krótsze czasy mogą skrócić maksymalny okres użytkowania produktu.

Przełącznik zasilania

UWAGA: Informacje na temat tej procedury przedstawiono na RYSUNEK 5.5.

1. Włącz przełącznik zasilania. Wszystkie lampki na panelu oraz alarm dźwiękowy zostaną włączone na jedną sekundę, wskazując, że urządzenie działa prawidłowo.



RYSUNEK 5.5 Przełącznik zasilania

Szybkość przepływu

UWAGA: Informacje na temat tej procedury przedstawiono na RYSUNEK 5.6.

1. Ustaw pokrętko szybkości przepływu w położeniu zaleconym przez lekarza lub specjalistę.

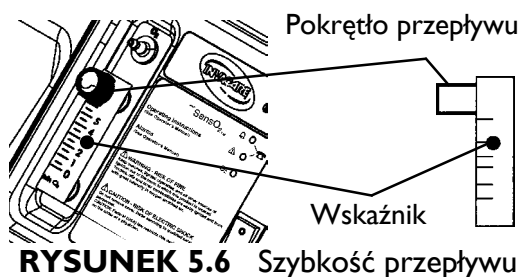
⚠ OSTRZEŻENIE

NIE WOLNO zmieniać ustawienia l/min na przepływomierzu, o ile zmiana nie została zalecona przez lekarza lub specjalistę.

UWAGA: Aby prawidłowo odczytać wskazanie przepływomierza, należy znaleźć na nim linię zalecanej szybkości przepływu. Następnie należy obracać pokrętko przepływu do momentu, aż wskaźnik osiągnie tę linię. Teraz należy ustawić środek wskaźnika na zaleconej linii l/min.

2. Jeśli szybkość przepływu na przepływomierzu kiedykolwiek opadnie poniżej 0,5 l/min na dłużej niż jedną minutę, zostanie uruchomiony alarm LOW FLOW (Niski przepływ). Są to szybkie sygnały dźwiękowe. Sprawdź przewody lub wyposażenie dodatkowe, upewniając się, czy przewody nie zostały zablokowane albo zagięte, a butelka nawilzacza nie jest wadliwa. Po przywróceniu odpowiedniego przepływu powyżej 0,5 l/min alarm LOW FLOW (Niski przepływ) wyłączy się.

UWAGA: Zastosowanie pewnych akcesoriów, takich jak pediatryczna przystawka do zwalniania przepływu i kompresor HomeFill, spowoduje wyłączenie alarmu niskiego przepływu.



Wskaźniki czystości tlenu SensO₂ (model czujnika LX O₂)

Ta funkcja służy do monitorowania czystości tlenu wytwarzanego przez koncentrator. Jeśli czystość spadnie poniżej ustawionych standardów fabrycznych, zaświeci się lampka kontrolna na panelu sterowania.

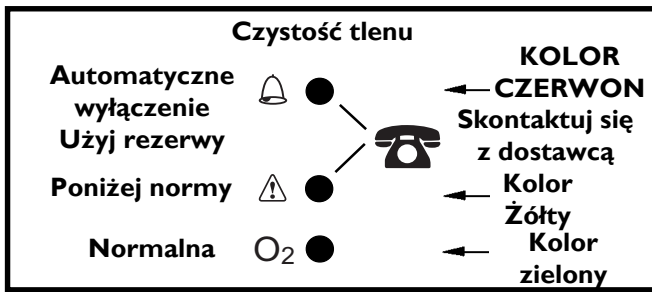
Początkowe uruchomienie koncentratora

UWAGA: Koncentratora można używać podczas początkowego okresu nagrzewania (około 30 min), oczekując na osiągnięcie maksymalnej czystości O₂.

Po włączeniu urządzenia zaświeci się ZIELONA lampka (SYSTEM OK/O₂ powyżej 85 %). Po pięciu minutach czujnik tlenu będzie działał normalnie i sterował lampkami kontrolnymi w zależności od wartości koncentracji tlenu.


Objaśnienie dotyczące lampek kontrolnych czystości tlenu


UWAGA: Informacje na temat tej procedury przedstawiono na RYSUNEK 5.7.



RYSUNEK 5.7 Wskaźniki czystości tlenu SensO₂ (model czujnika LX O₂)

Lampka ZIELONA (O₂) – normalna praca.

Lampka ŻÓŁTA () – NATYCHMIAST skontaktuj się z dostawcą. Można kontynuować korzystanie z koncentratora, o ile dostawca nie zaleci innego postępowania. Upewnij się, że w pobliżu znajduje się rezerwowe źródło tlenu.

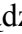
Lampka CZERWONA () – całkowite wyłączenie urządzenia. NATYCHMIAST przełącz się na rezerwowe źródło tlenu. BEZZWŁOCZNIE skontaktuj się z dostawcą (RYSUNEK 5.7).

Lampka ZIELONA – z migającą lampką ŻÓŁTĄ – NATYCHMIAST skontaktuj się z dostawcą. Czujnik tlenu nie działa prawidłowo; można kontynuować używanie koncentratora (RYSUNEK 5.7).

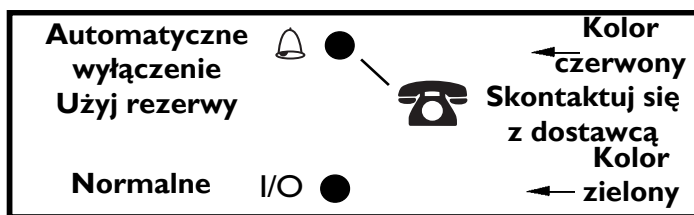
Lampki kontrolne (model LX)

UWAGA: Informacje na temat tej procedury przedstawiono na RYSUNEK 5.8.

Objaśnienie dotyczące lampek kontrolnych modeli LX

Lampka CZERWONA () – całkowite wyłączenie urządzenia. NATYCHMIAST przełącz się na zapasowe źródło tlenu. BEZZWŁOCZNIE skontaktuj się z dostawcą.

Lampka ZIELONA (I/O) – wł./wył. System działa poprawnie.



RYSUNEK 5.8 Lampki kontrolne (model LX)

Układ alarmu braku zasilania

Układ alarmu nie zawiera baterii, dzięki czemu nie wymaga konserwacji. Jest on zasilany z kondensatora, który jest cały czas ładowany i gotowy do uruchomienia alarmu w razie awarii zasilania.

Licznik upływu czasu (licznik godzin)

Licznik godzin wyświetla łączną liczbę godzin pracy urządzenia.

Część 6–Konserwacja

UWAGA: Koncentratory firmy Invacare zostały specjalnie zaprojektowane w celu zminimalizowania rutynowej konserwacji zapobiegawczej. W miejscach o dużym stężeniu kurzu lub sadzy niezbędne może być częstsze przeprowadzanie konserwacji.

Konserwację zapobiegawczą koncentratora mogą wykonywać tylko osoby upoważnione lub przeszkolone w fabryce. Przed rozpoczęciem konserwacji koncentratora firmy Invacare należy odłączyć zasilanie.

UWAGA: Konserwacja MUSI być wykonana przynajmniej według wytycznych konserwacji. Patrz Rejestr konserwacji zapobiegawczej koncentratora tlenu Platinum firmy Invacare na stronie 161.

Konserwacja rutynowa

UWAGA: Następujące czynności konserwacji rutynowej należy wykonywać częściej. Patrz zalecane odstępy czasu w każdej części i rejestr konserwacji zapobiegawczej.

Czyszczenie filtra obudowy

UWAGA: Informacje na temat tej procedury przedstawiono na RYSUNEK 6.1 na stronie 160.

PRZESTROGA

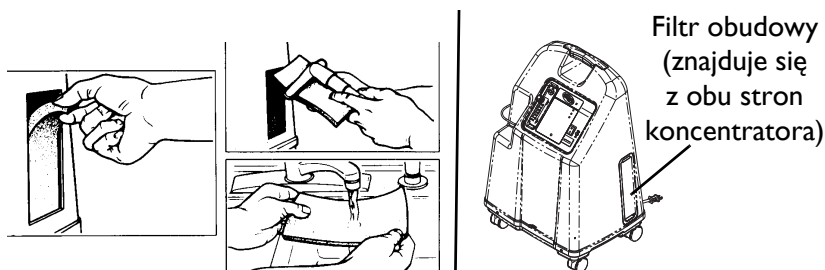
NIE WOLNO używać koncentratora bez zainstalowanych filtrów.

UWAGA: Istnieją dwa filtry obudowy. Z każdej strony obudowy znajduje się jeden filtr:

1. Zdejmij każdy filtr i wyczyść go przynajmniej raz w tygodniu, w zależności od warunków otoczenia.

UWAGA: Warunki środowiskowe, które mogą powodować konieczność częstszego czyszczenia filtrów, obejmują między innymi: duże stężenie kurzu, palenie tytoniu, zanieczyszczenia powietrza itp.

2. Wyczyść filtry obudowy za pomocą odkurzacza lub umyj w ciepłej wodzie z mydłem i dokładnie opłucz.
3. Przed ponownym montażem dokładnie wysusz filtry.



RYSUNEK 6.1 Czyszczenie filtra obudowy

Obudowa

⚠ OSTRZEŻENIE

Podczas czyszczenia należy odłączyć koncentrator od sieci zasilającej. Aby zapobiec porażeniu prądem elektrycznym, NIE WOLNO zdejmować obudowy.

1. Obudowę należy czyścić łagodnym środkiem czyszczącym i miękką szmatką lub gąbką (niepowodującą zarysowań).

Nawilżacz

UWAGA: Aby wyczyścić nawilżacz, należy postępować zgodnie z instrukcjami podanymi przez producenta. Jeśli ich nie ma, należy wykonać następujące czynności:

1. Czyść nawilżacz codziennie.
 2. Umyj go w wodzie z mydłem i opłucz roztworem dziesięciu części wody i jednej części octu.
 3. Dokładnie opłucz nawilżacz gorącą wodą i ponownie napełnij wodą destylowaną do poziomu wskazanego na urządzeniu.
-

⚠ OSTRZEŻENIE

NIE WOLNO przeppełnić butelki nawilżacza.

Część 7-Rozwiązywanie problemów

OBJAW	PRAWDOPODOBNA PRZYCZYNA	ROZWIĄZANIE
Alarm:	Brak zasilania:	
Krótkie dźwięki, długie przerwy	1. Przewód zasilania NIE jest podłączony.	1. Włóż wtyczkę do gniazda.
Koncentrator nie działa, przełącznik zasilania włączony.	2. Brak zasilania w gnieździe.	2. Sprawdź wyłączniki obwodu lub bezpieczniki w domu. Jeśli problem wystąpi ponownie, użyj innego gniazda.
Bip.....Bip.....	3. Zadziałał wyłącznik obwodu.	3. Skontaktuj się z serwisem.
Alarm: Ciągły Koncentrator nie działa, przełącznik zasilania włączony. Biiiiiiiiiiiiip....	Awaria systemu: 1. Przegrzanie urządzenia z powodu zablokowanego wlotu powietrza. 2. Niewystarczający poziom zasilania w gnieździe. 3. Wymagane naprawy wewnętrzne	1a. Wyjmij i wyczyść filtry obudowy. 1b. Odsuń koncentrator tlenu co najmniej 7,5 cm od ścian, zasłon i mebli. 2. NIE używaj przedłużaczy. Podłącz urządzenie do innego gniazda lub obwodu elektrycznego. 3. Skontaktuj się z serwisem.

OBJAW	PRAWDOPODOBNA PRZYCZYNA	ROZWIĄZANIE
<p>Świeci się ŻÓŁTA lub CZERWONA lampka.</p> <p>Alarm: Ciągły Świeci się tylko czerwona lampka.</p> <p>*Dotyczy tylko modeli SensO₂.</p>	<p>1. Niska czystość tlenu*.</p> <p>2. Zgięte lub zablokowane przewody, kaniula lub nawilżacz*.</p> <p>3. Przepływomierz jest ustawiony na 0,5 l/min lub mniej*.</p> <p>4. Przegrzanie urządzenia z powodu zablokowanego wlotu powietrza.</p> <p>5. Niewystarczający poziom zasilania w gnieździe.</p> <p>6. Wymagane są naprawy wewnętrzne.</p>	<p>1. Wyczyść lub wymień filtry.</p> <p>2. Sprawdź zgięcia lub blokady. Popraw, wyczyść lub wymień element. Po dokonaniu poprawki WYŁĄCZ zasilanie na 60 sekund, a następnie WŁĄCZ je ponownie.</p> <p>3. Sprawdź, czy przepływomierz jest ustawiony na 1,0 l/min lub więcej. (Patrz <u>Zalecane wytyczne w celu zapewnienia optymalnej wydajności</u> na stronie 151.)</p> <p>4a. Wyjmij i wyczyść filtry obudowy.</p> <p>4b. Odsuń koncentrator na odległość co najmniej 7,5 cm od ścian, zasłon i mebli.</p> <p>5. NIE używaj przedłużaczy. Podłącz urządzenie do innego gniazda lub obwodu elektrycznego.</p> <p>6. Skontaktuj się z serwisem.</p>
<p>Miga ZIELONA lub ŻÓŁTA lampka.</p>	<p>1. Wymagane są naprawy wewnętrzne.</p>	<p>1. Skontaktuj się z serwisem.</p>

OBJAW	PRAWDOPODOBNA PRZYCZYNA	ROZWIĄZANIE
<p>Alarm: RAPID (Szybko)</p> <p>Bip....Bip... Bip...Bip</p>	<p>Alarm niskiego przepływu</p> <p>Ia. Zgięte lub zablokowane przewody, kaniula lub nawilżacz.</p> <p>Ib. Przepływomierz jest ustawiony na 0,5 l/min lub mniej.</p>	<p>Ia. Sprawdź, czy nie ma zgięć lub blokad. Popraw, wyczyść lub wymień element. Po dokonaniu poprawki WYŁĄCZ zasilanie na 60 sekund, a następnie WŁĄCZ je ponownie.</p> <p>Ib. Ustaw przepływomierz na zalecaną szybkość. Szybkości przepływu poniżej 1 l/min nie są zalecane.</p>

OGRANICZONA GWARANCJA

Belgium & Luxembourg:

Invacare nv, Autobaan 22, B-8210
Loppem
Tel: (32) (0) 50 83 10 10
Fax: (32) (0) 50 83 10 11
belgium@invacare.com

Danmark:

Invacare A/S, Sdr. Ringvej 37, DK-2605
Brøndby
Tel: (45) (0)36 90 00 00
Fax: (45) (0)36 90 00 01
denmark@invacare.com

Deutschland:

Invacare Aquatec GmbH,
Alemannenstraße 10, D-88316 Isny
Tel: (49) (0)75 62 7 00 0
Fax: (49) (0)75 62 7 00 66
info@invacare-aquatec.com

European Distributor Organisation:

Invacare, Kleiststraße 49, D-32457 Porta
Westfalica
Tel: (49) (0)57 31 754 540
Fax: (49) (0)57 31 754 541
edo@invacare.com

España:

Invacare SA, c/Areny s/n, Poligon
Industrial de Celrà, E-17460 Celrà
(Girona)
Tel: (34) (0)972 49 32 00
Fax: (34) (0)972 49 32 20
contactsp@invacare.com

France:

Invacare Poirier SAS, Route de St Roch,
F-37230 Fondettes
Tel: (33) (0)2 47 62 64 66
Fax: (33) (0)2 47 42 12 24
contactfr@invacare.com

Ireland:

Invacare Ireland Ltd, Unit 5 Seatown
Business Campus,
Seatown Road, Swords, County Dublin
– Ireland
Tel: (353) 1 810 7084
Fax: (353) 1 810 7085
ireland@invacare.com

Italia:

Invacare Mecc San s.r.l., Via dei Pini 62,
I-36016 Thiene (VI)
Tel: (39) 0445 38 00 59
Fax: (39) 0445 38 00 34
italia@invacare.com

Nederland:

Invacare BV, Celsiusstraat 46, NL-6716
BZ Ede
Tel: (31) (0)318 695 757
Fax: (31) (0)318 695 758
nederland@invacare.com
csede@invacare.com

Norge:

Invacare AS, Grensesvingen 9, Postboks
6230, Etterstad, N-0603 Oslo
Tel: (47) (0)22 57 95 00
Fax: (47) (0)22 57 95 01
norway@invacare.com
island@invacare.com

Österreich:

Invacare Austria GmbH, Herzog
Odilostrasse 101, A-5310 Mondsee
Tel: (43) 6232 5535 0
Fax: (43) 6232 5535 4
info@invacare-austria.com

Sverige & Suomi:

Invacare AB, Fagerstagatan 9,
S-163 91 Spånga
Tel: (46) (0)8 761 70 90
Fax: (46) (0)8 761 81 08
sweden@invacare.com
finland@invacare.com

Switzerland:

Invacare AG,
Benkenstrasse 260, CH-4108 Witterswil
Tel: (41) (0)61 487 70 80
Fax: (41) (0)61 487 70 81
switzerland@invacare.com

United Kingdom:

Invacare Limited, Pencoed Technology
Park, Pencoed, Bridgend CF35 5HZ
Tel: (44) (0) 1656 776200
Fax: (44) (0) 1656 776201
Customer Services:
Tel: (44) (0) 1656 776222
Fax: (44) (0) 1656 776220
UK@invacare.com

Portugal:

Invacare Lda,
Rua Estrada Velha, 949, P-4465-784 Leça
do Balio
Tel: (351) (0)225 1059 46/47
Fax: (351) (0)225 1057 39
portugal@invacare.com

PlatinumTM

Standardní kyslíkový koncentrátor
plus/SensO₂[®] a HomeFill[®]

Model IRC5LXAW
Model IRC5LXO2AW
Model IRC5LXO2AWQ
Model IRC9LXO2AWQ

Prodejce: Tato příručka musí být poskytnuta koncovému uživateli.

Uživatel: Před použitím tohoto koncentrátoru si přečtěte tuto příručku a ponechtejte si ji pro budoucí potřebu.

**Další informace ohledně výrobků,
součástí a služeb poskytovaných
společností Invacare uvádí stránka
www.invacare.com**



Yes, you can.®

⚠ VAROVÁNÍ

NEPOUŽÍVEJTE TENTO VÝROBEK ANI JINÉ DOSTUPNÉ DOPLŇKOVÉ ZAŘÍZENÍ ANIŽ BYSTE SI ÚPLNĚ PŘEČETLI A POCHOPILI TYTO INSTRUKCE A JAKÝKOLI DALŠÍ MATERIÁL S INSTRUKCEMI, JAKO NAPŘ. NÁVOD K POUŽITÍ, NÁVOD K OBSLUZE NEBO KARTY S INSTRUKCEMI, KTERÉ JSOU DODÁVÁNY S TÍMTO VÝROBKEM NEBO DOPLŇKOVÝM ZAŘÍZENÍM. POKUD NEROZUMÍTE UPOZORNĚNÍM, VÝSTRAHÁM NEBO INSTRUKCÍM, OBRAŤTE SE NA ODBORNÍKA VE ZDRAVOTNICTVÍ, DEALERA NEBO TECHNICKÝ PERSONÁL DŘÍVE, NEŽ ZAČNETE TOTO ZAŘÍZENÍ POUŽÍVAT - JINAK BY MOHLO DOJÍT KE ZRANĚNÍ NEBO POŠKOZENÍ.

DOPLŇKY

Existuje mnoho různých typů zvlhčovačů, kyslíkových hadic, kanyl a masek, které lze použít v kombinaci s tímto zařízením. Pro doporučení ohledně nejvhodnějšího z těchto zařízení se obraťte na vašeho místního poskytovatele přístrojů pro domácí péči. Poradí vám rovněž ohledně správného použití, údržby a čištění.

⚠ VAROVÁNÍ

Výrobky společnosti Invacare jsou specificky zkonstruovány a vyráběny tak, aby je bylo možno použít v kombinaci s doplňkovým příslušenstvím od společnosti Invacare. Doplňky zkonstruované jinými výrobci nebyly testovány společností Invacare a jejich používání v kombinaci s výrobky společnosti Invacare se nedoporučuje.

POZNÁMKA: Aktualizovaná verze této příručky je dostupná na www.invacare.com.

OBSAH

ZVLÁŠTNÍ POZNÁMKY	169
INFORMACE O RECYKLACI.....	170
ČÁST 1—OBECNÉ POKYNY	171
Údržba.....	173
Radiofrekvenční interference.....	173
Postup pro snížení rizika popálenin, smrti v důsledku zasažení elektrickým proudem, požáru a poranění.....	174
Koncentrace kyslíku	175
ČÁST 2—FUNKCE	176
ČÁST 3—DODÁVÁNÍ A MANIPULACE	177
Vybalení.....	177
Prohlídka.....	177
Skladování	178
ČÁST 4—TYPICKÉ PARAMETRY PŘÍSTROJE... I 79	
ČÁST 5—NÁVOD K POUŽITÍ	184
Úvod.....	184
Volba umístění	184
Doporučení pro optimální výkon.....	185
Zasuňte do zásuvky napájecí kabel.....	185
Připojte zvlhčovač (pokud byl předepsán).....	186
Vypínač proudu.....	189
Rychlost průtoku.....	190
Kontrolky čistoty kyslíku SensO ₂ (model senzoru LX O ₂) ...	191
Kontrolky (model LX).....	192
Alarm při výpadku napájení ze sítě	192
Měřič uplynulého času (měření hodin).....	192
ČÁST 6—ÚDRŽBA	193
Rutinní údržba.....	193
ČÁST 7— NÁVOD K ODSTRAŇOVÁNÍ PROBLÉMŮ I 96	
OMEZENÁ ZÁRUKA	199

ZVLÁŠTNÍ POZNÁMKY

V této příručce jsou používána signální slova, která označují rizika nebo nebezpečné postupy, jež mohou mít za následek poranění osob nebo hmotnou škodu. Definice signálních slov uvádí následující tabulka.

SIGNÁLNÍ SLOVO	VÝZNAM
NEBEZPEČÍ	Nebezpečí znamená bezprostředně hazardní situaci, která, pokud se jí nevyhnete, bude mít za následek smrt nebo vážné zranění.
UPOZORNĚNÍ	Upozornění znamená potenciálně hazardní situaci, která, pokud se jí nevyhnete, by mohla mít za následek smrt nebo vážné zranění.
VÝSTRAHA	Výstraha označuje možnou hazardní situaci, která, pokud se jí nepředejde, může mít za následek poškození majetku, lehké zranění, nebo obojí.

UPOZORNĚNÍ

Informace obsažené v tomto dokumentu mohou být bez upozornění měněny.

POZOR

Při používání tohoto zařízení NEKUŘTE. Odstraňte všechny zápalky, hořící cigarety nebo jiné zdroje vznícení z místnosti, kde se tento produkt nachází a z místa, kde se kyslík používá.

Tabulky **ZÁKAZ KOUŘENÍ** musí být viditelně umístěny. Textilie a ostatní materiály, které normálně nehoří, snadno vzplanou a hoří velice intenzivně ve vzduchu obohaceném kyslíkem. Nedodržování těchto bezpečnostních pravidel může vést k vážnému požáru, poškození majetku a způsobit fyzické zranění nebo smrt.

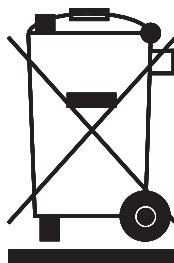
INFORMACE O RECYKLACI

Tento výrobek dodává výrobce ohleduplný k životnímu prostředí, který se řídí direktivou o elektrickém a elektronickém odpadu (Waste Electrical and Electronic Equipment - WEEE) 2002/96/CE.

Tento výrobek může obsahovat látky, jež by mohly poškodit životní prostředí, pokud budou odloženy na místa (skládky), které nejsou v souladu s legislativou.

Na tomto výrobku se nalézá symbol přeškrtnutého kontejneru, který vás má povzbudit k maximální možné recyklaci.

Prosím, chovejte se odpovědně k životnímu prostředí a až skončí životnost tohoto výrobku, recyklujte jej prostřednictvím vašeho recyklačního zařízení.



ČÁST I—OBECNÉ POKYNY

VAROVÁNÍ

ČÁST 1– OBECNÉ POKYNY obsahuje informace důležité pro bezpečný provoz a používání tohoto výrobku.

Tyto pokyny MUSÍ být dodrženy, aby byly instalace, sestavení a provoz koncentrátoru Platinum bezpečné.

UPOZORNĚNÍ

”Upozornění: Statutární právo může omezit prodej tohoto zařízení na lékařský předpis nebo na předpis jiného odborníka, který je podle zákonů příslušné vlády zmocněn používat toto zařízení nebo nařídit jeho použití.”

POZOR

Nebezpečí úrazu elektrickým proudem. NEROZEBÍRAT. Servis ponechejte kvalifikovanému personálu.

⚠ VAROVÁNÍ

Použití léčby kyslíkem vyžaduje speciální opatření snižující nebezpečí požáru. Všechny materiály, které na vzduchu hoří a některé, které nehoří, se ve vysokých koncentracích kyslíku snadno vznítí a jsou rychle spalovány. Z důvodů bezpečnosti je nezbytné, aby byly všechny možné zdroje vznícení uchovávány odděleně od výrobku a nejlépe mimo místnost, kde je používán. Je nutno zřetelně umístit nápisy **ZÁKAZ KOUŘENÍ**.

Pokud se do kontaktu s kyslíkem pod tlakem dostanou oleje, mazadla nebo látky s obsahem tuku, může dojít k jejich spontánnímu a výbušnému vznícení. Tyto látky **MUSÍ** být uchovávány odděleně od koncentrátoru kyslíku, jeho hadic a přípojek a dalšího vybavení pro manipulaci s kyslíkem. **NEPOUŽÍVEJTE** žádná lubrikancia, pokud jejich použití výslovně nedoporučila společnost Invacare.

Pro optimální výkon společnost Invacare doporučuje, aby byl každý koncentrátor zapnutý a běžel minimálně po dobu 30 minut. Kratší provozní intervaly mohou snižovat maximální životnost výrobku.

Pokud jsou kabel nebo zástrčka koncentrátoru poškozeny, pokud není funkce koncentrátoru správná, pokud došlo k jeho upuštění nebo poškození nebo ponoření do vody, požádejte kvalifikovaný servisní personál o jeho opravu.

Kyslíkové hadice, kabel a přístroj uchovávejte odděleně od vyhřívaných nebo horkých povrchů, včetně teplometů, příkrývek, kamen a podobných elektrických přístrojů.

NEPŘEMÍSTUJTE koncentrátor tahem za kabel.

NEVKLÁDEJTE ani neupusťte do žádného z jeho otvorů žádné předměty.

⚠ VAROVÁNÍ

NEBLOKUJTE otvory pro vzduch na výrobu ani jej nepokládejte na měkké povrchy, jako je například lůžko nebo pohovka, kde by mohlo dojít k zablokování otvorů. Otvory je nutno chránit před vlasy, chlupy a podobně.

Naplňte zvlhčovač vodou do úrovně vyznačené výrobcem.
NEPŘEPLŇUJTE.

Udržujte přístroj ve vzdálenosti nejméně 7,5 cm od stěn, závěsů, nábytku a podobně.

Společnost Invacare doporučuje používat v kombinaci s tímto výrobkem kyslíkové hadice Crushproof (dodává společnost Invacare), jejichž délka NESMÍ překročit 15,2 m. Pro platinu (9) se doporučuje používat až 15,2 m (50 stop) dlouhé vysokoprtokové potrubí.

Údržba

Kyslíkový koncentrátor Invacare byl specificky navržen tak, aby minimalizoval potřebu rutinní preventivní údržby v intervalu jednou ročně. Pouze profesionální zdravotníci či osoby plně obeznámené s tímto postupem, jako jsou například výrobce autorizovaní nebo vyškolení pracovníci, mohou provádět preventivní údržbu nebo nastavení výkonu koncentrátoru kyslíku.

Radiofrekvenční interference

Většina elektronických zařízení je ovlivňována Radiofrekvenční interferencí (RFI). Při použití přenosných komunikačních zařízení v okolí těchto zařízení je nutná opatrnost.

Postup pro snížení rizika popálenin, smrti v důsledku zasažení elektrickým proudem, požáru a poranění

Nepoužívejte při koupání. Pokud lékař předepisuje nepřetržité použití:

Koncentrátor musí být umístěn v jiné místnosti ve vzdálenosti nejméně 2,1 m od vany.

NEDOTÝKEJTE se koncentrátorem mokří.

Výrobek zapnutý do zásuvky **NESMÍ** být ponechán bez dozoru.

NEUMÍSTUJTE výrobek na místa, kde by mohl spadnout do vody, ani jej na takovýchto místech neuchovávejte.

NESAHEJTE pro výrobek, který spadl do vody. **OKAMŽITĚ** jej vypněte vytažením kabelu ze zásuvky.

Tento výrobek může být používán pouze v souladu s lékařským předpisem a touto příručkou pro vlastníka. Pokud pacient nebo ošetřující personál dojdou k závěru, že pacient nedostává dostatečné množství kyslíku, je nutno ihned kontaktovat dodavatele a/nebo lékaře. Rychlost průtoku neupravujte, pokud takovouto úpravu nepředepsal lékař.

Pokud je tento výrobek používán blízko dětí nebo fyzicky handicapovaných osob, je nutný pečlivý dozor.

Používejte tento výrobek pouze pro účely předepsané v této příručce.

NEZAPOJUJTE koncentrátor paralelně nebo do série s jinými kyslíkovými koncentrátory nebo jinými zařízeními pro kyslíkovou terapii.

Použití některých aplikačních doplňků nebo zvlhčovačů, které nejsou určeny pro použití v kombinaci s kyslíkovým koncentrátorem, může snížit výkon.

Za určitých okolností může být léčba kyslíkem nebezpečná. Společnost Invacare doporučuje konzultovat lékaře před použitím tohoto přístroje.

Toto zařízení je určeno k použití jako doplňkový přísun kyslíku a není určeno k udržování ani k podpoře životních funkcí.

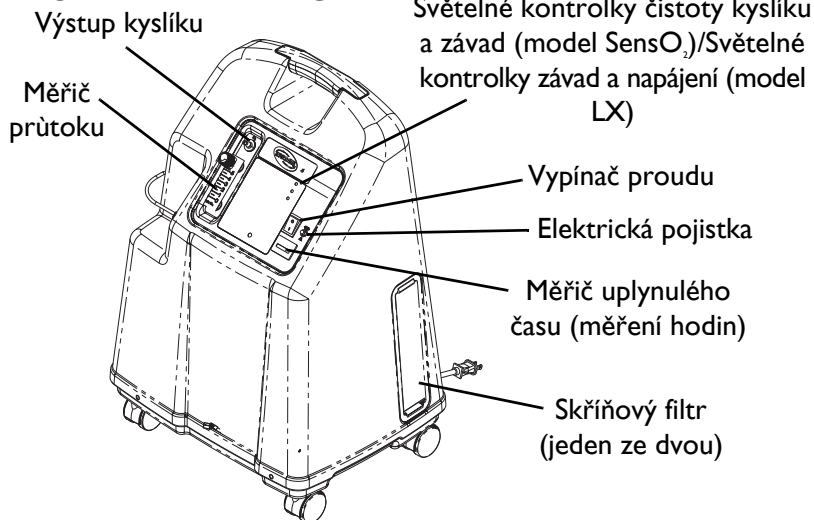
Zabraňte vzniku jisker v okolí lékařských kyslíkových přístrojů. Tato nutnost se vztahuje i na jiskry statické elektřiny tvořené libovolným typem tření.

Koncentrace kyslíku

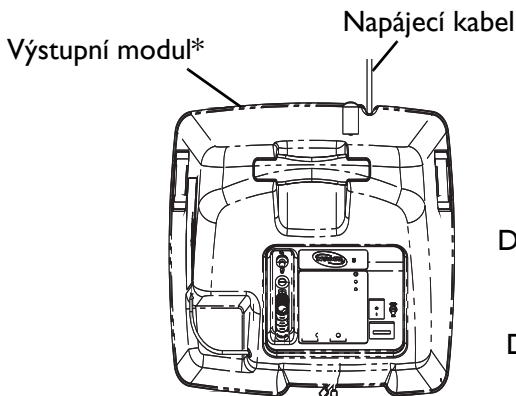
Nenastavujte průtok výše, než ukazuje ČERVENÝ prstenec. Proud kyslíku vyšší než 5 l/min (IRC5LXO2AW, IRC5LXAW, IRC5LXO2AWQ) a 9 l/min. (IRC9LXO2AWQ) sníží koncentraci kyslíku.

ČÁST 2—FUNKCE

POHLED ZEPŘEDU



**POZNÁMKA: Tento výstupní modul se používá pouze k plnění láhvi s kyslíkem pomocí domácího kompresoru kyslíku HomeFill. Tento výstupní modul neovlivňuje výkon koncentrátoru. Pokyny k připojení a návod k použití naleznete v příručce pro vlastníka systému HomeFill, číslo součásti 1145804. Pokud systém není používán, ucpěte výstupní modul zátkou dodanou spolu s koncentrátorem. O další informace o systému HomeFill požádejte společnost Invacare.*



POHLED SHORA

DOPLŇKY (NEJSOU ZOBRAZENY):

Domácí kompresor kyslíku
HomeFill

Dostupné další informace
vám sdělí váš místní
zástupce společnosti
Invacare.

ČÁST 3—DODÁVÁNÍ A MANIPULACE

POZNÁMKA: Postup viz OBRÁZEK 3.1

Před instalací koncentrátoru a jeho uvedením do provozu si prostudujte příručku pro vlastníka přístroje řady Platinum.

Koncentrátor Platinum musí být VŽDY uchováván ve vzpřímené poloze, aby se zabránilo poškození skříně při přepravě. Přepravní balení bylo navrženo tak, aby umožňovalo maximální ochranu koncentrátoru.

Pokud má koncentrátor přepravovat běžný přepravce, je nutno zabalit jej do nové krabice. Další krabice jsou dostupné u společnosti Invacare.

Závěsný systém vzdušného kompresoru je navržen tak, aby vydržel náročné pohyby a změny orientace.

Vybalení

1. Zkontrolujte, zda není pozorovatelné zjevné poškození krabice nebo jejího obsahu. Pokud je pozorovatelné poškození, informujte přepravce nebo společnost Invacare.
2. Vyjměte z krabice všechny volné obalové materiály.
3. Pečlivě vyjměte z krabice všechny součásti.

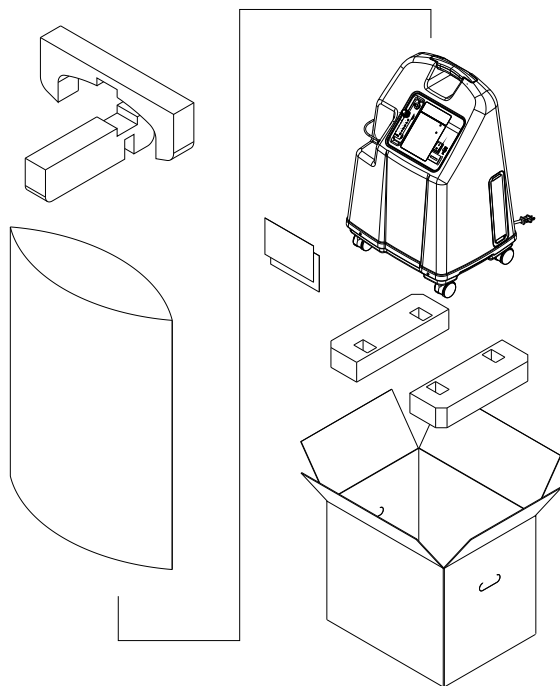
POZNÁMKA: Uchovejte si krabici a obalové materiály tak, aby bylo možno použít je ke skladování koncentrátoru Platinum.

Prohlídka

1. Prozkoumejte vnějšek koncentrátoru kyslíku, zda se na něm nenacházejí škrábance, promáčkliny, odřená místa či jiná poškození. Prohlédněte všechny součásti.








Skladování

1. Opětovně zabalený koncentrátor kyslíku uchovávejte na suchém místě.
2. NEPOKLÁDEJTE jiné předměty na povrch opětovně zabaleného koncentrátoru.



OBRÁZEK 3.1 Vybalení

ČÁST 4—TYPICKÉ PARAMETRY PŘÍSTROJE

Regulační seznam:	EN/IEC 60601-1
	Střídavý proud
	Zařízení typu BF
	Přístroj v provozu
	Přístroj mimo provoz
	Pozor – prostudujte příloženou dokumentaci
	NEKOUŘIT
	Třída II, dvojitá izolace

Požadavky na napájení elektřinou:	230 VAC ± 10 % (253 VAC/207 VAC), 50 Hz
Jmenovitý proud na vstupu:	1,4 A (IRC5LXO2AWQ)
	2,0 A (IRC5LXAW, IRC5LXO2AW)
	2,3 A (IRC9LXO2AWQ)
Úroveň hlasitosti:	39,5 dB v průměru (IRC5LXO2AWQ)
	44 dB v průměru (IRC5LXAW, IRC5LXO2AW)
	50 dB v průměru (IRC9LXO2AWQ)

ČÁST 4—TYPICKÉ PARAMETRY PŘÍSTROJE

Výška:	IRC5LXAW, IRC5LXO2AW, IRC5LXO2AWQ Do 1828 metrů n.m. bez snížení koncentračních hladin. POUŽITÍ V NADMOŘSKÉ VÝŠCE NAD 1828 metrů SE NEDOPORUČUJE
	IRC9LXO2AWQ - Až 1 230 m (4 000 stop) nad hladinou moe bez poklesu úrovní koncentrace. Od 1 230 metr (4 000 stop) až do 4 000 metr (13 129 stop) je účinnost do 90 %.
*Vstup pro kyslík Koncentrační hladiny: All 5LXO2AWQ/5LXAW/ modely 5LXO2AW *Specifikované koncentrační hladiny, dosahované po počátečním zahřívacím období (přibližně 30 minut).	IRC5LXAW, IRC5LXO2AW, IRC5LXO2AWQ minimálně 93 % při 1 až 3 l/min minimálně 91 % při 4 l/min minimálně 87 % při 5 l/min (maximální doporučený průtok) IRC9LXO2AWQ minimálně 92 % při 1 až 2 l/min minimálně 91 % při 8 l/min minimálně 87 % při 9 l/min minimálně 93 % při 3 až 7 l/min
Maximální tlak na výstupu:	IRC5LXAW, IRC5LXO2AW, IRC5LXO2AWQ 34,5 ± 3,45 kPa (5 ± 0,5 psi)
	IRC9LXO2AWQ 62,0 kPa ± 3,45 kPa (9 ± 0,5 psi)
Rozsah průtoku:	IRC5LXAW, IRC5LXO2AW, IRC5LXO2AWQ - 0,5 až 5 l/min. Použití rychlostí průtoku nižších než 1 l/min se nedoporučuje
	IRC9LXO2AWQ - 1 l/min. až 9 l/min. Nejsou doporučovány prtokové rychlosti nižší než 1 l/min.
Alarm při nízkém průtoku:	0 l/min až 0,5 l/min. Rychlé pípání zvukového alarmu (pokud nejsou připojeny žádné doplňky).



ČÁST 4—TYPICKÉ PARAMETRY PŘÍSTROJE

Průměrná spotřeba proudu:	(IRC5LXO2AWQ) 300 W 280 W @ ≤ 3 L/min
	(IRC5LXO2AW) 365 W 340 W @ ≤ 3 L/min
	380 W (IRC5LXAW)
	460 W (IRC9LXO2AWQ)
Mechanismy zmírnění tlaku v provozu při:	24 l kPa ± 24, l kPa (35 psi ± 3,5 psi)
Změna maximálního doporučeného průtoku při zpětném tlaku 7k Pa:	0,7 l/min
Filtry:	Skříň (2), výstup HEPA a kompresorový vstup.
Bezpečnostní systém:	Vypnutí při proudovém přetížení nebo elektrickém rázu v síti. Vypnutí kompresoru při vysoké teplotě. Alarm při vysokém tlaku / vypnutí kompresoru. Alarm při nízkém tlaku / vypnutí kompresoru. Alarm při výpadku napájení z baterie. Kyslíkový senzorový systém SensO ₂ Oxygen System (model SensO ₂) – alarm při nízkém průtoku.
Šířka:	46,7 cm ± 1 cm
Výška:	67,0 cm ± 1 cm
Hloubka:	36,5 cm ± 1 cm
Hmotnost:	IRC5LXAW, IRC5LXO2AW, IRC5LXO2AWQ 23,6 kg ± 1 kg
	IRC9LXO2AWQ 24,0 kg ± 1 kg
Hmotnost při dodání:	IRC5LXAW, IRC5LXO2AW, IRC5LXO2AWQ 26,8 kg ± 1 kg
	IRC9LXO2AWQ - 27,2 kg ± 1 kg
Provozní prostředí teplota:	10 °C - 35 °C při 20-60 % relativní vlhkosti.


ČÁST 4—TYPICKÉ PARAMETRY PŘÍSTROJE

Výfuk:	Nižší než okolní +19 °C
Výstup pro kyslík:	Nižší než okolní +2 °C
Skříň:	Nárazuvzdorný plast, zpomalující hoření skříň vyhovuje normě UL 94-V0.
Regulační seznam:	IRC5LXAW/IRC5LXO2AW/ IRC5LXO2AWQ/IRC9LXO2AWQ ETL je v souladu s proveným: EN5501 I EN61000-3-2 EN61000-3-3 IEC 60601-1, A1, A2 IEC 60601-1-2 Pouze modely IRC5LXO2AW/IRC5LXO2AWQ/ IRC9LXO2AWQ ISO8359 MDD
Modely označené CE:	IRC5LXO2AW, IRC5LXO2AWQ, IRC9LXO2AWQ
Napájení elektřinou:	Bez prodlužovací šňůry.
Umístění:	Nejméně 7,5 cm od stěn, závěsů, nábytku a podobně.
Hadice:	IRC5LXAW, IRC5LXO2AW, IRC5LXO2AWQ kanyla o délce 2,1 m s maximální délkou 15,2 m hadice Crush-Proof (NEPŘISKŘÍPNOUT). IRC9LXO2AWQ - Pro všechny prtokové rychlosti se doporučuje používat až 15,2 m (50 stop) dlouhou vysokoprtokovou trubici s vysokoprtokovou kanylou.
Relativní vlhkost:	20 až 60 %
Doba provozu:	Až 24 hodin denně.
Doporučená teplota při skladování a dodávání:	-29 °C až 65 °C při 15-95 % relativní vlhkosti.

INDIKÁTORY SENSO₂

ETIKETA SYMBOL	STAV	SVĚTELNÉ KONTROLKY (LED)
O ₂	SYSTEM OKAY O ₂ nad 85 % (±2 %)	ZELENÁ světelná kontrolka
	O ₂ od 73 % (±3 %) do 85 % (±2 %)	ŽLUTÁ světelná kontrolka A. ŽLUTÁ trvale svítící kontrolka B. ŽLUTÁ blikající kontrolka Porucha Zavolejte kvalifikovaného technika
	PORUCHA SYSTÉMU O ₂ pod 73 % (±3 %)	ČERVENÁ světelná kontrolka Viz <u>Návod k odstraňování problémů</u> na straně 196.

KONTROLKY LX

ETIKETA SYMBOL	STAV	SVĚTELNÉ KONTROLKY (LED)
I/O	SYSTEM OKAY	ZELENÁ světelná kontrolka
	PORUCHA SYSTÉMU	ČERVENÁ světelná kontrolka Trvale slyšitelný zvukový alarm kompresoru Sieve-GARD™ Vypnutí Zavolejte kvalifikovaného technika

ČÁST 5—NÁVOD K POUŽITÍ

Úvod

Váš koncentrátor kyslíku je určen pro individuální domácí použití. Jedná se o elektronické zařízení, které slouží k oddělování kyslíku od vzduchu v místnosti. Toto zařízení vám bude dodávat vysoké koncentrace kyslíku přímo nosní kanylou. Klinické studie dokládají, že koncentrátory kyslíku jsou z terapeutického hlediska rovnocenné jiným typům systémů dodávajících kyslík.

Váš dodavatel vám ukáže, jak se váš koncentrátor kyslíku používá. Obracejte se na svého dodavatele s veškerými otázkami a problémy souvisejícími s vaším koncentrátorem kyslíku. Tato příručka pro vlastníka vám poskytne informace o vašem koncentrátoru a bude vám při jeho používání sloužit jako referenční zdroj.

Volba umístění

Zvolte si ve vašem domě místnost, ve které bude použít koncentrátor kyslíku nejvhodnější. Koncentrátor lze snadno přemístit z jedné místnosti do druhé pomocí koleček.

Výkon koncentrátoru kyslíku bude nejlepší za níže uvedených podmínek. Důsledkem používání v jiném než popsaném prostředí mohou být zvýšené nároky na údržbu přístroje. Přívod vzduchu do přístroje by se měl nalézat v dobře větrané oblasti, kde se nenalézají vzdušné nečistoty a/nebo kouř.

Doporučení pro optimální výkon

Teplota:	10 °C - 35 °C
Napájení elektrinou:	Bez prodlužovací šňůry.
Umístění:	Nejméně 7,5 cm od stěn, závěsů, nábytku a podobně.
Hadice a kanyla:	IRC5LXAW, IRC5LXO2AWQ, and IRC5LXO2AWQ kanyla o délce 2,1 m s maximální délkou 15,2 m hadice Crush-Proof (NEPØISKØÍPNOUT).
	IRC9LXO2AWQ - Pro všechny prtokové rychlosti se doporučuje používat až 15,2 m (50 stop) dlouhou vysokoprtokovou trubici s vysokoprtokovou kanylou.
Okolní prostředí:	Bez kouře a sazí. Neumisťovat do stísněného prostoru (příklad: skříně).
Relativní vlhkost:	20 až 60 %
Doba provozu:	Až 24 hodin denně.
Rychlost průtoku:	IRC5LXAW, IRC5LXO2AWQ, and IRC5LXO2AWQ 0,5 l/min až 5 l/min. Použití nižších rychlostí průtoku než 1 l/min se nedoporučuje.
	IRC9LXO2AWQ - 1 l/min. až 9 l/min. Nejsou doporučovány prtokové rychlosti nižší než 1 l/min
Minimální doba provozu:	30 minut

POZNÁMKA: Zajistěte, aby se váš koncentrátor nalézal nejméně 7,5 cm od stěn, závěsů, nábytku a podobně, aby byl umožněn dostatečný průtok vzduchu. Pozor na koberce s vysokým vlasem, topná tělesa, radiátory a horkovzdušné ventily.

Zasuňte do zásuvky napájecí kabel

1. Zasuňte napájecí kabel do elektrické zásuvky.

Připojte zvlhčovač (pokud byl předepsán)

POZNÁMKA: Postup viz OBRÁZEK 5.1 na stranì 186, OBRÁZEK 5.2 na stranì 186, OBRÁZEK 5.3 na stranì 188 a OBRÁZEK 5.4 na stranì 189.

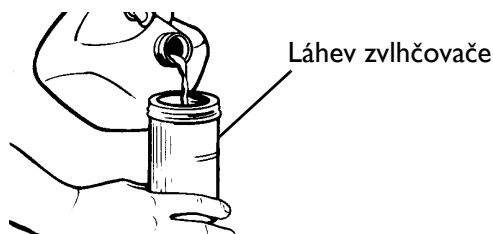
1. Naplňte zvlhčovač destilovanou vodou do úrovně vyznačené výrobcem. (Požádejte společnost Invacare o doporučení).

⚠ VAROVÁNÍ

NEPŮEPLŮJTE zvlhčovač.

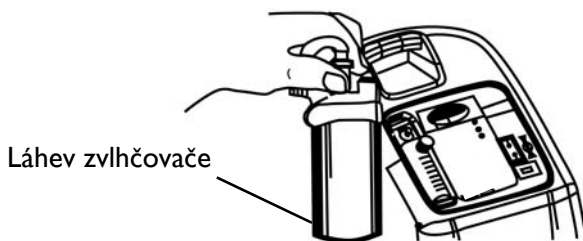
Vraťte na místo kryt zvlhčovače a pevně jej utáhněte.

NEPŮEVRAČEJTE připojení vstupu a výstupu kyslíku. Voda z láhve zvlhčovače se bude přes kanylu vracet k pacientovi.



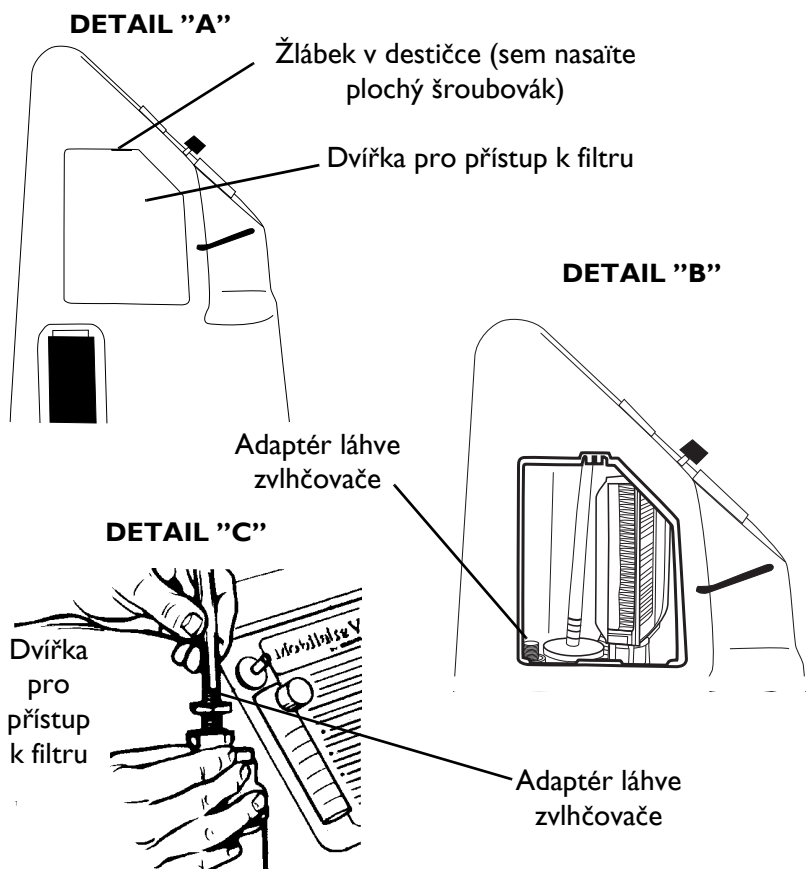
OBRÁZEK 5.1 Plnění zvlhčovače

2. Vložte láhev zvlhčovače do přihrádky zvlhčovače.



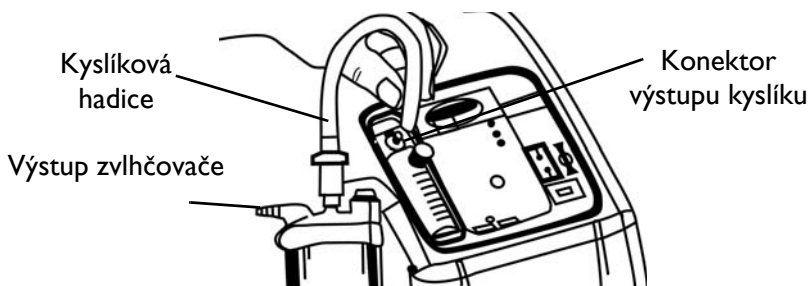
OBRÁZEK 5.2 Přihrádka zvlhčovače

3. Sejměte dvířka pro přístup k filtru, umístěná po straně koncentrátoru. Do žlábků v destičce na horní hraně přístupových dvířek filtru nasad'te plochý šroubovák a jemným páčením otevřete přístupová dvířka filtru. Viz detail "A", který ukazuje OBRÁZEK 5.3.
4. Adaptér zvlhčovače se nalézá vedle vstupního filtru. Vytáhněte a vyjměte adaptér láhve zvlhčovače. Viz Detail "B", který ukazuje OBRÁZEK 5.3.
5. Připojte jej ke zvlhčovači otáčením křídlové matice na láhvi zvlhčovače proti směru hodinových ručiček, až bude bezpečně upevněn. Viz Detail "C", který ukazuje OBRÁZEK 5.3.



OBRÁZEK 5.3 Připojení adaptéru láhve zvlhčovače

6. Připojte kyslíkovou hadici láhve zvlhčovače ke konektoru výstupu kyslíku na koncentrátoru kyslíku.
7. Připojte kanylu/hadice pro přísun kyslíku k pacientovi k výstupu láhve zvlhčovače.
8. Po sestavení se ujistěte, že kanylou proudí kyslík.
9. Vraťte na místo dvířka pro přístup k filtru umístěná po straně koncentrátoru tak, že je zatlačíte zpět do žlábků v destičce.



OBRÁZEK 5.4 Připojení kyslíkové hadice

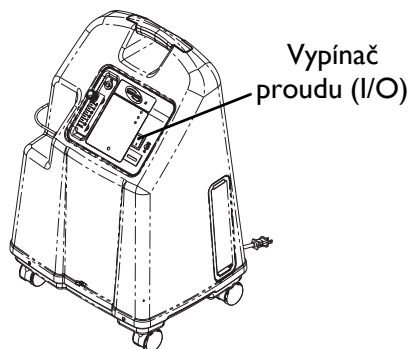
⚠ VAROVÁNÍ

Pro optimální výkon společnost Invacare doporučuje, aby byl každý koncentrátor zapnutý a běžel minimálně po dobu 30 minut. Kratší provozní intervaly mohou snižovat maximální životnost produktu.

Vypínač proudu

POZNÁMKA: Postup viz OBRÁZEK 5.5.

1. Zatlačením zapněte vypínač proudu. Všechny kontrolky na panelu a zvukové alarmy se na jednu sekundu zapnou, čímž se ukáže, že přístroj správně funguje.



OBRÁZEK 5.5 Vypínač proudu

Rychlost průtoku

POZNÁMKA: Postup viz OBRÁZEK 5.6.

1. Otáčejte knoflíkem rychlosti průtoku na hodnotu předepsanou vaším lékařem nebo terapeutem.

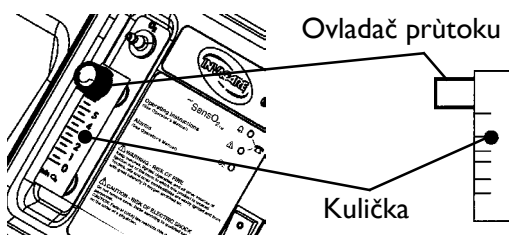
⚠ VAROVÁNÍ

NEMĚTE nastavení l/min na měřiči průtoku, pokud nebyla změna předepsána vaším lékařem nebo terapeutem.

POZNÁMKA: Aby bylo možné správně odečíst měřič průtoku, nalezněte čáru předepsané rychlosti průtoku na měřiči. Poté otáčejte ovladačem průtoku, až se kulička zdvihne k čáře. Nyní vycentrujte kuličku na čáru předepsaného nastavení v l/min.

2. Pokud rychlost průtoku na měřiči průtoku klesne pod 0,5 l/min po dobu delší než jedna minuta, spustí se alarm nízkého průtoku. To znamená rychlé pípání zvukového alarmu. Zkontrolujte hadice nebo doplňky, zda nedošlo k zablokování či zkroucení hadice nebo zda není láhev zvlhčovače vadná. Po obnovení průtokové rychlosti na hodnotu vyšší než 0,5 l/min alarm nízkého průtoku utichne.

POZNÁMKA: Použití některých doplňků, jako je například pediatrický stan a kompresor HomeFill, vypíná alarm nízkého průtoku.



OBRÁZEK 5.6 Rychlost průtoku

Kontrolky čistoty kyslíku SensO₂ (model senzoru LX O₂)

Tato funkce monitoruje čistotu kyslíku vytvářeného koncentrátorem kyslíku. Pokud čistota kyslíku poklesne pod přednastavenou standardní hodnotu, rozsvítí se kontrolka na ovládacím panelu.

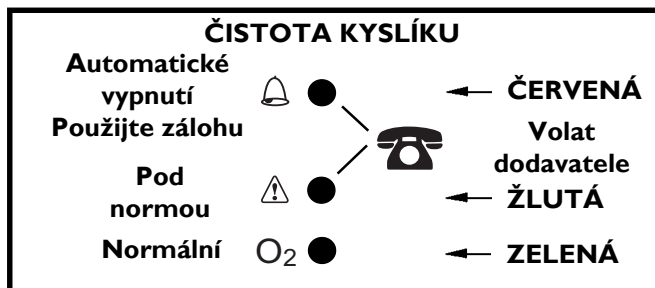
Počáteční nastavení koncentrátoru

POZNÁMKA: Koncentrátor lze použít během počátečního zahřívacího období (přibližně 30 min) v průběhu čekání na maximální hodnotu čistoty O₂.

Při zapnutí přístroji se rozsvítí ZELENÁ kontrolka (SYSTÉM OK/O₂ více než 85 %). Po pěti minutách bude kyslíkový senzor pracovat normálně a ovládat kontrolky podle hodnot koncentrace kyslíku.


Vysvětlení ke kontrolkám čistoty kyslíku

POZNÁMKA: Postup viz OBRÁZEK 5.7.



OBRÁZEK 5.7 Kontrolky čistoty kyslíku SensO₂
(model senzoru LX O₂)

ZELENÁ kontrolka (O₂) - Normální provoz.

ŽLUTÁ kontrolka () - IHNED volejte dodavatele. Pokud vám dodavatel nepodá jiné pokyny, můžete v používání koncentrátoru pokračovat. Ujistěte se, že se poblíž nalézá náhradní zdroj kyslíku.

ČERVENÁ kontrolka (△) - Úplné vypnutí přístroje. OKAMŽITĚ přepněte na náhradní zdroj kyslíku. IHNED volejte dodavatele (OBRÁZEK 5.7).

ZELENÁ kontrolka - ŽLUTÁ kontrolka bliká - IHNED volejte dodavatele. Špatná funkce kyslíkového čidla, můžete pokračovat v používání koncentrátoru (OBRÁZEK 5.7).

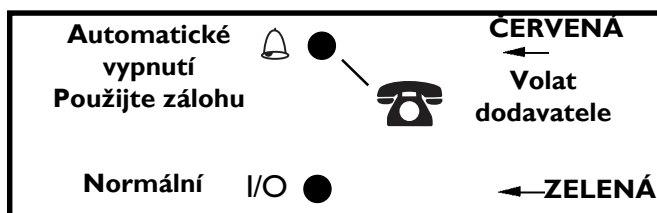
Kontrolky (model LX)

POZNÁMKA: Postup viz OBRÁZEK 5.8.

Vysvětlení světelných kontrolek modelů LX

ČERVENÁ kontrolka (△) - Úplné vypnutí přístroje. OKAMŽITĚ přepněte na náhradní zdroj kyslíku. IHNED volejte dodavatele.

ZELENÁ kontrolka (I/O) - zapnutí/vypnutí (On/Off). Systém je v pořádku.



OBRÁZEK 5.8 Kontrolky (model LX)

Alarm při výpadku napájení ze sítě

Systém alarmů neobsahuje baterii a proto jej není třeba udržovat. Systém alarmů napájí kapacitor, který je trvale nabitý a je připraven spustit alarm při výpadku napájení ze sítě.

Měřič uplynulého času (měření hodin)

Měřicí hodiny ukazují celkový počet hodin, kdy byl přístroj v provozu.

ČÁST 6—ÚDRŽBA

POZNÁMKA: Koncentrátory Invacare jsou specificky zkonstruovány tak, aby minimalizovaly potřebu rutinní preventivní údržby. Na místech, kde je mnoho prachu nebo vzdušných nečistot, může být potřebná častější údržba. Pouze výrobcem autorizovaní nebo vyškolení pracovníci mohou provádět preventivní údržbu koncentrátoru. Před zahájením preventivní údržby koncentrátoru Invacare je nutno odpojit přístroj od elektrického zdroje.

POZNÁMKA: Preventivní údržba MUSÍ být prováděna minimálně podle pokynů v protokolu údržby. Viz Protokol preventivní údržby kyslíkového koncentrátoru Invacare Platinum na stranì 195.

Rutinní údržba

POZNÁMKA: Následující postupy rutinní údržby je nutno provádět častěji. Viz doporučené intervaly v jednotlivých sekcích a protokol preventivní údržby.

Čištění skříňového filtru

POZNÁMKA: Postup viz OBRÁZEK 6.1 na stranì 194.

UPOZORNĚNÍ

NEPOUŽÍVEJTE koncentrátor bez nainstalovaných filtrů.

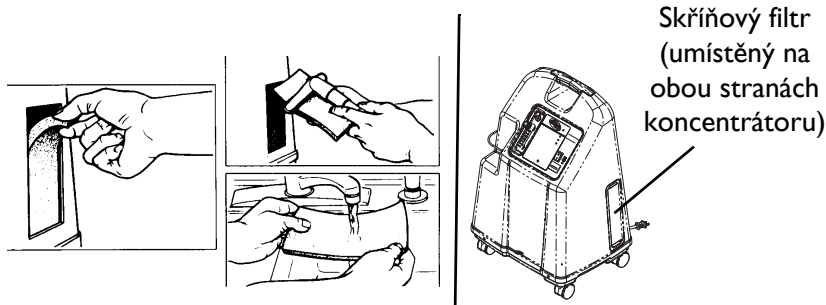
POZNÁMKA: Koncentrátor má dva skříňové filtry. Na každé straně skříně koncentrátoru je umístěn jeden z nich.

1. Vyjměte oba filtry a vyčistěte je nejméně jednou týdně v závislosti na okolních podmínkách.

POZNÁMKA: Okolní podmínky, které mohou vyžadovat častější čištění filtrů, mezi jiným zahrnují: vysoká prašnost, kouření, znečištěné ovzduší atd.

2. Vyčistěte skříňové filtry vysavačem nebo je vyperte v teplém mýdlovém roztoku a důkladně vypláchněte.

3. Před opětovnou instalací filtry důkladně usušte.



OBRÁZEK 6.1 Čištění skříňového filtru

Skříň

⚠ VAROVÁNÍ

Při čištění koncentrátor odpojte od zdroje elektrické energie. **NEVYJÍMEJTE** skříň, abyste zabránili nebezpečí poranění elektrickým proudem.

1. Vyčistěte skříň jemným čisticím prostředkem pro domácnost a neabrazivní textilií nebo houbičkou.

Zvlhčovač

POZNÁMKA: Zvlhčovač kyslíku čistěte podle pokynů výrobce. Pokud výrobce žádné pokyny nedodal, postupujte v následujících krocích:

1. Čistěte zvlhčovač každý den.
2. Umyjte jej v mýdlovém roztoku a vypláchněte jej roztokem deseti dílů vody a jednoho dílu octa.
3. Důkladně jej vypláchněte horkou vodou a opětovně jej naplňte destilovanou vodou po úroveň vyznačenou na zvlhčovači.

⚠ VAROVÁNÍ

NEPŮEPLŮJTE láhev zvlhčovače.

MODEL Č. IRC _____ SÉRIE Č. _____



ZÁZNAM PREVENTIVNÍ ÚDRŽBY

PŘI KAŽDÉ INSPEKCI

		Yes, you can:											
Zapište datum servisu													
Zapište počet uplynulých hodin na měřiči hodin													
Vyčistěte filtry ve skříňce													
Zkontrolujte předepsanou hladinu průtoku v l/min													
KAŽDÝCH 4380 PROVOZNÍCH HODIN													
Zkontrolujte koncentraci kyslíku (JEDNOTKY BEZ TECHNOLOGIE SensO₂)													
KAŽDÝCH 26 280 PROVOZNÍCH HODIN NEBO 3 ROKY, COKOLIV NASTANE JAKO PRVNÍ													
Zkontrolujte koncentraci kyslíku (JEDNOTKY S TECHNOLOGIE SensO₂)													
BĚHEM PLÁNOVANÉ PREVENTIVNÍ ÚDRŽBY NEBO MEZI DVĚMA PACIENTY													
Vyčistěte / vyměňte filtry ve skříňce													
Zkontrolujte ventil HEPA filtru*													
Zkontrolujte filtr v sacím ventilu kompresoru*													
Zkontrolujte poplašný signál při výpadku elektrického proudu													
PODLE POTŘEBY													
Vyčistěte výměník tepla													
Vyměňte tlumič odsávání													
Proveďte rekonstrukci horní části kompresoru													

*OBRAZĚK: Viz Část Preventivní údržba v Návodu k obsluze.

OBRAZĚK:

4380 provozních hodin je ekvivalent použití 24 hodin denně, 7 dní v týdnu, po dobu 6 měsíců.
26 280 provozních hodin je ekvivalent použití 24 hodin denně, 7 dní v týdnu, po dobu 3 let.

OBRAZĚK 6.2 Protokol preventivní údržby kyslíkového koncentrátoru Invacare Platinum

ČÁST 7— NÁVOD K ODSTRAŇOVÁNÍ PROBLÉMŮ

PŘÍZNAK:	PRAVDĚPODOBNÁ PŘÍČINA:	ŘEŠENÍ:
Alarm:	Výpadek napájení ze sítě:	
Krátká pípnutí, dlouhá pauza	1. Napájecí kabel NENÍ zapojen.	1. Zapojte zástrčku do elektrické zásuvky.
Koncentrátor není v provozu, vypínač proudu je v pozici On (zapnuto).	2. Na elektrické zásuvce není napětí.	2. Prohlédněte si domácí jističe nebo pojistky. Pokud se problém opakuje, použijte jinou zásuvku.
Píp.....Píp.....	3. Vypnutá pojistka.	3. Zavolejte servisního pracovníka.
Alarm: Nepřerušovaný Koncentrátor není v provozu, vypínač proudu je v pozici On (zapnuto). Přííííííp....	Porucha systému: 1. Přehřívání přístroje vzhledem k zablokovanému přívodu vzduchu. 2. Na výstupu není dostatečné napájení. 3. Jsou potřebné interní opravy	1a. Vyměňte a vyčistěte skříňové filtry. 1b. Postavte přístroj do vzdálenosti nejméně 7,5 cm od stěn, závěsů či nábytku. 2. NEPOUŽÍVEJTE prodlužovací šňůru. Přesuňte přístroj k jiné elektrické zásuvce či okruhu. 3. Zavolejte servisního pracovníka.

PŘÍZNAK:	PRAVDĚPODOBNÁ PŘÍČINA:	ŘEŠENÍ:
<p>Svítil ŽLUTÁ nebo ČERVENÁ kontrolka.</p> <p>Alarm: Nepřerušovaný Svítil pouze červená kontrolka.</p> <p>*Platí pouze pro modely SensO₂.</p>	<p>1. Nízká čistota kyslíku.*</p> <p>2. Zkroucená nebo zablokovaná hadice, kanyla nebo zvlhčovač.*</p> <p>3. Měřič průtoku nastaven na 0,5 l/min nebo méně.*</p> <p>4. Přehřívání přístroje vzhledem k zablokovanému přívodu vzduchu.</p> <p>5. Na výstupu není dostatečné napájení.</p> <p>6. Jsou potřebné interní opravy.</p>	<p>1. Vyčistěte nebo vyměňte filtry.</p> <p>2. Prohlédněte, zda není přítomno překroucení nebo blokáda. Opravte, vyčistěte nebo vyměňte přístroj. Po dokončení opravy vypněte na 60 sekund napájení (poloha OFF) a pak jej opět zapněte (poloha ON).</p> <p>3. Zkontrolujte, že je měřič průtoku nastaven minimálně na 1,0 l/min. (Viz <u>Doporučení pro optimální výkon</u> na straně 185.</p> <p>4a. Vyjměte a vyčistěte skříňové filtry.</p> <p>4b. Postavte koncentrátor do vzdálenosti nejméně 7,5 cm od stěn, závěsů či nábytku.</p> <p>5. NEPOUŽÍVEJTE prodlužovací šňůru. Přesuňte přístroj k jiné elektrické zásuvce či okruhu.</p> <p>6. Zavolejte servisního pracovníka.</p>
<p>ZELENÁ kontrolka ŽLUTÁ kontrolka bliká.</p>	<p>1. Jsou potřebné interní opravy.</p>	<p>1. Zavolejte servisního pracovníka.</p>

PŘÍZNAK:	PRAVDĚPODOBNÁ PŘÍČINA:	ŘEŠENÍ:
<p>Alarm: RYCHLÝ</p> <p>Píp....Píp... Píp....Píp</p>	<p>Alarm při nízkém průtoku</p> <p>Ia. Zkroucená nebo zablokovaná hadice, kanyla nebo zvlhčovač.</p> <p>Ib. Měřič průtoku nastaven na 0,5 l/min nebo méně.</p>	<p>Ia. Prohlédněte, zda není přítomno překroucení nebo blokáda. Opravte, vyčistěte nebo vyměňte přístroj. Po dokončení opravy vypněte na 60 sekund napájení (poloha OFF) a pak jej opět zapněte (poloha ON).</p> <p>Ib. Resetujte nastavení měřiče průtoku na předepsanou hodnotu. Použití rychlostí průtoku nižších než 1 l/min se nedoporučuje.</p>

OMEZENÁ ZÁRUKA**Belgium & Luxemburg:**

Invacare nv, Autobaan 22, B-8210
Loppem
Tel: (32) (0) 50 83 10 10
Fax: (32) (0) 50 83 10 11
belgium@invacare.com

Danmark:

Invacare A/S, Sdr. Ringvej 37, DK-2605
Brøndby
Tel: (45) (0)36 90 00 00
Fax: (45) (0)36 90 00 01
denmark@invacare.com

Deutschland:

Invacare Aquatec GmbH,
Alemannenstraße 10, D-88316 Isny
Tel: (49) (0)75 62 7 00 0
Fax: (49) (0)75 62 7 00 66
info@invacare-aquatec.com

European Distributor Organisation:

Invacare, Kleiststraße 49, D-32457 Porta
Westfalica
Tel: (49) (0)57 31 754 540
Fax: (49) (0)57 31 754 541
edo@invacare.com

España:

Invacare SA, c/Areny s/n, Polígon
Industrial de Celrà, E-17460 Celrà
(Girona)
Tel: (34) (0)972 49 32 00
Fax: (34) (0)972 49 32 20
contactsp@invacare.com

France:

Invacare Poirier SAS, Route de St Roch,
F-37230 Fondettes
Tel: (33) (0)2 47 62 64 66
Fax: (33) (0)2 47 42 12 24
contactfr@invacare.com

Ireland:

Invacare Ireland Ltd, Unit 5 Seatown
Business Campus,
Seatown Road, Swords, County Dublin
– Ireland
Tel: (353) 1 810 7084
Fax: (353) 1 810 7085
ireland@invacare.com

Italia:

Invacare Mecc San s.r.l., Via dei Pini 62,
I-36016 Thiene (VI)
Tel: (39) 0445 38 00 59
Fax: (39) 0445 38 00 34
italia@invacare.com

Nederland:

Invacare BV, Celsiusstraat 46, NL-6716
BZ Ede
Tel: (31) (0)318 695 757
Fax: (31) (0)318 695 758
nederland@invacare.com
csede@invacare.com

Norge:

Invacare AS, Grensesvingen 9, Postboks
6230, Etterstad, N-0603 Oslo
Tel: (47) (0)22 57 95 00
Fax: (47) (0)22 57 95 01
norway@invacare.com
island@invacare.com

Österreich:

Invacare Austria GmbH, Herzog
Odilostrasse 101, A-5310 Mondsee
Tel: (43) 6232 5535 0
Fax: (43) 6232 5535 4
info@invacare-austria.com

Sverige & Suomi:

Invacare AB, Fagerstagatan 9,
S-163 91 Spånga
Tel: (46) (0)8 761 70 90
Fax: (46) (0)8 761 81 08
sweden@invacare.com
finland@invacare.com

Switzerland:

Invacare AG,
Benkenstrasse 260, CH-4108 Witterswil
Tel: (41) (0)61 487 70 80
Fax: (41) (0)61 487 70 81
switzerland@invacare.com

United Kingdom:

Invacare Limited, Pencoed Technology
Park, Pencoed, Bridgend CF35 5HZ
Tel: (44) (0) 1656 776200
Fax: (44) (0) 1656 776201
Customer Services:
Tel: (44) (0) 1656 776222
Fax: (44) (0) 1656 776220
UK@invacare.com

Portugal:

Invacare Lda,
Rua Estrada Velha, 949, P-4465-784 Leça
do Balio
Tel: (351) (0)225 1059 46/47
Fax: (351) (0)225 1057 39
portugal@invacare.com



Yes, you can:

Invacare Corporation

www.invacare.com

USA
One Invacare Way
Elyria, Ohio USA
44036-2125
440-329-6000
800-333-6900
Technical Services
440-329-6593
800-832-4707

Manufacturer:
Invacare Rehabilitation
Equipment (Suzhou) Co.,
Ltd.
No. 435 Xieyu Street, SIP,
Suzhou, Jiangsu, PRC 215026
Tel: 86-512-62586180
Fax: 86-512-62586167



0434



EU Representative
Invacare International Sarl
Route de Cité Ouest 2
1196 Gland
Switzerland
Tel: +41 22 354 60 10
Fax: +41 22 354 60 11

© 2010 Invacare Corporation. All rights reserved. Republication, duplication or modification in whole or in part is prohibited without prior written permission from Invacare. Trademarks are identified by TM and [®]. All trademarks are owned by or licensed to Invacare Corporation or its subsidiaries unless otherwise noted.

Part No 1141491

Rev G - 12/10

