

**Manual Wheelchair
Rollstuhl
Fauteuil roulant manuel
Handbewogen rolstoel
Silla de ruedas manual
Cadeira de Rodas Manual
Carrozzina manuale
Manuell rullstol
Wózek manualny
Manuaalinen pyörätuoli**

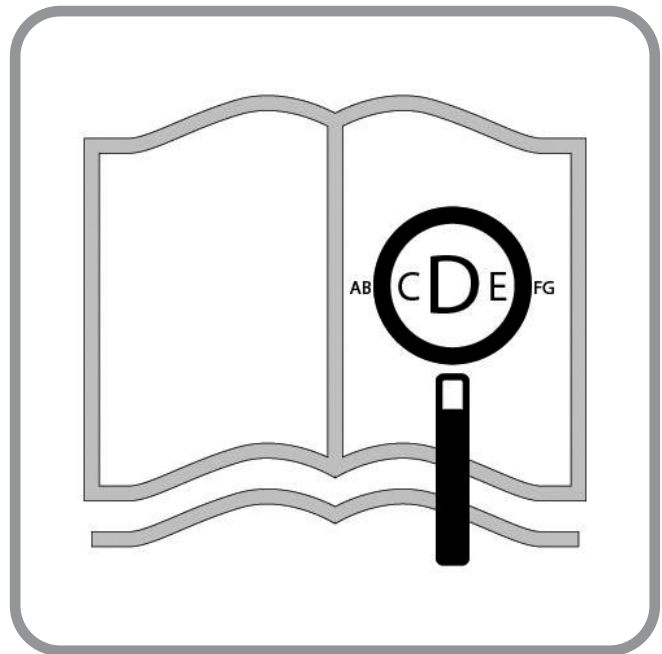


Relax2

**Directions for use
Gebrauchsanweisung
Notice d'utilisation
Gebruikershandleiding
Manual de usuario
Instruções para utilização
Manuale d'uso
Bruksanvisning
Instrukcja użytkowania
Käyttöohjeet**

 **Breezy®**

000690949.03



Wheelchair Components

EN 

We at SUNRISE MEDICAL have been awarded the ISO-13485 certificate, which affirms the quality of our products at every stage, from R & D to production. This products meet the requirements in accordance with EC regulations. Options or accessories shown are available at extra cost.

Rollstuhlkomponenten

DE 

SUNRISE MEDICAL ist nach ISO 13485 zertifiziert und garantiert damit die Qualität unserer Produkte bei allen Entwicklungs- und Produktionsstufen dieses Rollstuhls. Dieses Produkt erfüllt die Anforderungen gemäß der EU-Verordnung. Hier abgebildete Optionen oder Zubehörteile sind gegen Aufpreis erhältlich.

Description du fauteuil

FR 

Nous, la société SUNRISE, sommes certifiés ISO 13485, ce qui garantit la qualité de nos produits à tous les stades, du développement jusqu'à la production. Ce produit est conforme aux réglementation de la Communauté européenne. Les options ou accessoires illustrés sont disponibles en option.

Rolstoelonderdelen

NL 

SUNRISE MEDICAL heeft het ISO 13485 certificaat toegekend gekregen, een bewijs van de kwaliteit van onze processen in elk stadium, vanaf het onderzoek en de ontwikkeling tot de productie. Deze producten voldoen aan de eisen in overeenstemming met de EG-regelgeving. Getoonde opties en accessoires zijn tegen betaling verkrijgbaar.

Componentes de la silla

ES 

SUNRISE MEDICAL ha obtenido el certificado de calidad ISO 13485, el cual confirma la calidad de sus productos en todo momento, desde el inicio del proceso de desarrollo del producto, hasta su posterior producción. Este producto cumple con los normativa marcados por la CE. Los accesorios y equipamiento opcionales se encuentran disponibles con un coste adicional.

Componentes da Cadeira de Rodas

PT 

A SUNRISE MEDICAL recebeu o Certificado ISO 13485, que confirma a qualidade dos seus produtos em todas as fases desde a pesquisa e desenvolvimento até ao fabrico. Estes produtos satisfazem os requisitos de acordo com as regulamentos da CE. As opções e acessórios estão disponíveis sem custo extra.

Componenti della carrozzina

IT 

SUNRISE MEDICAL ha ottenuto la certificazione ISO-13485 che certifica la qualità dei suoi prodotti in ogni fase del loro processo di realizzazione, dalla ricerca e sviluppo alla produzione. I nostri sistemi di gestione della qualità, poiché conformi alla norma ISO 13485, garantiscono che anche il vostro prodotto Sunrise Medical soddisfa i requisiti del Regolamento Dispositivi Medici.

Rullstolens delar

SE 

SUNRISE MEDICAL innehar ett ISO 13485-certifikat, vilket säkerställer våra produkters kvalitet i varje led från FoU till produktion. Dessa produkter uppfyller kraven i enlighet med EU:s föreskrifterna. Tillval eller tillbehör finns tillgängliga till extra kostnad.

Elementy wózka inwalidzkiego

PL 

Firma SUNRISE MEDICAL posiada certyfikat ISO 13485, który potwierdza wysoką jakość naszych produktów na każdym etapie ich powstawania, od opracowywania nowych rozwiązań po fazę produkcji. Produkty te spełniają wymagania zgodne z rozporządzeniami UE. Dodatkowe wyposażenie i akcesoria dostępne za dodatkową opłatą.

Pyörätuolin osat

FI 

SUNRISE MEDICALille on myönnetty ISO 13485-serfikaatti, joka takaa tuotteidemme korkean laadun kaikissa tuotantovaiheissa suunnittelusta valmistukseen. Tuotteemme täyttävät EY-koskevat määräykset. Esitetyt lisälaitteet ja -varusteet ovat saatavilla lisämaksusta.



7



1. Push handles
2. Backrest upholstery
3. Sideguard
4. Seat sling
5. Footrest
6. Castors
7. Footboard
8. Fork
9. Quick-release axle
10. Wheel locks
11. Handrim
12. Rear wheel



25



1. Schiebegriffe
2. Rückenbespannung
3. Seitenteil
4. Sitzbespannung
5. Fußraste
6. Lenkräder
7. Fußbrett
8. Gabel
9. Steckachse
10. Feststellbremsen
11. Greifring
12. Antriebsrad



43



1. Poignées de poussée
2. Toile de dossier
3. Protège-vêtement
4. Toile du siège
5. Repose-pieds
6. Roues avant
7. Palette
8. Fourche
9. Axe à déverrouillage rapide
10. Freins
11. Main courante
12. Roue arrière Régler votre fauteuil



61



1. Duwhandvatten
2. Spanbanden rug
3. Zijkanten
4. Zitbekleding
5. Voetsteun
6. Voorwielen
7. Voetplaat
8. Vork
9. Quick release assen
10. Remmen
11. Hoepel
12. Achterwiel



79



1. Empuñaduras
2. Tapicería del respaldo
3. Protector lateral
4. Tapicería del asiento
5. Reposapiés
6. Ruedas delanteras
7. Plataforma reposapiés
8. Horquilla
9. Eje de desmontaje rápido
10. Frenos
11. Aro
12. Rueda trasera



97



1. Manípulos de Pressão
2. Estofa do Encosto
3. Protecções Laterais
4. Correia do Assento
5. Apoio de Pés
6. Rodas Giratórias
7. Plataforma para Pés
8. Forqueta
9. Eixos de extracção rápida
10. Dispositivos de bloqueio das rodas
11. Aro da roda
12. Roda traseira



115



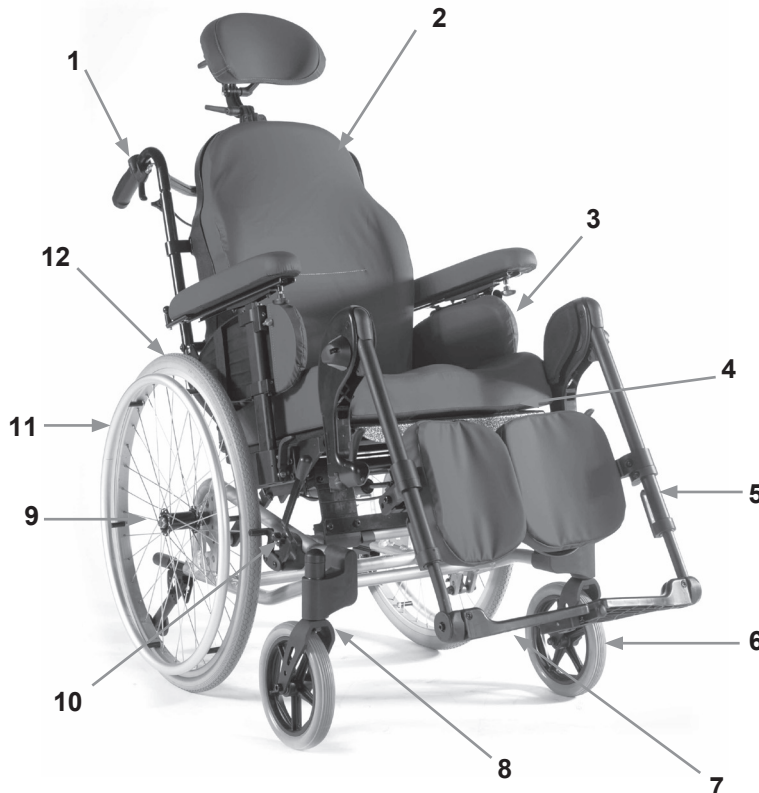
1. Maniglie di spinta
2. Telo schienale
3. Spondina
4. Telo seduta
5. Appoggiapiedi
6. Ruote anteriori
7. Pedana
8. Forcella
9. Asse ad estrazione rapida
10. Freni
11. Corrimano
12. Ruota posteriore



133



1. Körhandtag
2. Ryggklädsel
3. Sidoskydd
4. Hängmattesits
5. Benstöd
6. Länkhjul
7. Fotplatta
8. Gaffel
9. Snabbkopplingsaxel
10. Däckbromsar
11. Drivring
12. Drivhjul



151













1. Uchwyty do popychania
2. Tapicerka oparcia
3. Oslona boczna
4. Zawiesie siedziska
5. Podnózek
6. Kółka przednie
7. Płyta podnóżka
8. Widelec
9. Oś szybkozłączna
10. Blokady kół
11. Ciąg
12. Tylne koło

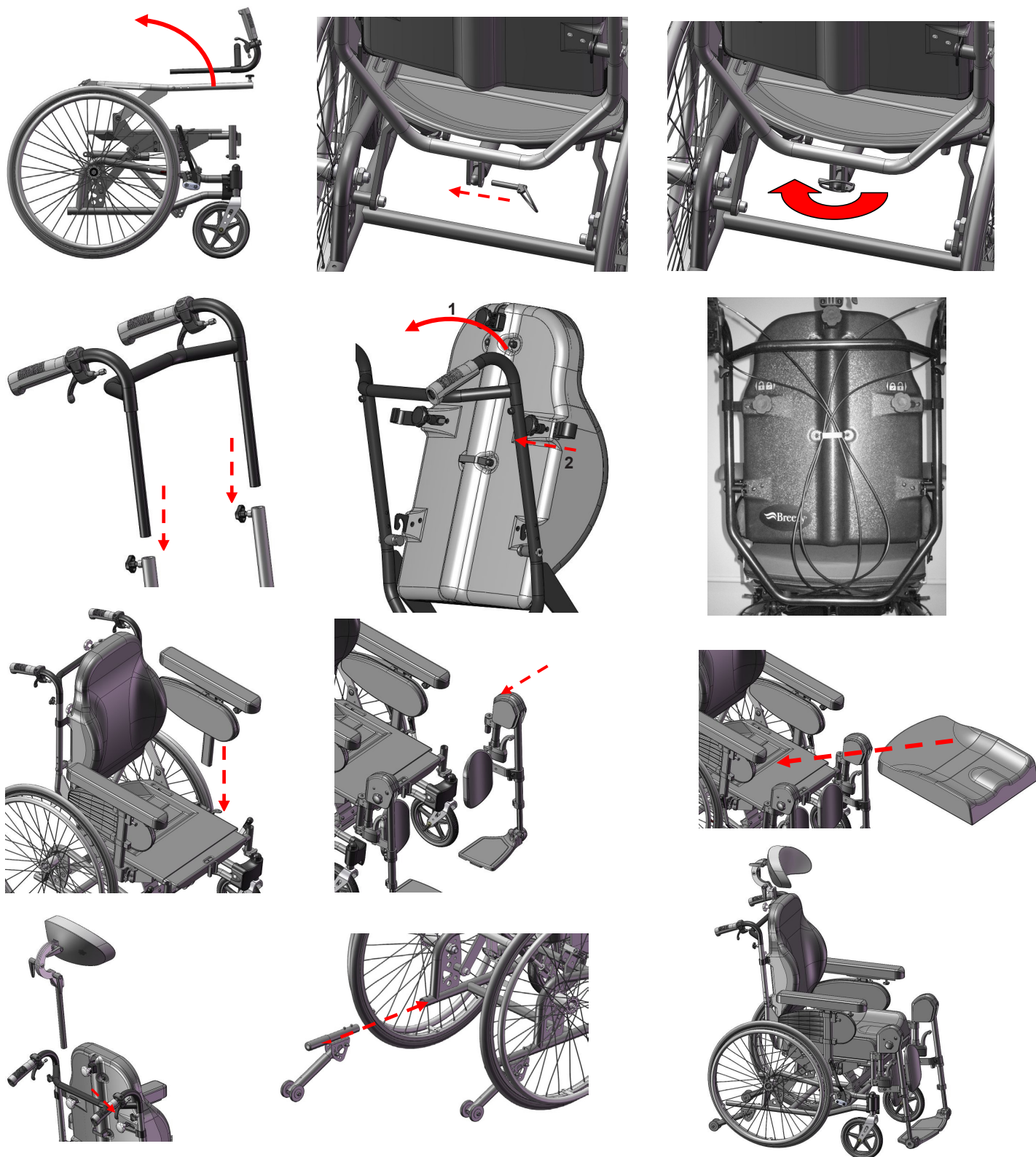


169



1. Työntökahvat
2. Selkänojan verhoilu
3. Sivulaita
4. Istuinverhoilu
5. Jalkatuki
6. Tukipyörät
7. Jalkalevy
8. Haarukka
9. Pikakiinnitysakseli
10. Pyörien jarrut
11. Kelausvanne
12. Kuljetuspyörä

Setting up your wheelchair	EN	
Ihren Rollstuhl auf den Gebrauch vorbereiten	DE	
Régler votre fauteuil	FR	
Het klaarmaken van uw rolstoel	NL	
Su Silla de Ruedas	ES	
Preparar a cadeira de rodas	PT	
Impostazione della carrozzina	IT	
Ställa in din rullstol	SE	
Przygotowanie wózka do pierwszego użycia	PL	
Pyörätuolin käyttöönotto	FI	

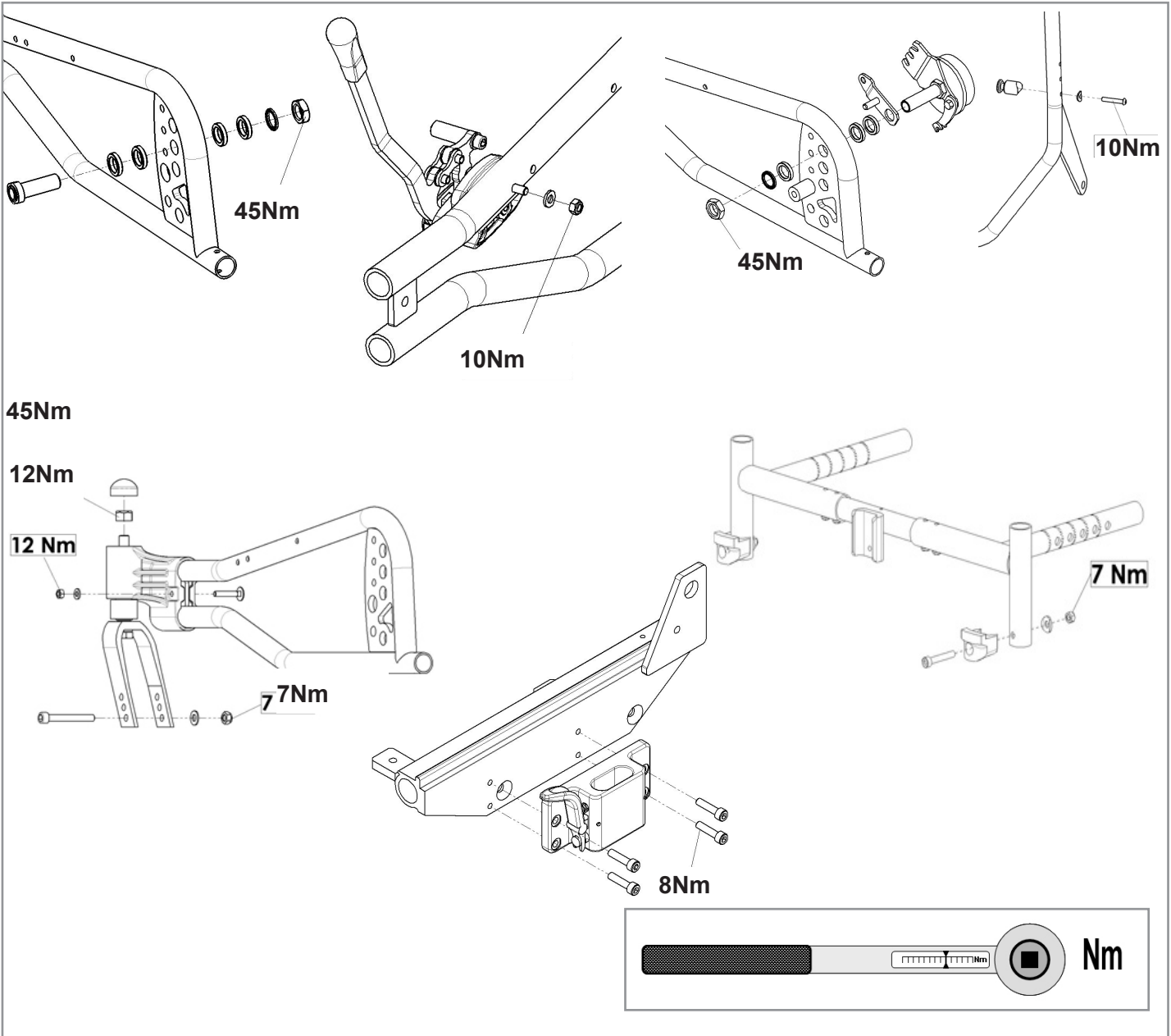




	1110 ↑↓ 990		740 ↑↓ 630		950 ↑↓ 870		560 ↑↓ 390
	580 ↑↓ 480		500 ↑↓ 420		330 ↑↓ 210		535 ↑↓ 485
	600 ↑↓ 525		530 ↑↓ 370				
	900 ↑↓ 860		420 ↑↓ 320				MAX mm ↑↓ MIN mm
	10° ↑↓ 0°		10° ↑↓ 0°		10° ↑↓ 0°		MAX ↑↓ MIN
	25° ↑↓ 0°		35° ↑↓ 0°		180° ↑↓ 90°		MAX ↑↓ MIN
	18.0 ↑↓ 18.0		38.2 ↑↓ 34.0		XL 170 ↑↓ 145		4.0 ↑↓ ---



450mm	8"	1			B	24"	1
475mm	8"		2	A		24"	2
500mm	8"		2		B	24"	3
415mm	6"	1			B	22"	1
450mm	6"		2	A		22"	2
475mm	6"		2		B	22"	3
450mm	8"	1			B	16"	4



Foreword

Dear Customer,

We are very pleased that you have decided in favour of a high-quality SUNRISE MEDICAL product.

This Owner's manual will provide numerous tips and ideas so that your new wheelchair can become a trustworthy and reliable partner in your life.

Maintaining close ties to our customers means a lot to us at Sunrise Medical. We like to keep you up-to-date about new and current developments at our company. Keeping close to our customers means: fast service, as little red tape as possible, working closely with customers. When you need replacement parts or accessories, or if you just have a question about your wheelchair – we are there for you.

We want you to be satisfied with our products and service. At Sunrise Medical we are constantly working to develop our products further. For this reason, changes can occur in our palette of products with regard to form, technology, and equipment. Consequently, no claims can be construed from the data or pictures contained in this owner's manual.

The management system of SUNRISE MEDICAL is certified to DIN EN ISO 9001, ISO 13485 and ISO 14001.

CE As the manufacturer, SUNRISE MEDICAL, declares that the lightweight wheelchairs conform to the Medical Device Regulation (2017/745).

NOTE:
General user advice.

Not following these instructions may result in physical injury, damage to the product or damage to the environment!

A notice to the user and/or patient that any serious incident that has occurred in relation to the device should be reported to the manufacturer and the competent authority of the Member State in which the user and/or patient is established.

B4Me special adaptations

Sunrise Medical strongly recommends that in order to ensure that your B4Me product operates, and performs as intended by the manufacturer; all the user information supplied with your B4Me product is read and understood, before the product is first used.

Sunrise Medical also recommends that the user information is not discarded after reading it, but it is kept safely stored for future reference.

Medical Device Combinations

It may be possible to combine this Medical device with one or more other Medical Device or other product. Information on which combinations are possible can be found at www.Sunrisemedical.co.uk. All combinations listed have been validated to meet the General Safety and Performance Requirements, Annex I Nr. 14.1 of the Medical Device Regulation 2017/745.

Guidance on the combination, such as mounting, can be found at www.SunriseMedical.co.uk

Please contact your local, authorised SUNRISE MEDICAL dealer if you have any questions regarding the use, maintenance or safety of your wheelchair.

In case there is no authorised dealer in your area, or you have any questions, contact Sunrise Medical either in writing or by telephone.

Sunrise Medical
Thorns Road
Brierley Hill
West Midlands
DY5 2LD
England
Phone: 0845 605 66 88
Fax: 0845 605 66 89
www.SunriseMedical.co.uk

IMPORTANT:
 **DO NOT USE YOUR WHEELCHAIR UNTIL THIS MANUAL HAS BEEN READ AND UNDERSTOOD.**

Use

Wheelchairs are exclusively for a user who is unable to walk or has limited mobility, for their own personal use, when self-propelling and being moved by a third party (pushed by attendant) within the home and outdoors.

The maximum weight limit (includes both the user and any weight of accessories fitted to the wheelchair) is marked on the serial number label, which is affixed to the cross-brace or the stabilising bar under the seat.

Warranty can only be issued if the product is used under the specified conditions and for the intended purpose. The expected life of the wheelchair is 5 years. NO NON-STANDARD PARTS are to be fitted, other than those officially approved by Sunrise Medical.

Area of Application.

Indications

The varieties of fitting variants, as well as the modular design, mean that it can be used by those who cannot walk or have limited mobility because of:

- Paralysis
- Loss of extremity (leg amputation)
- Extremity defect deformity
- Joint contractures/joint injuries
- Illnesses such as heart and circulation deficiencies, disturbance of equilibrium or cachexia, Neurological disease patterns, Muscle dystrophy, Hemiplegia as well as for elderly people who still have strength in the upper body.

Contraindications

The wheelchair shall not be used without attendant in case of:

- Perception disorder
- Imbalance
- Loss of both arms, if not supported by a caregiver
- Joint contracture or joint damage on both arms
- Seating disability





When considering provision, please also note the body size, weight, physical and psychological constitution, the age of the person, living conditions and environment.

Table of contents

Table of contents	8
General safety notes and driving restrictions	9
Warranty	11
Transportability	12
Handling	14
Options – Step Tubes	14
Options - Wheel locks	14
Options - Footplates	15
Options - Amputee Support	16
Options - Elevating Leg Rests	16
Options - Castors	16
Options – Castor adapter	17
Options - Backrest	17
Options - sideguard	18
Options – Hemiplegic armrest	18
Options – Anti-Tip Tubes	18
Options – Lap belt	19
Options - Seat	20
Options - Abduction	21
Options – Push handles	21
Options – Headrests	21
Options – Therapy table	21
Name Plate	22
Daily Checks	22
Tyres and Mounting	23
Maintenance and Care	23
Trouble shooting	24
Disposal / Recycling of Materials	24

Definitions

3.1 Definitions of words used in this manual

Word	Definition
 DANGER!	Advice to the user of Potential Risk of serious injury or death if the advice is not followed
 WARNING!	Advice to the user of a potential risk of injury if the advice is not followed
 CAUTION!	Advice to user that potential damage to equipment may occur if the advice is not followed
NOTE:	General advice or best practice
	Reference To Additional Documentation

NOTE:

The wheelchairs shown and described in this user guide may not correspond in every detail exactly to your own model. However, all instructions are completely relevant, regardless of possible detail differences.

The manufacturer reserves the right to alter without notice any weights, measurements or other technical data shown in this manual. All figures, measurements and capacities shown in this manual are approximate and do not constitute specifications.

NOTE:

Please keep a note of your local service agent's address and telephone number in the space provided.

In the event of a breakdown, contact them and try to give all relevant details so they can help you quickly.

Dealer signature and stamp

General safety notes and driving restrictions

The engineering and construction of this wheelchair has been designed to provide maximum safety. International safety standards currently in force have either been fulfilled or exceeded in parts.

Nevertheless, users may put themselves at risk by improperly using their wheelchairs. For your own safety, the following rules must be strictly observed.

Unprofessional or erroneous changes or adjustments increase the risk of accident. As a wheelchair user, you are also part of the daily traffic on streets and pavements, just like anyone else. We would like to remind you that you are therefore also subject to any and all traffic laws.

Be careful during your first ride in this wheelchair. Get to know your wheelchair.

Before each use, the following should be checked:

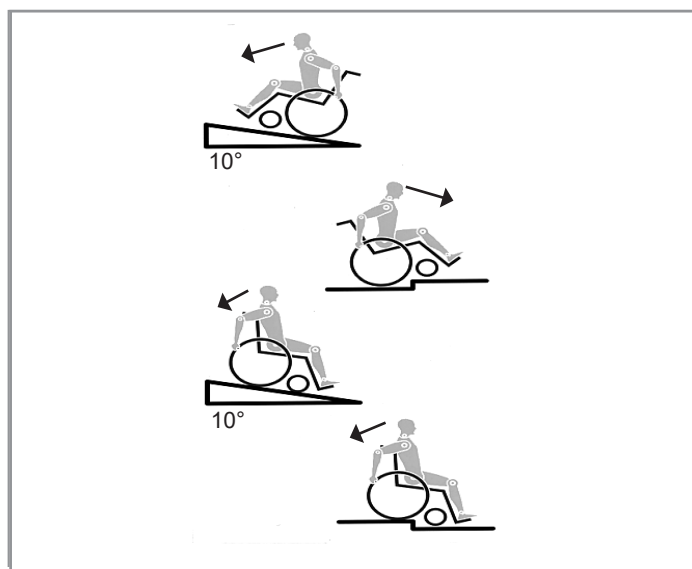
- Fixed axles or Quick-release axles on the rear wheels.
- Velcro on seats and backrests
- Tyres, tyre pressure and wheel locks.

Before changing any of the adjustments of this wheelchair, it is important to read the corresponding section of the user's manual.

It is possible that potholes or uneven ground could cause this wheelchair to tip over, especially when riding uphill or downhill. When riding forwards over a step or up an incline, the body should be leaning forward.

DANGER!

- NEVER exceed the maximum load of 145 kg, (XL=170 kg), for user plus any items carried on the wheelchair. If you exceed the maximum load, this can lead to damage to the chair, or you may fall or tip over, lose control and may lead to serious injury of the user and other people.
- When it is dark, please wear light clothing or clothing with reflectors, so that you can be seen more easily. Make sure that the reflectors on the side and back of the wheelchair are clearly visible.
- We would also recommend that you fit an active light.
- To avoid falls and dangerous situations, you should first practice using your new wheelchair on level ground with good visibility.
- When getting on or off the wheelchair, do not use the footboards.
- These should be flipped up beforehand and swung to the outside as far as possible. Always position yourself as close as possible to the place where you wish to transfer to.
- Only use your wheelchair with care. For example, avoid travelling against an obstacle without braking (step, kerb edge) or dropping down gaps.



- The wheel locks are not intended to stop your wheelchair in motion. They are only there to ensure that your wheelchair does not begin rolling unintentionally. When you stop on uneven ground, you should always use the wheel locks to prevent unintended movement. Always apply both wheel locks; otherwise, your wheelchair could tip over.
- Explore the effects of changing the centre of gravity on the behaviour of the wheelchair in use, for example on inclines, slopes, all gradients or when overcoming obstacles. Do this with the secure aid of a helper.
- With extreme settings (e.g. rear wheels in the most forward position) and less than perfect posture, the wheelchair may tip over even on a level surface.
- Lean your upper body further forward when going up slopes and steps.
- Lean your upper body further back when going down slopes and steps. Never try to climb and descend a slope diagonally.
- Avoid using an escalator which may lead to serious injury in the event of a fall.
- Do not use the wheelchair on slopes more than 10°. The Dynamic safe slope is dependant on the chair configuration, the users abilities and the style of riding. As the users abilities and style of riding cannot be predetermined then the max safe slope cannot be determined. Therefore this must be determined by the user with the assistance of an attendant to prevent tipping. It is strongly recommended that inexperienced users have Anti-tips fitted.
- It is possible that potholes or uneven ground could cause this wheelchair to tip over, especially when riding uphill or downhill.
- Do not use your wheelchair on muddy or icy ground.
- Do not use your wheelchair where pedestrians are not allowed.
- To avoid hand injuries do not grab in between the spokes or between the rear wheel and wheel lock when driving the wheelchair.
- In particular when using lightweight metal handdrims, fingers will easily become hot when braking from a high speed or on long inclines.
- Only attempt stairs with the help of an attendant. There is equipment available to help you, e.g. climbing ramps or lifts, please use them. If there is no such equipment available, then the wheelchair must be tipped and pushed, never carried, over the steps (2 helpers). We recommend that users over 100 kg in weight are not transferred in this way. In general, any anti-tip tubes fitted must be set beforehand, so that they cannot touch the steps, as otherwise this could lead to a serious tumble. Afterwards the anti-tip tubes must be set back to their correct position.

DANGER!

- Make sure that the attendant only holds the wheelchair using securely mounted parts. Do not use removable parts (e.g. not on the footrests or the side guards).
- When using the lifting ramp make sure that the anti-tip tubes fitted are positioned outside the danger area.
- Secure your wheelchair on uneven ground or when transferring, e.g. into a car, by using the wheel locks
- When using the lifting ramp make sure that the anti-tip tubes fitted are positioned outside the danger area.
- Secure your wheelchair on uneven ground or when transferring, e.g. into a car, by using the wheel locks.
- If and whenever possible, during a journey in a specially fitted vehicle for disabled people, vehicle occupants should use the seats in the vehicle and the appropriate restraint system. This is the only way to ensure that occupants will have the maximum protection if there is an accident.
- Depending on the diameter and setting of the castors, as well as the centre of gravity setting of the wheelchair, the castors may begin to wobble at high speeds. This can lead to castor seizure and the wheelchair may tip over. Therefore, please make sure that the castors are adjusted correctly (see the Chapter "Castors").

- Anti-tip tubes should prevent the chair tipping over backwards unintentionally. Under no circumstances should they take the place of transit wheels, and be used to transport a person in a wheelchair with the rear wheels removed.
- When reaching for objects (which are in front of, to the side or behind the wheelchair) make sure that you do not lean too far out of the wheelchair, as if you change the centre of gravity there is a risk of tipping or rolling over. The hanging of additional load (back pack or similar items) onto your chair back posts can affect the rearward stability of your chair, especially when used in combination with recliner backrests. This can cause the chair to tip backwards causing injury.
- For thigh amputees you must use anti-tip tubes.
- Before setting off, check that your tyre pressure is correct. For rear wheels it should be at least 3.5 bar (350 kPa). The max. pressure is indicated on the tyre. The knee-lever wheel locks will only work if there is sufficient tyre pressure and if the correct setting has been made (see the Chapter on "Wheel locks").
- If the seat and back sling are damaged, you must replace them immediately.
- Be careful with fire, in particular with burning cigarettes. Seat and back slings can be set alight.
- If the wheelchair is subject to direct sunlight / cold temperature for a long period of time, then parts of the wheelchair (e.g. frame, legrests, wheel locks and side guard) may become hot (>41°C) / very cold (<0°).
- Always make sure that, if fitted, the quick-release axles on the rear wheels are set properly and lock in (locking ball bearings are showing completely through the axle sleeve). If the button on the quick-release axle is not pressed in, the rear wheel cannot be removed.

CAUTION !

- The effect of the knee-lever brake as well as the general driving characteristics are dependant on tyre pressure. The wheelchair is significantly lighter and easier to manoeuvre when the rear wheels are pumped up correctly and both wheels have the same pressure.
- Make sure that your tyres have sufficient tread!
- Please note that you are subject to any and all traffic laws when driving in public traffic.
- Always be careful when handling or adjusting the wheelchair!
- Adjustments which require tools should always be done by authorized dealers.
- Clean the wheelchair regularly to avoid rust and salt corrosion.
- Check the rivets, nuts and bolts to make sure they are tight and that no wheelchair parts will come loose.
- With all moving parts there is a natural risk of finger traps. Please handle with care.
- The products shown and described in this manual may not be exactly the same in every detail as your own model. However, all instructions are still entirely relevant, irrespective of detail differences.
- The manufacturer reserves the right to alter without notice any weights, measurements or other technical data shown in this manual. All figures, measurements and capacities shown in this manual are approximate and do not constitute specifications.

DANGER!

CHOKING HAZARD – This mobility aid uses small parts which under certain circumstances may present a choking hazard to young children.

LIFETIME

The expected lifetime of this product is 5 years provided that: It is used in strict accordance with the intended use all service and maintenance requirements are met.

Warranty

GUARANTEE

THIS GUARANTEE DOES NOT AFFECT YOUR LEGAL RIGHTS IN ANY WAY.

Sunrise Medical* provides a guarantee, as set out in the warranty conditions, for wheelchairs to its customers covering the following

Warranty conditions

1. Should a part or parts of the wheelchair require repair or replacement as a result of a manufacturing and/or material fault within 24 months or for frame and cross-braces within 5 years after delivery to the customer, then the affected part or parts will be repaired or replaced free of charge. (Batteries are guaranteed for a period of 12 months subject to the correct battery care plan being followed)
2. To enforce the warranty, please contact Sunrise Medical Customer Service with the exact details of the nature of the difficulty. Should you be using the wheelchair outside the area covered by the Sunrise Medical customer service agent, repairs or replacement will be carried out by another agency as designated by the manufacturer. The wheelchair must be repaired by a Sunrise Medical designated Customer Service agent, (dealer).
3. For parts, which have been repaired or exchanged within the scope of this warranty, we provide a warranty in accordance with these warranty conditions for the remaining warranty period for the wheelchair in accordance with point 1).
4. For original spare parts which have been fitted at the customer's expense, these will have a 12 months guarantee, (following the fitting), in accordance with these warranty conditions.
5. Consumable parts such as pads, tyres, inner tubes and similar parts are excluded from the warranty, except in the case that premature wear of the part is the direct result of a manufacturing fault.
6. Claims from this warranty shall not arise, if a repair or replacement of a wheelchair or a part is required for the following reasons:
 - a) The product or part has not been maintained or serviced in accordance with the manufacturer's recommendations as shown in the User Instructions and/or the Service Instructions.
 - b) Accessories have been used which are not specified as original accessories.
 - c) The wheelchair or part having been damaged by neglect, accident or improper use.
 - d) Changes/modifications have been made to the wheelchair or parts, which deviate from the manufacturer's specifications.
 - e) Repairs have been carried out, before our Customer Service has been informed of the circumstances.
7. This guarantee is subject to the law of the country in which the product was purchased from Sunrise Medical"

* Means the Sunrise Medical facility from which the product was purchased.

Additional Notes For Australia Only:

1. For goods provided by Sunrise medical Pty Ltd in Australia, our goods come with a guarantee by Sunrise Medical that cannot be excluded under Australian Consumer Law.
2. You are entitled to a replacement or refund for a major failure and for compensation for any foreseeable loss or damage.
3. You are also entitled to have the goods repaired or replaced if the goods fail to be of acceptable quality and the failure does not amount to a major failure.
4. The benefits to you given by this warranty are in addition to your other rights and remedies under a law in relation to the goods to which the warranty relates.

Transportability

DANGER!

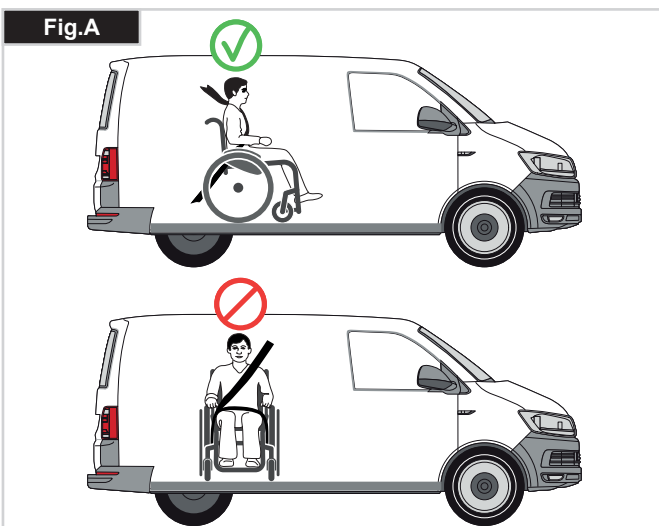
There is a risk of serious injury or death if this advice is ignored!

Transportation of your wheelchair within a vehicle:

A wheelchair secured in a vehicle will not provide the equivalent level of safety and security as a vehicle seating system. It is always recommended that the user transfers to the vehicle seating. It is recognised that this is not always practical for the user to be transferred and in these circumstances, where the user must be transported whilst in the wheelchair, the following advice must be followed:

1. Confirm that the vehicle is suitably equipped to transport a passenger in a wheelchair, and ensure the method of access/egress is suitable for your wheelchair type. The vehicle should have the floor strength to take the combined weight of the user, the wheel chair and accessories.
2. Sufficient space should be available around the wheelchair to enable clear access to attach, tighten and release the wheelchair and occupant tie down restraints and safety belts.
3. The occupied wheelchair must be located in a forward facing position and secured by the wheelchair tie down and occupant restraint straps (WTORS tie downs meeting the requirements of ISO 10542 or SAE J2249) in accordance with the WTORS manufacturer's instructions.
4. The wheelchair's use in other positions within a vehicle has not been tested e.g. transportation in a side facing position must not be carried out under any circumstances (Fig. A).

5. The wheelchair should be secured by a Tie Down Restraint system, conforming to ISO 10542 or SAE J2249 with non-adjustable front straps and adjustable rear straps, which typically use Karabiner clips/S hooks and tongue and buckle fittings. These restraints generally comprise of 4 individual straps that are attached to each corner of the wheelchair.
6. The tie-down restraints should be fitted to the main frame of the wheelchair as indicated in the diagram on the following page, and not to any attachments or accessories, e.g. not around the spokes of wheels, wheel locks or footrests.
7. The tie-down restraints should be attached as close as possible at an angle of 45 degrees and tightened securely in accordance with the manufacturer's instructions.
8. Alterations or substitutions must not be made to the wheelchair securement points or to structural and frame or components without consulting the manufacturer. Failure to do so will invalidate the ability of a Sunrise Medical wheelchair to be transported within a vehicle.
9. Both pelvic and upper torso restraint belts must be used to restrain the occupant to reduce the possibility of head and chest impacts with the vehicle components and serious risk of injury to the user and other vehicle occupants. (Fig B) The upper torso restraint belt should be mounted to the vehicle "B" pillar - failure to do so will increase the risk of serious abdominal injuries to the user.
10. A head restraint suitable for transportation (see label on headrest) must be fitted and suitably positioned at all times during transportation.
11. Postural supports (lap straps, lap belts) should not be used or relied on for occupant restraint in a moving vehicle unless they are labelled as meeting the requirements specified in ISO 7176-19:2001 or SAE J2249.
12. The safety of the user during transportation depends upon the diligence of the person securing the tie-down restraints and they should have received appropriate instructions and/or training in their use.



Transportability

- 13. Wherever possible remove and stow safely away from the wheelchair all auxiliary equipment, for example: Crutches, Loose cushions and Tray Tables.
- 14. Articulating/elevating leg rest should not be used in the elevated position when the wheelchair and user are being transported and the wheelchair is restrained using Wheelchair Transport and Occupant Restraints.
- 15. Reclining backrests should be returned to an upright position.
- 16. The manual wheel locks must be firmly applied.
- 17. Restraints should be mounted to the vehicle "B" pillar and should not be held away from the body by wheelchair components such as armrest or wheel

OCCUPANT RESTRAINTS INSTRUCTION:

- 1. The pelvic restraint belt must be worn low across the front of the pelvis so that the angle of the pelvic belt is within the preferred zone of 30 to 75 degrees to the horizontal. A steeper (greater) angle within the preferred zone is desirable i.e. closer to, but never exceeding 75degrees. (Fig C)
- 2. The upper torso restraint belt must fit over the shoulder and across the chest as illustrated Fig d and e
Restraint belts must be adjusted as tightly as possible consistent with user comfort.
Restraint belt webbing must not be twisted when in use.
The upper torso restraint belt must fit over the shoulder and across the shoulder as illustrated in Fig D and E.

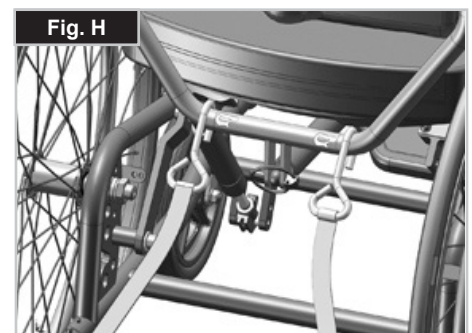
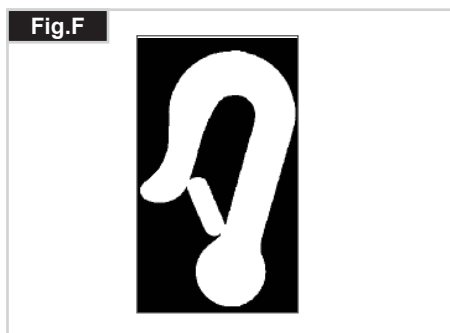
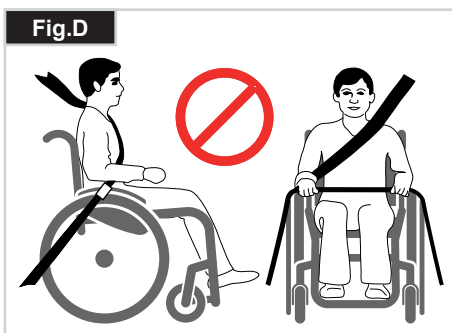
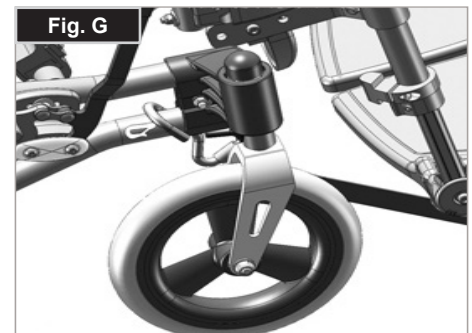
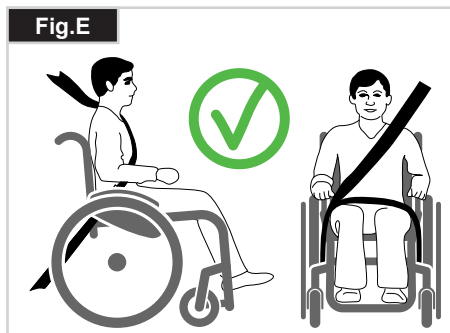
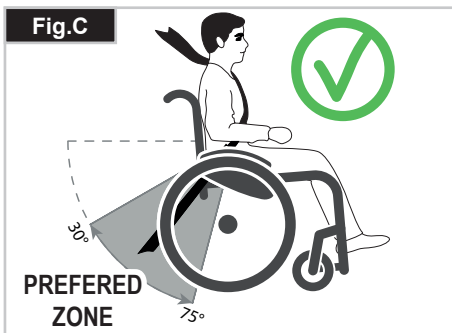
- 3. The attachment points to the chair are the inner front side frame just above the castor, and the rear side frame. The straps are fitted around the side frames at the intersection of the horizontal and vertical frame tubes. (See Figs G-H)
- 4. The tie down symbol (Fig F) on the wheelchair frame indicates the position of the wheelchair restraint straps. The straps are then tensioned after the front straps have been fitted to secure the wheelchair.

POSITIONING OF WHEELCHAIR TIE DOWN RESTRAINTS ON WHEELCHAIR:

- 1. Position of the front, (Fig.G) and rear, (Fig. H), wheelchair tie down restraint and the tie down label.

LESS THAN 22KG USER WEIGHT

When the user being transported is a child, less than 22Kg mass and the vehicle involved has less than eight (8) seated passengers it is recommended that they be transferred to an UNCE Regulation 44 compliant child restraint system (CRS). This type of restraint system provides a more effective occupant restraint system than the conventional 3 point occupant restraint system and some CRS systems also include additional postural supports to assist in maintaining the position of the child when seated. Parents or care providers may consider the option, in some circumstances, for their child is to remain in their wheelchair whilst in transport due to the level of posture control and comfort provided by the set up in the wheelchair. We would recommend in such circumstances that a risk assessment be carried out by your healthcare professional and relevant competent persons.



Handling

FOLDING UP

The backrest can be swung forwards to enable transportation of the wheelchair. Secure the backrest so that it cannot accidentally fall, remove the safety splint (1) and then fold the backrest forwards.

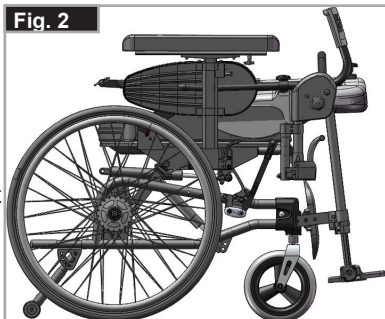


To get a smaller folding package the seat cushion and the back shell can be removed.

⚠️ WARNING!

Risk of injury – the backrest must be secured/held before releasing it.

To get the backrest back into the upright position, fold the backrest up and fit the splint.

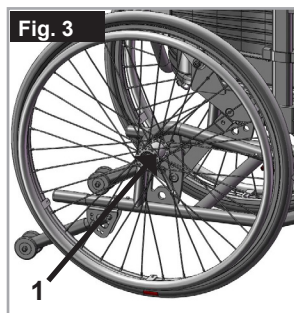


⚠️ DANGER!

- Risk of injury – you must make sure that the backrest is correctly secured!
- Make sure that the back shell is locked in place correctly.

QUICK-RELEASE AXLES ON REAR WHEEL

The rear wheels are equipped with quick-release axles. The wheels can thus be fitted or removed without using tools. To remove a wheel, simply depress the quick-release button on the axle (1) and pull the wheel off the axle (Fig. 3).



⚠️ CAUTION!

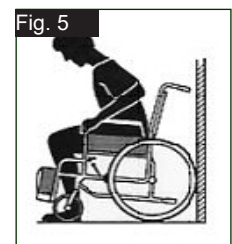
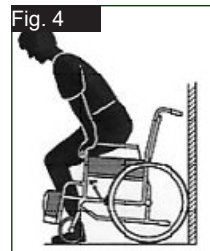
Hold the quick-release button on the axle depressed when inserting the axle into the frame to mount the rear wheels. Release the button to lock the wheel in place. The quick-release button should snap back to its original position.

GETTING INTO YOUR WHEELCHAIR INDEPENDENTLY (Fig. 4)

- The wheelchair should be pushed up against a wall or solid piece of furniture;
- The wheel locks should be on;
- The footplates should be hinged up;
- The user can then lower himself into the chair;
- The footplates should then be pushed down and the feet rested on them in front of the heel loops.

GETTING OUT OF YOUR WHEELCHAIR INDEPENDENTLY (Fig. 5)

- The wheel locks should be on;
- The hinged footplates should be hinged up;
- With one hand on each armrest, the person should bend slightly forward to bring the body weight to the front of the seat, and with both feet firmly on the ground, one foot well back, push up into the upright position.



⚠️ WARNING!

- When standing, do not stand on the footplates or the wheelchair will tip up. It is easier and safer to get into your wheelchair if you turn the footplates up and out of the way or take them off the wheelchair.
- Always engage the wheel locks when transferring in or out of the wheelchair.

Options – Step Tubes

STEP TUBES

Tipping tubes are used by attendants to tip a wheelchair over an obstacle. Simply step on the tube to push a wheelchair, for example, over a kerb or step, (Fig. 6).



⚠️ CAUTION!

Sunrise Medical strongly recommends the use of a step tube on transit wheeled models and also on any model where attendant use is the predominant intended use, as damage to the backposts may occur if you pull back on them to tip the wheelchair, in order to overcome obstacles.

Options - Wheel locks

WHEEL LOCKS

Your wheelchair is equipped with two wheel locks. They are applied directly against the tyres. To engage, press both brake levers forward against the stops. To release the locks, pull the levers back to their original positions.

Braking power will decrease with:

- Worn tyre tread
- Tyre pressure that is too low
- Wet tyres
- Improperly adjusted wheel locks

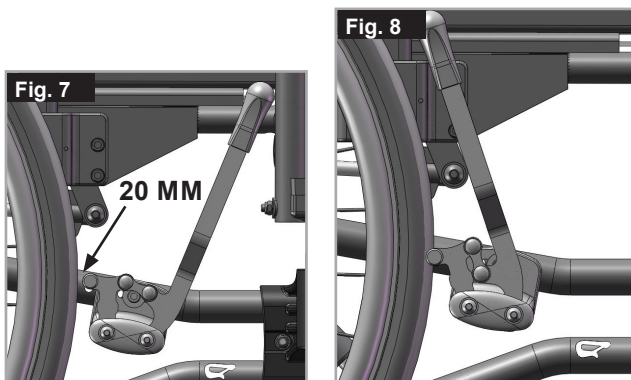
The wheel locks have not been designed to be used as wheel locks for a moving wheelchair. The wheel locks should therefore never be used to brake a moving wheelchair. Always use the hand-rims for braking. Make sure that the gap between the tyres and wheel locks complies with given specifications. To readjust, loosen the screw and set the appropriate gap. Then re-tighten the screw, (Fig. 7-8).

⚠ CAUTION!

After each adjustment of the rear wheels, check the wheel lock gap and re-adjust if necessary.

Mounting the wheel lock too close towards the wheel will result in a higher effort to operate. This might cause the brake lever extension to break!

Leaning onto the brake lever extension while transferring will cause the lever to break! Splashing water from tyres might cause the wheel lock to malfunction.



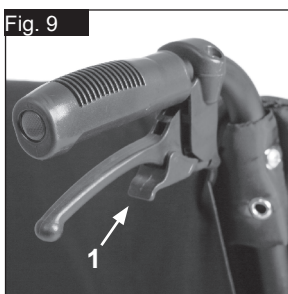
DRUM BRAKES

Drum Brakes permit safe and convenient braking for an attendant.

They can also be set with the aid of a locking lever (1) to prevent rolling.

The lever must snap audibly into place.

Drum Brakes are not influenced by air pressure inside the tyres (Fig.9).



⚠ WARNING!

- Drum Brakes must only be adjusted by authorised dealers.
- Always operate the two Drum Brakes simultaneously to guarantee the control of the driving direction!
- Drum Brakes can only be used as a dynamic brake to stop the wheelchair while driving.
- Always engage the wheel locks to secure the wheelchair during a short or long stop, or for transfer.

Options - Footplates

FOOTPLATES:

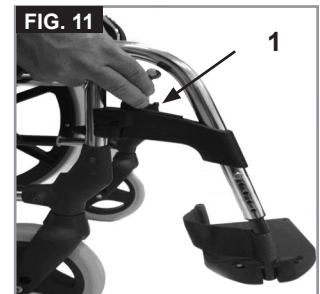
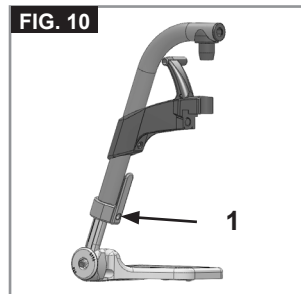
The footplates can be flipped up to make it easier to transfer to/from the chair.

LOWER LEG LENGTH:

For users with longer legs, the leg support can be lowered to the appropriate level by using the screws (1). Loosen the screws, push the tubes to the desired position and then re-tighten the screws (see section on torque). There must always be a minimum gap of 2.5 cm between the footplates and the ground, (Fig.10).

FOOTRESTS AND LATCH

The legrests can be swung inwards under the seat sling or outwards. When fitting the legrests, the footrests must be pointing inwards or outwards. Then rotate the legrest inwards, until it locks into place. To remove, pull the lever (1), swing the footplate inwards or outwards and then lift the legrest out. Make sure that the legrest is locked into place correctly, (Fig 11).



⚠ CAUTION!

- The legrests must not be used to lift or to carry the wheelchair.
- When getting into or off the wheelchair, do not use the footboards. These should be flipped up beforehand or the footrest should be swung to the outside as far as possible.

Options - Amputee Support

AMPUTEE SUPPORT

(Fig. 12).

The Amputee Support can be adjusted in every direction as required.



FIG. 12

Options - Elevating Leg Rests

OPTION ELEVATING LEGREST

(Fig 13-15)

To remove, pull the lever (1), swing the footplate outwards and then lift the legrest out.

HEIGHT ADJUSTMENT:

The lower leg length can be adjusted infinitely by releasing the screw (2). Adjust the suitable height and tighten the screw again.

CAUTION!

The distance between the footplate and the ground must be at least 40 mm.

ANGLE ADJUSTMENT:

Press the lever (3) downward with one hand while supporting the legrest with the other hand to take the load off. When a suitable angle is achieved, let go of the lever and the legrest will lock into one of the preset positions.

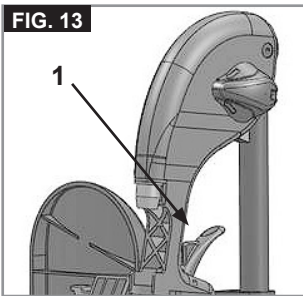


FIG. 13

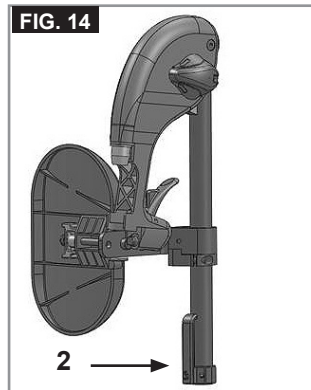


FIG. 14

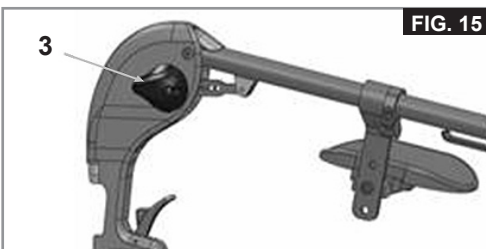


FIG. 15

ADJUSTING THE CALF PAD

(Fig 16).

The calf pad can be adjusted as follows:

Height: Open bolt (4) and move the clamping piece to the desired position. By rotating the clamping piece also the angle can be adjusted.

Depth: Open bolt (5) and move the calf pad into the desired position.

Width: Open bolt (5) and position the spacers (6) behind the pad, to get the desired position.

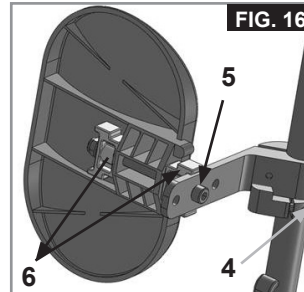


FIG. 16

WARNING!

- Keep hands clear of the adjustable mechanism between the frame and the movable parts of the foot rest, while elevating or lowering the footrest.
- Always make sure that the fasteners are secure.
- The foot rests must not be used to lift or to carry the wheelchair.
- Risk of trapping fingers! When moving the foot rest up or down, do not put your fingers in the adjusting mechanism between the moving parts of the foot rest.

Options - Castors

CASTORS, CASTOR PLATES, FORKS

The wheelchair may veer slightly to the right or left, or the castors may wobble. This may be caused by the following:

- Forward and/or reverse wheel motion has not been set properly.
- The castor angle has not been set correctly.
- Castor and/or rear wheel air pressure is incorrect; the wheels do not turn smoothly.
- The wheelchair will not move in a straight line if the castors have not been properly adjusted.

WARNING!

- Castors should always be adjusted by an authorised dealer.
- The wheel locks must be checked every time the rear wheel position has been altered.

Options – Castor adapter

SEAT HEIGHT ADJUSTMENTS:

The seat height is determined by the castor and rear wheel position. The seat height can be adjusted by using different sizes of rear wheels and by altering the position of the rear wheels and the castors and by using spacers.

⚠ CAUTION!

- After adjusting the seat height, all screws must be re-tightened.
- The castor angle should be set at 90°.
- Therefore the front and rear seat height needs to be always the same.

Options - Backrest

COMFORT BACK

(Fig. 17 to 19).

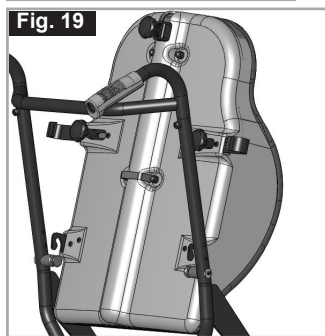
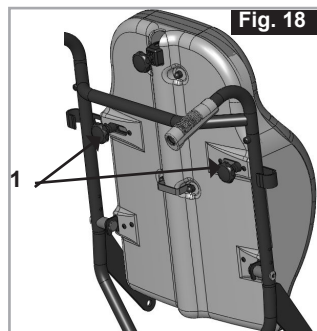
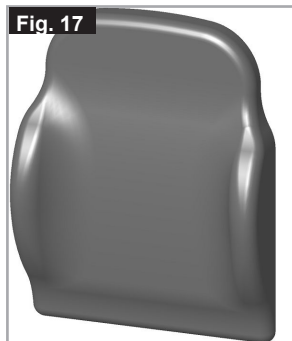
The comfort back offers lateral support and comfortable seating over long periods of time.

The back shell can be removed by turning the knobs (1) and pushing them outwards. By moving the back shell forward-upward it will be released from the guiding hooks.

The cushion is fixed by velcro and can be removed as well.

⚠ WARNING!

When fixing the back make sure that the shell is properly attached to the guiding hooks and locked correctly.



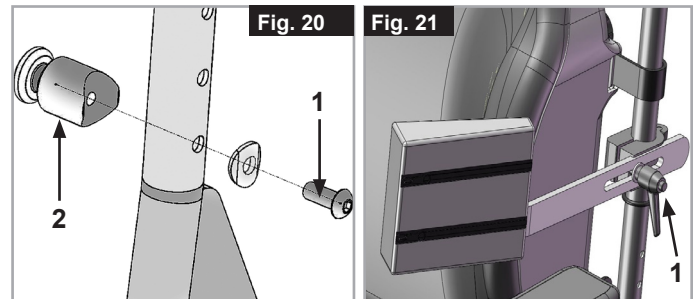
Options - Backrest

HEIGHT-ADJUSTABLE BACKREST

The height of the backrest can be set to 4 different positions. Release and remove the bolts (1), and move the guiding hooks (2) to the desired position. Tighten up the bolts again, (Fig. 20).

TRUNK SUPPORT

The trunk support can be adjusted in angle, depth and height. It can be swung away by turning the release lever (1). (Fig.21)



RECLINING BACK (0° - 35°)

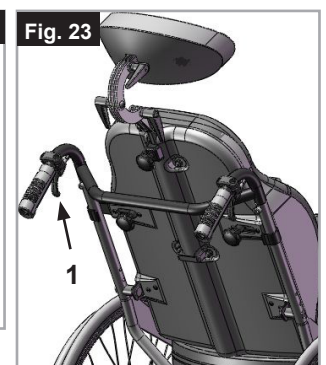
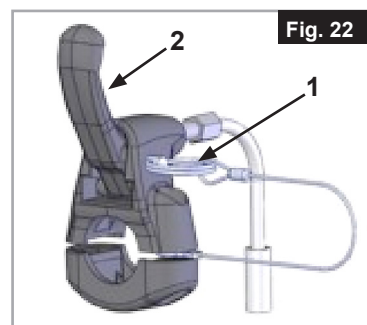
⚠ CAUTION!

Before operation please remove the locking pin (1), (Fig.22).

By pulling lever (2), you can release the backrest and then move it to the desired position. On releasing the lever (1) the backrest will automatically lock into place (Fig. 23).

⚠ WARNING!

- It is recommended that the reclining back is used in conjunction with anti-tip tubes (maximum ground clearance 3 – 5 cm).
- Never adjust the back angle if the wheelchair is on a slope.
- Ensure the locking pin is put back in place.



Options - sideguard

HEIGHT.ADJUSTABLE ARNRESTS

To adjust the height, pull the lever (1) and push the armrest to the desired height. Afterwards make sure that the lever (1) locks back into position. To remove the sideguard completely, push the lever (2). When fitting the sideguard, the lever (2) must also be pushed. Always make sure that the sideguard locks into position correctly in the receiver. (Fig.24).

WARNING!

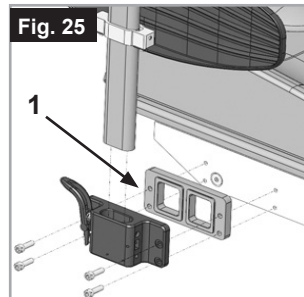
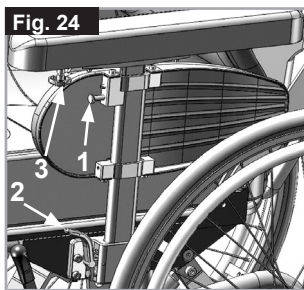
There is a danger of trapping your fingers when you adjusting the armrest height.

The armpad position can be altered by opening the star knob (3) and moving the pad into the desired position, (Fig.24).

Make sure that the star knob is tightened correctly!
To increase the seat width by 2 cm the inner pad can be removed and/or 2 spacers (1) added (Fig.25).

CAUTION!

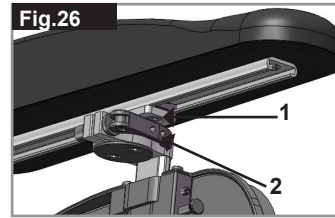
When spacing out the armrest the rear wheel must be moved out too (Fig.25).



Options – Hemiplegic armrest

HEMIPLEGIC ARMREST

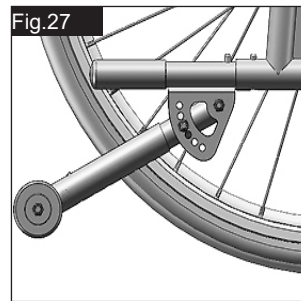
The hemiplegic armrest can be adjusted both in length and angle. You can adjust the length by pushing the armrest after having loosened the 2 rotary screws (1). To adjust the angle, open the release lever (2) and rotate the armrest to the desired position, then tighten it again (Fig. 26).



Options – Anti-Tip Tubes

ANTI-TIP TUBES

Anti-tip tubes provide additional safety for inexperienced users when they are still learning how to operate their wheelchair. They prevent a wheelchair from tipping over backwards. The anti tip tube should be inserted into the frame tube until the first of the two spring buttons enters the first hole in the frame tube, (Fig.27).



WARNING!

Incorrect setup of the anti-tips will increase the risk of a rearwards tip. You must swing the anti-tips upwards when going up or down large obstacles, (such as a kerb), to prevent them from touching the ground, then rotate them back down to the normal position.

NOTE: Do not insert both buttons of the anti tip tube into the frame tube as this could damage the anti Tipp and cause a loss of effectiveness. By pushing on the Second exposed release button, the safety wheels can be set upwards or removed. There must always be a gap of between 3 cm and 5 cm between the tube and the ground. You must swing the safety wheels upwards when going up and down large obstacles (such as a kerb) to prevent them from touching the ground. Then rotate the safety wheels back down to the normal position (Fig. 27).

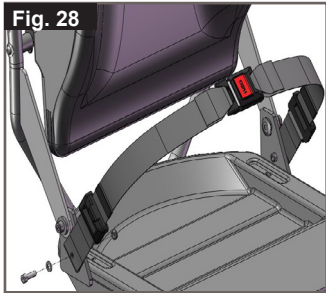
Options – Lap belt

LAP BELT



Before using your wheelchair ensure the seat belt is worn and correctly adjusted before use.

The lap belt is fitted to the wheelchair as shown in the illustrations. The seat belt comprises 2 halves. They are fitted using the existing seat stay retaining bolt fitted through the eyelet on the belt. The belt is routed under the rear of the side panel. (Fig. 28).



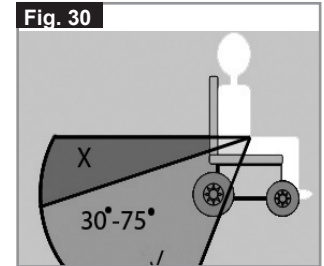
Adjust the belt position so buckles are in the centre of the seat.

Adjust lap belt to suit the user's needs as follows:

To increase the belt length	To reduce the belt length	
Feed free belt through slide adjusters and male buckle to provide more belt length.	Feed free belt back through male buckle and slide adjusters.	Ensure belt is not looped at male buckle.

When fastened check space between the lap belt and user, when correctly adjusted it should not be possible to insert more than the flat of the hand between the lap belt and the user. (Fig. 29)

Generally the Lap Belt should be fixed so that the straps sit at an angle of approximately 45°, and when correctly adjusted should not allow user to slip down in the seat. (Fig. 30).



To fasten buckle: Firmly push male buckle into female buckle.	To release belt: Press exposed sides of male buckle and push towards centre / push the press button of the female buckle whilst gently pulling apart.

ADVICE TO CLIENT



- Do not rely on the lap belt only when the wheelchair and occupant are transported in a vehicle, use the separate occupant lap and diagonal restraints provided in the vehicle.
- Before use we recommend that the lap belt be checked to ensure that it is adjusted correctly, free from any obstruction or adverse wear and that the buckle engages securely.
- Failure to make sure that the lap belt is secure and adjusted prior to use could cause serious injury to the user. e.g. too loose a strap may allow the user to slip down in the chair and risk suffocation.

MAINTENANCE:

Check lap belt and securing components at regular intervals for any sign of fraying or damage. Replace if necessary. Clean the lap belt with warm soapy water and allow it to dry.

⚠ DANGER!

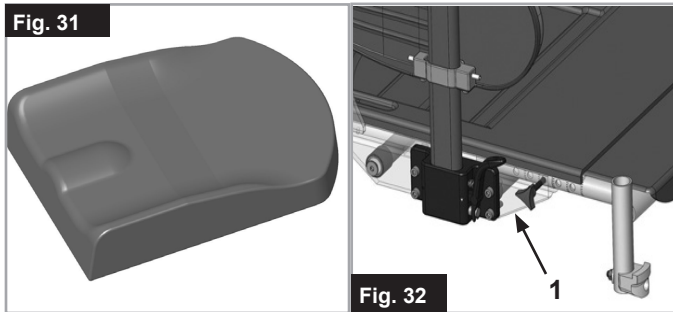
- The lap belt should be adjusted to suit the end user as detailed above Sunrise Medical also recommend that the length and fit of the belt is checked on a regular basis to reduce the risk of the end user inadvertently re-adjusting the belt to an excessive length.
- If in doubt about the use and operation of the seat belt then ask your healthcare professional, wheelchair dealer,

Options - Seat**COMFORT SEAT (FIG. 31).**

The comfort seat is an anatomically shaped cushion and offers comfortable seating over a long period of time. The cushion is held by Velcro and can also be removed. The cover can be washed (see the instructions on the cushion).

SEAT DEPTH (FIG. 32).

After loosening the star knobs (1) on both sides, the seat depth can be adjusted in 1 cm increments. These are indicated by the marks on the seat tube and the label on the seat plate. Set to the desired position and tighten both star knobs.

**⚠ CAUTION!**

- The maximum seat depth (see marking and endstop) must not be exceeded.
- Ensure the star knobs are always aligned with a matching hole and firmly tightened.

SEAT WIDTH ADJUSTMENT

You can extend the width of the seat of your wheelchair by removing the inner pads or add spacers (see option side guard)

ADJUSTABLE SEAT ANGLE (0°-25° / -3 -22°)

Before operation please remove the locking pin, (1) (Fig.33).

By pulling the lever (2) the seat is released and can be put into the desired position, (Fig.34). When you let go, the seat is automatically fixed in the new position.

⚠ DANGER!

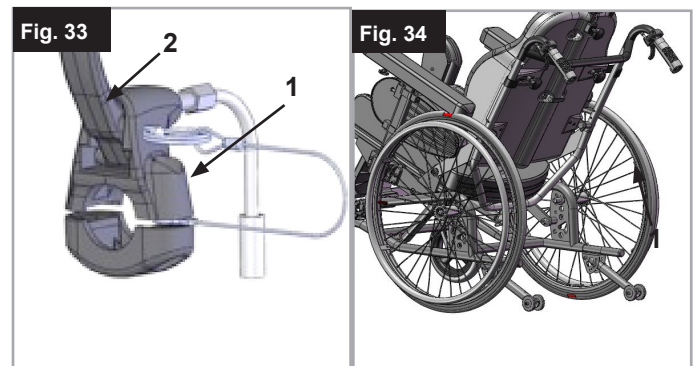
- Never adjust the seat angle if the wheelchair is on a slope.
- The angle-adjustable seat may only be used with anti-tip tubes.

⚠ WARNING!

There is a danger of trapping your fingers when you adjusting the seat.

⚠ CAUTION!

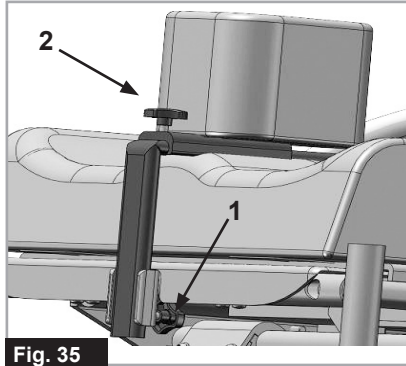
To ensure the correct function of the cables, these must never be taut.



Options - Abduction

ABDUCTION

By loosening the screw (1) the abduction wedge can be adjusted height-wise and by loosening the screws (2) it can be adjusted depth-wise or removed, (Fig.35).



Options – Push handles

HEIGHT-ADJUSTABLE PUSH HANDLES

By loosening the Star Knobs (1) you can adjust the push handles to a height which suits you. After any adjustment to the height of the push handles, ensure the Star Knobs (1) are tightened, (Fig. 36).



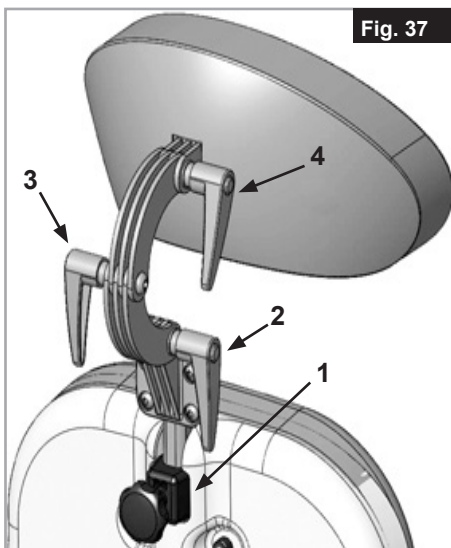
⚠ DANGER!

If the Star Knobs are not secure, injuries could result when lifting over obstacles.

Options – Headrests

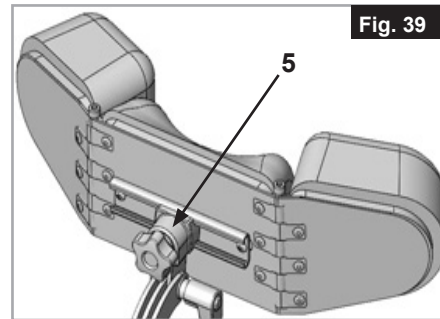
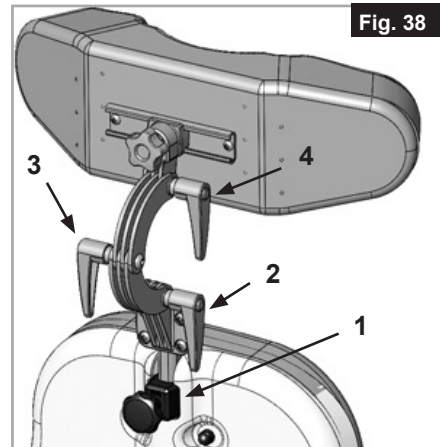
COMFORT HEADREST

The headrest can be raised, (1) and moved both forwards and backwards, (2-3-4). To do this, simply loosen the relevant release levers, adjust the headrest to the desired position, and tighten them again, (Fig. 37).



3 WING HEADREST

The headrest can be raised, (1) and moved both forwards and backwards, (2-3-4). The centre line of the headrest can also be adjusted, (5). To do this, simply loosen the relevant release levers/knobs, adjust the headrest to the desired position, and tighten them again, (Fig.38-39).

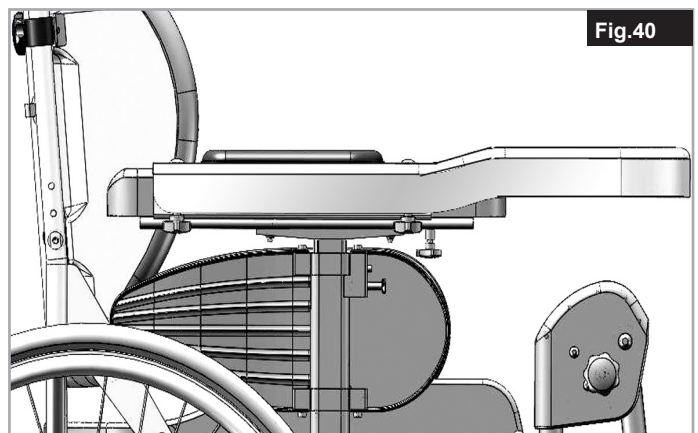


Options – Therapy table

THERAPY TABLE

The tray provides a flat surface for most activities. Before using a tray, it first has to be adjusted to the width of the seat by an authorised dealer.

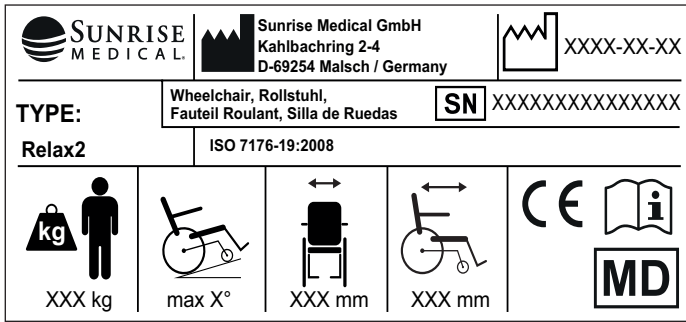
NOTE: The user must be sitting in the wheelchair during this adjustment (Fig. 40).



Name Plate

NAMEPLATES

The nameplate is located on either the cross-tube assembly or the transverse frame tube, as well as on a label in the owner's manual. The nameplate indicates the exact model designation and other technical specifications. Please provide the following pieces of information whenever you have to order replacement parts or to file a claim:



Relax2	Product Name/SKU Number.
	Maximum safe slope with anti-tip tubes fitted, Depends on wheelchair setting, posture and physical capabilities of the user.
	Seat width.
	Seat depth.
	Load Maximum.
	CE Mark.
	User's Guide.
	XXXX-XX-XX Date of manufacture.
	Serial number.
	This symbol means Medical Device.
	Manufacturer's address.
ISO 7176-19:2008	Crash tested according to ISO 7176-19:2008.

Due to our policy of continuous improvement in the design of our wheelchairs, product specifications may vary slightly from the examples illustrated. All weight/dimensions and performance data are approximate and provided solely for guidance. Sunrise Medical complies with the Medical Device Regulation (EU) 2017/745.

CE All wheelchairs must be used in accordance with the manufacturer's guidelines.

Sunrise Medical
Thorns Road
Brierley Hill
West Midlands
DY5 2LD
England
Phone: 0845 605 66 88
Fax: 0845 605 66 89
www.SunriseMedical.co.uk

Daily Checks

CAUTION!

As the user, you are the first person to notice any possible defects. We therefore recommend that before each use, you check the items in the following list:

- Check for correct tyre pressures
- Check that the wheel locks work correctly
- Check that all removable parts are secure, e.g. armrest, footrest, quick-release axle etc.
- Check for visible damage e.g. on the frame, backrest, seat sling and back sling, wheels, footplate etc
- If there is any damage or malfunction, please contact your authorised dealer.

Tyres and Mounting

TYRES AND MOUNTING

Solid tyres are fitted as standard from the factory.

If pneumatic tyres are used, make sure that you maintain the correct tyre pressure, as this can have an effect on wheelchair performance. If the tyre pressure is too low, rolling resistance will increase, requiring more effort to move the chair forward. Low tyre pressure also has a negative impact on manoeuvrability. If the tyre pressure is too high, the tyre could burst. The correct pressure for a given tyre is printed on the surface of the tyre itself, (Max 3.5 bar).

Tyres can be mounted the same way as an ordinary bicycle tyre. Before installing a new inner tube, you should always make sure that the base of the rim and the interior of the tyre are free of foreign objects. Check the pressure after mounting or repairing a tyre. It is critical to your safety and to the wheelchair's performance that regulation air pressure be maintained and that tyres be in good condition.

Maintenance and Care

MAINTENANCE

- Check the tyre pressure every 4 weeks. Check all tyres for wear and damage.
- Check the wheel locks approximately every 4 weeks to make sure that they are working properly and are easy to use.
- Change tyres as you would an ordinary bicycle tyre.
- All of the joints that are critical to using your wheelchair safely are self-locking nuts.
- Please check every three months to make sure that all bolts are secure (see the section on torque).
- Safety nuts should only be used once and should be replaced after use.
- Please use only mild household cleansers when your wheelchair is dirty. Use only soap and water when cleaning the seat upholstery and lap belt.
- If your wheelchair should ever get wet, please dry it after use, to avoid rust and salt corrosion.
- A small amount of sewing-machine oil should be applied to quick release axles approximately every 8 weeks. Depending on the frequency and type of use, we recommend taking your wheelchair to your authorised dealer every 12 months to have it inspected by trained personnel.

CAUTION!

Sand and sea water (or salt in the winter) can damage the bearings of the front and rear wheels. Clean the wheelchair thoroughly after exposure.

The following parts can be removed and sent to the manufacturer / dealer for repair:

Rear wheels, Armrest, Hanger, Anti – tips. These components are available as spares. More details can be found in the parts manual.

HYGIENE WHEN BEING REUSED:

When the chair is to be reused, it should be prepared carefully, and wiped and treated with spray disinfectant on all surfaces which could come into contact with the user.

In doing this, you must use a liquid for alcoholic quick disinfection for medical products and medical inventory when you require a quick effect. Please pay attention to the manufacturer's instructions of the disinfectant you are using.

In general, a safe disinfectant cannot be guaranteed on seams. We therefore recommend, that you properly dispose of seat and back slings in the case of micro bacterial contamination with active agents according to § 6 infection protection law.

STORAGE

Please store/keep the wheelchair in a dry place.

Trouble shooting

WHEELCHAIR PULLS TO ONE SIDE

- Check tyre pressure (pneumatic tyres only)
- Check to make sure wheel turns easily (bearings, axle)
- Check the castor angles are set consistently and make proper contact with the ground
- Ensure castor fork bearings rotate freely

CASTORS BEGIN TO WOBBLE

- Check the castor angle
- Check to make sure all bolts are secure; tighten if necessary (see the section on torque)
- Check to make sure both castors are making proper contact with the ground

WHEELCHAIR SQUEAKS AND RATTLES

- Check to make sure all bolts are secure; tighten if necessary (see the section on torque)
- Apply small amount of lubrication to spots where movable parts come in contact with one another

WHEELCHAIR BEGINS TO WOBBLE

- Check angle at which castors are set
- Check tyre pressure
- Check to see if rear wheels are adjusted differentl

DAMPENERS AND CABLES



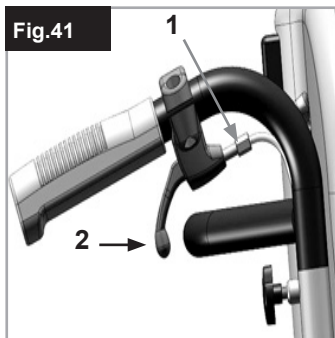
In order to avoid any reduction in function, you must make sure that the cables are never set too taut.

PROBLEM:

Play in the lever

SOLUTION:

Loosen the adjustment screw (1) until the lever (2) has no play, (Fig.41).



SEAT ANGLE SETTING

PROBLEM:

The seat moves out of position, without the use of the dampener release

CAUSE:

The Bowden cables on the buffer are stretched too tightly.

SOLUTION:

Set the Bowden cables on the adjustment screw(1)



Protect the Bowden cable from damage (buckling). Should it be buckled, then it must be replaced.

Disposal / Recycling of Materials

NOTE: If the wheelchair has been supplied to you free of charge it may not belong to you. If it is no longer required follow any instructions given by the organisation issuing the wheelchair in order that it may be returned to them.

The following information describes the materials used in the wheelchair in relation to the disposal or re-cycling of the wheelchair and its packaging. Specific waste disposal or recycling regulations may be in force locally and these should be taken into consideration when disposal arrangements are made. (This may include the cleaning or decontamination of the wheelchair before disposal).

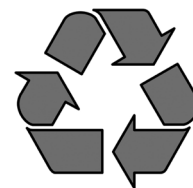
Steel: Fasteners, QR axle, side frames, armrests, frame, leg rests, push handles.

Plastic: Hand grips, castor forks, tube plugs, castor wheels, footplates, arm pads and 12" wheel/tyre, wheels, side guards.

Packaging: Low density polythene bag, cardboard box.

Upholstery: Woven polyester with PVC coatings and expanded combustion modified foam.

Disposal or recycling should be done through a licensed agent or authorised place of disposal. Alternatively your wheelchair may be returned to your dealer for disposal.



Vorwort

Sehr geehrter Kunde,


Wir freuen uns sehr, dass Sie ein Spitzenqualitätsprodukt von SUNRISE MEDICAL gewählt haben.

Dieses Handbuch vermittelt Ihnen zahlreiche Tipps und Ideen, damit Ihr neuer Rollstuhl ein vertrauter und zuverlässiger Partner im Leben werden kann.

Eine gute Beziehung zu unseren Kunden ist für Sunrise Medical sehr wichtig. Wir möchten Sie gerne über unsere neuen und aktuellen Entwicklungen auf dem Laufenden halten. Kundennähe bedeutet: schneller Service, so wenig Bürokratie wie möglich, enge Zusammenarbeit mit unseren Kunden. Wenn Sie Ersatzteile oder Zubehör brauchen oder einfach eine Frage zu Ihrem Sitzschalenuntergestell haben – wir sind für Sie da.

Wir möchten, dass Sie mit unseren Produkten und unserem Service zufrieden sind. Wir von Sunrise Medical arbeiten daher ständig an der Weiterentwicklung unserer Produkte. Aus diesem Grund können in unserer Produktreihe Änderungen in der Form, Technologie und Ausstattung vorkommen. Es können also aus den Angaben und Abbildungen in diesem Handbuch keine Ansprüche abgeleitet werden.

Das Managementsystem von SUNRISE MEDICAL ist zertifiziert nach DIN EN ISO 9001, ISO 13485 und ISO 14001.

 SUNRISE MEDICAL erklärt als Hersteller, dass die Leichtgewichtrollstühle mit der Medizinprodukteverordnung (2017/745) der EU konform sind.

HINWEIS:

Allgemeine Empfehlungen für den Benutzer.

Wenn diese Anweisungen nicht beachtet werden, kann das zu Körperverletzung, Beschädigung des Produkts oder Umweltschäden führen!

Einen Hinweis an den Anwender und/oder den Patienten, dass alle im Zusammenhang mit dem Produkt aufgetretenen schwerwiegenden Vorfälle dem Hersteller und der zuständigen Behörde des Mitgliedstaats, in dem der Anwender und/oder der Patient niedergelassen ist, zu melden sind.

FMG (Für Mich Gebaut) Sonderbauten

Sunrise Medical empfiehlt dringend, alle Informationen für den Benutzer, die mit Ihrem FMG-Produkt mitgeliefert werden, vor dem erstmaligen Gebrauch sorgfältig durchzulesen und sicherzustellen, dass alles verstanden wurde. Dadurch wird gewährleistet, dass Ihr FMG-Produkt wie vom Hersteller vorgesehen funktioniert.

Sunrise Medical empfiehlt die Benutzerinformationen und Dokumente für einen späteren Gebrauch sicher aufzubewahren und nicht zu entsorgen.

Kombinationen von Medizinprodukten

Dieses Medizinprodukt kann unter Umständen mit einem oder mehreren anderen Medizinprodukten bzw. anderen Produkten kombiniert werden. Informationen darüber, welche Kombinationen möglich sind, finden Sie unter www.Sunrisemedical.de. Alle aufgeführten Kombinationen wurden überprüft, um die grundlegenden Sicherheits- und Leistungsanforderungen gemäß Anhang I Nr. 14.1 der EU-Verordnung 2017/745 über Medizinprodukte zu erfüllen.

Leitlinien zum Kombinieren wie etwa die Montage finden Sie unter www.SunriseMedical.de

Fragen zum Gebrauch, zur Wartung und Sicherheit Ihres Sitzschalenuntergestells richten Sie bitte an den zuständigen, zugelassenen SUNRISE MEDICAL Fachhändler.

Falls sich kein zuständiger Fachhändler in Ihrer Nähe befindet oder falls Sie Fragen haben, können Sie Sunrise Medical auch schriftlich oder telefonisch erreichen.

Sunrise Medical GmbH
Kahlbachring 2-4
69245 Malsch/HD
Heidelberg
Deutschland
Telefon: +49 7253 980-0
Fax: +49 7253 980-222
www.sunrisemedical.de



WICHTIG:

BENUTZEN SIE IHREN ROLLSTUHL ERST, WENN SIE DIESES HANDBUCH VOLLSTÄNDIG GELESEN UND VERSTANDEN HABEN.

Verwendung

Rollstühle sind ausschließlich für Anwender bestimmt, die nicht laufen können oder deren Bewegungsfähigkeit eingeschränkt ist, zur persönlichen Nutzung Zuhause oder Draußen, bei Antrieb aus eigener Kraft oder durch einen Dritten (von einer Begleitperson).

Das Höchstgewicht (das Körpergewicht des Benutzers und das Gewicht des Rollstuhls inkl. angebauten Zubehör) ist auf dem Etikett mit der Seriennummer angegeben, das an der Querstange oder an der Stabilisierungsstange unter dem Sitz angebracht ist.

Eine Garantie kann nur übernommen werden, wenn das Produkt unter den vorgegebenen Bedingungen und zu den vorgesehenen Zwecken eingesetzt wird. Die vorgesehene Lebensdauer des Rollstuhls beträgt 5 Jahre. KEINE NICHT GENORMTE TEILE, außer den offiziell von Sunrise Medical genehmigten, dürfen eingebaut werden.

Verwendungszweck.

Indikationen

Die Vielfalt an Ausstattungsvarianten sowie die modulare Bauweise erlauben einen Einsatz bei Gehunfähigkeit/ Gehbehinderung durch:

- Lähmung
- Gliedmaßenverlust (Beinamputation)
- Gliedmaßendefekt/Deformation
- Gelenkkontrakturen/-schäden
- Erkrankungen wie Herz- und Kreislaufinsuffizienz, Gleichgewichtsstörungen oder Kachexie, neurologische Krankheitsbilder, Muskeldystrophie, Hemiplegie sowie für Geriatriker mit noch verwendbaren Restkräften der oberen Gliedmaßen.

Kontraindikationen

Der Rollstuhl darf in folgenden Fällen nicht oder nur mit einer Begleitperson benutzt werden:

- Wahrnehmungsstörung
- Ungleichgewicht
- Verlust beider Arme, wenn keine Unterstützung durch eine Pflegeperson erfolgt
- Gelenkkontraktur oder Gelenkschäden an beiden Armen
- Sitzbehinderung





Beachten Sie bei der Versorgung außerdem auf Körpergröße, Gewicht, physische und psychische Verfassung, Alter des Behinderten, Wohnverhältnisse und Umwelt.

Inhaltsverzeichnis

Inhaltsverzeichnis	26
Allgemeine Sicherheitshinweise und Fahrbeschränkungen	27
Warranty	29
Transport	30
Handhabung	32
Optionen – Ankippbügel	32
Optionen - Feststellbremsen	32
Optionen - Fußplatten	33
Optionen - Amputationsauflage	34
Optionen - Höhenverstellbare Fußrasten	34
Optionen - Lenkräder	34
Optionen – Lenkrad-Adapter	35
Optionen - Rücken	35
Optionen – Seitenteil	36
Optionen – Hemi-Armauflage	36
Optionen - Sicherheitsräder	36
Optionen – Beckengurt	37
Optionen – Sitz	38
Optionen – Abduktion	39
Optionen - Schiebegriffe	39
Optionen – Kopfstütze	39
Optionen - Therapietisch	39
Typenschild	40
Tägliche Überprüfungen	40
Reifen und Montage	41
Wartung und Pflege	41
Fehlersuche	42
Entsorgung / Recycling von Materialien	42

Definitionen

3.1 In dieser Anweisung verwendete Begriffsdefinitionen

Wort	Definition
 GEFAHR!	Anweisung an den Benutzer, dass ein potentielles Verletzungsrisiko besteht, wenn der Anweisung nicht entsprochen wird
 WARNUNG!	Anweisung an den Benutzer, dass ein Verletzungsrisiko besteht, wenn der Anweisung nicht entsprochen wird.
 VORSICHT!	Hinweis an den Benutzer, dass ein möglicher Sachschaden am Rollstuhl auftreten kann, wenn der Anweisung nicht entsprochen wird
HINWEIS:	Allgemeine Empfehlung oder Optimales Verfahren
	Bezugnahme auf weitere Dokumente

HINWEIS:

Die Rollstühle, die in diesem Handbuch abgebildet und beschrieben sind, entsprechen möglicherweise nicht in allen Einzelheiten genau Ihrem eigenen Modell. Dennoch sind alle Anweisungen trotz möglicher Detailunterschiede völlig relevant. Der Hersteller behält sich das Recht vor, Gewichte, Abmessungen oder andere in diesem Handbuch aufgeführte technische Daten ohne vorherige Benachrichtigung zu ändern. Alle in diesem Handbuch aufgeführten Zahlenangaben, Abmessungen und Kapazitäten sind ungefähr und stellen keine präzisen technischen Daten dar.

HINWEIS:

Bitte notieren Sie die Adresse und Telefonnummer Ihrer zuständigen Servicestelle in dem unten vorgesehenen Feld. Benachrichtigen Sie ihn im Fall einer Panne, und versuchen Sie, alle relevanten Einzelheiten anzugeben, damit Ihnen rasch geholfen werden kann.

Unterschrift und Stempel des Fachhändlers

Allgemeine Sicherheitshinweise und Fahrbeschränkungen

Technik und Bauweise dieses Rollstuhls sind für die maximale Sicherheit entworfen. Die aktuell gültigen internationalen Sicherheitsstandards wurden erfüllt oder teilweise überschritten. Dennoch kann sich der Benutzer einem Risiko aussetzen, wenn er das Sitzschalenuntergestell nicht vorschriftsmäßig handhabt. Beachten Sie zu Ihrer eigenen Sicherheit bitte unbedingt die nachstehenden Regeln.

Unfachmännische oder fehlerhafte Änderungen oder Einstellungen erhöhen das Unfallrisiko. Als Rollstuhlfahrer sind Sie auch Verkehrsteilnehmer und Passant auf Straßen und Gehwegen. Wir möchten Sie daran erinnern, dass für Sie als Rollstuhlfahrer alle Verkehrsregeln gelten.

Seien Sie auf Ihrer ersten Fahrt im Sitzschalenuntergestell besonders vorsichtig. Lernen Sie Ihren Stuhl kennen.

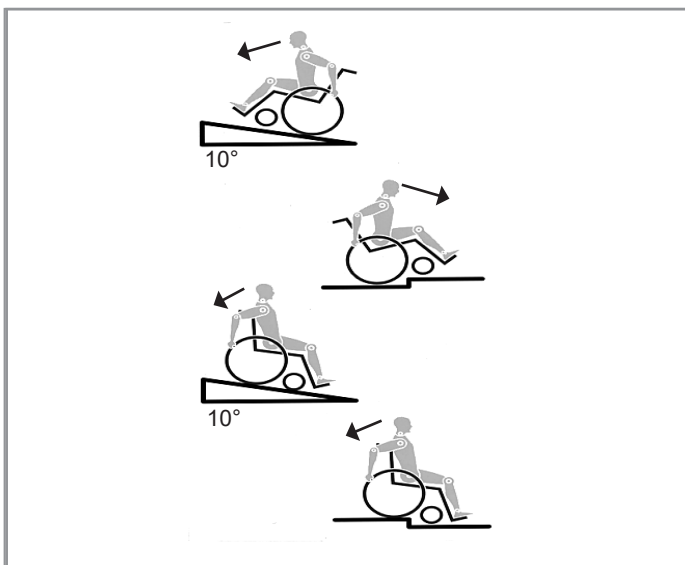
Überprüfen Sie Folgendes vor jedem Gebrauch:

- Starrachsen oder Steckachsen an den Hinterrädern.
- Klettverschluss am Sitz und an der Rückenlehne
- Reifen, Reifendruck und Feststellbremsen.

Sollten irgendwelche Veränderungen an den Einstellungen vorgenommen werden, ist es wichtig, den entsprechenden Abschnitt der Gebrauchsanweisung zu lesen. Besonders beim Befahren von Steigungen oder Gefällen können Schlaglöcher oder unebener Untergrund den Rollstuhl zum Kippen bringen. Wird eine Stufe oder ein Anstieg vorwärts befahren, sollte der Körper nach vorne geneigt sein.

⚠️ GEFAHR!

- Überschreiten Sie NIEMALS die Höchstlast von 145 kg, (XL=170 kg), für den Fahrer plus mitgeführte Gegenstände. Das Überschreiten der maximalen Zuladung kann zu Schäden am Stuhl, zu Fallen oder Kippen aus dem Rollstuhl, Verlust der Kontrolle oder zu schweren Verletzungen des Fahrers und anderer Personen führen.
- Tragen Sie im Dunklen möglichst helle Kleidung oder Kleidung mit Reflektoren, um besser gesehen werden zu können. Achten Sie darauf, dass die seitlich und rückwärtig am Sitzschalenuntergestell angebrachten Reflektoren gut sichtbar sind.
- Wir empfehlen Ihnen auch das Anbringen einer aktiven Beleuchtung.
- Um Stürze und gefährliche Situationen zu vermeiden, sollten Sie den Umgang mit Ihrem neuen Rollstuhl erst auf ebenem, überschaubarem Gelände üben.
- Benutzen Sie zum Ein- oder Aussteigen aus dem Rollstuhl nicht die Fußbretter.
- Diese sollten vorher hochgeklappt und möglichst nach außen weggeschwenkt werden. Begeben Sie sich immer so nah wie möglich an die Stelle, an der Sie umsteigen möchten.
- Lassen Sie bei der Benutzung des Rollstuhls immer Vorsicht walten. Vermeiden Sie z.B. ein ungebremstes Fahren gegen ein Hindernis (Stufen, Bordsteinkante) oder Herunterfahren von Kanten.



- Die Feststellbremsen sind nicht dazu gedacht, Ihren Rollstuhl während der Fahrt zu bremsen. Sie sichern den Rollstuhl gegen das Wegrollen. Wenn Sie auf ebenem Untergrund anhalten, ziehen Sie immer die Feststellbremse an, damit sich der Rollstuhl nicht plötzlich bewegen kann. Ziehen Sie die Bremsen auf beiden Seiten an, sonst könnte der Stuhl kippen.
- Erforschen Sie die Auswirkungen von Schwerpunktverlagerungen auf das Verhalten des Rollstuhls, zum Beispiel auf Gefällstrecken, Steigungen, sämtlichen Neigungen oder beim Überwinden von Hindernissen, nur mit sicherer Unterstützung eines Helfers.
- Bei extremen Einstellungen (z.B. Antriebsräder in vorderster Position) und ungünstiger Körperhaltung kann der Rollstuhl bereits auf ebener Fläche kippen.
- Neigen Sie Ihren Oberkörper beim Befahren von Steigungen und Stufen weit nach vorn.
- Lehnen Sie Ihren Oberkörper beim Befahren von Neigungen und Stufen weiter nach hinten. Versuchen Sie keinesfalls, Gefälle diagonal hinauf oder hinunter zu fahren.
- Vermeiden Sie Rolltreppen, da diese bei einem Sturz schwere Verletzungen verursachen können.
- Den Rollstuhl nicht an Gefällen bzw. Steigungen von mehr als 10° verwenden. Die dynamische Stabilität an Gefällen hängt von der Konfiguration des Rollstuhls, den Fertigkeiten und dem Fahrstil des Benutzers ab. Da die Fertigkeiten des Benutzers und der Fahrstil nicht vorherbestimmt werden können, kann der Höchstwert für das sichere Gefälle nicht bestimmt werden. Dieser muss vom Benutzer mit Hilfe einer Begleitperson ermittelt werden, um das Umkippen zu verhindern. Für unerfahrene Benutzer wird der Einbau von Sicherheitsrädern dringend empfohlen.
- Besonders beim Befahren von Steigungen oder Gefällen können Schlaglöcher oder unebener Untergrund den Rollstuhl zum Kippen bringen.
- Den Rollstuhl nicht auf schlammigem oder vereistem Grund verwenden.
- Den Rollstuhl nur dort verwenden, wo auch Fußgänger zugelassen sind.
- Zur Vermeidung von Handverletzungen greifen Sie bei der Fahrt mit dem Rollstuhl nicht zwischen die Speichen oder zwischen das Antriebsrad und die Radbremse.
- Bei Verwendung von Leichtmetallgreifringen kann es beim Abbremsen aus schneller Fahrt oder auf längeren Gefällestrecken zum Erhitzen der Greifringe kommen.
- Treppen dürfen nur mit Hilfe von Begleitpersonen überwunden werden. Sind dafür Einrichtungen wie z.B. Auffahrrampen oder Aufzüge vorhanden, so sind diese zu benutzen. Fehlen solche Einrichtungen, ist der Rollstuhl anzukippen und über die Stufen zu führen (2 Helfer). Wir empfehlen, Benutzer mit einem Körpergewicht über 100 kg nicht auf diese Weise zu transportieren. Generell müssen montierte Sicherheitsräder zuvor so eingestellt werden, dass sie beim Transport nicht auf die Stufen aufsetzen können, da es sonst zu schweren Stürzen kommen kann. Anschließend müssen die Sicherheitsräder wider korrekt eingestellt werden.

⚠️ GEFAHR!

- Achten Sie darauf, dass die Begleitpersonen den Rollstuhl nur an fest montierten Bauteilen anfassen. Keine abnehmbaren Teile (z.B. die Fußrasten oder Seitenteile) dafür verwenden.
- Achten Sie beim Benutzen von Hebebühnen darauf, dass sich montierte Sicherheitsräder außerhalb des Gefahrenbereichs befinden.
- Sichern Sie Ihr Sitzschalenuntergestell auf unebenem Gelände oder beim Umsteigen (z.B. ins Auto) durch Betätigen der Feststellbremse.
- Achten Sie beim Benutzen von Hebebühnen darauf, dass sich montierte Sicherheitsräder außerhalb des Gefahrenbereichs befinden.
- Sichern Sie Ihr Sitzschalenuntergestell auf unebenem Gelände oder beim Umsteigen (z.B. ins Auto) durch Betätigen der Feststellbremse.

- Wenn und wann immer möglich, sollten Fahrzeuginsassen während der Fahrt in einem Behindertentransportkraftwagen (BTW) die im Fahrzeug installierten Sitze und die dazugehörigen Rückhaltesysteme nutzen. Nur so sind Insassen bei einem Unfall optimal geschützt.
- Abhängig von Durchmesser und Einstellung der Lenkräder sowie der Schwerpunkteinstellung des Rollstuhls kann bei höheren Geschwindigkeiten ein Flattern der Lenkräder auftreten. Dies kann zu einem Blockieren der Lenkräder und zum Kippen des Rollstuhls führen. Achten Sie daher auf eine korrekte Einstellung der Lenkräder (siehe Kapitel "Lenkräder").
- Die Verwendung von Sicherheitsrädern ist bei ungeübten Nutzern unbedingt empfehlenswert.
- Die Sicherheitsräder sollen ein unbeabsichtigtes Kippen nach hinten verhindern. Keinesfalls sollen sie die Funktion von Transitzrollen übernehmen, etwa um eine Person bei abgenommenen Antriebsrädern im Rollstuhl zu transportieren.
- Achten Sie beim Ergreifen von Gegenständen (die vor, seitlich oder hinter dem Rollstuhl liegen) darauf, dass Sie sich nicht zu weit aus dem Rollstuhl lehnen, da durch Schwerpunktverlagerung eine Kipp- bzw. Überschlaggefahr besteht. Das Aufhängen von zusätzlichen Lasten (Rucksack oder ähnliche Gegenstände) an die Rückenpfosten Ihres Rollstuhls kann die Stabilität Ihres Rollstuhls nach hinten beeinträchtigen, vor allem, wenn der Rückenwinkel nach hinten verstellt wurde. Der Rollstuhl kann dadurch nach hinten kippen und Verletzungen verursachen.
- Bei Oberschenkelamputation müssen die Sicherheitsräder verwendet werden.
- Achten Sie vor Fahrtantritt auf den korrekten Luftdruck der von Ihnen verwendeten Bereifung. Bei den Antriebsrädern muss er mindestens 3,5 bar (350 kPa) betragen. Der max. Reifendruck ist auf dem Reifen angegeben. Die Kniehebelbremsen sind nur bei ausreichendem Reifendruck und korrekter Einstellung wirksam (siehe Kapitel „Feststellbremse“).
- Sollte die Sitz- und Rückenbespannung beschädigt sein, tauschen Sie diese bitte umgehend aus.
- Vorsicht beim Umgang mit Feuer, insbesondere brennenden Zigaretten. Sitz- und Rückenbespannung könnten sich entzünden.
- Wenn der Rollstuhl längere Zeit direkter Sonneneinstrahlung / niedrigen Temperaturen ausgesetzt war, können Teile des Rollstuhls (z.B. Rahmen, Fußrasten, Feststellbremsen und Seitenteile) sehr heiß (>41°C) bzw. sehr kalt (<0°) werden.
- Achten Sie immer darauf, dass die Steckachsen an den Hinterrädern (falls eingebaut) richtig eingestellt sind und ganz einrasten (Kugellager sind ganz durch die Achsaufnahme sichtbar). Bei nicht gedrücktem Knopf der Steckachse darf sich das Antriebsrad nicht entfernen lassen.

VORSICHT!

- Sowohl die Wirkung der Kniehebelbremse als auch das allgemeine Fahrverhalten sind vom Luftdruck abhängig. Mit korrekt aufgepumpten Antriebsrädern und gleichem Luftdruck auf beiden Rädern lässt sich Ihr Sitzschalenuntergestell wesentlich leichter und besser manövrieren.
- Achten Sie auf eine ausreichende Profiltiefe Ihrer Bereifung!
- Beachten Sie bitte, dass Sie bei Fahrten im öffentlichen Straßenverkehr der Straßenverkehrsordnung unterliegen.
- Lassen Sie bei der Handhabung und beim Einstellen des Rollstuhls immer Vorsicht walten!
- Anpassungen, für die Werkzeug benötigt wird, sollten nur von autorisierten Fachhändlern vorgenommen werden.
- Reinigen Sie den Rollstuhl regelmäßig, um Rostbildung und Korrosion durch Salz zu vermeiden.
- Überprüfen Sie die Nieten, Muttern und Schrauben, um sicherzustellen, dass sie fest sitzen und sich keine Rollstuhlteile lösen.
- Bei allen beweglichen Teilen besteht immer die Gefahr, dass die Finger eingeklemmt werden können. Bitte immer vorsichtig handhaben.
- Die Rollstühle, die in diesem Handbuch abgebildet und beschrieben sind, entsprechen möglicherweise nicht in allen Einzelheiten genau Ihrem eigenen Modell. Dennoch sind alle Anweisungen trotz möglicher Detailunterschiede völlig relevant.
- Der Hersteller behält sich das Recht vor, Gewichte, Abmessungen oder andere in diesem Handbuch aufgeführte technische Daten ohne vorherige Benachrichtigung zu ändern. Alle in diesem Handbuch aufgeführten Zahlenangaben, Abmessungen und Kapazitäten sind ungefähr und stellen keine präzisen technischen Daten dar.

GEFAHR!

ERSTICKUNGSGEFAHR – Diese Mobilitätshilfe enthält Kleinteile, die unter Umständen eine Erstickungsgefahr für kleine Kinder darstellen können.

LEBENSDAUER

Die erwartete Lebensdauer des Rollstuhls beträgt 5 Jahre, vorausgesetzt:

Die bestimmungsgemäße Verwendung wird genau beachtet
Alle Anforderungen in Bezug auf Service und Wartung werden erfüllt.

DIESE GARANTIE BESCHRÄNKT IHRE GESETZLICHEN RECHTE IN KEINER WEISE.

Sunrise Medical* gewährt ihren Kunden weltweit auf ihre Rollstühle eine Garantie zu den folgenden

Garantiebedingungen

1. Sollte ein Teil oder sollten Teile des Rollstuhls als Folge eines Herstellungs- und/oder Materialfehlers innerhalb von 24 Monaten bzw. bei Rahmen- und Kreuzstreben innerhalb von 5 Jahren nach der Auslieferung an den Käufer eine Reparatur oder einen Austausch benötigen, wird das betroffene Teil bzw. werden die betroffenen Teile repariert oder kostenlos ausgetauscht.
2. Zur Geltendmachung der Garantie benachrichtigen Sie umgehend den Sunrise Medical Kundendienst mit genauen Angaben zur Art der Schwierigkeiten. Sollten Sie den Rollstuhl außerhalb des Zuständigkeitsbereichs des Sunrise Medical Kundendienstes verwenden, werden Reparatur oder Austausch von einem anderen vom Hersteller bezeichneten Kundendienst ausgeführt. Der Rollstuhl muss von einem zuständigen Sunrise Medical Kundendienst (Händler) repariert werden.
3. Für Teile, die im Rahmen dieser Garantie repariert oder ausgetauscht werden, gewähren wir eine Garantie nach diesen Garantiebedingungen für die für den Rollstuhl verbleibende Garantiedauer nach Ziffer 1).
4. Für Originalersatzteile, die auf Kosten des Käufers eingebaut werden, gewähren wir 24 Monate Garantie ab dem Einbau nach diesen Garantiebedingungen (für Batterien gilt davon abweichend jedoch nur eine verringerte Garantiezeit von 12 Monaten).
5. Verschleißteile wie Polster, Reifen, Schläuche, Bespannungen und ähnliche Teile sind von der Garantie ausgeschlossen, es sei denn es liegt eine vorzeitige Abnutzung des Teils vor, die direkt auf einen Herstellungsfehler zurückzuführen ist.
6. Ansprüche aus dieser Garantie entfallen, wenn eine Reparatur oder ein Ersatz des Rollstuhls oder eines Teiles aus den folgenden Gründen erforderlich ist:
 - a) Das Produkt oder das Teil wurde nicht gemäß den in der Betriebsanleitung und/oder dem Service-Handbuch aufgeführten Empfehlungen des Herstellers gepflegt oder gewartet.
 - b) Es wurde Zubehör verwendet, bei dem es sich nicht um Originalzubehör handelte.
 - c) Der Rollstuhl oder ein Teil des Rollstuhls wurde durch Nachlässigkeit, Unfall oder unsachgemäße Verwendung beschädigt.
 - d) Es wurden Änderungen/Modifikationen am Rollstuhl oder an Teilen vorgenommen, die von unseren Herstellerspezifikationen abweichen.
 - e) Es wurden Reparaturen durchgeführt, bevor unser Kundendienst über den jeweiligen Sachverhalt informiert wurde.
7. Diese Garantie unterliegt dem Recht des Landes indem das Produkt von Sunrise Medical gekauft worden ist.

* Bedeutet der Sunrise Medical Standort von dem das Produkt gekauft wurde.

Transport

⚠ GEFAHR!

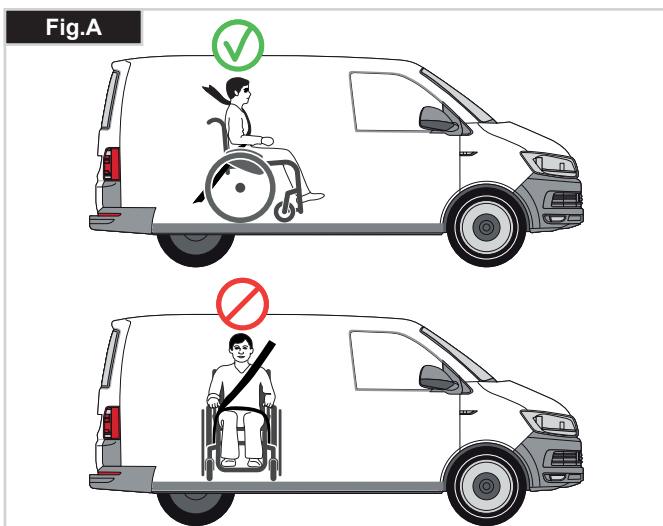
Bei Nichtbeachtung dieser Ratschläge besteht die Gefahr von schweren Körperverletzungen und sogar Lebensgefahr!

Transport Ihres Sitzschalenuntergestells in einem Fahrzeug:

Ein in einem Fahrzeug gesichertes Sitzschalenuntergestell bietet nicht die gleiche Sicherheit wie das Sitzsystem eines Fahrzeugs. Wir empfehlen immer, soweit möglich, den Nutzer in einen festen Fahrzeugsitz umzusetzen. Wir erkennen an, dass dies in der Praxis nicht immer möglich ist. In diesem Fall müssen die folgenden Ratschläge beachtet werden, wenn der Benutzer im Sitzschalenuntergestell sitzend transportiert werden muss:

1. Überprüfen Sie, dass das Fahrzeug für den Transport eines Insassen in einem Sitzschalenuntergestell ausgestattet ist und über einen für Ihren Rollstuhltyp geeigneten Zugang/Ausgang verfügt. Das Fahrzeug muss über eine ausreichende maximale Zuladung, d.h., das Körpergewicht des Benutzers und das Gewicht von Sitzschalenuntergestell und Zubehör, verfügen.
2. Um das Sitzschalenuntergestell herum sollte genügend Platz zur Verfügung stehen, damit das Rückhaltesystem des Sitzschalenuntergestells und die Sicherheitsgurte für den Benutzer angelegt, festgezogen und wieder geöffnet werden können.
3. Wenn sich der Benutzer im Sitzschalenuntergestell befindet, muss dieser vorwärts gerichtet stehen und mit den Befestigungsgurten für das Sitzschalenuntergestell und den Sicherheitsgurten des Sitzschalenuntergestells (Befestigungsgurte gemäß WTORS müssen den Anforderungen von ISO 10542 oder SAE J2249 entsprechen) gemäß der Gebrauchsanweisung des Herstellers des Rückhaltesystems (WTORS) befestigt werden.
4. Das Sitzschalenuntergestell wurde für den Transport in einem Fahrzeug in einer anderen Stellung nicht geprüft, so darf z.B. das Sitzschalenuntergestell keinesfalls seitlich gerichtet transportiert werden (Fig. A).

5. Das Sitzschalenuntergestell muss mit einem Rückhaltesystem gemäß ISO 10542 oder SAE J2249 mit nicht verstellbaren Gurten vorne und verstellbaren Gurten hinten gesichert werden, dabei handelt es sich normalerweise um Karabinerhaken/S-förmige Haken sowie um Steckverschlüsse. Die Rückhaltesysteme bestehen normalerweise aus 4 Einzelgurten, die an den vier Ecken des Sitzschalenuntergestells befestigt werden.
6. Das Rückhaltesystem muss wie auf der nächsten Seite abgebildet am Rahmen des Rollstuhls und darf nicht an Anbauten oder Zubehör, z.B. nicht um die Speichen der Räder, die Feststellbremse oder Fußraste befestigt werden.
7. Das Rückhaltesystem muss so nah wie möglich mit einem Winkel von 45 Grad angebracht und gemäß der Bedienungsanleitung des Herstellers sicher befestigt werden.
8. Ohne Rücksprache mit dem Hersteller dürfen an den Befestigungspunkten des Rollstuhls oder an Bauteilen des Fahrgestells und des Rahmens keine Änderungen vorgenommen bzw. diese nicht ausgewechselt werden. Bei Nichtbeachtung dieser Vorgabe dürfen Sunrise Medical Rollstühle nicht in Fahrzeugen transportiert werden.
9. Der Benutzer muss sowohl mit dem Beckengurt als auch mit dem Schultergurt angeschnallt werden, um die Wahrscheinlichkeit eines Aufpralls von Kopf und Brust auf die Bauteile des Fahrzeugs und schwere Körperverletzungen beim Benutzer und anderen Fahrzeuginsassen zu verringern. (Fig. B) Der Schultergurt muss an der "B"-Säule des Fahrzeugs befestigt werden - bei Nichtbeachtung erhöht sich die Gefahr von schweren Bauchverletzungen für den Benutzer.
10. Eine für den Transport geeignete Kopfstütze (siehe Aufkleber an der Kopfstütze) muss eingebaut und während des Transports stets richtig angebracht sein.
11. Haltevorrichtungen (Beckenriemen, Beckengurte) dürfen bei der Fahrt nur zur Sicherung des Rollstuhlbenutzers verwendet werden, wenn auf dem Etikett angegeben ist, dass sie die Anforderungen von ISO 7176-19:2001 oder SAE J2249 erfüllen.
12. Die Sicherheit des Benutzers während des Transports hängt von der Sorgfalt ab, mit der das Rückhaltesystem befestigt wird, die Person, von der die Befestigung ausgeführt wird, sollte in der Bedienung des Systems unterwiesen bzw. geschult sein.



Transport

13. Soweit möglich sollten alle Hilfsmittel vom Sitzschalenuntergestell abgenommen und sicher verstaut werden wie etwa: Krücken, lose Kissen und Therapietische.
14. Hochschwenkbare/höhenverstellbare Fußrasten dürfen nicht hochgestellt sein, wenn der Benutzer im Sitzschalenuntergestell sitzend transportiert wird und das Sitzschalenuntergestell mit einem Rückhaltesystem und Sicherheitsgurt gesichert ist.
15. Verstellbare Rücken müssen in die aufrechte Position gebracht werden.
16. Die manuelle Feststellbremse muss angezogen werden.
17. Die Sicherheitsgurte müssen an der "B"-Säule des Fahrzeugs angebracht werden und dürfen nicht durch Rollstuhlteile wie Armlehnen oder Räder vom Körper ferngehalten werden.

ANLEITUNG FÜR DAS ANSCHNALLEN DES ROLLSTUHLBENUTZERS:

1. Der Beckengurt muss unten an der Vorderseite des Beckens getragen werden, so dass der Winkel des Beckengurtes innerhalb des bevorzugten Bereichs von 30 bis 75 Grad zur Horizontalen liegt. Ein steilerer (größerer) Winkel innerhalb des bevorzugten Bereichs ist wünschenswert, d.h., näher an 75°, aber keinesfalls darüber. (Fig. C)
2. Der Schultergurt muss wie in Fig. D und E gezeigt über die Schulter und quer über die Brust passen. Sicherheitsgurte müssen so fest wie möglich sitzen ohne den Benutzerkomfort zu beeinträchtigen. Sicherheitsgurte dürfen beim Gebrauch nicht verdreht sein. Der Schultergurt muss wie in Fig. D und E gezeigt über die Schulter und quer über die Schulter passen.

3. Die Befestigungspunkte am Sitzschalenuntergestell befinden sich am vorderen inneren Seitenteil des Fahrgestells direkt über dem Lenkrad und am hinteren Seitenteil des Fahrgestells. Die Gurte werden um die Seitenteile des Fahrgestells an der Stelle befestigt, an der das waagrechte und das senkrechte Rohr aufeinandertreffen. (Siehe Fig. G-H)

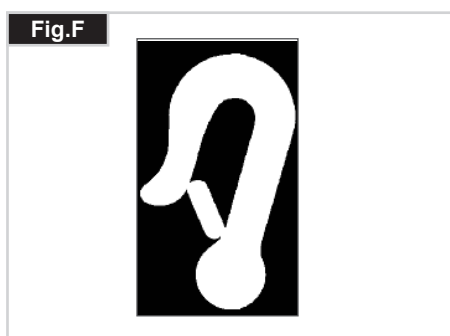
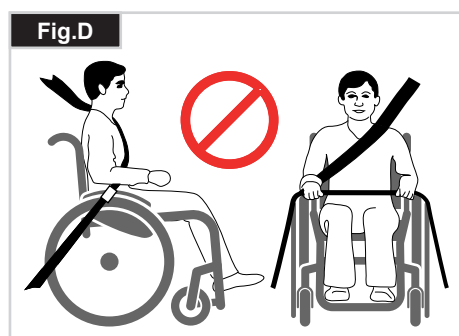
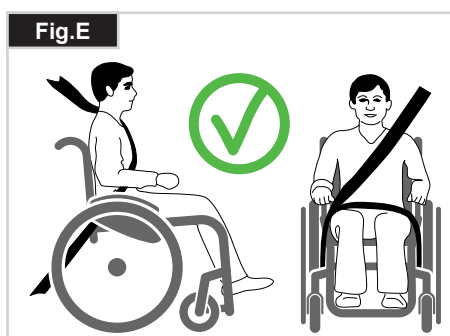
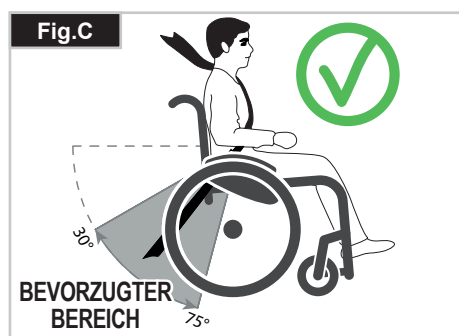
4. Die Position der Befestigungsgurte ist mit dem Symbol für den Befestigungspunkt (Fig. F) markiert. Wenn die vorderen Gurte zur Befestigung des Rollstuhls angebracht sind, werden die Gurte gestrafft.

LAGE DER BEFESTIGUNGSPUNKTE FÜR DAS RÜCKHALTESYSTEM AM ROLLSTUHL:

1. Lage der vorderen (Fig. G) und hinteren (Fig. H) Aufkleber mit den Befestigungspunkten für das Rückhaltesystem am Rollstuhl und des Verankerungsaufklebers.

KÖRPERGEWICHT DES BENUTZERS UNTER 22 KG

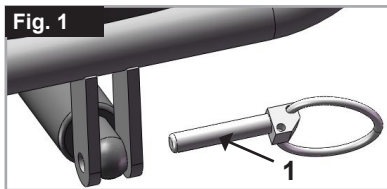
Wenn ein Kind mit einem Körpergewicht von unter 22 kg befördert wird und weniger als acht (8) Insassen im Fahrzeug sitzen, wird empfohlen, ein Rückhaltesystem für Kinder (CRS) gemäß UNCE Regulation 44 zu verwenden. Diese Art von Rückhaltesystem bietet einen wirksameren Schutz als der normale Dreipunkt-Sicherheitsgurt in Fahrzeugen und manche Rückhaltesysteme für Kinder verfügen auch über zusätzliche Haltevorrichtungen, die dazu beitragen, die Sitzhaltung des Kindes aufrecht zu erhalten. Eltern oder Therapeuten können unter bestimmten Umständen auch erwägen, dass ihr Kind während der Fahrt im Sitzschalenuntergestell sitzen bleibt, da das Sitzschalenuntergestell für eine bessere Haltungskontrolle sorgt und mehr Komfort bietet. In diesem Fall empfehlen wir, dass Ihr Gesundheitspfleger und sachkundige Personen eine Risikoanalyse durchführen.



Handhabung

FALTEN

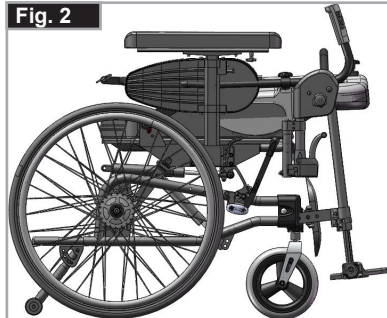
Der Rücken kann nach vorne geschwenkt werden, um den Transport des Rollstuhls zu ermöglichen. Sichern Sie den Rücken, damit er nicht aus Versehen herunterfallen kann, dazu den Splint (1) herausziehen und den Rücken nach vorne falten.



Für ein kleineres zusammengefaltetes Paket können das Sitzkissen und die Rückenschale abgenommen werden.

⚠️ WARNUNG!

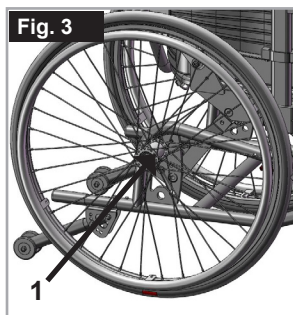
Verletzungsgefahr – der Rücken muss gesichert bzw. festgehalten werden, bevor er entriegelt wird.



Um den Rücken wieder in die aufrechte Position zu bringen, den Rücken wieder nach oben falten und den Splint wieder einsetzen.

⚠️ GEFAHR!

- Verletzungsgefahr – Sie müssen sicherstellen, dass der Rücken richtig gesichert ist!
- Vergewissern Sie sich, dass die Rückenschale richtig eingerastet ist.



STECKACHSEN BEIM ANTRIEBSRAD

Die Hinterräder sind mit Steckachsen ausgestattet. Damit können die Räder ohne Werkzeug montiert und abgenommen werden. Um ein Rad abzunehmen, drücken Sie einfach auf den Schnellverschlussknopf an der Achse (1), und ziehen Sie das Rad von der Achse (Fig. 3).

⚠️ VORSICHT!

Halten Sie bei der Montage der Hinterräder den Steckachsenknopf auf der Achse niedergedrückt, wenn Sie die Achse in den Rahmen stecken. Beim Loslassen des Knopfs rastet die Achse ein, und der Schnellverschlussknopf springt in seine Ausgangsposition zurück.

ALLEINE IN IHREN ROLLSTUHL EINSTEIGEN

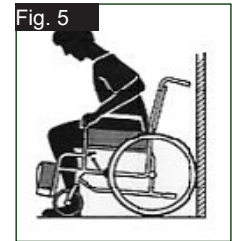
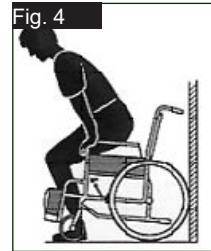
(Fig 4)

- Den Rollstuhl an eine Wand oder ein solides Möbelstück schieben;
- Die Feststellbremse anziehen;
- Die Fußplatten nach oben klappen;
- Der Benutzer kann sich dann selbst in den Rollstuhl herablassen;
- Die Fußplatten dann nach unten klappen und die Füße vor den Fersenbändern darauf abstützen.

ALLEINE AUS IHREM ROLLSTUHL AUSSTEIGEN

(Fig 5)

- Die Feststellbremse anziehen;
- Die Fußplatten mit Gelenk nach oben klappen;
- Die Fußplatten mit Gelenk nach oben klappen; die Person leicht nach vorne beugen, um das Körpergewicht auf die Vorderkante des Sitzes zu verlagern und mit beiden Füßen fest auf dem Boden und einem Fuß hinter dem anderen in die aufrechte Position schieben.



⚠️ WARNUNG!

- Beim Stehen nicht auf die Fußplatten stellen, da der Rollstuhl sonst umkippt. Das Einsteigen in Ihren Rollstuhl ist einfacher und sicherer, wenn Sie die Fußplatten nach oben klappen und zur Seite schieben oder sie vom Rollstuhl abnehmen.
- Vor dem Einsteigen in den oder Aussteigen aus dem Rollstuhl immer die Feststellbremse anziehen.

Optionen – Ankippbügel

ANKIPPBÜGEL

Ankippbügel werden vom Helfer benutzt, um den Rollstuhl über ein Hindernis zu kippen. Um den Rollstuhl zum Beispiel auf einen Bordstein oder eine Stufe zu schieben, tritt man einfach mit dem Fuß auf die Stange (Fig. 6).



⚠️ VORSICHT!

Sunrise Medical empfiehlt bei Modellen mit Transitrollen dringend, einen Ankippbügel zu verwenden. Dies gilt auch für Modelle, die vorwiegend von einer Begleitperson geschoben werden, da die Rückenrohre beschädigt werden können, wenn sie zum Überwinden von Hindernissen ständig nach hinten gezogen werden.

Optionen - Feststellbremsen

FESTSTELLBREMSEN

Ihr Rollstuhl ist mit zwei Feststellbremsen ausgestattet, die direkt gegen die Räder geführt werden. Um die Feststellbremsen anzuziehen, drücken Sie beide Bremshebel nach vorn, gegen den Anschlag. Zum Loslassen der Bremse ziehen Sie die Hebel zurück in ihre Ausgangsposition.

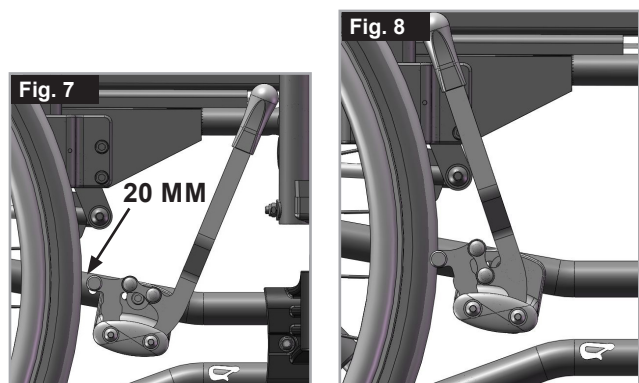
Die Bremsen sind weniger wirksam bei:

- abgefahrenem Reifenprofil
- zu niedrigem Reifendruck
- nassen Reifen
- inkorrektener Einstellung

Die Feststellbremsen sind nicht als Fahrbremsen ausgelegt. Die Feststellbremsen dürfen daher nicht zum Abbremsen des Stuhls verwendet werden. Benutzen Sie dazu immer die Hände. Achten Sie darauf, dass der Abstand zwischen den Reifen und den Feststellbremsen mit den angegebenen Spezifikationen übereinstimmt. Der Abstand wird justiert, indem Sie die Schraube lockern und den richtigen Abstand einstellen. Die Schraube dann wieder anziehen (Fig. 7-8).

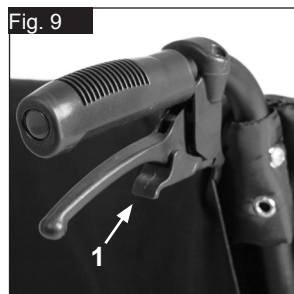
⚠ VORSICHT!

Prüfen Sie den Abstand der Feststellbremsen nach jeder Justierung des Hinterrads und stellen Sie ihn gegebenenfalls neu ein.
 Wenn die Feststellbremse zu nah am Rad montiert ist, erfordert die Betätigung einen höheren Kraftaufwand. Dadurch kann es zu Bruch des Verlängerungshebels kommen!
 Wenn Sie sich beim Ein- und Aussteigen auf den Verlängerungshebel stützen, bricht der Verlängerungshebel ab! Spritzwasser von den Rädern kann zur Fehlfunktion der Feststellbremsen führen.



TROMMELBREMSEN

Trommelbremsen stellen für den Helfer eine sichere und geeignete Bremsmethode dar.
 Die Bremsen können ebenfalls mit einem Verschlusshebel (1) angeogen werden, um das Wegrollen zu verhindern.
 Der Hebel muss hörbar einrasten.
 Die Trommelbremsen werden nicht vom Reifendruck beeinflusst (Fig. 9).



⚠ WARNUNG!

- Trommelbremsen dürfen nur von zugelassenen Fachhändlern justiert werden.
- Betätigen Sie die beiden Trommelbremsen immer gleichzeitig, um zu gewährleisten, dass Sie die Kontrolle über die Fahrtrichtung behalten!
- Trommelbremsen können nur als dynamische Bremse zum Anhalten des Rollstuhls während der Fahrt verwendet werden.
- Betätigen Sie immer die Feststellbremse, um den Rollstuhl bei kurzem oder langem Anhalten oder zum Umsteigen zu sichern.

Optionen - Fußplatten

FUSSPLATTEN:

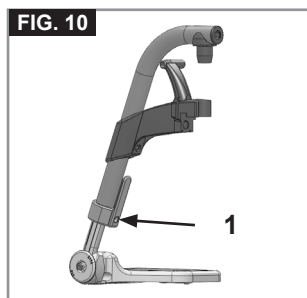
Die Fußplatten können hochgeklappt werden, um das Ein- und Aussteigen zu erleichtern.

UNTERSCHENKELLÄNGE:

Für Fahrer mit längeren Beinen kann die Beinstütze mittels der Schrauben (1) entsprechend abgesenkt werden. Lockern Sie die Schrauben, schieben Sie die Rohre auf die gewünschte Position, und ziehen Sie die Schrauben wieder fest (siehe unter Drehmoment). Die Fußplatten müssen mindestens 2,5 cm Abstand vom Boden haben, (Fig. 10).

BEINSTÜTZEN UND VERRIEGELUNG

Die Beinstützen können nach innen unter die Sitzschlinge oder nach außen geschwenkt werden. Beim Montieren der Beinstütze müssen die Fußbretter nach innen bzw. außen zeigen. Drehen Sie dann die Beinstütze nach innen bzw. außen, bis sie einrastet. Zum Abmontieren ziehen Sie den Hebel (1) schwenken Sie die Fußplatte nach innen oder außen, und heben Sie die Beinstütze heraus. Achten Sie auf das korrekte Einrasten der Beinstütze, (Fig. 11).



⚠ VORSICHT!

- Der Rollstuhl darf nicht an den Beinstützen angehoben oder getragen werden.
- Benutzen Sie zum Ein- oder Aussteigen aus dem Rollstuhl nicht die Fußbretter. Sie müssen vorher hochgeklappt werden oder die Fußraste muss so weit wie möglich nach außen geschwenkt werden.

Optionen - Amputationsauflage

AMPUTATIONS AUFLAGE

(Fig. 12).

Die Amputationsauflage kann je nach Bedarf in alle Richtungen eingestellt werden.



FIG. 12

Optionen - Höhenverstellbare Fußrasten

OPTION HÖHENVERSTELLBARE FUSSRASTE

(Fig. 13-15)

Zum Abnehmen den Hebel (1) betätigen, die Fußbretter nach außen schwenken und die Fußraste herausheben.

HÖHENEINSTELLUNG:

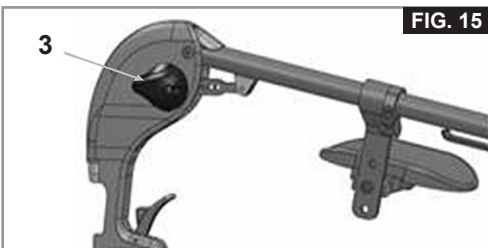
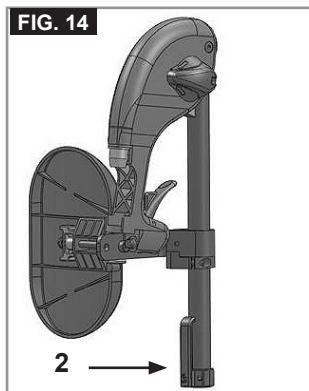
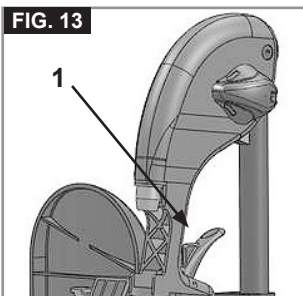
Die Unterschenkellänge kann durch Lösen der Schraube (2) stufenlos verstellt werden. Auf eine passende Höhe einstellen und die Schraube wieder festziehen.

⚠ VORSICHT!

Der Abstand zwischen der Fußbrettern und dem Boden muss mindestens 2,5cm betragen.

EINSTELLEN DES WINKELS:

Drücken Sie den Hebel (3) mit einer Hand nach unten und halten Sie die Fußraste mit der anderen Hand fest, um sie zu entlasten. Wenn der gewünschte Winkel erreicht ist, lassen Sie den Hebel los und die Fußraste rastet in eine der voreingestellten Positionen ein.

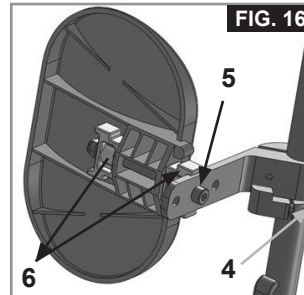


VERSTELLEN DES WADENPOLSTERS

(Fig. 16).

Das Wadenpolster kann wie folgt verstellt werden:

- Höhe: Lösen Sie die Schraube (4) und schieben Sie das Klemmstück auf die gewünschte Position. Durch das Drehen des Klemmstücks kann auch der Winkel verstellt werden.
- Tiefe: Lösen Sie die Schraube (5) und schieben Sie das Wadenpolster in die gewünschte Position.
- Breite: Lösen Sie die Schraube (5) und bringen Sie die Distanzstücke (6) so hinter dem Polster an, dass die gewünschte Position erreicht ist.



⚠ WARNUNG!

- Halten Sie beim Anheben oder Absenken der Fußraste die Hände vom Verstellmechanismus zwischen dem Fahrgestell und den beweglichen Teilen der Fußraste fern.
- Achten Sie immer darauf, dass die Befestigungsteile gesichert sind.
- Die Fußrasten dürfen nicht zum Anheben oder zum Tragen des Rollstuhls verwendet werden.
- Quetschgefahr! Greifen Sie beim Verstellen der Fußraste nach oben oder unten nicht in den Verstellmechanismus zwischen den beweglichen Teilen der Fußraste.

Optionen - Lenkräder

LAUFRÄDER, LAUFRADPLATTEN, GABELN

Es kann vorkommen, dass der Rollstuhl einen leichten Rechts- oder Linksdraht entwickelt oder dass die Laufräder schlingern. Das kann folgende Gründe haben:

- Der Radlauf vorwärts oder rückwärts ist nicht richtig eingestellt.
- Der Laufradwinkel ist nicht richtig eingestellt.
- Der Druck im Laufrad und /oder Hinterrad ist nicht korrekt; die Räder drehen sich nicht sanft.
- Der Rollstuhl kann nicht in einer geraden Linie fahren, wenn die Laufräder nicht richtig eingestellt sind.

⚠ WARNUNG!

- Die Laufräder müssen immer von einem zugelassenen Fachhändler eingestellt werden.
- Die Feststellbremse muss immer überprüft werden, wenn die Position des Hinterrads verstellt wurde.

Optionen – Lenkrad-Adapter

SITZHÖHENVERSTELLUNG:

Die Sitzhöhe wird durch die Lenk- und Antriebsradposition festgelegt. Die Sitzhöhe kann durch unterschiedliche Größe und Position der Antriebsräder, der Lenkräder und mit Hilfe der Distanzbuchsen eingestellt werden.

⚠ VORSICHT!

- Nach dem Verstellen der Sitzhöhe müssen alle Schrauben wieder festgezogen werden.
- Der Lenkradwinkel muss auf 90° eingestellt werden.
- Die Sitzhöhe muss deshalb immer vorne und hinten gleich sein.

Optionen - Rücken

KOMFORT-RÜCKEN

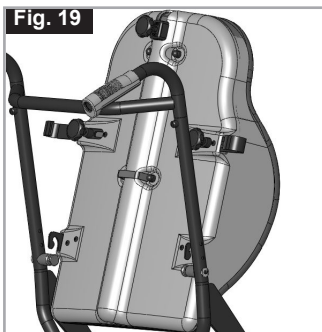
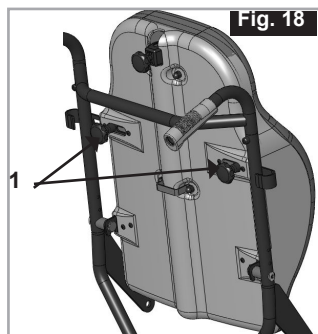
(Fig. 17 bis 19).

Der Komfort-Rücken bietet seitliche Abstützung und komfortables Sitzen über einen längeren Zeitraum.

Die Rückenschale kann abgenommen werden, dazu die Knöpfe (1) drehen und nach außen drücken. Die Rückenschale nach vorne und oben ziehen, um sie von den Führungshaken zu lösen. Das Kissen ist mit einem Klettverschluss befestigt und kann auch entfernt werden.

⚠ WARNUNG!

Beim Einbau des Rückens darauf achten, dass die Schale richtig an den Führungshaken befestigt und ganz eingerastet ist.



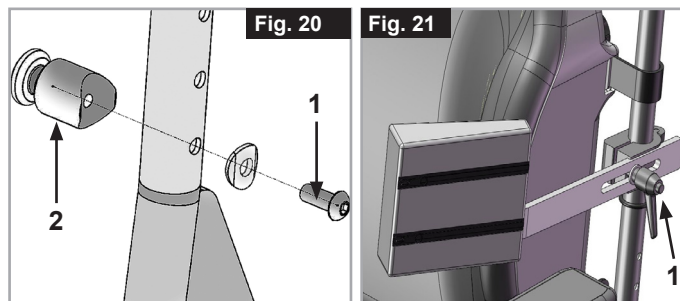
Optionen - Rücken

HÖHENVERSTELLBARE RÜCKENLEHNE

Die Höhe des Rückens kann auf 4 verschiedene Positionen eingestellt werden. Die Schrauben (1) lösen und abnehmen und die Führungshaken (2) in die gewünschte Position bringen. Ziehen Sie die Bolzen wieder fest, (Fig.20).

RUMPFUNTERSTÜTZUNG

Die Rumpfunterstützung ist winkel-, tiefen- und höhenverstellbar. Sie kann durch Drehen des Verschlusshebels (1) weggeschwenkt werden. (Fig. 21)



VERSTELLBARER RÜCKEN (0° - 35°)

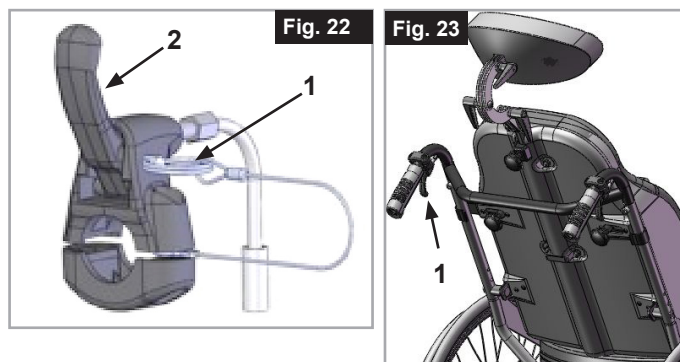
⚠ VORSICHT!

Vor dem Verstellen bitte den Sicherheitsstift (1) entfernen (Fig.22).

Durch Betätigung des Hebels (2) kann der Rücken entriegelt und in die gewünschte Position gebracht werden. Durch Loslassen des Hebels (1) rastet der Rücken automatisch ein (Fig. 23).

⚠ WARNUNG!

- Es wird empfohlen, den winkelverstellbaren Rücken in Kombination mit Sicherheitsrädern (maximaler Bodenabstand 3 – 5 cm) zu verwenden.
- Den Rückenwinkel keinesfalls verstellen, wenn sich der Rollstuhl an einer Steigung bzw. an einem Gefälle befindet.
- Sicherstellen, dass der Sicherheitsstift wieder eingesetzt wird.



Optionen – Seitenteil

HÖHENVERSTELLBARE ARMAUFLAGEN

Zum Verstellen der Höhe, ziehen Sie den Hebel (1) und schieben Sie die Armauflage auf die gewünschte Höhe. Achten Sie dann darauf, dass der Hebel (1) wieder einrastet. Um das Seitenteil ganz abzunehmen, betätigen Sie den Hebel (2). Zum Anbringen des Seitenteils muss der Hebel (2) ebenfalls betätigt werden. Achten Sie immer darauf, dass das Seitenteil richtig in die Aufnahme einrastet. (Fig. 24).

⚠️ WARNUNG!

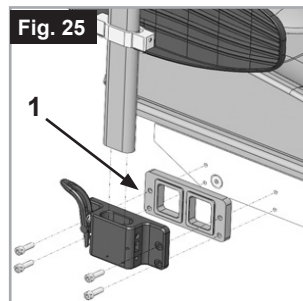
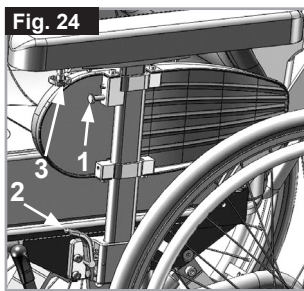
Beim Verstellen der Armauflagenhöhe besteht Einklemmgefahr für die Finger.

Die Position des Armpolsters kann verstellt werden, dazu den Sterngriff (3) aufdrehen und das Polster in die gewünschte Position schieben (Fig.24).

Darauf achten, dass der Sterngriff richtig festgezogen ist! Die Sitzbreite kann um 2 cm verstellt werden, dazu das innere Polster abnehmen und/oder 2 Distanzstücke (1) hinzufügen (Fig.25).

⚠️ VORSICHT!

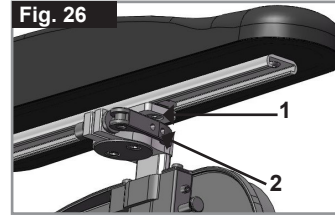
Wenn die Armauflage nach außen verstellt wird, muss auch das Hinterrad nach außen verstellt werden (Fig. 25).



Optionen – Hemi-Armauflage

HEMI-ARMAUFLAGE

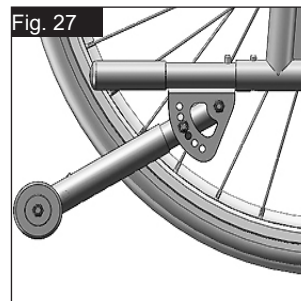
Die Hemi Armauflage ist längen- und winkelverstellbar. Die Länge kann über das Verschieben der Armauflage nach Lösen der 2 Drehschrauben (1) eingestellt werden. Zur Winkeleinstellung, öffnen Sie den Verschlusshebel (2) und die Armauflage auf die gewünschte Position drehen, dann den Hebel wieder anziehen (Fig. 26).



Optionen - Sicherheitsräder

SICHERHEITSRÄDER

Sicherheitsräder verschaffen unerfahrenen Rollstuhlbenutzern zusätzliche Sicherheit, wenn sie den Umgang mit dem Rollstuhl erlernen. Sie hindern den Rollstuhl daran, nach hinten zu kippen. Das Sicherheitsrad in das Rahmenrohr einstecken, bis der erste der zwei Verschlussknöpfe in das erste Loch am Rahmenrohr einrastet, (Fig. 27).



⚠️ WARNUNG!

Bei falscher Einstellung der Sicherheitsräder kann der Rollstuhl nach hinten kippen. Beim Hinauf- oder Herunterfahren von größeren Hindernissen (wie etwa Bordsteine) müssen Sie die Sicherheitsräder nach oben schwenken, damit sie den Boden nicht berühren, und sie dann in ihre normale Position zurückschwenken.

HINWEIS:Stecken Sie nicht beide Knöpfe des Sicherheitsrads in das Rahmenrohr ein, da die Sicherheitsräder dadurch beschädigt und ihre Wirksamkeit verloren gehen könnte. Durch Druck auf den Verschlussknopf können die Sicherheitsräder nach oben gestellt oder entfernt werden. Zwischen Rohr und Boden muss ein Abstand von 3 cm bis 5 cm verbleiben. Wenn Sie ein größeres Hindernis überwinden (z.B. einen Bordstein befahren), müssen die Sicherheitsräder nach oben gedreht werden, damit sie den Boden nicht berühren. Drehen Sie die Sicherheitsräder anschließend wieder auf die normal vorgesehene Stellung herunter. (Fig. 27).

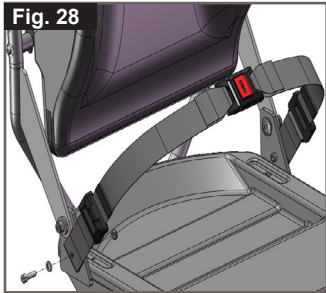
Optionen – Beckengurt

BECKENGURT



Vor der Benutzung des Rollstuhls sicherstellen, dass der Sicherheitsgurt angelegt und richtig eingestellt ist.

Der Beckengurt ist wie abgebildet am Rollstuhl angebracht. Der Gurt besteht aus 2 Hälften. Diese werden mit der Befestigungsschraube für die Haltestange befestigt, die durch die Öse am Gurt gesteckt wird. Der Gurt wird unter der Rückseite des Seitenteils entlang geführt. (Fig. 28).



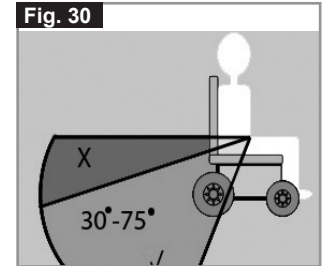
Bringen Sie den Gurt so an, dass sich die Schnallen in der Mitte des Sitzes befinden.

Passen Sie den Beckengurt wie folgt an den Benutzer an:

Gurt länger machen	Gurt kürzer machen	
Um den Gurt länger zu machen, übrige Gurtlänge durch die Schlaufen und den Einsteckteil des Steckverschlusses fädeln.	Übrige Gurtlänge durch den Einsteckteil des Steckverschlusses und die Schlaufe zurück fädeln.	Darauf achten, dass der Gurt am Einsteckteil des Steckverschlusses keine Schlinge aufweist.

Nach dem Anschnallen den Abstand zwischen dem Gurt und dem Benutzer prüfen. Bei richtiger Einstellung passt noch eine Handfläche zwischen den Gurt und den Benutzer. (Fig. 29)

Normalerweise sollte der Beckengurt so angebracht werden, dass sich die Gurte in einem Winkel von ca. 45° befinden; wenn er richtig eingestellt ist, darf der Benutzer im Sitz nicht nach unten rutschen. (Fig. 30).



Zum Anschnallen: Das Einsteckteil des Steckverschlusses fest in das Gurtschloss stecken.	Zum Öffnen: Die sichtbaren Teile des Einsteckteils des Steckverschlusses gleichzeitig zusammendrücken und zur Mitte schieben oder die Lösetaste am Gurtschloss drücken und vorsichtig auseinanderziehen.

HINWEISE FÜR DEN PATIENTEN



- Wenn Rollstuhl und Benutzer in einem Fahrzeug transportiert werden, verlassen Sie sich nicht nur auf den Beckengurt, benutzen Sie die separaten Beckengurte und diagonale Schultergurte im Fahrzeug.
- Wir empfehlen, den Beckengurt vor der Benutzung darauf zu überprüfen, dass er richtig eingestellt ist und keine Behinderung oder übermäßige Abnutzung vorliegt und der Steckverschluss sicher im Gurtschloss einrastet.
- Wenn vor der Fahrt nicht überprüft wird, dass der Beckengurt gesichert und richtig eingestellt ist, könnte das schwere Körperverletzungen des Benutzers verursachen. Wenn der Gurt beispielsweise zu locker sitzt, kann der Benutzer im Sitz nach unten rutschen und es besteht Erstickungsgefahr.

WARTUNG:

Prüfen Sie den Beckengurt und die Befestigungsteile in regelmäßigen Abständen auf Verschleißanzeichen oder Schäden. Je nach Bedarf muss er ausgetauscht werden. Den Beckengurt mit warmem Seifenwasser abwaschen und trocknen lassen.

⚠️ GEFAHR!

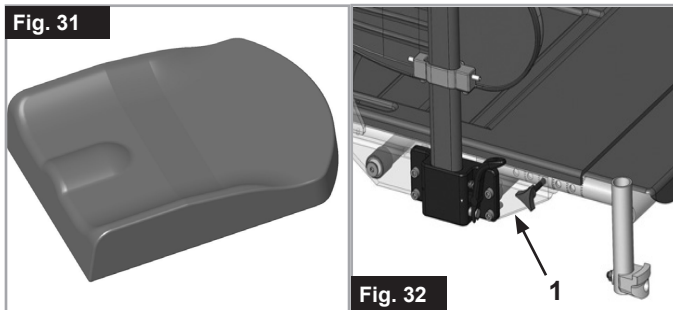
- Der Beckengurt muss wie oben beschrieben passend für den Fahrer eingestellt werden. Sunrise Medical empfiehlt auch, die Länge und Passform des Gurts regelmäßig zu überprüfen, um die Gefahr zu verringern, dass der Fahrer den Gurt aus Versehen zu lang einstellt.
- Wenn Sie Fragen zur Benutzung und Bedienung des Beckengurts haben, wenden Sie sich an Ihren Therapeuten, Fachhändler, Pfleger oder an Ihre Begleitperson.

Optionen – Sitz**KOMFORT-SITZ (FIG. 31).**

Der Komfort-Sitz ist ein anatomisch geformtes Kissen und bietet komfortables Sitzen auch über einen längeren Zeitraum. Das Kissen ist mit einem Klettverschluss befestigt und kann ebenfalls abgenommen werden. Der Bezug kann gewaschen werden (siehe die Anleitung am Kissen).

SITZTIEFE (FIG. 32).

Nach dem Lösen der Sterngriffe (1) an beiden Seiten, kann die Sitztiefe in 1 cm Schritten verstellt werden. Diese sind durch Markierungen am Sitzrohr und den Aufkleber an der Sitzplatte erkennbar. Auf die gewünschte Position einstellen und die beiden Sterngriffe anziehen.

**⚠️ VORSICHT!**

- Die maximale Sitztiefe (siehe Markierung und Endanschlag) darf nicht überschritten werden.
- Achten Sie darauf, dass die Sterngriffschrauben immer in ein passendes Loch greifen und fest angezogen sind.

EINSTELLEN DER SITZBREITE

Sie können die Breite des Rollstuhlsitzes verstellen, dazu entweder das innere Polster abnehmen oder Distanzstücke einsetzen (siehe Option Seitenteil)

**VERSTELLBARER SITZWINKEL
(0°-25° / -3 -22°)**

Vor dem Verstellen bitte den Sicherungsstift (1) entfernen (Fig. 33).

Durch Betätigen des Hebels (2) wird der Sitz entriegelt und kann in die gewünschte Position gestellt werden (Fig.34). Wenn Sie den Hebel loslassen, rastet der Sitz automatisch in der neuen Position ein.

⚠️ GEFAHR!

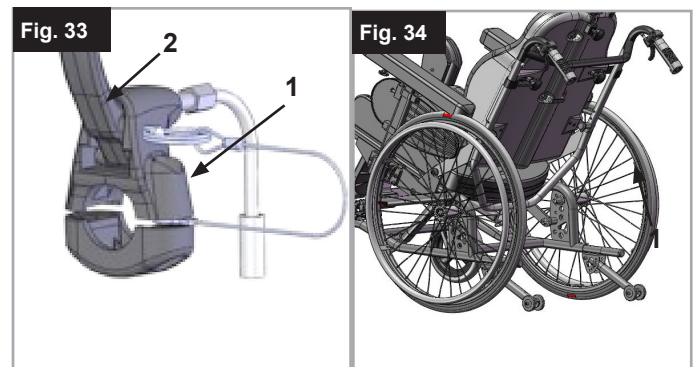
- Den Rückenwinkel keinesfalls verstellen, wenn sich der Rollstuhl an einer Steigung bzw. an einem Gefälle befindet.
- Der winkelverstellbare Sitz darf nur mit Sicherheitsrädern verwendet werden.

⚠️ WARNUNG!

Beim Verstellen der Armauflagenhöhe besteht Einklemmgefahr für die Finger.

⚠️ VORSICHT!

Um die ordnungsgemäße Funktion der Kabel zu gewährleisten, dürfen sie nie straff gespannt sein.



Optionen – Abduktion

ABDUKTION

Durch Lockern von Schraube (1) kann der Abduktionskeil in der Höhe verstellt werden und durch Lockern der Schrauben (2) kann er in der Tiefe verstellt oder abgenommen werden (Fig.35).

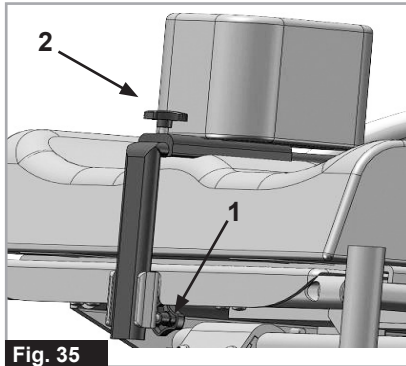


Fig. 35

Optionen - Schiebegriffe

HÖHENVERSTELLBARE SCHIEBEGRIFFE

Sie können die Schiebegriffe durch Lockern der Sterngriffe (1) auf eine für Sie geeignete Höhe verstellen. Nach der Höhenverstellung der Schiebegriffe darauf achten, dass die Sterngriffe (1) festgezogen sind (Fig. 36).

GEFAHR!

Wenn die Sterngriffe nicht ganz gesichert sind, besteht beim Heben über Hindernisse Verletzungsgefahr.



Fig. 36

Optionen – Kopfstütze

KOMFORT KOPFSTÜTZE

Die Kopfstütze kann erhöht (1) und sowohl nach vorn als auch nach hinten verstellt werden, (2-3-4). Dazu einfach die entsprechenden Hebel lockern, die Kopfstütze auf die gewünschte Position schieben und wieder festziehen (Fig. 37).

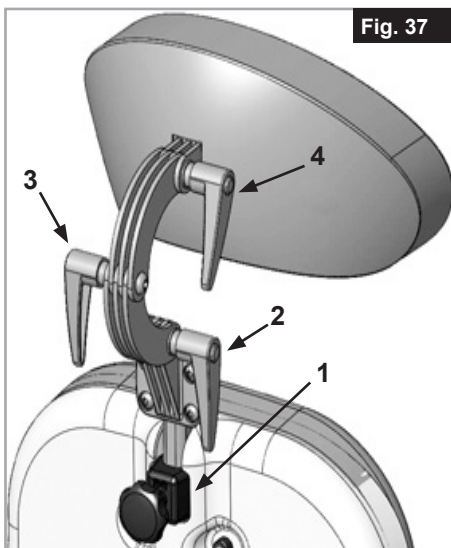


Fig. 37

3-TEILIGE KOPFSTÜTZE

Die Kopfstütze kann erhöht (1) und sowohl nach vorn als auch nach hinten verstellt werden, (2-3-4). Die Mittellinie der Kopfstütze kann ebenfalls verstellt werden (5). Dazu einfach die entsprechenden Hebel/Knöpfe lockern, die Kopfstütze auf die gewünschte Position schieben und wieder festziehen (Fig.38-39).

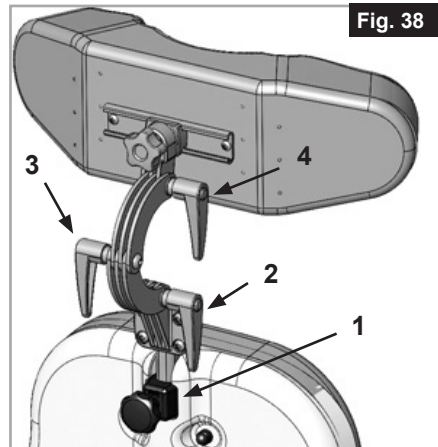


Fig. 38

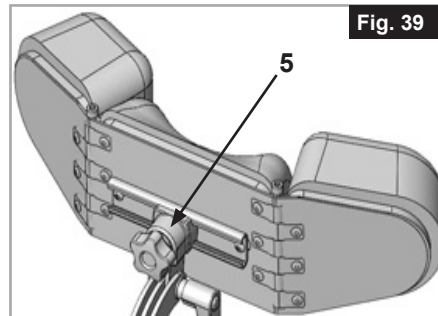


Fig. 39

Optionen - Therapietisch

THERAPIETISCH

Der Therapietisch bietet eine Arbeitsfläche für die meisten Aktivitäten. Das Tablett muss vor der Benutzung von einem zugelassenen Fachhändler auf die jeweilige Sitzbreite eingestellt werden.

HINWEIS: Bei dieser Einstellung muss der Fahrer im Rollstuhl sitzen, (Fig. 40).

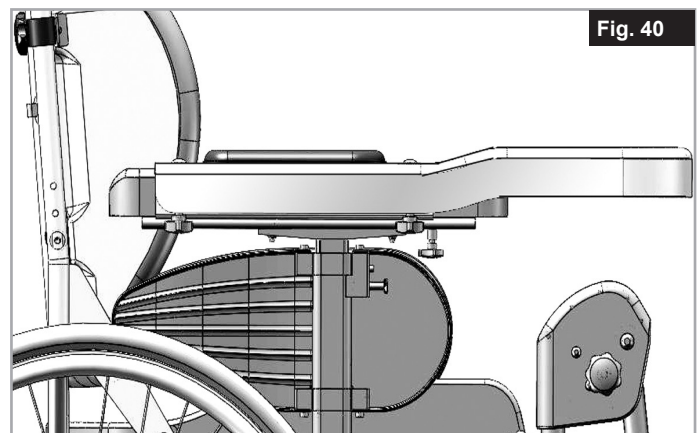










Fig. 40





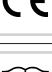

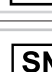



Typenschild

TYPENSCHILD


Das Namenschild befindet sich entweder unter der Kreuzstrebenheit oder am diagonalen Rahmenrohr, auch auf dem Benutzerhandbuch befindet sich ein entsprechendes Etikett. Auf dem Namenschild sind das exakte Modell und andere technische Daten angegeben. Wenn Sie ein Ersatzteil bestellen oder einen Anspruch geltend machen, halten Sie bitte folgende Angaben bereit:

MUSTER

		Sunrise Medical GmbH Kahlbachring 2-4 D-69254 Malsch / Germany		XXXX-XX-XX
TYPE:	Wheelchair, Rollstuhl, Fauteil Roulant, Silla de Ruedas		SN	XXXXXXXXXXXXXXXXXX
Relax2	ISO 7176-19:2008			
				
XXX kg	max X°	XXX mm	XXX mm	

Relax2	Produktbezeichnung/Artikelnummer
	Maximale Steigung bzw. maximales Gefälle, das mit den Sicherheitsrädern befahren werden kann, hängt von den Einstellungen des Rollstuhls, der Haltung und den physischen Fähigkeiten des Benutzers ab.
	Sitzbreite.
	Sitztiefe.
	Maximale Zuladung.
	CE-Kennzeichnung.
	Gebrauchsanleitung
	XXXX-XX-XX Herstellungsdatum.
	SN Seriennummer.
	MD Dieses Symbol bedeutet Medizinprodukt.
	Adresse des Herstellers
ISO 7176-19:2008	Crash getestet nach ISO 7176-19:2008

Da wir uns der kontinuierlichen Verbesserung der Konstruktion unserer Rollstühle verschrieben haben, können die technischen Daten etwas von den dargestellten Beispielen abweichen. Bei allen Angaben zu Gewichten/Abmessungen und Leistung handelt es sich um annähernde Werte und sie sind ausschließlich zur Information gedacht. SUNRISE MEDICAL erklärt als Hersteller, dass die Rollstühle mit der Medizinprodukteverordnung (2017/745) der EU konform sind.

 Alle Rollstühle müssen gemäß den Leitlinien des Herstellers benutzt werden.

Sunrise Medical GmbH
Kahlbachring 2-4
69254 Malsch/Heidelberg
Deutschland
Tel.: +49 (0) 7253/980-0
Fax: +49 (0) 7253/980-222
kundenservice@sunrisemedical.de
www.SunriseMedical.de

Tägliche Überprüfungen

VORSICHT!

Als Benutzer bemerken Sie mögliche Schäden als Erstes. Wir empfehlen daher, dass Sie vor jeder Benutzung die Punkte in der folgenden Liste überprüfen:

- Überprüfen Sie den korrekten Reifendruck.
- Überprüfen Sie, dass die Feststellbremsen richtig funktionieren.
- Überprüfen Sie, ob alle abnehmbaren Teile sicher befestigt sind, z.B. Armlehnen, Fußrasten, Steckachsen usw.
- Überprüfen Sie den Rollstuhl auf sichtbare Schäden, z.B. an Rahmen, Rückenlehne, Sitz- und Rückenbespannung, Rädern, Fußplatte usw.
- Sollten Sie Schäden oder Funktionsfehler feststellen, wenden Sie sich bitte an Ihren autorisierten Fachhändler.

Reifen und Montage

REIFEN UND MONTAGE

Vollgummireifen werden werksseitig als Standardausstattung eingebaut.

Stellen Sie bei Luftreifen sicher, dass die Reifen immer den korrekten Luftdruck aufweisen, da sonst die Leistung des Rollstuhls beeinträchtigt werden kann. Wenn der Druck zu niedrig ist, erhöht sich die Reibung beim Fahren, und der Antrieb erfordert größeren Kraftaufwand. Auch die Manövrierfähigkeit wird von einem zu niedrigen Reifendruck beeinträchtigt. Wenn der Druck zu hoch ist, kann der Reifen platzen. Auf der Reifenoberfläche ist jeweils der korrekte Luftdruck angegeben, (Max. 3,5 bar).

Die Reifen werden wie gewöhnliche Fahrradreifen montiert. Bevor Sie den inneren Schlauch einlegen, achten Sie darauf, dass die Felge und die Innenseite des Reifens von Schmutzpartikeln frei sind. Nach der Montage oder Reparatur des Reifens, muss der Luftdruck geprüft werden. Für Ihre eigene Sicherheit und für die optimale Leistung des Stuhls ist es äußerst wichtig, dass sich die Reifen in gutem Zustand befinden und den vorgeschriebenen Druck aufweisen.

Wartung und Pflege

WARTUNG

- Prüfen Sie alle 4 Wochen den Reifendruck. Prüfen Sie alle Reifen auf Abnutzung und Schäden.
- Überprüfen Sie die Feststellbremsen etwa alle 4 Wochen, um sicherzustellen, dass sie richtig funktionieren und leicht zu bedienen sind.
- Wechseln Sie die Reifen, so wie Sie dies mit gewöhnlichen Fahrradreifen machen würden.
- Alle Gelenke, die für den Gebrauch des Rollstuhls wichtig sind, besitzen selbstsichernde Muttern.
- Prüfen Sie alle drei Monate, ob alle Bolzen fest sitzen, (siehe unter Drehmoment).
- Selbstsichernde Muttern sollten nur einmal verwendet und dann ausgewechselt werden.
- Verwenden Sie nur milde Reinigungsmittel, wenn der Rollstuhl schmutzig ist. Zum Reinigen der Sitzbespannung nur Wasser und Seife benutzen.
- Sollte Ihr Rollstuhl nass werden, trocknen Sie ihn bitte nach dem Gebrauch ab, um Rostbildung und Korrosion durch Salz zu verhindern.
- Alle 8 Wochen sollten die Schnellverschlussachsen mit etwas Nähmaschinenöl geschmiert werden. Je nach der Häufigkeit und Art der Benutzung, empfehlen wir das Sitzschalenuntergestell alle 12 Monate vom ausgebildeten Personal des zugelassenen Fachhändlers warten zu lassen.

VORSICHT!

Durch Sand und Meerwasser (oder Salz im Winter) können die Lager der vorderen und hinteren Räder beschädigt werden. Reinigen Sie den Rollstuhl gründlich, wenn er solchen Bedingungen ausgesetzt war.

Die folgenden Teile können abgenommen werden und an den Hersteller / Händler zur Reparatur geschickt werden: Antriebsräder, Armlehne, Fußrastenhalter, Sicherheitsräder. Diese Bauteile sind als Ersatzteile erhältlich. Weitere Informationen dazu entnehmen Sie dem Ersatzteilkatalog.

HYGIENE BEI WIEDEREINSATZ:

Im Falle eines Wiedereinsatzes sollte dieser Rollstuhl durch eine sorgfältige Wisch- und Sprühdesinfektion aller Flächen, die potentiell mit dem Benutzer in Kontakt kommen können, hygienisch aufbereitet werden.

Wenn eine schnelle Wirkung benötigt ist, muss dafür ein flüssiges Desinfektionsmittel auf Alkoholbasis für medizinische Produkte und Geräte verwendet werden. Bitte beachten Sie die Gebrauchsanweisung des Herstellers für das Desinfektionsmittel, das Sie benutzen.

Bei Nähten kann eine sichere Desinfektion generell nicht gewährleistet werden. Wir empfehlen daher, Sitz- und Rückenbespannung im Falle einer mikrobiellen Kontamination mit Erregern nach § 6 des Infektionsschutzgesetzes zu entsorgen.

VERSTAUUNG

Den Rollstuhl bitte trocken lagern bzw. aufbewahren.

Fehlersuche

ROLLSTUHL HAT DRALL NACH EINER SEITE

- Reifendruck überprüfen (nur bei Luftreifen).
- Prüfen, ob sich das Rad reibungslos dreht (Lager, Achse)
- Überprüfen, dass die Lenkradwinkel einheitlich eingestellt sind und die Lenkräder richtig auf dem Boden aufliegen.
- Sicherstellen, dass sich die Lager der Lenkradgabel ungehindert drehen können.

LENKRÄDER BEGINNEN ZU FLATTERN

- Winkel der Lenkräder überprüfen
- Prüfen, ob alle Schrauben fest sitzen; wenn nötig nachziehen (siehe unter Drehmoment).
- Prüfen, ob beide Lenkräder den richtigen Bodenkontakt haben

ROLLSTUHL QUIETSCHT UND KLAPPERT

- Prüfen, ob alle Schrauben fest sitzen; wenn nötig nachziehen (siehe unter Drehmoment).
- Etwas Schmieröl auf die Stellen träufeln, wo bewegliche Teile miteinander in Kontakt kommen

SITZSCHALENUNTERGESTELL FÄNGT AN, ZU SCHLINGERN

- Den Winkel der Laufradbefestigung prüfen
- Reifendruck prüfen
- Prüfen, ob die Hinterräder vielleicht unterschiedlich eingestellt sind.

STOSSDÄMPFER UND KABEL



VORSICHT!

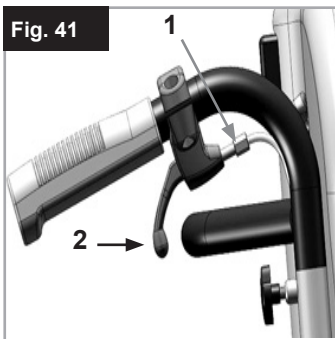
Um die ordnungsgemäße Funktion zu gewährleisten, müssen Sie sicherstellen, dass die Kabel nie zu straff gespannt sind.

PROBLEM:

Spiel im Hebel

LÖSUNG:

Die Stellschraube (1) lockern, bis der Hebel (2) kein Spiel mehr hat (Fig. 41).



oder gewartet.

EINSTELLEN DES SITZWINKELS

PROBLEM:

Der Sitz bewegt sich aus seiner Position, ohne dass der Stoßdämpferhebel betätigt wird

URSACHE:

Die Bowdenzüge am Stoßdämpfer sind zu stark gespannt.

LÖSUNG:

Die Bowdenzüge mit der Stellschraube (1) einstellen



VORSICHT!

Den Bowdenzug vor Beschädigung (Knicken) schützen. Wenn er geknickt ist, muss er ausgewechselt werden.

Entsorgung / Recycling von Materialien

HINWEIS: Wenn Ihnen der Rollstuhl kostenlos zur Verfügung gestellt wurde, gehört er Ihnen evtl. nicht. Wenn er nicht mehr benötigt wird, befolgen Sie die Anweisungen der Organisation, die das Sitzschalenuntergestell zur Verfügung gestellt hat, um ihn zurückzugeben.

Im Folgenden werden die Materialien beschrieben, die für das Sitzschalenuntergestell verwendet wurden im Hinblick auf die Entsorgung oder das Recycling des Sitzschalenuntergestells und dessen Verpackung. Besondere Vorschriften bezüglich der Entsorgung oder dem Recycling können vor Ort gelten und diese müssen bei der Veranlassung der Entsorgung berücksichtigt werden. (Dazu gehören etwa die Reinigung oder Dekontaminierung des Rollstuhls vor der Entsorgung.)

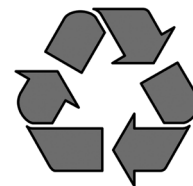
Stahl: Befestigungsteile, Steckachse, Seitenteile, Armlehnen, Rahmen, Fußraste, Schiebegriffe.

Kunststoff: Handgriffe, Lenkradgabeln, Rohrstopfen, Lenkräder, Fußplatten, Armpolster und 12" Rad/Reifen, Räder, Seitenteile.

Verpackung: Plastiktüte aus Polyethylen weich, Karton

Polsterung: Polyestergerewebe mit PVC-Beschichtung und schwer entflammbarem Schaumstoff.

Die Entsorgung oder das Recycling sollte über eine Entsorgungsfirma oder eine öffentliche Entsorgungsstelle erfolgen. Sie können Ihren Rollstuhl zur Entsorgung auch an Ihren Fachhändler zurückgeben.



Avant-propos

Chère cliente, cher client,


Vous avez choisi un produit de SUNRISE MEDICAL de grande qualité. Nous nous en réjouissons.

Ce manuel d'utilisation vous fournira de nombreux conseils et suggestions de sorte que votre produit deviendra pour vous un partenaire familier digne de confiance.

Pour Sunrise Medical, être proche du client est une priorité. C'est pourquoi, nous tenons à vous tenir informé de toutes nos nouveautés, actuelles et à venir. Être proche de nos clients signifie, assurer un service rapide, avec le moins de formalités administratives possible et entretenir une bonne relation avec eux. Que vous souhaitiez commander des pièces de rechange ou des accessoires, ou encore poser des questions concernant votre fauteuil, nous sommes à votre service.

Notre objectif est que vous soyez satisfait de nos services. Chez Sunrise Medical, nous travaillons en permanence au développement de nos produits. Ainsi, des modifications quant à la forme, à la technique et à l'équipement peuvent être apportées à notre gamme de produits. Aucune réclamation ne pourra donc être adressée au sujet des informations et illustrations de ce manuel d'utilisation.

Le système de gestion de SUNRISE MEDICAL est certifié DIN EN ISO 9001, ISO 13485 et ISO 14001.

 En sa qualité de fabricant, SUNRISE MEDICAL, déclare que les fauteuils légers sont conformes au règlement sur les dispositifs médicaux (2017/745).

REMARQUE :

Conseil d'utilisation générale.

Le non-respect des présentes instructions peut causer des blessures physiques, l'endommagement du matériel ou la dégradation de l'environnement.

Avis aux utilisateurs et/ou patients : tout incident grave survenu en relation avec le dispositif doit être signalé au fabricant et à l'autorité compétente de l'État membre dans lequel l'utilisateur et/ou le patient est établi.

Adaptations spéciales pour B4Me

Afin de vous assurer que votre produit B4Me fonctionne de manière performante comme prévu par le fabricant, Sunrise Medical vous recommande vivement de lire et de comprendre toutes les informations utilisateur fournies avec votre produit B4Me avant de l'utiliser pour la première fois.

Sunrise Medical recommande également que les informations utilisateur ne soient pas jetées après leur lecture, mais qu'elles soient conservées en toute sécurité afin d'être consultées ultérieurement.

Combinaison de dispositifs médicaux

Il est possible de combiner le présent dispositif médical avec un ou plusieurs autres dispositifs ou produits. Vous trouverez sur www.Sunrisemedical.fr toutes les informations utiles sur les combinaisons possibles. Toutes les combinaisons présentées ont été validées et sont conformes aux exigences générales en matière de sécurité et de performances énoncées dans annexe I No. 14.1 du règlement 2017/745 relatif aux dispositifs médicaux.

Vous trouverez des conseils sur la combinaison, relatifs par exemple au montage, sur www.SunriseMedical.fr

Adressez-vous à notre service après-vente SUNRISE MEDICAL, compétent et agréé, pour toute question concernant l'utilisation, la maintenance ou la sécurité de votre fauteuil roulant.

S'il n'y a aucun revendeur près de chez vous ou si vous avez des questions, contactez-nous par courrier ou par téléphone à l'adresse suivante.

Sunrise Medical S.A.S
ZAC de la Vrillonnerie
17 Rue Mickaël Faraday
37170 Chambray-Lès-Tours
Tel : + 33 (0) 247554400
Fax : +30 (0) 247554403
www.sunrisemedical.fr



IMPORTANT :

N'UTILISEZ PAS VOTRE FAUTEUIL AVANT D'AVOIR LU ET COMPRIS CE MANUEL.

Utilisation

Les fauteuils roulants sont exclusivement destinés aux utilisateurs dans l'incapacité de marcher ou à mobilité restreinte et pour leur propre usage, qu'ils soient capables de faire avancer leur fauteuil seuls ou qu'ils soient poussés par une tierce personne (un accompagnateur), à leur domicile et à l'extérieur.

La charge maximale (à savoir le poids de l'utilisateur et des accessoires éventuellement embarqués) est indiquée sur la plaque signalétique apposée sur le croisillon ou sur la barre de stabilisation, en dessous du siège.

La garantie n'est valable que si le produit est utilisé dans les conditions spécifiées et pour l'usage pour lequel il est prévu. La durée de vie prévue pour ce fauteuil est de cinq années. SEULES LES PIÈCES STANDARD et les pièces officiellement autorisées par Sunrise Medical peuvent être utilisées.

Champ d'application.

Indications

De par la diversité des options de montage et sa conception modulaire, ce fauteuil convient pour les personnes dans l'incapacité de marcher ou à mobilité restreinte, suite à :

- Une paralysie
- La perte d'un membre (amputation de la jambe)
- La difformité d'un membre
- Des contractures/blessures aux articulations
- Pour les maladies telles que les déficiences cardiaques et circulatoires, la perturbation de l'équilibre ou la cachexie, les profils de maladies neurologiques, la dystrophie musculaire, l'hémiplégie ainsi que pour les personnes âgées qui ont encore de la force dans le haut du corps.

Contre-indications

Le fauteuil roulant ne peut être utilisé sans accompagnateur dans les cas suivants :

- Trouble de la perception
- Déséquilibre
- Perte des deux bras, sans le soutien d'un soignant
- Contracture articulaire ou dommages articulaires au niveau des deux bras
- Incapacité à s'asseoir





Sélectionner le bon fauteuil nécessite de prendre en compte des éléments tels que la taille de l'utilisateur, son poids, sa constitution physique et psychologique, son âge, son mode de vie et son environnement.

Sommaire

Sommaire	44
Consignes de sécurité et de conduite	45
Garantie	47
Transportabilité	48
Manipulation	50
Options – Leviers de basculement	50
Options – Freins d'immobilisation	50
Options - Palettes	51
Options - Support pour personnes amputées	52
Options - Repose-jambe	52
Options – Roues avant	52
Options – Adaptateur de roulettes	53
Options - Dossier	53
Options - Protège-vêtement	54
Options – Accoudoirs pour personne hémiplegique	54
Options - Roulettes anti-bascule	54
Options – Ceinture sous-abdominale	55
Options - Siège	56
Options - Abduction	57
Options – Poignées de poussée	57
Options – Appui-tête	57
Options - Tablette thérapeutique	57
Plaque signalétique	58
Contrôles quotidiens	58
Pneus et montage des pneus	59
Maintenance et entretien	59
Dépannage	60
Mise au rebut / Recyclage des matériaux	60

Définitions

3.1 Définitions des termes employés dans le manuel

Terme	Définition
 DANGER !	Indication d'un risque potentiel de blessures sérieuses ou de mort en cas de non-respect des consignes
 AVERTISSEMENT !	Indication d'un risque potentiel de blessure en cas de non-respect des consignes
 ATTENTION !	Indication que le matériel peut être endommagé si le conseil fourni n'est pas suivi
REMARQUE :	Conseil d'ordre général ou pratique recommandée
	Référence faite à d'autres manuels

REMARQUE :

Il est possible que les fauteuils illustrés et décrits dans le présent manuel ne soient pas complètement identiques au modèle que vous avez acheté. Toutefois, toutes les instructions fournies dans le présent manuel sont valables pour votre matériel, malgré d'éventuelles différences minimales. Le fabricant se réserve le droit de modifier sans préavis les poids, mesures et autres données techniques indiquées dans le présent manuel. Tous les chiffres, dimensions et capacités indiqués dans ce manuel sont approximatifs et ne constituent pas des caractéristiques.

REMARQUE :

Il vous est conseillé de noter dans l'encadré prévu ci-dessous les coordonnées du technicien chargé de votre service après-vente. En cas de panne, contactez-le en lui donnant le plus d'informations possible sur la nature de la panne pour qu'il puisse vous aider efficacement et rapidement.

Tampon et signature du revendeur

Consignes de sécurité et de conduite

La conception et la construction du fauteuil sont réalisées pour garantir une sécurité maximale. A l'échelle internationale, toutes les exigences applicables en matière de normes de sécurité sont respectées, voire dépassées.

Toutefois, l'utilisateur peut se mettre en situation de danger en utilisant son fauteuil de façon incorrecte. Pour votre sécurité, vous devrez impérativement respecter les consignes suivantes. Les altérations ou réglages non professionnels ou erronés augmentent le risque d'accidents. En tant qu'utilisateur de fauteuil roulant, vous participez à la circulation publique, sur routes ou trottoirs. Vous êtes par conséquent tenu de respecter le code de la route.

Lors de votre première utilisation du fauteuil, roulez prudemment. Familiarisez-vous avec l'utilisation de votre nouveau fauteuil roulant.

Avant chaque utilisation de votre fauteuil, contrôlez impérativement :

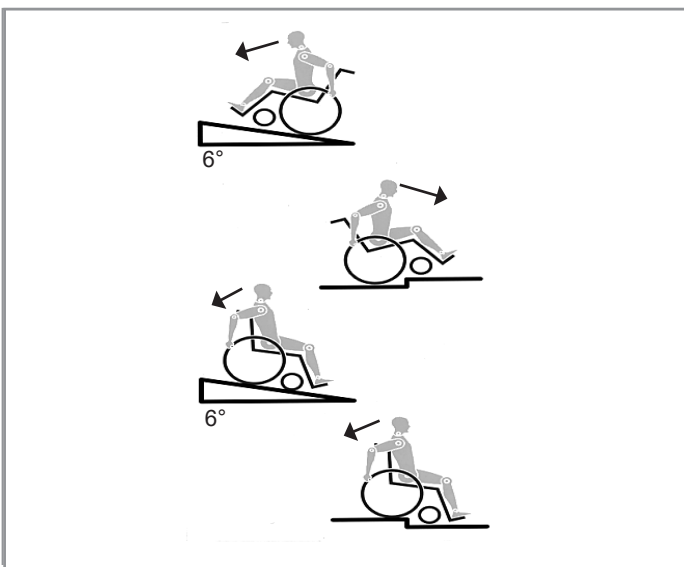
- Les axes fixes ou les axes à déverrouillage rapide sur les roues arrière.
- Le Velcro des sièges et des dossiers
- Les pneus, la pression et les freins.

Avant de modifier un quelconque réglage, il est important de lire le paragraphe correspondant du présent manuel d'utilisation. Des nids de poule ou un sol irrégulier peuvent faire basculer le fauteuil roulant lors de la montée ou de la descente des pentes. Si une marche ou une pente est abordée de face, le corps doit être incliné vers l'avant.

DANGER !

- Ne dépassez JAMAIS la charge maximale de 145 kg (XL=170 kg) combinée entre l'utilisateur et tout autre accessoire éventuellement embarqué. Toute charge supérieure pourrait endommager le fauteuil ou vous faire basculer, perdre le contrôle et entraîner de graves blessures pour vous et toute autre personne.
- Dans la pénombre, portez des vêtements clairs ou réfléchissants de sorte à être vu par les autres usagers de la route. Veillez à ce que les réflecteurs latéraux et arrière du fauteuil restent bien visibles.
- Il est également recommandé d'installer une lumière.
- Pour éviter les chutes et situations dangereuses, il est recommandé de vous entraîner et de vous familiariser avec votre nouveau fauteuil sur une surface plane offrant une bonne visibilité.
- Pour monter et descendre du fauteuil, ne prenez pas appui sur les palettes.
- Il convient au contraire de les rabattre et de les pivoter vers l'extérieur le plus possible. Placez-vous toujours le plus près possible de l'endroit où vous voulez accéder.

- Utilisez toujours votre fauteuil avec prudence. Evitez par exemple de franchir des obstacles sans avoir préalablement ralenti (marche, bord de trottoir).
- Les freins d'immobilisation ne sont pas prévus pour ralentir et arrêter un fauteuil en déplacement. Ils empêchent votre fauteuil d'avancer involontairement. Lorsque vous vous arrêtez sur un terrain accidenté, engagez impérativement vos freins d'immobilisation afin d'éviter tout mouvement accidentel du fauteuil. Pensez toujours à actionner les deux freins simultanément, autrement votre fauteuil pourrait basculer.
- Changer le centre de gravité peut avoir un impact sur le comportement du fauteuil dont vous devez être conscient. Il est recommandé de vous entraîner, par exemple en pente ou lors du franchissement d'obstacles. Familiarisez-vous avec les différents comportements en présence d'un accompagnateur.
- Avec des réglages extrêmes (comme les roues arrière en position la plus avancée possible) et une posture inadéquate, le fauteuil risque de basculer, même sur une surface plane.
- Lorsque vous franchissez des côtes et des marches, penchez votre corps plus en avant.
- Lorsque vous descendez des côtes et des marches, penchez votre corps plus en arrière. Ne tentez jamais de monter ou de descendre une pente en diagonal.
- Evitez d'utiliser les escalators. En cas de chute, vous pourriez vous blesser gravement.
- N'utilisez pas le fauteuil sur des pentes de plus de 6° d'inclinaison. Le degré d'inclinaison maximum des pentes dépend de la configuration du fauteuil, des capacités de l'utilisateur et du style de conduite. Les capacités de l'utilisateur et son style de conduite ne pouvant être prédéfinis, le degré d'inclinaison maximum des pentes ne peut être déterminé. Il revient donc à l'utilisateur, assisté de son accompagnateur, de déterminer l'inclinaison maximale afin d'éviter tout risque de basculement. Il est vivement recommandé d'installer des roulettes anti-basculer pour les utilisateurs inexpérimentés.
- Des nids de poule ou un sol irrégulier peuvent faire basculer le fauteuil roulant lors de la montée ou de la descente des pentes.
- N'utilisez pas le fauteuil sur des terrains boueux ou verglacés.
- N'utilisez pas le fauteuil dans des zones interdites aux piétons.
- Pour éviter de vous blesser aux mains, ne placez pas vos doigts entre les rayons ou entre la roue arrière et le frein de la roue lorsque le fauteuil est en déplacement.
- Si vous utilisez une main courante métallique et freinez dans une longue pente ou pour réduire votre allure, le frottement peut chauffer la main courante et vous brûler les doigts.
- Ne montez et descendez les escaliers que si vous êtes accompagné. Des équipements à cet effet sont à votre disposition, comme les rampes d'accès et les ascenseurs. Utilisez-les. En l'absence de tels équipements, deux personnes sont nécessaires pour faire basculer le fauteuil et lui faire franchir les marches une à une en le poussant, et non pas en le soulevant. Cette technique n'est pas recommandée pour les utilisateurs de plus de 100 kg. En général, en présence de roulettes anti-basculer, il convient de les régler de sorte qu'elles ne puissent heurter les marches, car cela pourrait entraîner une grave chute. Remplacez ensuite les roulettes anti-basculer à leur position normale.



DANGER !

- L'accompagnateur doit toujours tenir le fauteuil par les parties fixes et non pas par les parties amovibles (comme les repose-pieds ou les protège-vêtement).
- Lors de l'utilisation d'une rampe d'accès, pensez à positionner les roulettes anti-bascule (le cas échéant) en dehors de la zone à risque.
- Immobilisez toujours votre fauteuil à l'aide des freins lorsqu'il se trouve sur une surface accidentée ou lorsque vous montez dessus ou en descendez.
- Lors de l'utilisation d'une rampe d'accès, pensez à positionner les roulettes anti-bascule (le cas échéant) en dehors de la zone à risque.
- Immobilisez toujours votre fauteuil à l'aide des freins lorsqu'il se trouve sur une surface accidentée ou lorsque vous montez dessus ou en descendez.
- Dans la mesure du possible, au cours d'un déplacement à bord d'un véhicule pour personnes handicapées, il est conseillé aux occupants de s'asseoir sur les sièges et d'utiliser le système de retenue approprié. C'est le seul moyen d'assurer une protection optimale aux occupants en cas d'accident.
- Selon le diamètre et le réglage des roues avant, ainsi que le centre de gravité du fauteuil, les roues avant peuvent se mettre à vibrer à mesure que la vitesse du fauteuil augmente. Les roues avant risquent alors de se bloquer et le fauteuil de basculer. Il est donc essentiel de régler correctement les roues avant (voir le chapitre "Roues avant").
- Il est recommandé aux utilisateurs inexpérimentés d'utiliser des roulettes anti-bascule.
- Les roulettes anti-bascule empêchent le fauteuil de basculer accidentellement vers l'arrière. En aucun cas, elles ne doivent remplacer les roulettes de transit et servir au transport d'une personne dans un fauteuil dont les roues arrière auraient été retirées.
- Si vous souhaitez atteindre un objet (placé devant, derrière ou latéralement par rapport au fauteuil), évitez de trop vous pencher afin de ne pas modifier le centre de gravité et risquer de faire basculer le fauteuil. La présence d'une charge supplémentaire (sac à dos ou objets similaires) sur les montants arrière du dossier peut avoir un impact sur la stabilité de votre fauteuil (surtout si le dossier est incliné en arrière) et peut faire basculer le fauteuil en arrière et entraîner des blessures.
- Pour les personnes amputées d'un ou des membres inférieurs, il est impératif d'utiliser les roulettes anti-bascule.
- Avant d'utiliser votre fauteuil, vérifiez la pression des pneus. Pour les roues arrière, la pression doit être au moins de 3,5 bars (350 kPa). La pression maximale est indiquée sur la jante des pneus. Le frein d'immobilisation à levier à hauteur du genou ne fonctionne que si la pression des pneus est suffisante et si le réglage est correct (voir le chapitre sur les "Freins").
- Si les toiles du dossier et du siège sont abîmées, remplacez-les immédiatement.

- Soyez très vigilants avec les risques d'incendie, surtout avec les cigarettes allumées. Les toiles du dossier et du siège peuvent prendre feu.
- Si le fauteuil est exposé au soleil / à une température basse pendant une période prolongée, certaines parties du fauteuil (par ex. le châssis, les repose-jambes, les freins d'immobilisation et les protège-vêtement) peuvent chauffer (>41°C) / devenir très froides (<0 °C).
- Le cas échéant, vérifiez que les axes à déverrouillage rapide des roues arrière sont bien réglés et enclenchés (les roulements à bille verrouillés ressortent complètement du manchon d'essieu). Si le bouton de l'axe à déverrouillage rapide n'est pas enfoncé, vous ne pouvez pas enlever la roue arrière.

ATTENTION !

- L'efficacité du frein à débattement court et des caractéristiques de conduite générales dépend de la pression des pneus. Le fauteuil sera considérablement plus léger et plus facile à manœuvrer si les pneus des roues arrière sont correctement gonflés et ont la même pression.
- Vérifiez la sculpture des pneus.
- N'oubliez pas que lorsque vous vous déplacez au milieu de la circulation, vous devez respecter toutes les réglementations relatives au code de la route.
- Manipulez et ajustez toujours le fauteuil avec prudence.
- Les réglages du fauteuil nécessitant l'utilisation d'outils doivent être effectués par les revendeurs agréés.
- Nettoyez régulièrement votre fauteuil pour éviter l'apparition de rouille et la corrosion par le sel.
- Inspectez les rivets, écrous et boulons afin de vérifier qu'ils sont bien serrés et qu'aucune pièce du fauteuil ne se desserrera.
- Comme avec toutes les pièces amovibles, toute intervention présente le risque de se coincer les doigts. Manipulez le fauteuil avec précaution.
- Il est possible que les produits illustrés et décrits dans le présent manuel ne soient pas complètement identiques au modèle que vous avez acheté. Toutefois, toutes les instructions fournies dans le présent manuel sont valables pour votre matériel, malgré les éventuelles différences minimales.
- Le fabricant se réserve le droit de modifier sans préavis les poids, mesures et autres données techniques indiquées dans le présent manuel. Tous les chiffres, dimensions et capacités indiqués dans ce manuel sont approximatifs et ne constituent pas des caractéristiques.

DANGER !

RISQUE D'ÉTOUFFEMENT – Ce siège est composé de petites pièces qui, dans certaines conditions, peuvent présenter un risque d'étouffement pour les jeunes enfants.

DURÉE DE VIE

La durée de vie anticipée de ce produit est de 5 années, dans la mesure où :

Il est utilisé conformément à l'usage pour lequel il est prévu
Tous les impératifs d'entretien et de maintenance sont respectés.

GARANTIE**CELA N'AFECTE EN AUCUN CAS VOS DROITS LEGAUX.**

La garantie de Sunrise Medical* est détaillée dans les conditions de garantie suivantes :

Conditions de garantie

1. Si une ou plusieurs pièces devaient être remplacées ou réparées suite à un vice de fabrication et/ou de matériel dans les 24 mois (5 ans pour le châssis ou le croisillon) suivant la livraison au client, la ou les pièces seront remplacées ou réparées gratuitement. (Les batteries sont garanties pendant une période de 12 mois dans la mesure où les recommandations pour les batteries ont été respectées)
2. Pour faire jouer la garantie, veuillez contacter le service client Sunrise Medical afin de préciser la nature du problème. En cas d'utilisation du fauteuil dans une zone située en dehors du territoire du service après-vente (revendeur) Sunrise Medical, les réparations ou remplacements seront assurés par un autre service après-vente désigné par le fabricant. Le fauteuil doit être réparé par un service après-vente désigné par Sunrise Medical.
3. Toute pièce réparée ou échangée dans le cadre de la garantie est couverte par la garantie pour la période restante conformément au point 1.
4. Concernant les pièces détachées d'origine installées ultérieurement et au frais du client, celles-ci sont couvertes par une garantie de 12 mois (à compter de l'installation), conformément aux présentes conditions de garantie.
5. Les pièces consommables, telles les manchettes, les pneus, les chambres à air et autres pièces similaires, ne sont pas couvertes par la garantie, à moins que l'usure prématurée de la pièce soit le résultat direct d'un défaut de fabrication.
6. La garantie ne peut être actionnée si la réparation ou l'échange du fauteuil ou d'une pièce découle de l'un des cas de figure suivants :
 - a) Le produit n'a pas été entretenu ou révisé conformément aux recommandations du fabricant, telles qu'indiquées dans le manuel d'utilisation et/ou les notices d'entretien.
 - b) Les accessoires utilisés ne sont pas des accessoires d'origine.
 - c) Le fauteuil roulant - ou l'une de ses pièces - a été endommagé suite à un mauvais entretien, à un accident ou à une utilisation inadéquate.
 - d) Des changements/modifications non conformes aux spécifications du fabricant ont été effectués sur le fauteuil ou des pièces.
 - e) Les réparations ont été effectuées avant d'en avoir informé le service client.
7. Cette garantie est soumise à la loi du pays d'achat du produit auprès de Sunrise Medical*

* C'est-à-dire le site Sunrise Medical depuis lequel le produit a été acheté.

Transportabilité

DANGER !

Il y a risque de blessures sérieuses ou de mort si ce conseil n'est pas respecté.

Transport de votre fauteuil roulant dans un véhicule :

Un fauteuil roulant arrimé dans un véhicule n'assurera pas le même niveau de sécurité que les sièges du véhicule. Il est toujours recommandé que l'utilisateur soit transféré au siège du véhicule. Sunrise Medical reconnaît qu'il n'est pas toujours facile de transférer l'utilisateur et dans une telle situation où l'utilisateur doit être transporté tout en étant dans son fauteuil roulant, il convient de suivre les recommandations suivantes :

1. Faites vous confirmer que le véhicule est correctement équipé pour transporter un passager dans un fauteuil roulant, et assurez-vous que la méthode d'accès/de sortie est convenable pour votre type de fauteuil roulant. Le sol du véhicule doit être suffisamment résistant pour supporter le poids de l'utilisateur avec celui du fauteuil roulant et de ses accessoires.
2. Suffisamment d'espace doit être disponible autour du fauteuil afin d'avoir un accès facile pour attacher, serrer et détacher le fauteuil roulant et le dispositif de retenue de l'occupant et les ceintures de sécurité.
3. Le fauteuil doit être placé dans le sens de la marche et être ancré par les points d'arrimage et le système de retenue et de fixation (conforme à la norme ISO 10542 ou SAE J2249) conformément aux instructions du fabricant du système de retenue.
4. L'utilisation du fauteuil à bord d'un véhicule motorisé dans une position autre que celle préconisée n'a pas fait l'objet de tests, ainsi le positionnement latéral du fauteuil ne doit être envisagé en aucun cas (Fig. A).

5. Le fauteuil doit être sécurisé par un système d'arrimage conforme à ISO 10542 ou SAE J2249 avec sangles avant non-réglables et sangles arrière réglables, qui utilise typiquement des mousquetons/crochet en S et des boucles à ardillons. Ces dispositifs de retenue comprennent généralement 4 sangles individuelles qui sont attachées de chaque côté du fauteuil roulant.

6. Ce système d'arrimage doit être fixé au châssis principal du fauteuil roulant comme indiqué dans le schéma à la page suivante, et non pas à des accessoires ou à des points d'attache non prévus à cet effet, c'est-à-dire pas autour aux rayons des roues, aux freins d'immobilisation ou aux repose-pied.

7. Le système de fixation doit être attaché le plus possible à un angle de 45° et tendu conformément aux indications du fabricant.

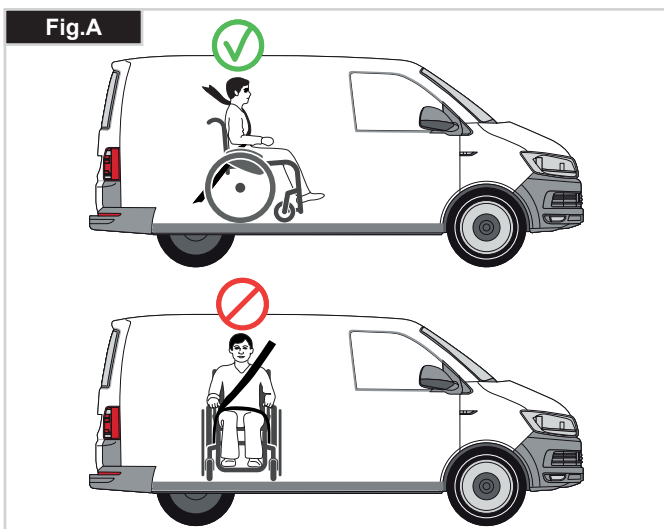
8. Ne modifiez et ne remplacez pas les points d'ancrage du fauteuil, ni les composants structurels sans avoir préalablement demandé l'avis du fabricant, à défaut de quoi le fauteuil Sunrise Medical ne sera pas conforme pour le transport à bord d'un véhicule motorisé.

9. Les deux ceintures de retenue au niveau du bassin et du torse supérieur doivent être utilisées pour retenir le passager afin de réduire la possibilité de choc de la tête ou du torse avec les composants du véhicule et de risques graves de blessures à l'utilisateur et tout autre occupant du véhicule. (Fig. B) La ceinture de retenue du torse supérieur doit être montée au pilier "B" du véhicule - ne pas respecter ceci augmente le risque de blessures abdominales graves à l'utilisateur.

10. Un soutien de tête adéquate pour le transport (voir étiquette de l'appui-tête) doit être installé et doit être dans la position souhaitée à tout moment pendant le transport.

11. Les systèmes de maintien posturaux (sangles sous-abdominales, ceintures sous-abdominales) ne doivent pas servir de système de retenue dans un véhicule en déplacement, à moins qu'ils ne soient conformes à la norme ISO 7176-19:2001 ou SAE J2249, ce qui doit être spécifiquement indiqué sur l'étiquette.

12. La sécurité de l'utilisateur pendant son transport dépend de la vigilance de la personne sécurisant le système d'arrimage et cette personne devrait avoir reçu des instructions appropriées et/ou une formation sur leur utilisation.



Transportabilité

13. Dans la mesure du possible, retirez du fauteuil et rangez tous les accessoires et équipements auxiliaires, comme par exemple : Les cannes, les coussins amovibles et les tablettes.

14. Vous ne devez pas utiliser les repose-jambe articulés/élévateurs en position élevée quand le fauteuil roulant et l'utilisateur sont transportés et quand le fauteuil roulant est retenu par des dispositifs de retenue pour le transport de fauteuils roulants et de son passager.

15. Les dossiers inclinables doivent être remis en position verticale.

16. Les freins manuels du fauteuil doivent impérativement être enclenchés.

17. Les dispositifs de retenue doivent être montés au pilier "B" du véhicule et ne doivent pas être retenus par des composants du fauteuil roulant tel les accoudoirs ou les roues.

INSTRUCTIONS POUR LE SYSTÈME DE RETENUE DE L'OCCUPANT :

1. La ceinture de retenue du bassin doit être fixée en position basse à travers le bassin de façon à ce que l'angle de la ceinture du bassin soit dans la zone de préférence entre 30 et 75 degrés par rapport à l'horizontal.

Un plus grand angle au sein de la zone de préférence est recommandé c'est-à-dire plus proche de 75°, mais sans jamais cependant dépasser cette limite. (Fig. C)

2. La ceinture thoracique doit passer par-dessus l'épaule et en travers de la poitrine, comme illustré aux Fig. D et E

Les ceintures de retenue doivent être serrées le plus possible, tout en respectant le confort de l'utilisateur.

La sangle de la ceinture de sécurité ne doit pas être entortillée pendant son utilisation.

La ceinture thoracique doit passer par-dessus l'épaule et en travers de l'épaule, comme illustré aux Fig. D et E.

3. Les points de retenue au fauteuil sont le côté interne avant du châssis juste au-dessus de la roue avant et l'arrière du châssis. Les sangles sont fixées autour des flancs de châssis, à l'intersection des tubes de châssis horizontaux et verticaux. (Voir Fig. G-H).

4. Le symbole d'arrimage (Fig. F) sur le châssis du fauteuil roulant indique la position des sangles de retenue du fauteuil roulant. Les sangles sont ensuite tendues après que les sangles avant aient été fixées pour sécuriser le fauteuil roulant.

POSITIONNEMENT DU DISPOSITIF D'ARRIMAGE SUR LE FAUTEUIL ROULANT :

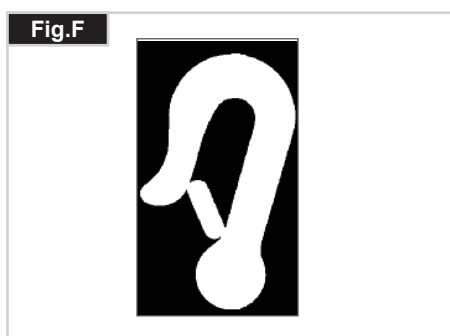
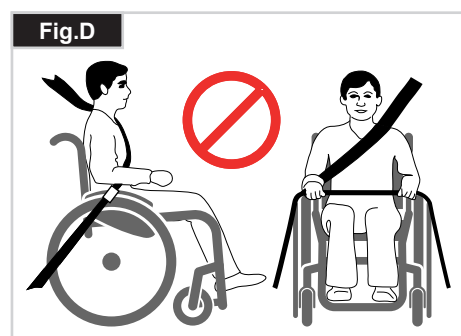
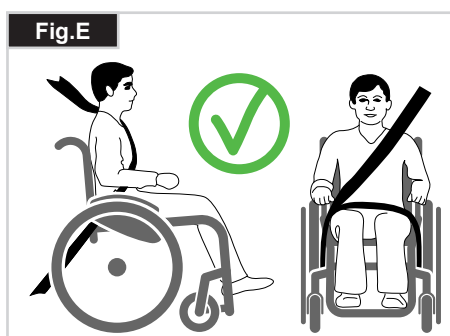
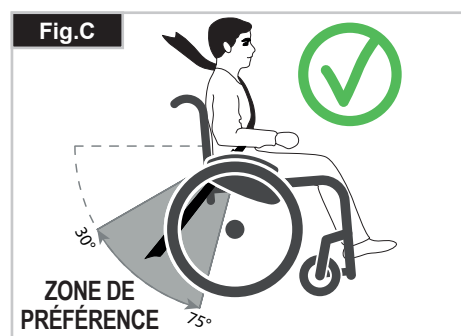
1. Emplacement du système d'arrimage et de l'étiquette d'arrimage à l'avant (Fig. G) et à l'arrière (Fig. H).

UTILISATEUR D'UN POIDS INFÉRIEUR À 22 KG

Si l'utilisateur devant être transporté est un enfant pesant moins de 22 kg et si le véhicule utilisé compte moins de huit (8) passagers assis, il est recommandé d'utiliser un dispositif de retenue pour enfants conforme au règlement 44 de la CEE-ONU. Ce type de dispositif de retenue est un moyen de retenue plus efficace que les dispositifs à trois points, et certains dispositifs de retenue pour enfants assurent également un support postural supplémentaire afin de maintenir la position de l'enfant lorsqu'il est assis.

Les parents ou toute autre personne s'occupant de l'enfant peut, selon le cas, décider de laisser l'enfant dans son fauteuil roulant pendant le transport en raison du niveau de contrôle de la posture ou du niveau de confort assuré par les réglages du fauteuil.

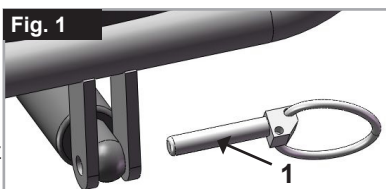
Dans ce cas, nous vous invitons à procéder à une évaluation des risques par le professionnel de santé qui vous suit ou par toute personne compétente dans ce domaine.



Manipulation

PLIAGE DU FAUTEUIL

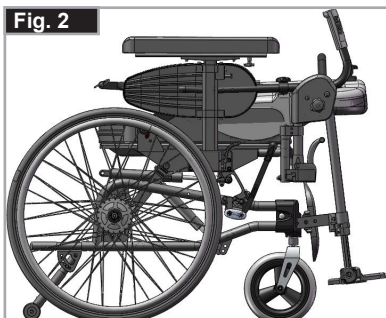
Le dossier se rabat vers l'avant pour faciliter le transport du fauteuil. Bloquez le dossier pour éviter qu'il ne tombe, retirez la goupille de sécurité (1), puis abaissez le dossier vers l'avant.



Pour obtenir une taille encore plus compacte du fauteuil plié, vous pouvez enlever le coussin d'assise et la coque du dossier.

⚠️ AVERTISSEMENT !

Risque de blessure – vous devez impérativement bloquer le dossier avant de tirer le bouton de déverrouillage.



Pour redresser le dossier, dépliez le dossier, puis insérez la goupille.

⚠️ DANGER !

- Risque de blessure – assurez-vous que le dossier est bien en place.
- Assurez-vous que la coque du dossier est bien enclenchée.

AXES À DÉVERROUILLAGE RAPIDE DE LA ROUE ARRIÈRE

Les roues arrière doivent être munies d'axe à déverrouillage rapide. Les roues peuvent être démontées ou montées sans outils. Pour démonter une roue, appuyez sur le bouton à déverrouillage rapide (1) et tirez la roue de l'axe (Fig. 3).



⚠️ ATTENTION !

Lors du montage, appuyez sur le bouton de l'axe à déverrouillage rapide et insérez l'axe dans le canon, tout en conservant le bouton pressé. Relâchez le bouton et la roue est bloquée. Le bouton d'arrêt doit revenir dans sa position de départ.

VOUS ASSEoir DANS VOTRE FAUTEUIL PAR VOUS-MÊME

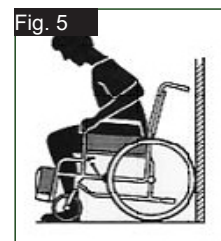
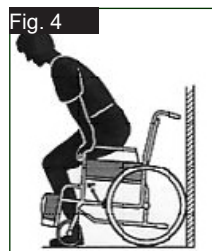
(Fig. 4)

- Placez le fauteuil contre le mur ou contre un meuble relativement lourd ;
- Enclenchez les freins ;
- Remontez les palettes ;
- Abaissez-vous lentement jusqu'à ce que vous soyez assis dans votre fauteuil ;
- Rabaissez les palettes et placez vos pieds dessus, avec la sangle talonnière derrière.

DESCENDRE DE VOTRE FAUTEUIL PAR VOUS-MÊME

(Fig. 5)

- Enclenchez les freins ;
- Remontez les palettes ;
- Posez une main sur chaque accoudoir, penchez-vous légèrement vers l'avant de sorte à basculer le poids de votre corps vers l'avant du fauteuil, posez fermement les deux pieds au sol, l'un derrière l'autre, redressez-vous en poussant sur vos bras.



⚠️ AVERTISSEMENT !

- Ne vous tenez jamais debout sur les palettes car cela aurait pour effet de faire basculer le fauteuil. Il est plus facile et moins risqué de relever les palettes ou de les retirer complètement lorsque vous montez et descendez de votre fauteuil.
- Enclenchez toujours les freins d'immobilisation lorsque vous montez ou descendez du fauteuil.

Options – Leviers de basculement

LEVIERS DE BASCULEMENT

Pour faire basculer un fauteuil roulant par un accompagnateur(-trice) on utilise un levier de basculement. Pressez simplement le levier et vous pourrez monter le fauteuil sur un trottoir (Fig. 6).



⚠️ ATTENTION !

Sunrise Medical recommande vivement d'installer un levier de basculement sur les modèles dotés d'une roulotte de transit et sur tous les modèles où un accompagnateur est essentiellement présent, car l'utilisation répétée du dossier et la force exercée dessus pour incliner le fauteuil et franchir les obstacles aura pour effet d'endommager les montants du dossier.

Options – Freins d'immobilisation

FREINS

Le fauteuil est équipé de deux freins d'immobilisation. Les freins agissent directement sur les pneus. Pour immobiliser votre fauteuil, serrez les deux leviers de freinage jusqu'à la butée avant. Tirez le levier de freinage en arrière pour le relâcher.

L'effet de freinage diminue quand :

- Les sculptures du pneu sont usées
- La pression des pneus est insuffisante
- Les pneus sont humides
- Le frein est mal réglé.

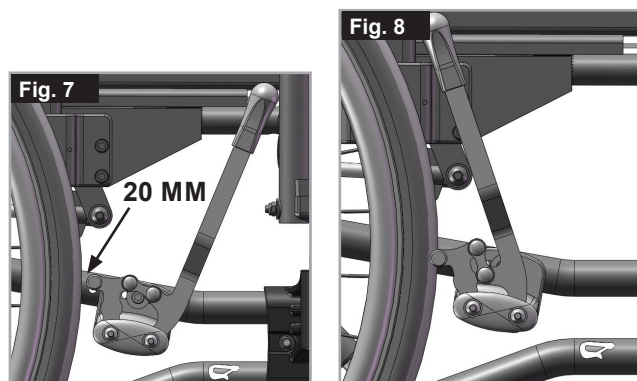
Les freins d'immobilisation ne sont pas destinés à ralentir un fauteuil en déplacement. N'actionnez pas les freins en marche. Freinez toujours à l'aide des mains courantes. Veillez à ce que l'écartement entre le frein et le pneu soit conforme à la valeur indiquée. Pour régler, dévissez la vis et réglez le bon intervalle. Resserrez de nouveau la vis (Fig. 7-8).

ATTENTION !

Après avoir procédé au réglage des roues arrière, vérifiez toujours l'intervalle avec les freins d'immobilisation. Réajustez si nécessaire.

Plus les freins seront montés près de la roue, plus l'effort à fournir pour les actionner sera grand. Cela pourrait casser la rallonge du levier de frein !

Veillez à ne pas prendre appui sur la rallonge du levier lorsque vous montez ou descendez du fauteuil, car vous risqueriez de la casser ! Veillez à ne pas prendre appui sur la rallonge du levier lorsque vous montez ou descendez du fauteuil, car vous risqueriez de la casser !



FREINS À TAMBOUR

Les freins tambour permettent à l'accompagnateur de freiner en toute sécurité et de manière aisée.

Ils peuvent être également montés avec un levier de verrouillage (1) pour éviter qu'ils ne se desserrent accidentellement.

Vous devez entendre le clic du levier de blocage lors de son enclenchement.

Le gonflage des pneus n'a aucune incidence sur les freins tambour (Fig. 9).



AVERTISSEMENT !

- Ne confiez le réglage du frein à tambour au'à un revendeur professionnel.
- Actionnez toujours les 2 freins à tambour simultanément pour garantir une direction de conduite contrôlée.
- Les freins tambour sont un moyen de freinage dynamique destiné exclusivement à immobiliser le fauteuil roulant durant son déplacement.
- Enclenchez toujours les freins d'immobilisation pour les arrêts de courte ou longue durée et lorsque vous montez ou descendez du fauteuil.

Options - Palettes

PALETTES :

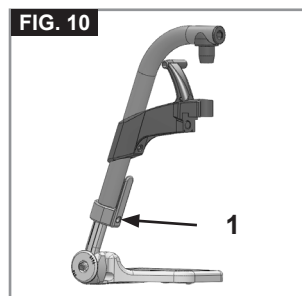
Les repose-pieds peuvent être rabattus pour monter et descendre plus facilement du fauteuil.

LONGUEUR DE LA JAMBE INFÉRIURE :

Pour les utilisateurs de grande taille, la palette peut être abaissée à la position désirée à l'aide des vis (1). Il suffit pour cela de dévisser les vis, de placer les tubes à la position désirée, puis de resserrer les vis (voir la section sur les couples de serrage). Il doit également y avoir un minimum de 5 cm entre le repose-pied et vos talons, (Fig. 10).

REPOSE-PIEDS ET LOQUET

Le repose-jambes est rabattable sous le siège ou vers l'extérieur. Lors du montage du repose-pieds, les repose-pieds doivent être orientées vers l'intérieur ou l'extérieur. Faites-le ensuite pivoter vers l'intérieur jusqu'à ce qu'il s'enclenche. Pour retirer le repose-jambes, tirez sur le levier (1), faites pivoter les repose-pieds vers l'intérieur ou l'extérieur et retirez-le en soulevant. Assurez-vous que le repose-jambe est bien enclenché, (Fig. 11).



ATTENTION !

- Ne jamais soulever ou porter le fauteuil en l'attrapant par le repose-jambes.
- Pour monter et descendre du fauteuil, ne prenez pas appui sur les repose-pied. Il convient au contraire de les relever préalablement ou de basculer le repose-pied vers l'extérieur le plus possible.

Options - Support pour personnes amputées

SUPPORT POUR PERSONNE AMPUTÉE

(Fig. 12).

Le support pour personne amputée se règle dans toutes les directions, selon les besoins.



FIG. 12

Options - Repose-jambe

REPOSE-JAMBES (EN OPTION)

(Fig. 13-15)

Pour retirer le repose-jambes, tirez sur le levier (1), faites pivoter la palette vers l'extérieur, puis soulevez et retirez le repose-jambe.

RÉGLAGE DE LA HAUTEUR :

La longueur de la jambe inférieure peut se régler en desserrant la vis (2). Réglez à la hauteur désirée, puis resserrez la vis.

⚠ ATTENTION !

La distance entre la palette et le sol doit être d'au moins 40 mm.

RÉGLAGE DE L'INCLINAISON :

Efoncez d'une main le levier (3) vers le bas tandis que vous soutenez le repose-jambes avec l'autre main. Une fois l'angle d'inclinaison souhaité obtenu, relâchez le levier. Le repose-jambes s'enclenche alors dans l'une des positions prédéfinies.

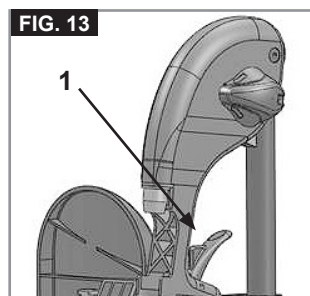


FIG. 13

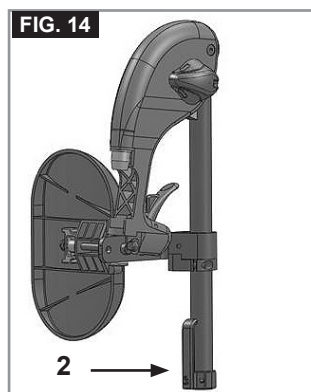


FIG. 14

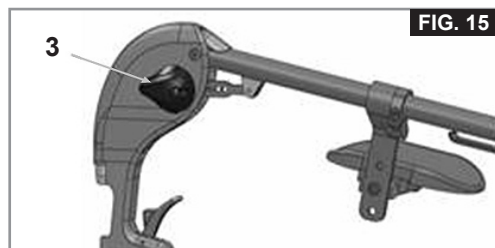


FIG. 15

RÉGLAGE DE L'APPUI-MOLLET

(Fig. 16).

Vous pouvez régler l'appui-mollet de la façon suivante :

Hauteur : Dévissez le boulon (4) et déplacez la patte de serrage à la position désirée. En pivotant la patte de serrage, vous pouvez également régler l'angle d'inclinaison.

Profondeur : Dévissez le boulon (5) et déplacez l'appui-mollet à la position désirée.

Largeur : Dévissez le boulon (5) et placez les entretoises (6) derrière l'appui-mollet de sorte à obtenir la position désirée.

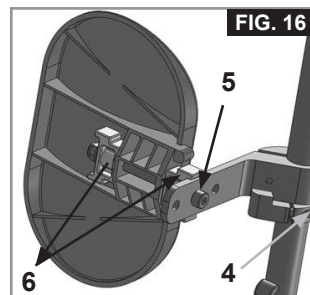


FIG. 16

⚠ AVERTISSEMENT !

- Pendant que vous relevez ou abaissez les repose-pieds, veillez à ne pas vous prendre les doigts dans le mécanisme de réglage situé entre le châssis et les pièces mobiles du repose-pieds.
- Vérifiez que les fixations sont toujours bien serrées.
- Ne soulevez ou portez jamais le fauteuil en l'attrapant par les repose-pieds.
- Ne vous pincez pas les doigts ! Ne mettez pas vos doigts dans le mécanisme de réglage, entre les pièces amovibles des repose-pieds lorsque vous levez ou abaissez ce dernier.

Options – Roues avant

ROUES AVANT, ADAPTATEUR DE ROUE AVANT, FOURCHE DE ROUE AVANT

Le fauteuil peut tirer légèrement à droite ou à gauche ou les roues avant peuvent avoir du jeu. Cela peut être dû aux raisons suivantes :

- Le mouvement avant et arrière des roues n'est pas correctement réglé.
- Mauvais réglage de l'angle des roues avant.
- Gonflage insuffisant des roues avant et/ou des roues arrière. Le roulement des roues en est gêné.
- Le fauteuil ne pourra avancer droit si les roues avant sont mal réglées.

⚠ AVERTISSEMENT !

- Les réglages des roues avant doivent toujours être confiés à un revendeur agréé.
- En cas de modification de la position de la roue arrière, les réglages du frein doivent être contrôlés.

Options – Adaptateur de roulettes

RÉGLAGE DE LA HAUTEUR DU SIÈGE :

La hauteur du siège est déterminée par la position des roues avant et des roues arrière. Vous pouvez régler la hauteur du siège en utilisant des roues arrière de différentes tailles, en modifiant la position des roues arrière et des roues avant, ou en insérant des entretoises.

⚠ ATTENTION !

- Après avoir réglé la hauteur du siège, pensez à resserrer toutes les vis.
- L'angle des roues avant doit être réglé à 90°.
- Par conséquent, la hauteur du siège doit toujours être identique à l'avant et à l'arrière.

Options - Dossier

DOSSIER COMFORT

(Fig. 17 à 19).

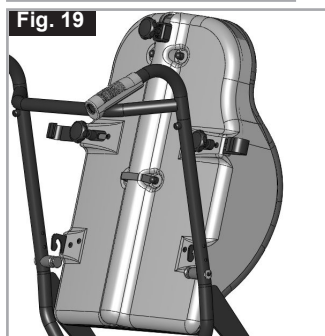
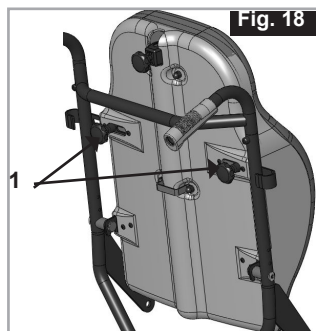
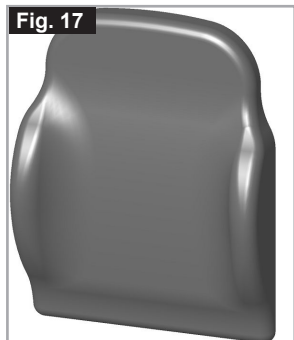
Le dossier Comfort fournit un soutien latéral et une assise confortable lors des utilisations prolongées.

La coque du dossier est amovible. Pour l'enlever, tournez les molette (1) et glissez-les vers l'extérieur. Appuyez la coque vers l'avant et soulevez-la vers le haut. Les crochets se dégageront des montants.

Le coussin est maintenu en place par Velcro et est également amovible.

⚠ AVERTISSEMENT !

Lorsque vous remplacez le dossier, veillez à ce que les crochets soient bien fixés aux montants et bien serrés



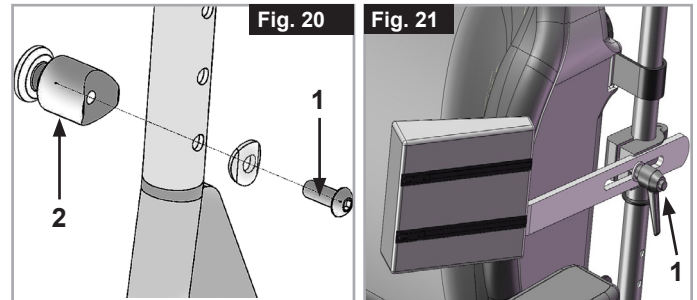
Options - Dossier

DOSSIER À HAUTEUR RÉGLABLE

Vous pouvez régler la hauteur du dossier sur 4 positions différentes. Dévissez et retirez les boulons (1), puis placez les crochets-guides (2) à la position désirée. Revissez les boulons, (Fig. 20).

CALE TRONC

Vous pouvez régler l'angle, la profondeur et la hauteur du support de tronc. Pour l'escamoter, il suffit de tourner le levier de déverrouillage (1). (Fig. 21)



DOSSIER INCLINABLE (0° - 35°)

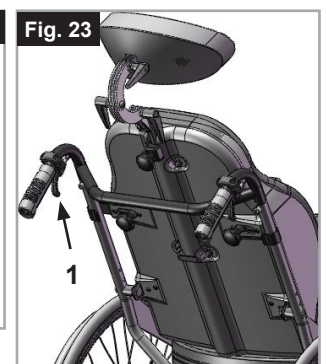
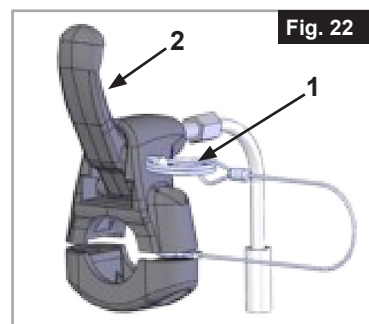
⚠ ATTENTION !

Avant toute manipulation, retirez la goupille de verrouillage (1), (Fig. 22).

En activant le levier (2), vous libérez le dossier. Vous pouvez alors le régler à la position désirée. Dès que vous relâchez le levier (2), le dossier s'enclenche automatiquement (Fig. 23).

⚠ AVERTISSEMENT !

- Il est recommandé d'utiliser le dossier inclinable uniquement en présence des roulettes anti-bascule (maximum 3 - 5 cm de garde au sol).
- Ne réglez jamais le dossier lorsque le fauteuil est en pente.
- Pensez à réinsérer la goupille de verrouillage.



Options - Protège-vêtement

ACCOUDOIRS RÉGLABLES EN HAUTEUR

Pour régler la hauteur, tirez sur le levier (1) et poussez l'accoudoir à la hauteur désirée. Vérifiez ensuite que le levier (1) s'enclenche bien en place. Pour enlever complètement la protection latérale, poussez le levier (2). Lorsque vous installez le protège-vêtement, vous devez également enfoncer le levier (2). Vérifiez toujours que la protection latérale s'enclenche bien dans le tube de logement. (Fig. 24).

AVERTISSEMENT !

Faites attention de ne pas vous coincer les doigts lorsque vous réglez la hauteur des accoudoirs.

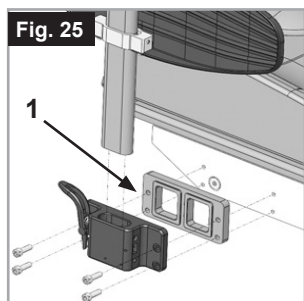
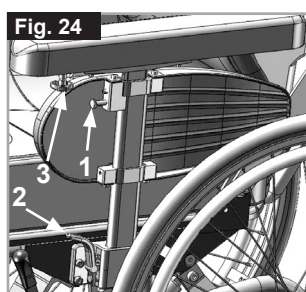
Vous pouvez modifier la position de la manchette. Pour cela, ouvrez la molette (3) et placez la manchette à la position désirée (Fig. 24).

Veillez à bien resserrer la molette.

Afin d'augmenter la largeur d'assise de 2 cm, vous pouvez retirer la manchette interne et/ou ajouter 2 entretoises (1), (Fig. 25).

ATTENTION !

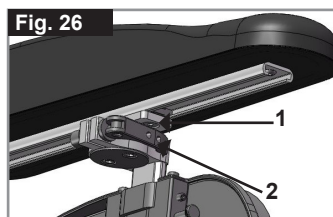
Si vous écartez les accoudoirs, vous devez également écarter les roues arrière (Fig. 25).



Options – Accoudoirs pour personne hémiparalétique

ACCOUDOIR POUR PERSONNE HÉMIPLÉGIQUE

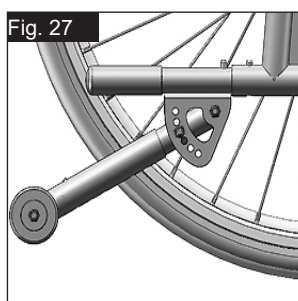
Il est possible de régler la longueur et l'angle d'inclinaison de l'accoudoir hémiparalétique. Après avoir desserrées les 2 vis (1) vous pouvez régler la longueur en appuyant sur l'accoudoir. Pour régler l'angle, ouvrez le levier de déverrouillage (2), pivotez l'accoudoir à la position désirée, puis refermez le levier (Fig. 26).



Options - Roulettes anti-bascule

ROULETTES ANTI-BASCULE

Les roulettes anti-bascule assurent aux utilisateurs inexpérimentés une sécurité renforcée pendant l'apprentissage de leur fauteuil. Ils empêchent le fauteuil de basculer vers l'arrière. Insérez les roulettes anti-bascule dans le montant du châssis jusqu'à ce que le premier des deux boutons à ressort ressorte du premier trou du montant, (Fig. 27).



AVERTISSEMENT !

Un mauvais réglage des roulettes anti-bascule augmente le risque pour le fauteuil de basculer en arrière. Vous devez relever les roulettes anti-bascule lorsque vous franchissez un obstacle de grande taille (comme un trottoir) afin d'éviter qu'elles ne heurtent le sol. Abaissez-les ensuite en position normale une fois l'obstacle franchi.

REMARQUE : N'insérez pas les deux boutons à ressort dans le montant du châssis car cela pourrait endommager la roulette et lui faire perdre son efficacité. Pour régler les roulettes anti-bascule vers le haut ou les retirer, enfoncez le second bouton exposé. Il doit également y avoir un écart minimum de 3 cm à 5 cm entre le sol et la roulette. Vous devez faire pivoter les roulettes anti-bascule vers le haut lorsque vous franchissez des obstacles (comme le trottoir) afin d'éviter qu'elles ne touchent le sol. Abaissez-les ensuite en position normale une fois l'obstacle franchi (Fig. 27).

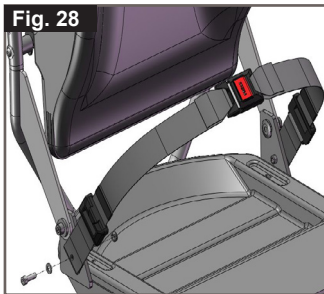
Options – Ceinture sous-abdominale

CEINTURE SOUS-ABDOMINALE



Avant d'utiliser votre fauteuil roulant, assurez-vous que la ceinture de sécurité soit mise et réglée correctement avant utilisation.

La ceinture sous-abdominale est fixée sur le fauteuil comme représenté dans l'illustration. La ceinture de sécurité se compose de 2 moitiés. Elles sont installées en utilisant le boulon de maintien existant du siège fixé à travers l'œillet de la ceinture. La ceinture est passée sous l'arrière du panneau latéral. (Fig. 28).



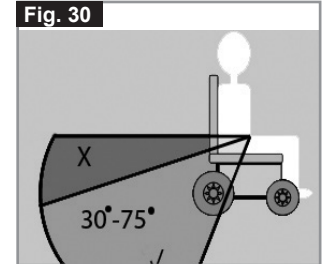
Ajustez la position de la ceinture afin que les attaches soient au centre du siège.

Ajustez la ceinture sous-abdominale afin de convenir aux besoins de l'utilisateur comme ci-après :

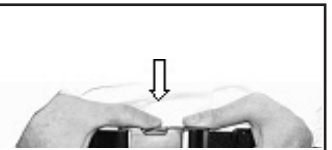
Pour augmenter la longueur de la ceinture	Pour réduire la longueur de la ceinture	
Passez la ceinture par les dispositifs de réglage coulissant et l'attache male afin d'obtenir plus de longueur de ceinture.	Passez la ceinture par l'attache male et le dispositif de réglage coulissant.	Assurez-vous que la ceinture n'ait pas de nœud au niveau de l'attache male.

Une fois la ceinture attachée, vérifiez l'espace entre la ceinture sous-abdominale et l'utilisateur. Si la ceinture est correctement réglée, vous pouvez passer la main à plat entre la ceinture sous-abdominale et l'utilisateur. (Fig. 29)

En général, la ceinture sous-abdominale doit être fixée de façon à ce que les sangles soient à un angle d'environ 45°, et quand elle est correctement réglée, elle ne permet pas à l'utilisateur de glisser dans le siège. (Fig. 30).



Pour attacher la ceinture :
Poussez l'attache male de façon ferme dans l'attache femelle.



Pour retirer la ceinture :
Appuyez sur les parties exposées de l'attache mâle et poussez vers le centre OU poussez le bouton à pression de la boucle femelle tout tirant doucement pour les séparer.

CONSEIL À L'ATTENTION DU CLIENT



- N'utilisez pas seulement une ceinture sous-abdominale quand le fauteuil roulant et son utilisateur sont transportés dans un véhicule. Utilisez le dispositif de maintien sous abdominal et diagonal pour passagers fournis dans le véhicule.
- Avant utilisation, nous recommandons de vérifier que la ceinture sous-abdominale est correctement réglée, sans obstruction ou dans le mauvais sens et que la boucle s'enclenche correctement.
- Ne pas s'assurer que la ceinture sous-abdominale est attachée en toute sécurité ou bien réglée avant l'utilisation peut provoquer des blessures graves à l'utilisateur. Ex. une sangle trop lâche peut permettre à l'utilisateur de glisser dans le siège et d'engendrer un risque d'étouffement.

ENTRETIEN :

Vérifiez régulièrement l'état de la ceinture et des composants de retenue afin de détecter l'apparition d'éventuels signes d'endommagement ou de déchirure. Remplacez la ceinture, si nécessaire. Nettoyez la ceinture sous-abdominale avec de l'eau chaude savonneuse et attendez qu'elle sèche.

⚠ DANGER !

- La ceinture sous-abdominale doit être réglée de façon à s'adapter à l'utilisateur, comme détaillé ci-dessus. Sunrise Medical recommande également que la longueur et l'ajustement de la ceinture soient vérifiés régulièrement afin de réduire le risque de voir l'utilisateur final régler par inadvertance la ceinture à une longueur excessive.
- Si vous avez des doutes au sujet de l'utilisation et de la manipulation de la ceinture demandez l'assistance de votre professionnel de la santé, de votre revendeur,

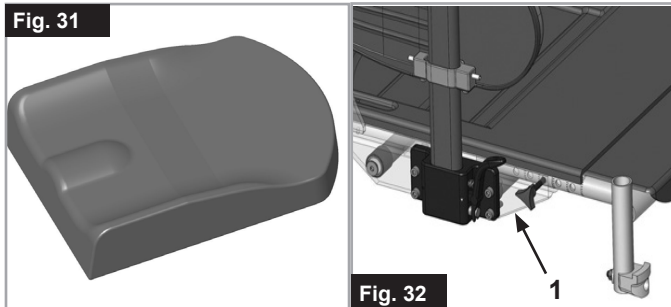
Options - Siège**SIÈGE COMFORT (FIG. 31).**

Le siège Comfort est doté d'un coussin de forme anatomique qui offre une assise confortable lors de l'utilisation prolongée du fauteuil.

Le coussin est maintenu par du Velcro et est également amovible. La housse est lavable (Voir les instructions concernant le coussin).

PROFONDEUR DU SIÈGE (FIG. 32).

Après avoir desserré les molettes (1) des deux côtés, la profondeur du siège se règle par palier de 2 cm. Les paliers sont indiqués par les marques sur le tube du siège et sur l'étiquette placée sur la plaque d'assise. Réglez à la position désirée, puis resserrer les molettes.

**⚠ ATTENTION !**

- Veillez à ne pas dépasser la profondeur maximale (voir le marquage et les butées).
- Vérifiez que les molettes sont bien alignées par rapport à l'orifice correspondant, puis serrez fermement.

RÉGLAGE DE LA LARGEUR DU SIÈGE

Vous pouvez accroître la largeur du siège de votre fauteuil en retirant les manchettes internes ou en ajoutant des entretoises (voir le protège-vêtement en option)

SIÈGE À INCLINAISON VARIABLE (0°-25° / -3 -22°)

Avant toute manipulation, retirez la goupille de verrouillage (1), (Fig. 33).

En tirant sur le levier (2), le siège est libéré. Vous pouvez alors le régler à la position désirée (Fig. 34). Lorsque vous relâchez, le siège s'enclenche automatiquement dans sa nouvelle position.

⚠ DANGER !

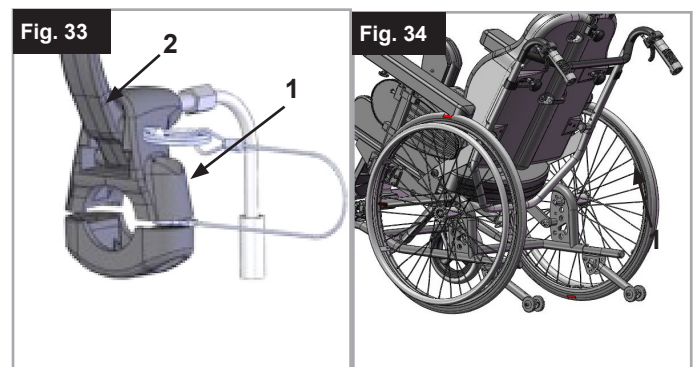
- Ne réglez jamais le siège lorsque le fauteuil est en pente.
- N'utilisez le siège à inclinaison variable qu'avec les roulettes anti-bascule.

⚠ AVERTISSEMENT !

Faites attention de ne pas vous coincer les doigts lorsque vous réglez le siège.

⚠ ATTENTION !

Pour assurer un bon fonctionnement des câbles, veillez à ne jamais les tendre.



Options - Abduction

ABDUCTION

Vous pouvez enlever ou régler la hauteur de la cale d'abduction en desserrant la vis (1), ainsi que la profondeur en desserrant les vis (2), (Fig. 35).

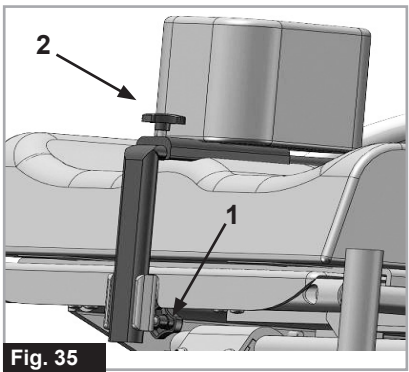


Fig. 35

Options – Poignées de poussée

POIGNÉES DE POUSSÉE RÉGLABLES EN HAUTEUR

En desserrant les molettes (1), vous pouvez régler les poignées à la hauteur qui vous convient. Après avoir réglé la hauteur des poignées, pensez à toujours resserrer les molettes (1) (Fig. 36).



Fig. 36

⚠ DANGER !

Si les molettes ne sont pas bien serrées, cela pourrait s'avérer dangereux lorsque l'accompagnateur voudra soulever le fauteuil pour franchir un obstacle.

Options – Appui-tête

APPUI-TÊTE COMFORT

Vous pouvez régler la hauteur de l'appui-tête (1) et l'incliner vers l'avant ou l'arrière, (2-3-4). Pour ce faire, desserrez les leviers de déverrouillage correspondants, réglez l'appui-tête à la position désirée, puis resserrez-les (Fig. 37).

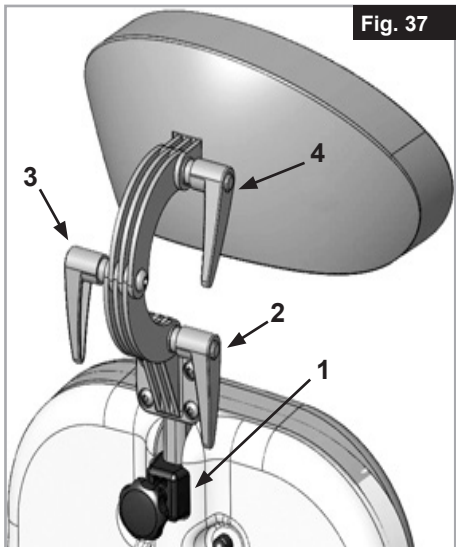


Fig. 37

APPUI-TÊTE À 3 OREILLES

Vous pouvez régler la hauteur de l'appui-tête (1) et l'incliner vers l'avant ou l'arrière, (2-3-4). Vous pouvez également régler l'axe central de l'appui-tête (5). Pour ce faire, desserrez les leviers/boutons correspondants, réglez l'appui-tête à la position désirée, puis resserrez-les (Fig. 38-39).

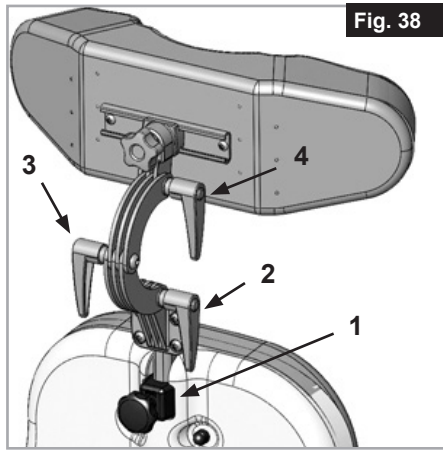


Fig. 38

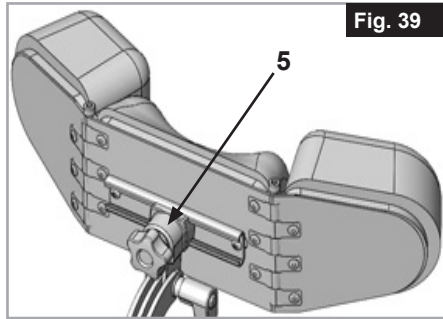


Fig. 39

Options - Tablette thérapeutique

TABLETTE THÉRAPEUTIQUE

La tablette consiste en une surface plane adaptée à la plupart des activités. La tablette doit être adaptée une fois pour toute à la largeur du siège par votre spécialiste.

REMARQUE : L'utilisateur doit être assis dans le fauteuil pendant cette opération, (Fig. 40).

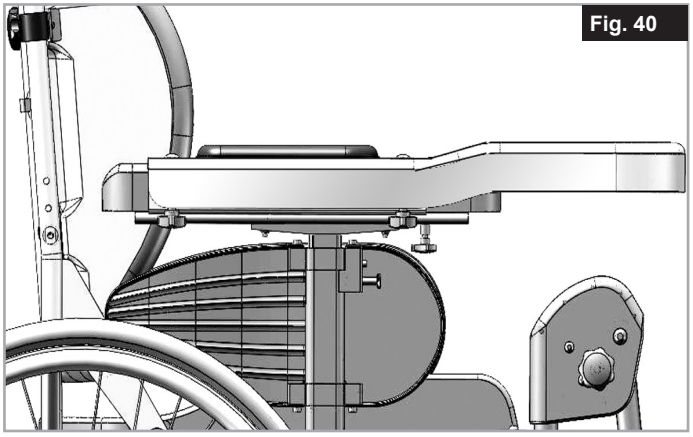



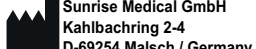








Fig. 40

Plaque signalétique

PLAQUES SIGNALÉTIQUES

La plaque signalétique se trouve sur les tubes du croisillon, ainsi que sur une étiquette dans le manuel d'utilisation. La plaque indique la dénomination exacte du modèle et fournit diverses informations techniques. Pour une commande de pièces de rechange ou une réclamation, indiquez SVP les informations suivantes :

ECHANTILLON

			XXXX-XX-XX
Sunrise Medical GmbH Kahlbachring 2-4 D-69254 Malsch / Germany			
TYPE:	Wheelchair, Rollstuhl, Fauteil Roulant, Silla de Ruedas	SN	XXXXXXXXXXXXXXXXXX
Relax2	ISO 7176-19:2008		
			
XXX kg	max X°	XXX mm	XXX mm
			 
			

Relax2

Désignation du produit/Numéro de SKU.



Pente maximale pouvant être abordée par le fauteuil équipé de roulettes anti-bascule. Dépend de la configuration du fauteuil, de la posture et des capacités physiques de l'utilisateur.



Largeur du siège.



Profondeur (maximale).



Charge maximale.



Marquage CE



Manuel d'utilisation



XXXX-XX-XX

Date de fabrication



Numéro de série.



Ce symbole signifie dispositif médical.




Coordonnée du fabricant.

ISO 7176-19:2008

Fait l'objet d'essais de collision conformément à la norme ISO 7176-19:2008.

En raison de notre politique d'amélioration continue dans la conception de nos fauteuils roulants, les spécifications des produits peuvent légèrement différer des exemples illustrés dans le présent manuel. Toutes les valeurs relatives aux poids et aux dimensions et les données de performance sont approximatives et fournies à titre d'information uniquement. Les fauteuils de Sunrise Medical sont fabriqués conformément à la Règlement sur les dispositifs médicaux (UE) 2017/745.

 Tous les fauteuils roulants doivent être utilisés conformément aux instructions du fabricant.

Sunrise Medical GmbH
Kahlbachring 2-4
69254 Malsch/Heidelberg
Deutschland
Tel.: +49 (0) 7253/980-0
Fax: +49 (0) 7253/980-222
kundenservice@sunrisemedical.de
www.SunriseMedical.eu

Contrôles quotidiens

ATTENTION !

En tant qu'utilisateur, vous êtes le mieux placé pour remarquer toute éventuelle anomalie. Par conséquent, nous vous recommandons de contrôler les éléments suivants avant chaque utilisation :

- Vérifier la pression des pneus
- Vérifier le bon fonctionnement des freins d'immobilisation
- Vérifier que les composants amovibles sont bien en place, par ex. accoudoir, axe à déverrouillage rapide, etc.
- Vérifier tout signe d'endommagement visible, par ex. sur le châssis, le dossier, la toile du siège, les roues, le repose-pieds, etc.
- En cas d'endommagement ou de dysfonctionnement, contactez votre revendeur agréé.

Pneus et montage des pneus

PNEUS ET MONTAGE DES PNEUS

Le fauteuil est équipé de série de pneus à bandage.

Si votre fauteuil est équipé de pneus pneumatiques, veillez à ce que la pression de vos pneus soit toujours correcte car cela peut avoir une incidence sur la performance et le comportement du fauteuil. Quand la pression est insuffisante, il faut dépenser plus d'énergie car la résistance du fauteuil est très élevée. La maniabilité du fauteuil en est réduite. Le pneu peut éclater si la pression est trop élevée. La pression correcte est indiquée sur le bandage du pneu, (Max. 3,5 bar).

Les pneus se montent comme des pneus de vélo courants. Avant de remplacer la chambre à air, inspectez la jante et la paroi interne du pneu et enlevez tout éventuel corps étranger. Vérifiez la pression des pneus après le montage ou la réparation. Il est important pour votre propre sécurité et pour une bonne performance de votre fauteuil de vérifier la pression de l'air régulièrement et de maintenir les pneus en bon état.

Maintenance et entretien

ENTRETIEN

- Vérifiez la pression des pneus toutes les 4 semaines. Inspectez tous les pneus pour repérer tout éventuel signe d'usure ou d'endommagement.
- Vérifiez environ toutes les 4 semaines le bon fonctionnement des freins d'immobilisation et sont faciles à manier.
- Les pneus se montent comme des pneus de vélo courants.
- Toutes les jointures essentielles au fonctionnement sécurisé de votre fauteuil sont dotées d'écrous autofreinés.
- Vérifiez SVP tous les trois mois que les raccords vissés, (voir la section des couples de serrage) sont solides.
- Les écrous de sécurité ne doivent être utilisés qu'une seule fois. Après une utilisation répétée, vous devez remplacer ces écrous.
- Quand votre fauteuil est sale, nettoyez-le uniquement avec un nettoyant ménager doux. Nettoyez la toile du siège et la ceinture sous-abdominale à l'eau et au savon uniquement.
- Si votre fauteuil est mouillé, séchez-le après utilisation pour éviter l'apparition de rouille et de corrosion par le sel.
- Tous les deux mois environ, appliquez une petite quantité d'huile pour machine à coudre sur les axes à libération rapide. Suivant l'utilisation que vous faites de votre fauteuil, nous vous recommandons de demander à votre revendeur d'effectuer un contrôle de votre fauteuil tous les 12 mois.

ATTENTION !

Le sable et l'eau de mer (les projections de sel en hiver) endommagent la suspension des roues avant et des roues arrière. Nettoyez bien le fauteuil s'il a été exposé à ces éléments.

Les pièces suivantes sont amovibles et peuvent être renvoyées au fabricant/revendeur pour être réparées :

Roues arrière, accoudoirs, potences, roulettes anti-bascule. Ces composants sont disponibles en pièces détachées. Vous trouverez de plus amples informations dans le catalogue de pièces détachées.

CONSIGNES D'HYGIÈNE AVANT RÉUTILISATION :

Veillez à toujours apprêter le fauteuil soigneusement avant de le réutiliser et à désinfecter toutes les surfaces susceptibles d'entrer en contact avec l'utilisateur.

À cette fin, vous devez utiliser une solution pour une désinfection rapide des produits et matériels médicaux. Suivez bien les consignes du fabricant du désinfectant de votre choix.

En règle générale, une désinfection efficace ne peut être garantie sur les coutures. Par conséquent et conformément à l'article 6 de la loi relative à la protection contre l'infection, en cas de contamination micro-bactérienne aux agents actifs, il est recommandé de mettre au rebut la toile du siège et du dossier.

ENTREPOSAGE

Entreposez toujours le fauteuil dans un endroit sec.

Dépannage

LE FAUTEUIL TIRE SUR LE CÔTÉ

- Vérifiez la pression des pneus (pneus pneumatiques uniquement)
- Vérifiez que la roue (roulement, axe) roule sans problèmes.
- Vérifiez que l'angle des roues avant est correct et que celles-ci entrent bien en contact avec le sol
- Vérifiez que les roulements des roues avant tournent sans entrave

LES ROUES AVANT OSCILLENT

- Vérifiez l'angle des roues avant
- Vérifiez que les visseries sont fixes, resserrez-les le cas échéant (voir la page des couples de serrage)
- Vérifiez si les roues avant sont toutes les deux en contact avec le sol.

LE FAUTEUIL GRINCE ET CLIQUETTE

- Vérifiez que les visseries sont fixes, resserrez-les le cas échéant (voir la page des couples de serrage)
- Graissez légèrement les parties articulées.

LE FAUTEUIL A DU JEU

- Vérifiez l'angle des roues avant
- Vérifiez la pression des pneus.
- Vérifiez si les roues arrière sont réglées différemment.

AMORTISSEURS ET CÂBLES

⚠ ATTENTION !

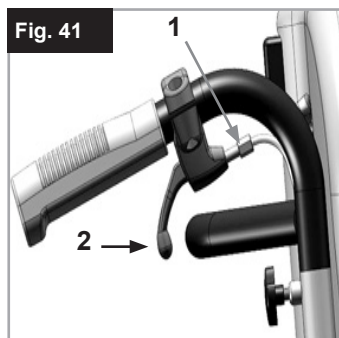
Pour éviter toute entrave au bon fonctionnement de votre fauteuil, veillez à ce que les câbles ne soient pas excessivement tendus.

PROBLÈME :

Présence de jeu dans le levier

SOLUTION :

Dévissez la vis de réglage (1) jusqu'à ce que le levier (2) ne présente plus de jeu (Fig. 41).



RÉGLAGE DE L'ANGLE D'ASSISE

PROBLÈME :

Le siège n'est pas maintenu en position, il se déplace tout seul

CAUSE :

Les câbles Bowden (1) sont trop serrés sur le tampon.

SOLUTION :

Régalez les câbles Bowden à l'aide de la vis de réglage (1)

⚠ ATTENTION !

Protégez les câbles Bowden contre toute forme d'endommagement (voilure).
S'ils sont voilés, vous devez les remplacer.

Mise au rebut / Recyclage des matériaux

REMARQUE : Si ce fauteuil vous a été remis gratuitement, il pourrait ne pas vous appartenir. Si vous n'en avez plus usage, respectez les consignes énoncées par l'organisme qui vous l'a fourni afin de le lui rendre.

Les informations suivantes décrivent les différents matériaux composant le fauteuil en vue de la mise au rebut ou du recyclage du fauteuil et de ses matériaux d'emballage. Vous devez respecter toute réglementation spécifique en vigueur dans votre localité relative à la mise au rebut et au recyclage (notamment le nettoyage ou la décontamination du fauteuil roulant avant sa mise au rebut).

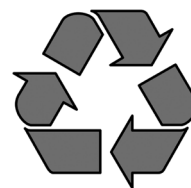
Acier : Fixations, axes à déverrouillage rapide, protège-vêtement, accoudoirs, châssis, repose-jambes, poignées de poussée.

Plastique : Poignées, fourches de roues avant, capuchons aux extrémités des montants, roues avant, palettes, accoudoirs, roues/pneus de 12 pouces, roues, protège-vêtements.

Emballage : Sachet en polythène de faible densité, carton.

Garniture : Polyester tissé à revêtement PVC et mousse expansée à combustion modifiée.

La mise au rebut ou le recyclage doit être assuré par un agent spécialisé ou une décharge agréée. Vous pouvez également renvoyer votre fauteuil roulant à votre revendeur qui se chargera de sa mise au rebut.



Voorwoord

Beste klant,


Wij zijn erg blij dat u gekozen hebt voor een kwalitatief hoogstaand SUNRISE MEDICAL-product.

In deze gebruikshandleiding vindt u tal van tips en ideeën waarmee u van uw nieuwe rolstoel een betrouwbare partner in uw leven kunt maken.

Wij bij Sunrise Medical staan erop om een nauwe band met onze klanten te onderhouden. Daarom willen wij u op de hoogte houden van de huidige en de nieuwe ontwikkelingen in ons bedrijf. Een goede band met onze klanten betekent ook: snelle service, uitstekende toegankelijkheid en nauwe samenwerking met onze klanten. Wanneer u vervangende onderdelen of accessoires nodig hebt, of een vraag over uw rolstoel hebt, staan wij voor u klaar.

Wij willen dat u tevreden bent over onze producten en diensten. Bij Sunrise werken we voortdurend aan verdere ontwikkeling van onze producten. Dat maakt dat de vorm, de technologie en de uitrusting van onze producten kan veranderen. Er zijn dan ook geen juridische vorderingen mogelijk op basis van de gegevens of de afbeeldingen in deze gebruikershandleiding.

Het managementsysteem van SUNRISE MEDICAL is gecertificeerd en voldoet aan de DIN EN ISO 9001, ISO 13485 en ISO 14001.

 SUNRISE MEDICAL verklaart als producent dat de lichtgewicht rolstoelen voldoen aan de EU-verordening Medische hulpmiddelen (2017/745).

OPMERKING:

Algemeen advies.

Wanneer deze instructies niet worden opgevolgd, kan dit leiden tot fysiek letsel, schade aan het product of schade aan de omgeving!

Een mededeling aan de gebruiker en/of patiënt: wanneer dit product betrokken was bij een ernstig incident, dient dit aan Sunrise Medical en de bevoegde autoriteit van de Lidstaat waarin de gebruiker en/of patiënt is gevestigd, te worden gemeld.

Built-4-Me speciale aanpassingen

Sunrise Medical adviseert nadrukkelijk alle bij uw Built-4-Me product meegeleverde gebruikersinformatie zorgvuldig door te lezen voordat u het product voor het eerst gebruikt. Alleen wanneer u de gebruiksaanwijzingen volledig hebt doorgelezen en begrijpt, bent u ervan verzekerd dat het Built-4-Me product functioneert en presteert zoals de fabrikant dit heeft bedoeld.

Sunrise Medical adviseert tevens de gebruikersinformatie na het lezen niet weg te gooien, maar het veilig op te bergen, zodat u de informatie later nog eens kunt doornemen.

Combinaties van medische hulpmiddelen

Het is eventueel mogelijk om dit medische hulpmiddel met één of meerdere andere medische hulpmiddelen of een ander product te combineren. Kijk voor informatie over mogelijke combinaties op www.Sunrisemedical.nl. Alle op de lijst vermelde combinaties zijn gevalideerd om te voldoen aan de Algemene veiligheids- en prestatievereisten, Bijlage I nr. 14.1 van de MDR - Verordening voor Medische hulpmiddelen (2017/745).

Richtlijnen voor de combinatie, zoals de bevestiging, vindt u op www.SunriseMedical.nl

Heeft u vragen over het gebruik, het onderhoud of de veiligheid van uw rolstoel, neem dan contact op met uw plaatselijke erkende dealer van SUNRISE MEDICAL.

Is er geen erkende dealer in uw regio of hebt u vragen, neem dan schriftelijk of telefonisch contact op met Sunrise Medical:

Sunrise Medical B.V.
Groningehaven 18-20
3433 PE NIEUWEGEIN
The Netherlands
T: +31 (0)30 – 60 82 100
F: +31 (0)30 – 60 55 880
E: info@sunrisemedical.nl
www.SunriseMedical.nl



BELANGRIJK:

GEBRUIK UW ROLSTOEL NIET TOT U DEZE
GEBRUIKSAANWIJZING HEEFT GELEZEN EN
BEGREPEN.

Gebruik

Rolstoelen zijn uitsluitend bedoeld voor persoonlijk gebruik, voor personen die niet in staat zijn te lopen of die beperkt mobiel zijn. De rolstoelen kunnen door de gebruiker zelf worden voortbewogen of door een derde (een begeleider die duwt), zowel binnens- als buitenshuis.

Het maximale gewicht dat de stoel kan dragen (gebruiker en het gewicht van de accessoires die zijn gemonteerd) staat vermeld bij het serienummer; dit vindt u aan de kruisstang of stabiliserstang onder de zitting.

Aansprakelijkheid wordt uitsluitend geaccepteerd indien het product wordt gebruikt onder die specifieke omstandigheden en voor het doel waarvoor het product is gemaakt. De verwachte levensduur van de rolstoel is vijf jaar. Er mogen uitsluitend door Sunrise Medical goedgekeurde STANDAARD onderdelen worden gebruikt.

Toepassingen.

Indicaties

De keuze aan beschikbare accessoires en het modulaire ontwerp betekenen dat de rolstoel kan worden gebruikt door personen die niet kunnen lopen of beperkt mobiel zijn vanwege:

- Verlamming
- Amputatie (van been of benen)
- Disfunctioneren of misvorming van been of benen
- Contractuur van/letsel aan gewrichten
- Ziektes zoals hart- en vaatziekten, evenwichtsstoornissen of cachexie, neurologische aandoeningen, spierdystrofie, hemiplegie, evenals voor oudere mensen die nog kracht in het bovenlichaam hebben.

Contra-indicaties

De rolstoel mag niet zonder begeleider worden gebruikt bij:

- Waarnemingsstoornissen
- Evenwichtsstoornissen
- Verlies van beide armen, indien niet door een zorgverlener begeleid
- Gewrichtscontractuur of beschadiging van gewrichten in beide armen
- Onvermogen om te zitten

Wanneer levering/aanschaf van een rolstoel wordt overwogen, neem dan de volgende zaken in overweging: lichaamsgrootte, gewicht, fysieke en psychische toestand, leeftijd, leefomstandigheden en -omgeving.

Inhoudsopgave	
Inhoudsopgave	62
Algemene veiligheidsinstructies en besturingsrestricties	63
Warranty	65
Transport	66
Gebruik	68
Opties – Trapdop	68
Opties – Wielvergrendelingen	68
Opties - Voetenplaten	69
Opties - Amputatiebeschermer	70
Opties - Lengte compenserende beensteunen	70
Opties - Zwenkwielen	70
Opties - Zwenkwieladapter	71
Opties - Rugleuning	71
Opties - Zijbescherming	72
Opties – Armsteun, hemiplegie	72
Opties – Anti-tip wielen	72
Opties – Heupgordel	73
Opties - Zitsysteem	74
Opties - Abductiekussen	75
Opties – Duwhandvatten	75
Opties – Hoofdsteunen	75
Opties - Werkblad	75
Sticker	76
Dagelijkse controle	76
Banden en montage	77
Algemeen onderhoud	77
Mogelijke problemen	78
Afvalverwerking / recycling van materialen	78

Definities

3.1 Betekenis van woorden die in deze handleiding worden gebruikt.

Woord	Betekenis
 GEVAAR!	De gebruiker wordt geattendeerd op de kans op ernstig letsel of overlijden indien het advies niet wordt opgevolgd.
 WAARSCHUWING!	De gebruiker wordt geattendeerd op de kans op letsel indien het advies niet wordt opgevolgd.
 OPGELET!	De gebruiker wordt geattendeerd op de kans op schade aan de apparatuur indien het advies niet wordt opgevolgd.
OPMERKING:	Algemeen advies of beste gebruik
	Verwijzing naar aanvullende documentatie

OPMERKING:

De getoonde en beschreven rolstoelen in deze gebruikershandleiding kunnen op sommige punten van uw eigen model afwijken. Alle instructies zijn echter belangrijk, ongeacht de verschillen in detail. De fabrikant houdt zich het recht voor zonder opgave van gegevens met betrekking tot gewicht, maten of andere technische gegevens zoals genoemd in deze handleiding, te wijzigen. Alle afbeeldingen, maten en mogelijkheden zoals getoond in deze handleiding zijn slechts indicatief en bevatten geen specificaties.

OPMERKING:

Noteer het adres en telefoonnummer van uw plaatselijke dealer in de daarvoor bestemde ruimte. Neem in het geval van storingen contact met de dealer op en probeer zoveel mogelijk relevante informatie te geven zodat hij u snel kan helpen.

Stempel en handtekening dealer

Algemene veiligheidsinstructies en besturingsrestricties

De techniek en constructie van deze rolstoel zijn ontworpen voor het bieden van maximale veiligheid. Aan de momenteel van kracht zijnde internationale veiligheidsnormen is voldaan en zij zijn overtroffen.

Toch kunnen gebruikers zichzelf in gevaar brengen door onjuist gebruik van hun rolstoel. Voor uw eigen veiligheid moeten de volgende regels absoluut worden opgevolgd.

Onprofessionele of foutieve aanpassingen of instellingen kunnen de kans op ongelukken vergroten. Als rolstoelgebruiker maakt u, net als andere weggebruikers, deel uit van het dagelijkse verkeer op straten en trottoirs. Wij herinneren u er aan dat u daardoor ook onderworpen bent aan alle verkeerswetgeving. Wees voorzichtig tijdens uw eerste rit in deze rolstoel. Leer uw rolstoel kennen.

Voor elk gebruik, moet het volgende worden gecontroleerd:

- Vaste assen of Quick release assen op de achterwielen.
- Velcro op de zittingen en rugleuningen
- Banden, bandendruk en parkeerremmen.

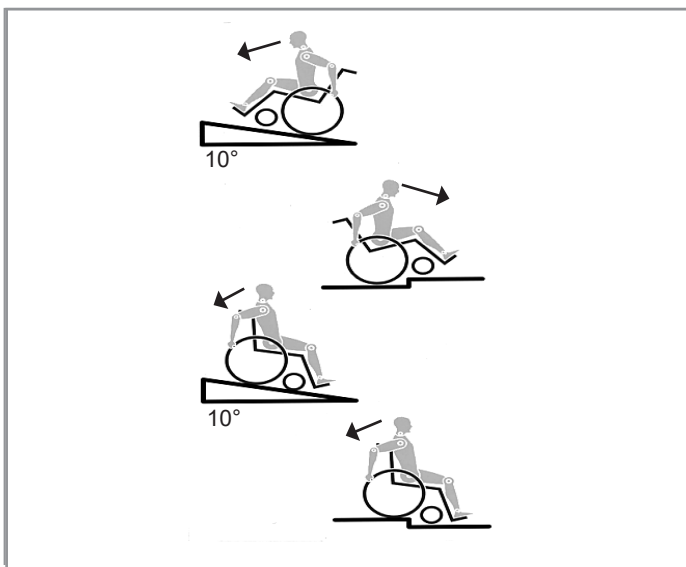
Alvorens aanpassingen van deze rolstoel te wijzigen, is het belangrijk het bijbehorende deel van de gebruiksaanwijzing te lezen.

Het is mogelijk dat de rolstoel door kuilen of oneffen oppervlakken kan kantelen, in het bijzonder wanneer heuvel op of af wordt gereden. Wanneer over een trede of helling op wordt gereden, moet het lichaam naar voren zijn gebogen.

GEVAAR!

- Overschrijd NOOIT de maximale belasting van 145 kg, (XL=170 kg), voor de gebruiker plus voorwerpen die meegenomen worden op de rolstoel. Als u de maximale belasting overschrijdt, kan dit leiden tot schade aan de stoel, of u kunt omvallen of omkantelen, de controle verliezen, wat ernstig letsel aan de gebruiker en andere personen tot gevolg kan hebben.
- Draag lichte of reflecterende kleding wanneer u in het donker naar buiten gaat. Zo wordt u gemakkelijker gezien. Zorg ervoor dat de reflectoren op de zij- en achterkant van de rolstoel duidelijk zichtbaar zijn.
- Sunrise adviseert tevens gebruik te maken van verlichting.
- Om vallen en gevaarlijke situaties te voorkomen, is het verstandig om eerst met uw nieuwe rolstoel te oefenen op een vlakke ondergrond, bij goed zicht.
- Gebruik de voetplaten niet als u in of uit de rolstoel stapt.
- Deze moeten van tevoren omhoog worden geklapt en zo ver mogelijk naar buiten worden gedraaid. Plaats uzelf altijd zo dicht mogelijk bij de plek waar u naar toe wilt overstappen of overgebracht wilt worden.
- Wees voorzichtig wanneer u de rolstoel gebruikt. Bijvoorbeeld, probeer niet tegen een obstakel op te rijden zonder te remmen (opstapje, trottoirrand) of verschillen in afstapjes.

- De parkeerremmen zijn niet bedoeld om uw rolstoel te remmen wanneer deze in beweging is. Zij dienen er slechts voor om te voorkomen dat uw rolstoel onbedoeld begint te rollen. Wanneer u op een oneffen oppervlak stopt, dient u altijd uw parkeerremmen te gebruiken om weggrollen te voorkomen. Gebruik altijd beide parkeerremmen anders kan uw rolstoel kantelen.
- Probeer uit welk effect een verandering op het zwaartepunt van de rolstoel heeft; bijvoorbeeld op hellingen of wanneer u over obstakels probeert te rijden. Doe dit met de hulp van een begeleider
- Met extreme instellingen (bijv. achterwielen in de voorste positie) en minder dan perfecte houding, kan de rolstoel zelfs op een effen oppervlak omkantelen.
- Leun met uw bovenlichaam naar voren als u hellingen en opstapjes opgaat.
- Leun met uw bovenlichaam verder naar achteren, wanneer u van een helling of afstapje afgaat. Probeer nooit diagonaal een helling op of af te gaan.
- Gebruik nooit een roltrap, aangezien u hier vanaf kunt vallen wat ernstig letsel kan veroorzaken.
- Gebruik de rolstoel niet op hellingen steiler dan $> 10^\circ$. De werking van de Dynamic beveiliging hangt af van de instellingen van de stoel, de capaciteiten van de gebruiker en de rijstijl. Omdat Sunrise Medical vooraf niet kan voorzien hoe de capaciteiten en rijstijl van de gebruiker is, kan de maximale veilig te nemen helling niet worden bepaald. Daarom moet dit door de gebruiker worden bepaald, samen met een begeleider, die kan voorkomen dat de rolstoel kantelt. Sunrise Medical adviseert onervaren gebruikers veiligheidswielen te laten installeren.
- Het is mogelijk dat de rolstoel door kuilen of oneffen oppervlakken kan kantelen, in het bijzonder wanneer heuvel op of af wordt gereden.
- Gebruik de rolstoel niet op modderige of bevroren (gladde) ondergrond.
- Daar waar voetgangers niet zijn toegestaan, mag u ook niet met de rolstoel rijden.
- Steek nooit uw handen tussen de spaken of tussen het achterwiel en wielvergrendeling terwijl u rijdt. Dit kan leiden tot letsel aan de handen.
- Met name bij het gebruik van lichtgewicht hoepels, worden vingers gemakkelijk warm bij het remmen op hoge snelheid of op steile hellingen.
- Gebruik geen trappen zonder de hulp van een begeleider. Er bestaan middelen om u te helpen, bijv. hellingen op te gaan of de lift te gebruiken. Wij raden u aan deze te gebruiken. Als deze niet beschikbaar zijn, dient de rolstoel naar achteren te worden gekanteld en over de treden te worden geduwd (2 helpers), maar mag nooit worden getild. We adviseren gebruikers zwaarder dan 100 kg niet op deze wijze over te brengen. Over het algemeen moeten anti-tip wielen vooraf zodanig worden ingesteld dat ze de treden niet kunnen raken, omdat dit tot een ernstige val zou kunnen leiden. Naderhand moeten de anti-tip wielen weer in de oude positie worden teruggebracht.



 **GEVAAR!**

- Zorg ervoor dat de begeleider de rolstoel alleen aan stevig bevestigde onderdelen vasthoudt. Gebruik geen verwijderbare onderdelen (bijvoorbeeld de voetsteunen of de zijpanelen).
- Wanneer u de rolstoellift gebruikt, dient u ervoor te zorgen dat de aangebrachte anti-tip wielen buiten de gevarenszone zijn geplaatst.
- Gebruik de remvergrendeling om de stoel vast te zetten wanneer u zich op ongelijke grond bevindt of wanneer de rolstoel bijvoorbeeld in een auto wordt geplaatst.
- Wanneer u de rolstoellift gebruikt, dient u ervoor te zorgen dat de aangebrachte anti-tip wielen buiten de gevarenszone zijn geplaatst.
- Gebruik de remvergrendeling om de stoel vast te zetten wanneer u zich op ongelijke grond bevindt of wanneer de rolstoel bijvoorbeeld in een auto wordt geplaatst.
- Wanneer gebruik wordt gemaakt van een speciaal voor gehandicaptenvervoer ingericht voertuig, dienen de personen die worden vervoerd, voor zover mogelijk, gebruik te maken van de stoelen van het voertuig en het juiste gordelsysteem. Alleen op deze wijze genieten de personen optimale bescherming indien een ongeluk plaatsvindt.
- Afhankelijk van de diameter en instelling van de zwenkwielen evenals de instelling van het zwaartepunt van de rolstoel, kunnen de zwenkwielen op hoge snelheid beginnen te trillen. Hierdoor kunnen de zwenkwielen geblokkeerd raken en kan de rolstoel omkantelen. Zorg er daarom goed voor dat de zwenkwielen goed zijn aangepast (zie het hoofdstuk "Zwenkwielen").
- We raden aan dat nieuwe gebruikers anti-tip gebruiken.
- Met anti-tip kan de stoel niet onbedoeld achterover kantelen. Ze mogen in geen geval de transitwielen vervangen en gebruikt worden om een persoon in een rolstoel te vervoeren als de achterwielen zijn verwijderd.
- Wanneer u naar voorwerpen (die zich voor, aan de zijkant of achter de rolstoel bevinden) reikt, zorg er dan voor dat u niet te ver uit de rolstoel leunt, want als u het zwaartepunt verandert, bestaat het gevaar dat u omkantelt of omver rolt. Als u extra belasting (rugzak of gelijksoortige voorwerpen) aan de buizen van de rugleuning hangt, kan dit van invloed zijn op de stabiliteit aan de achterkant van uw stoel, vooral in combinatie met rugleuningen die achterover kunnen leunen. Hierdoor kan de stoel naar achteren kantelen en letsel veroorzaken.
- Gebruikers met een amputatie vanaf de dij, moeten anti-tip wielen gebruiken.
- Controleer voor vertrek of de bandenspanning correct is. Voor de achterwielen moet de druk ten minste 3,5 bar (350 kPa). Op de banden staat de maximale druk aangegeven. Het remsysteem functioneert alleen als de bandenspanning voldoende en de instelling juist is (zie het hoofdstuk over 'Wielvergrendeling').
- Indien de zitting of rugbekleding van de rugleuning beschadigd zijn, dient u deze direct te vervangen.
- Wees voorzichtig met vuur, en vooral met brandende sigaretten. De banden van de rugleuning en zitting kunnen vlam vatten.
- Als de rolstoel langere tijd aan direct zonlicht of zeer lage temperaturen blootgesteld wordt, kunnen sommige delen van de rolstoel zoals het frame, de beensteunen, de wielvergrendeling en de zijpanelen, erg heet (>41°C) of erg koud (<0°C) worden.
- Zorg er altijd voor dat de quick release assen op de achterwielen, indien deze zijn gemonteerd, op de juiste wijze zijn afgesteld en vergrendeld (kogellagers van de vergrendelende bal moeten volledig zichtbaar zijn door het ashuis). Wanneer de knop op de quick release as niet ingedrukt is, kan het achterwiel niet worden verwijderd.

 **OPGELET!**

- Het effect van de kniehevelrem evenals de algemene rijeigenschappen hangen af van de bandendruk. De rolstoel is aanzienlijk lichter en gemakkelijker te manoeuvreren wanneer de achterwielen op de juiste spanning zijn en beide dezelfde spanning hebben.
- De banden van de rolstoel moeten voldoende profiel hebben! Let op dat u zich aan alle verkeerswetten moet houden wanneer u zich op de openbare weg begeeft.
- Wees altijd voorzichtig wanneer u de rolstoel aanpast.
- Wijzigingen waarvoor gereedschappen nodig zijn, moeten altijd door de erkende dealer worden uitgevoerd.
- Reinig de rolstoel regelmatig om roest en corrosie door zout te voorkomen.
- Controleer de schroeven, bouten en moeren om te controleren of ze goed vastzitten zodat er geen onderdelen van de rolstoel los gaan zitten.
- Bij bewegende onderdelen is er altijd gevaar op beknelde vingers. Wees voorzichtig wanneer u iets wilt veranderen aan de rolstoel.
- Het kan zijn dat de getoonde en beschreven product in deze handleiding niet op elk detail precies hetzelfde als uw eigen model is. Alle instructies zijn echter belangrijk, ongeacht de verschillen in detail.
- De fabrikant houdt zich het recht voor zonder opgave van gegevens met betrekking tot gewicht, maten of andere technische gegevens zoals genoemd in deze handleiding, te wijzigen. Alle afbeeldingen, maten en mogelijkheden zoals getoond in deze handleiding zijn slechts indicatief en bevatten geen specificaties.

 **GEVAAR!**

VERSTIKKINGSGEVAAR - In dit mobiliteitshulpmiddel zijn kleine onderdelen verwerkt die onder bepaalde omstandigheden een verstikkingsgevaar voor kleine kinderen kunnen vormen.

LEVENSDUUR

De verwachte levensduur van dit product is 5 jaar, op voorwaarde dat:

Het product wordt gebruikt in strikte overeenkomst met het bedoelde gebruik; voldaan wordt aan alle eisen ten aanzien van service en onderhoud.

Warranty

Garantie:

DIT HEEFT OP GEEN ENKELE WIJZE INVLOED OP UW WETTELIJKE RECHTEN.

Garantievoorwaarden

- 1) De reparatie of vervanging wordt door een erkende Sunrise Medical dealer uitgevoerd.
- 2) Om aan de garantievoorwaarden te voldoen dient u, bij eventueel noodzakelijke servicewerkzaamheden op uw rolstoel krachtens deze overeenkomst, onmiddellijk contact op te nemen met de aangewezen onderhoudsmonteur van Sunrise Medical met nauwkeurige gegevens over het soort probleem dat u ondervindt. Indien u de rolstoel gebruikt buiten de regio van de aangewezen Sunrise Medical onderhoudsmonteur, wordt werk krachtens de "Garantievoorwaarden" uitgevoerd door een andere, door de fabriek aangewezen, onderhoudsmonteur.
- 3) Indien een onderdeel van de rolstoel gerepareerd of vervangen moet worden, als gevolg van een specifiek gebrek van fabricage of materiaal, binnen 24 maanden, (5 jaar voor het frame en het kruisframe) vanaf de datum waarop het eigendom van het product werd overgedragen naar de oorspronkelijke koper, en op voorwaarde dat deze koper nog steeds de eigenaar is, wordt het onderdeel of worden de onderdelen zonder kosten vervangen of gerepareerd, op voorwaarde dat de rolstoel wordt teruggebracht naar de erkende dealer.

OPMERKING:

Deze garantie is niet overdraagbaar.

- 4) Deze garantie dekt eveneens alle gerepareerde of vervangen onderdelen voor de resterende garantieperiode van de rolstoel.
- 5) Wij geven een extra 24 maanden garantie voor reserveonderdelen die na de aanvang van de oorspronkelijke garantie zijn aangebracht.
- 6) Aan slijtage onderhevige onderdelen worden normaliter van de garantie uitgesloten, behalve in het geval dat voortijdige slijtage van het onderdeel het directe gevolg van een fabricagefout is. Tot verbruiksgoederen worden onder andere gerekend: bekleding, banden, interne buizen en dergelijke.
- 7) Bovenstaande garantievoorwaarden gelden voor alle productonderdelen, voor modellen die voor de volle handelsprijs gekocht zijn.
- 8) Onder normale omstandigheden wordt geen verantwoordelijkheid aanvaard wanneer de rolstoel reparatie of vervanging behoeft als een rechtstreeks gevolg van het feit dat:
 - a) Het product of onderdeel is niet onderhouden in overeenstemming met de aanbevelingen van de fabrikant, zoals uiteengezet in de gebruikershandleiding en/of de onderhoudsinstructies. Er zijn accessoires gebruikt die niet gespecificeerd zijn als originele onderdelen.
 - b) De rolstoel of het onderdeel is beschadigd door nalatigheid, ongeval of oneigenlijk gebruik.
 - c) Wijzigingen aan de rolstoel of onderdelen daarvan, die niet in overeenstemming zijn met de specificaties van de fabrikant, of het uitvoeren van reparaties alvorens contact werd opgenomen met de onderhoudsmonteur/dealer.

Transport

⚠ GEVAAR!

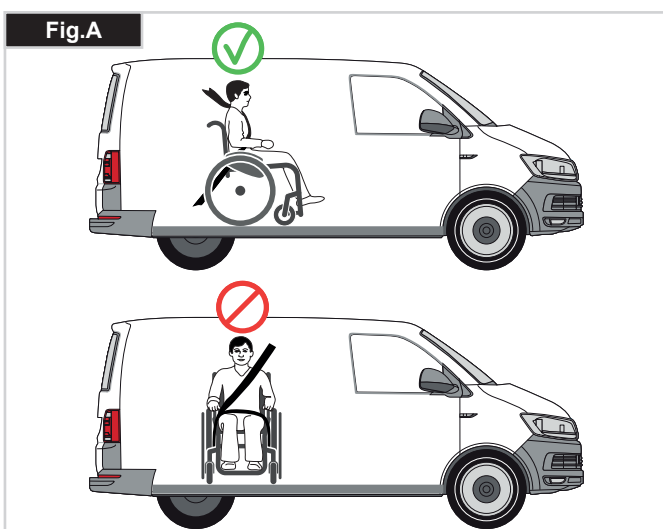
Indien dit advies wordt genegeerd ontstaat het risico op ernstig letsel of overlijden.

Het vervoer van uw rolstoel in een voertuig:

Een in een voertuig vastgezette rolstoel biedt niet dezelfde veiligheid als een normale stoel en veiligheidssysteem in dat voertuig. Sunrise adviseert altijd om de rolstoelgebruiker over te brengen naar een stoel van het voertuig. Sunrise Medical erkent dat het niet altijd praktisch is om een rolstoelgebruiker over te brengen naar een gewone stoel in het voertuig. Wanneer de gebruiker vervoerd moet worden in de rolstoel, moet onderstaand advies worden opgevolgd:

1. Controleer of het voertuig over de juiste hulpmiddelen beschikt om een passagier in een rolstoel te vervoeren. Controleer tevens of de methode om in en uit het voertuig te komen, geschikt zijn voor uw type rolstoel. De vloer van het voertuig moet sterk genoeg zijn om het totale gewicht van de rolstoelgebruiker, de rolstoel en de accessoires te dragen.
2. Rondom de rolstoel dient voldoende ruimte te zijn om de spanbanden en veiligheidsgordels te bevestigen en de rolstoel goed en gemakkelijk vast te zetten en los te maken.
3. De stoel met daarin de gebruiker moet in de rijrichting worden geplaatst. De rolstoel dient te worden vastgezet met spanbanden en voor de gebruiker dienen veiligheidsgordels gebruikt te worden, waarbij wordt voldaan aan de normen ISO 10542 of SAE J2249 en aan de WTORS instructies van de fabrikant.
4. De rolstoel is niet getest in andere posities binnen een voertuig. De rolstoel met daarin de gebruiker mag nooit in zijwaartse richting worden vervoerd (Fig. A).

5. De rolstoel moet worden vastgezet met een bevestigingssysteem dat voldoet aan ISO 10542 of SAE J2249, met niet-verstelbare banden aan de voorzijde en verstelbare banden aan de achterzijde, die worden bevestigd door middel van karabijnhaken/S-haken en gesp en gordel bevestigingen. De bevestigingen bestaan doorgaans uit vier aparte banden die vastgemaakt worden aan iedere hoek van de rolstoel.
6. De verankeringsbanden moeten aan het frame van de rolstoel worden bevestigd zoals aangegeven in de tekening op de volgende pagina. Ze mogen niet worden bevestigd aan accessoires, wielspaken, wielvergrendeling, voetsteunen en dergelijke.
7. De verankeringsbanden dienen in een hoek van 45 graden zo dicht mogelijk bij de stoel bevestigd te worden; de banden moeten strak vastgezet worden in overeenstemming met de instructies van de fabrikant.
8. De verankeringspunten, frame en structurele onderdelen van de rolstoel mogen niet zonder overleg met de fabrikant worden gewijzigd of vervangen. Dergelijke wijzigingen kunnen de rolstoel van Sunrise Medical ongeschikt maken voor transport in een voertuig.
9. Zowel de heupgordel als de veiligheidsgordel voor het bovenlichaam moet worden gebruikt om de rolstoelgebruiker goed in de rolstoel te laten zitten. Hierdoor wordt het risico verkleind dat hoofd en borst in botsing komen met onderdelen van het voertuig. Tevens wordt risico verkleind dat de rolstoelgebruiker of de andere inzittenden van het voertuig gebliesseerd raken. (Fig. B) De bovenlichaamgordel dient bevestigd te worden aan de "B" stang van het voertuig. Indien dit wordt nagelaten, wordt het risico van ernstig (onder)buikletsel van de gebruiker vergroot.
10. Tijdens het transport dient men gebruik te maken van een hoofdsteun die geschikt is voor transport (zie etiket van de hoofdsteun). Deze moet gedurende het hele transport op de juiste wijze zijn aangebracht.
11. Lichaamsondersteunende gordels (zoals heupgordels) mogen niet worden gebruikt als veiligheidsgordel voor een rolstoelgebruiker, tenzij deze voldoen aan de normen zoals gespecificeerd in ISO 7176-19:2001 of SAE J2249.
12. De veiligheid van de rolstoelgebruiker tijdens het transport hangt af van de nauwkeurigheid waarmee de verankeringsbanden worden bevestigd. De persoon/personen die de verankering tot stand brengt/brengen, moet(en) op juiste wijze zijn geïnstrueerd en getraind.



Transport

13. Verwijder waar mogelijk hulpmiddelen en accessoires en berg deze veilig op. Hierbij kunt u denken aan: Krukken, losse kussens en werkbladen.
14. Een scharnierende/opgetilde beensteun mag zich niet in opgetilde positie bevinden tijdens transport van de rolstoel en gebruiker wanneer de rolstoel is verankerd met verankeringsbanden en veiligheidsgordels.
15. Een gekantelde rugleuning moet in rechte positie worden gezet.
16. De handmatige wielvergrendeling moet strak toegepast worden.
17. Veiligheidsgordels moeten worden bevestigd aan de "B" stang van het voertuig en mogen niet van het lichaam afgehouden worden door bijvoorbeeld armsteunen of wielen.

INSTRUCTIES VOOR VEILIGHEIDSGORDELS:

1. De heupgordel moet laag worden bevestigd over de voorzijde van de heup, zodanig dat de hoek van de heupgordel zich binnen de horizontale voorkeurszone van 30 tot 75 graden bevindt.
Hoe groter de hoek binnen deze begrenzing, hoe beter, maar de hoek mag nooit groter zijn dan 75 graden. (Fig. C)
2. De bovenlichaamgordel moet over de schouder en diagonaal over de borst worden gedragen, zoals op de afbeelding weergegeven. Fig. D en E
De gordels moeten zo strak mogelijk worden gebruikt, maar moeten altijd comfortabel zijn voor de gebruiker.
Veiligheidsriemen mogen niet gedraaid zitten tijdens gebruik.
De gordel voor het bovenlichaam moet dwars over de schouder worden bevestigd, zoals getoond in afbeeldingen D en E.

3. De bevestigingspunten van de stoel bevinden zich aan de binnenzijde aan de voorkant van het frame vlak boven het zwenkwiel en aan het frame aan de achterzijde. De banden worden rond het frame aan de zijkanten geplaatst waar de horizontale en verticale buizen van het frame elkaar kruisen. (Zie Fig. G-H).

4. Op het frame van de rolstoel wordt door middel van het symbool voor het verankeringspunt (Fig. F) aangegeven waar de verankeringsbanden geplaatst moeten worden. De banden worden strak getrokken nadat de banden aan de voorzijde zijn aangebracht om de rolstoel te borgen.

DE PLAATSIJNG VAN VERANKERINGSBANDEN OP DE ROLSTOEL:

1. Positie aan de voorzijde (Fig. G) en achterzijde, (Fig. H), van de sticker en het verankeringspunt.

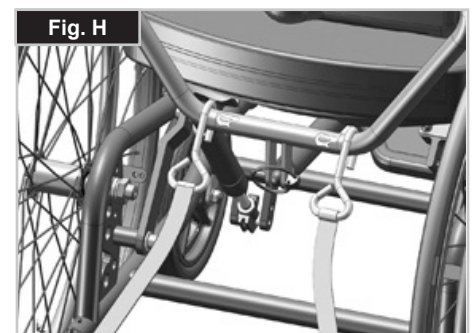
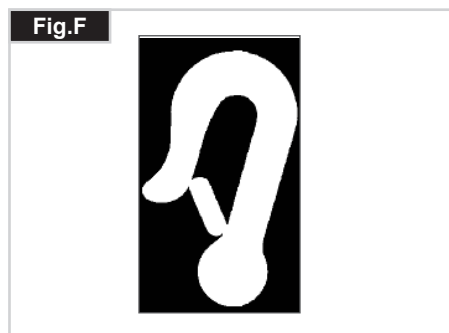
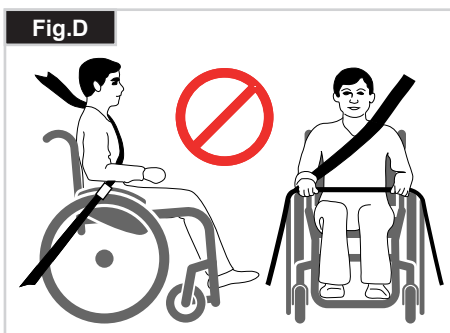
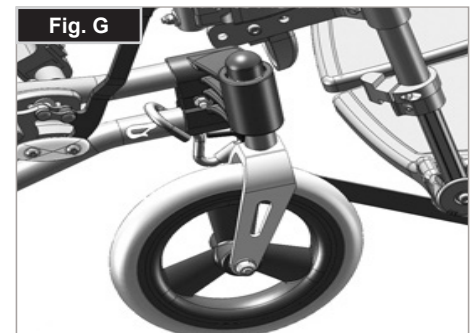
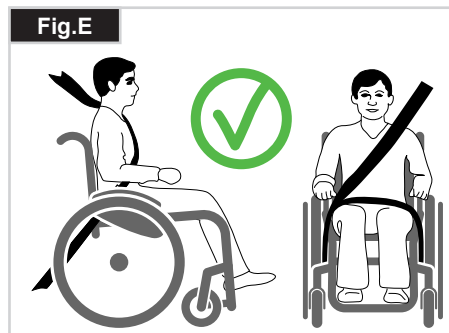
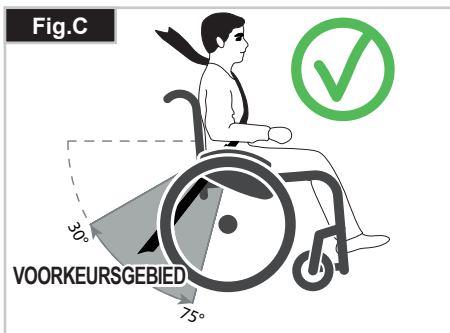
GEWICHT VAN GEBRUIKER MINDER DAN 22 KG

Wanneer de gebruiker die wordt vervoerd een kind is dat minder dan 22kg weegt, en het betrokken voertuig minder dan acht (8) inzittenden heeft, wordt het aanbevolen dat het kind wordt overgeplaatst naar een kinderzitje met veiligheidsgordels dat voldoet aan de UN-ECE R44 regelgeving.

Dit type gordelsysteem biedt een doelmatiger gordelsysteem dan het conventionele 3-puntsgordelsysteem. Daarbij bieden sommige kinderzitjes ook extra ondersteunende elementen waardoor de houding van het kind wanneer het zit, beter wordt ondersteund.

In sommige omstandigheden kunnen de ouders of zorgverleners overwegen om het kind in de rolstoel te laten zitten tijdens transport, als de rolstoelinrichting het kind veel lichaamsondersteuning en comfort biedt.

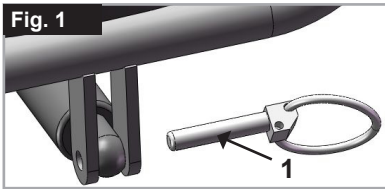
In dergelijke omstandigheden adviseren we een risicobeoordeling te laten uitvoeren door uw medische deskundige of andere relevante personen die over de vereiste kennis beschikken.



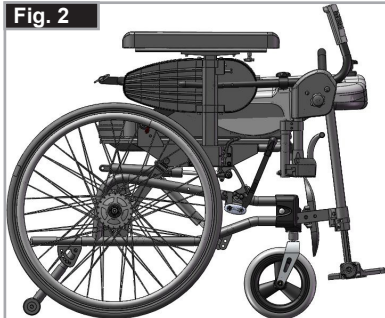
Gebruik

INKLAPPEN

De rugleuning kan naar voren worden gevouwen om transport van de rolstoel mogelijk te maken. Houd de rugleuning vast, zodat hij niet per ongeluk kan vallen. Verwijder de veiligheidspin (1) en vouw de rugleuning vervolgens naar voren.



Om de opgevouwen rolstoel nog kleiner te maken, kan het kussen van de zitting en de rug worden verwijderd.



⚠ WAARSCHUWING!

Gevaar voor letsel - Houd de rugleuning vast terwijl u hem ontgrendelt.

Om de rugleuning weer rechtop te zetten, vouwt u hem omhoog en plaatst u de veiligheidspin terug.

⚠ GEVAAR!

- Gevaar voor letsel - houd de rugleuning altijd vast terwijl u hem los- of vastmaakt.
- Controleer of de rugplaat op de juiste wijze en plaats is vergrendeld.

QUICK RELEASE ASSEN OP DE ACHTERWIELEN

De achterwielen zijn uitgerust met quick release assen. Zo kunt u de wielen zonder gereedschap monteren of verwijderen. Om een wiel te verwijderen, drukt u gewoon de quick release knop op de as in (1) en trekt u het wiel weg van de as (Fig. 3).



⚠ OPGELET!

Houd de quick release as ingedrukt terwijl u de as in het frame steekt om de achterwielen te monteren. Laat de knop los om het wiel op zijn plaats te vergrendelen. De quick release knop zou weer op zijn oorspronkelijke plaats moeten klikken.

ZONDER HULP IN UW ROLSTOEL GAAN ZITTEN

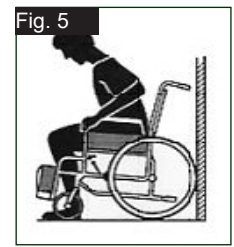
(Fig. 4)

- Duw de rolstoel tegen een muur, of een stevig meubel.
- De wielvergrendeling moet ingeschakeld zijn;
- De voetplaten moeten omhoog worden geklapt;
- Nu kunt u zich in de rolstoel laten zakken.
- Duw vervolgens de voetsteunen naar beneden; nu kunt u uw voeten hierop zetten, voor de hielbeugels.

ZONDER HULP UIT UW ROLSTOEL KOMEN

(Fig. 5)

- De wielvergrendeling moet ingeschakeld zijn;
- De wegklapbare voetplaten moeten worden weggeklapt;
- Steun op de armsteunen, buig enigszins voorover om uw lichaamsgewicht naar de voorzijde van de stoel te brengen. Zet uw beide voeten stevig op de grond, één voet naar achteren en duw uzelf omhoog naar een staande positie.



⚠ WAARSCHUWING!

- Ga bij het opstaan niet op de voetsteunen staan, hierdoor kantelt de rolstoel. Wanneer u wilt plaatsnemen in uw rolstoel, is het gemakkelijker en veiliger wanneer u de voetplaten omhoog klapt of verwijdert. Zo zitten ze u niet in de weg.
- Vergrendel altijd de wielen bij het in- of uitstappen van de rolstoel.

Opties – Trapdop

TRAPDOP

Begeleiders gebruiken de trapdop om een rolstoel over een obstakel te kantelen. Trap gewoon op de buis om een rolstoel bijvoorbeeld over een stoep of een trede te duwen (Fig. 6).



⚠ OPGELET!

Sunrise Medical adviseert nadrukkelijk om een trapdop te gebruiken op modellen met transitwielen. Ook als de rolstoel voornamelijk zal worden voortbewogen door een begeleider, adviseren wij het gebruik van een trapdop. Hierdoor wordt voorkomen dat schade aan de rugbuizen ontstaat doordat hieraan wordt getrokken wanneer de rolstoel over obstakels wordt geduwd.

Opties – Wielvergrendelingen

REMMEN

Uw rolstoel heeft twee wielvergrendelingen. Ze komen rechtstreeks op de banden terecht. Om de vergrendelingen te gebruiken, drukt u beide vergrendelingshendels naar voren tot tegen de aanslagen. Om de vergrendeling ongedaan te maken, trekt u de hendels weer naar hun oorspronkelijke positie.

Het remvermogen vermindert wanneer:

- het loopvlak van de band versleten is;
- de bandendruk niet voldoende is;
- de banden nat zijn;
- de wielvergrendelingen niet goed afgesteld zijn.

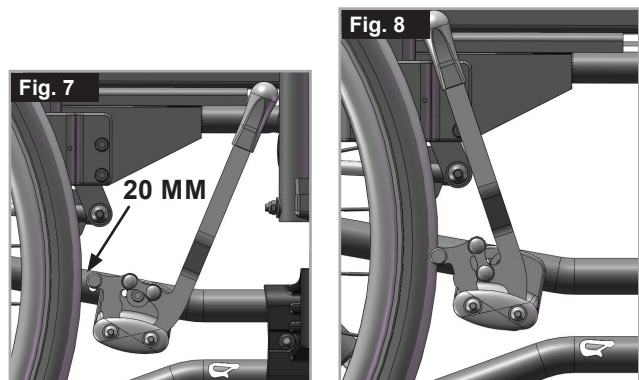
De wielvergrendeling is niet ontworpen om gebruikt te worden als remmen voor een bewegende rolstoel. U mag de wielvergrendelingen dan ook niet gebruiken om een bewegende rolstoel te doen remmen. Rem altijd met behulp van de hoepels. Zorg ervoor dat de afstand tussen de banden en de wielvergrendelingen voldoet aan de vermelde specificaties. Om die afstand aan te passen, draait u de schroef los en stelt u de juiste afstand in. Draai vervolgens de schroeven weer aan (Fig. 7-8).

⚠ OPGELET!

Telkens wanneer u de achterwielen hebt bijgesteld, moet u nagaan of de afstand tot de wielvergrendelingen in orde is. Pas die indien nodig aan.

Wanneer u de wielvergrendeling te dicht bij het wiel monteert, zal deze moeilijker te hanteren zijn. Hierdoor kan de verlengde hendel breken!

De hendel kan ook breken wanneer u op de verlenging gaat leunen tijdens transfers! Opspattend water en vuil van de banden kan slecht functioneren van de wielvergrendelingen veroorzaken.



TROMMELREMMEN

Trommelremmen helpen een begeleider om veilig en goed te remmen.

U kunt deze ook gebruiken met behulp van een vergrendelingshendel (1) om te voorkomen dat u wegrolt. U moet de hendel in zijn plaats horen klikken.

Trommelremmen werken onafhankelijk van de luchtdruk in de banden (Fig. 9).



⚠ WAARSCHUWING!

- U mag de trommelremmen alleen door erkende dealers laten aanpassen.
- Gebruik de 2 trommelremmen altijd tegelijkertijd zodat u de controle over de rijrichting behoudt!
- Trommelremmen kunnen uitsluitend als dynamische rem worden gebruikt om de rolstoel te stoppen wanneer deze in beweging is.
- Schakel altijd de wielvergrendeling in tijdens een lange of korte stop, of bij het overplaatsen van de gebruiker, om de rolstoel op zijn plaats te houden.

Opties - Voetenplaten

VOETENPLATEN:

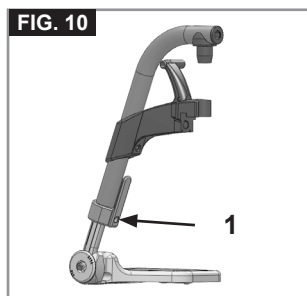
De voetplaten kunnen worden opgeklapt om makkelijker in en uit uw rolstoel te komen.

LENGTE VAN HET ONDERBEEEN:

Voor gebruikers met langere benen, kan de voetsteun tot het juiste niveau worden verlaagd met gebruik van de schroeven (1). Draai de schroeven los, druk de buizen naar de gewenste positie en draai de schroeven daarna opnieuw aan (zie onderdeel over draaimoment). Er moet altijd 2,5 centimeter ruimte tussen de voetplaten en de grond zijn, (Fig. 10).

VOETSTEUNEN EN ONTGRENDELKNOP

De voetsteunen kunnen in- en uitwaarts worden gezwaaid onder het zitjuk. Bij het aanbrengen van de voetsteunen, moeten de voetsteunen naar binnen of buiten zijn gericht. Draai de voetsteun naar binnen tot hij op zijn plaats vastklikt. Om de voetsteunen te verwijderen trekt u aan de hendel (1), zwaait u de voetsteunen naar binnen of buiten en heft u ze op om ze te verwijderen. Zorg ervoor dat de voetsteun goed op zijn plaats vastklikt, (Fig. 11).



⚠ OPGELET!

- De voetsteunen mogen niet worden gebruikt om de stoel te tillen of te dragen wanneer de gebruiker in de stoel zit.
- Gebruik de voetplaten niet als u in of uit de rolstoel stapt. Deze moeten voordien omhoog worden gekanteld of de voetsteun moet zover mogelijk naar buiten worden geduwd.

Opties - Amputatiebeschermer

AMPUTATIEBESCHERMER

(Fig. 12).

De amputatiebeschermer kan in elke richting, naar wens worden aangepast.



FIG. 12

Opties - Lengte compenserende beensteunen

OPTIE LENGTE COMPENSERENDE BEENSTEUN

(Fig. 13-15)

Om de voetplaat te verwijderen, trekt u aan de hendel (1), zwaait u de voetplaat naar buiten en tilt u de beensteun op om deze te verwijderen.

AANPASSING HOOGTE:

De onderbeenlengte is zeer flexibel en kan worden aangepast door de schroef (2) los te maken. Stel de geschikte hoogte in en draai de schroef weer aan.

⚠️ OPGELET!

De afstand tussen de voetplaat en de grond moet minstens 40 mm zijn.

AANPASSING HOEK:

Duw met één hand de hendel (3) naar beneden, terwijl u met de andere hand de beensteun ondersteunt om het gewicht weg te nemen. Wanneer een geschikte hoek is bereikt, laat u de hendel los; de beensteun zal in één van de vooraf ingestelde posities vergrendelen.

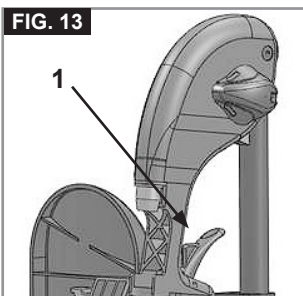


FIG. 13

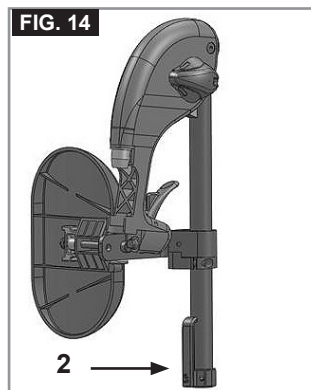


FIG. 14

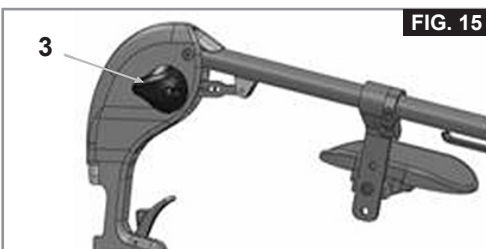


FIG. 15

AANPASSEN VAN HET KUITKUSSEN

(Fig. 16).

Het kuitkussen kan als volgt worden aangepast:

Hoogte: draai de bout (4) open en verplaats het kuitkussen naar de gewenste positie. Door het kuitkussen te draaien kan ook de hoek worden aangepast.

Diepte: draai de bout (5) open en beweeg het kuitkussen in de gewenste positie.

Breedte: draai de bout (5) open en plaats de ringetjes (6) achter het kussen, om de gewenste positie in te stellen.

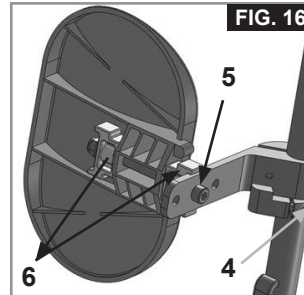


FIG. 16

⚠️ WAARSCHUWING!

- Houd uw handen weg van het aanpassingsmechanisme tussen het frame en de beweegbare onderdelen van de voetsteun terwijl u de voetsteun verhoogt of verlaagt.
- Controleer altijd of de bevestigingsmaterialen goed vast zitten.
- De voetsteunen mogen niet worden gebruikt om de rolstoel op te tillen of te dragen.
- Vingers kunnen bekneld raken! Als de voetsteunen omhoog of omlaag worden bewogen, mag u uw vingers niet in het aanpassingsmechanisme tussen de bewegende onderdelen van de voetsteun plaatsen.

Opties - Zwenkwielen

ZWENKWIELEN, BALHOOFDEN, VOORVORKEN

Het kan gebeuren dat de rolstoel iets afwijkt naar links of naar rechts of dat de zwenkwielen wiebelen. Dat kan door de volgende zaken komen:

- De voorwaartse en/of achterwaartse wielbeweging is niet goed ingesteld.
- De camber is niet goed afgesteld.
- De luchtdruk van het zwenkwiel en/of van het achterwiel is niet goed; de wielen draaien niet soepel genoeg.
- De rolstoel beweegt niet in een rechte lijn als de zwenkwielen niet goed zijn aangepast.

⚠️ WAARSCHUWING!

- U moet de voorwielen laten afstellen door een erkend dealer.
- Telkens als de positie van het achterwiel is gewijzigd, moet de wielvergrendeling worden gecontroleerd.

Opties - Zwenkwieladaptor

AANPASSINGEN VAN DE ZITHOOGTE:

De zithoogte wordt bepaald door de positie van het achterwiel en het zwenkwiel. De zithoogte kan worden aangepast door het gebruik van verschillende maten achterwielen en door het wijzigen van de positie van de achterwielen en de zwenkwielen door Afstandstukken te gebruiken.

⚠️ OPGELET!

- Nadat de zithoogte is aangepast, moeten alle schroeven opnieuw worden vastgedraaid.
- De hoek van het zwenkwiel moet op 90° worden afgesteld.
- De hoogte van de zitting moet daarom altijd aan de voor- en achterzijde gelijk zijn.

Opties - Rugleuning

COMFORT RUGLEUNING

(Fig. 17 tot 19).

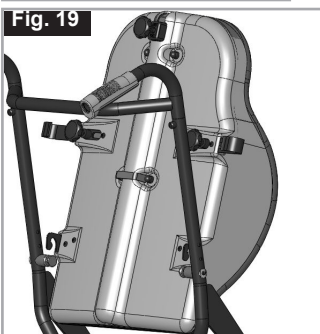
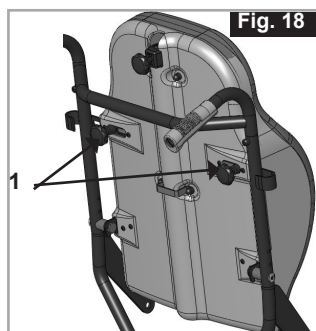
De comfort rugleuning geeft laterale ondersteuning en biedt de mogelijkheid om gedurende lange tijd comfortabel te zitten.

De rugplaat kan worden verwijderd door de knoppen (1) te draaien en ze naar buiten te duwen. Door de rugplaat naar voren/boven te bewegen komt hij los uit de geleiderails.

Het kussen wordt bevestigd door middel van Velcro klittenband en kan ook worden verwijderd.

⚠️ WAARSCHUWING!

Zorg ervoor als u de rugplaat monteert, dat deze op de juiste wijze aan de geleiderails wordt vastgemaakt en goed wordt vergrendeld.



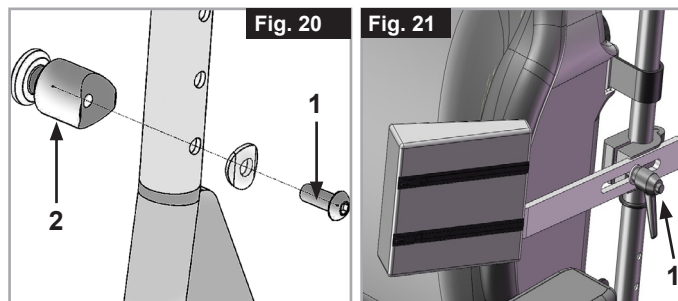
Opties - Rugleuning

HOOGTE INSTELBARE RUGLEUNING

De hoogte van de rugleuning kan in 4 verschillende posities worden ingesteld. Maak de schroeven (1) los en verwijder ze. Vervolgens zet u de geleiderails (2) in de gewenste positie. Draai de bouten weer aan, (Fig. 20).

ROMPSTEUN

De hoek, diepte en hoogte van de rompsteun kunnen worden aangepast. Door de vergrendelingshendel te draaien, kan de rompsteun worden weggeklapt (1). (Fig. 21)



VERSTELBARE RUGLEUNING (0° - 35°)

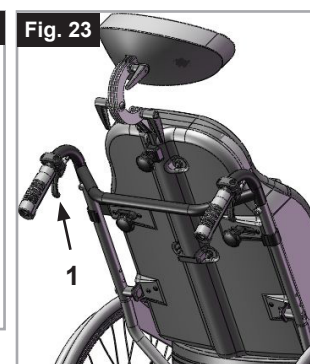
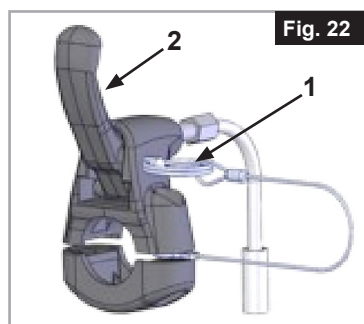
⚠️ OPGELET!

Verwijder de vergrendelingspen (1) voor u begint (Fig. 22).

Door aan de hendel (2) te trekken, kunt u de rugleuning ontkoppelen en in de gewenste positie zetten. Nadat u de hendel (1) loslaat, zal de rugleuning automatisch op zijn plaats klikken en vergrendelen. (Fig. 23).

⚠️ WAARSCHUWING!

- Wij adviseren om in combinatie met de kantelbare rugleuning anti-tip wielen te gebruiken (max. vrije grond ruimte 3-5 cm).
- Wijzig de hoek van de rugleuning nooit terwijl de rolstoel op een helling staat.
- Controleer of de vergrendelingspen is teruggeplaatst.



Opties - Zijbescherming

IN HOOGTE VERSTELBARE ARMSTEUNEN

Om de hoogte aan te passen, rekt u de hendels (1) en duwt de armléuning naar de gewenste hoogte. Zorg er daarna voor dat de hendel (1) weer op zijn plaats is vergrendeld. Om de zijkanten volledig te verwijderen, drukt u op de hendel (2). Wanneer de zijkant wordt aangebracht, moet u ook de hendel (2) indrukken. Controleer altijd of de zijkant op de juiste wijze vergrendeld is. (Fig. 24).

WAARSCHUWING!

Wanneer u de hoogte van de armléuning verandert, loopt u het risico dat uw vingers beklemd raken.

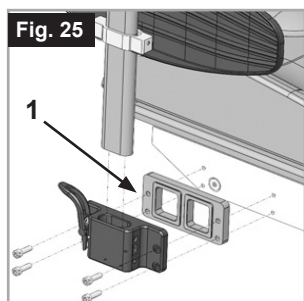
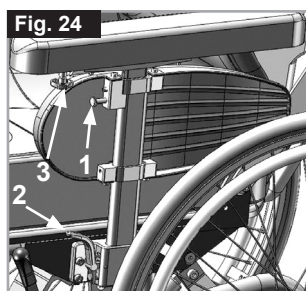
De positie van het armkussen kan worden veranderd door de stervormige knop (3) los te draaien en het kussen in de gewenste positie te plaatsen (Fig. 24).

Controleer of de knop goed is aangedraaid!

Om de stoelbreedte met 2 cm te vergroten, kan het binnenste kussen worden verwijderd en/of 2 pasringen (1) worden toegevoegd (Fig. 25).

OPGELET!

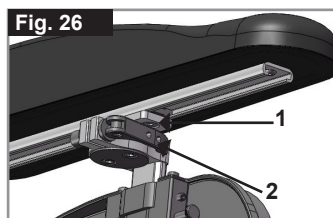
Wanneer de armsteunen naar buiten worden verplaatst, moeten de achterwielen eveneens naar buiten worden verplaatst (Fig. 25).



Opties – Armsteun, hemiplegie

ARMSTEUN, HEMIPLEGIE

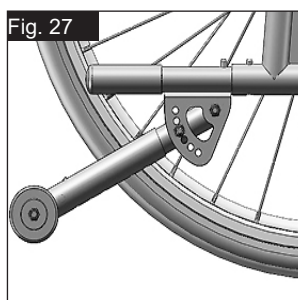
De hemiplegie-armsteun kan zowel qua lengte als hoek worden ingesteld. U kunt de lengte instellen door de armsteun te duwen na de 2 draaischroeven (1) los te hebben gedraaid. Om de hoek aan te passen, opent u de vergrendelingshendel (2) en draait u de armsteun naar de gewenste positie. Draai vervolgens de hendel weer aan (Fig. 26).



Opties – Anti-tip wielen

ANTI-TIP WIELEN

Anti-tip wielen bieden bijkomende veiligheid voor onervaren gebruikers wanneer deze nog leren hoe de rolstoel te gebruiken. Anti-tip wielen voorkomen dat de rolstoel naar achteren kantelt. De anti-tip buis moet zover in de buis van het frame worden geplaatst dat de eerste van de twee knoppen in het eerste gat in het frame valt, (Fig. 27).



WAARSCHUWING!

Wanneer de anti-tip wielen verkeerd zijn aangebracht, wordt het gevaar op achterwaarts kantelen groter. U moet de anti-tip omhoog klappen wanneer u over grote obstakels, zoals een stoep, rijdt. Zo voorkomt u dat ze met de grond in aanraking komen. Daarna kunt u ze in de normale positie terugzetten.

OPMERKING: Duw de anti-tip niet zover in de buis van het frame dat beide knoppen in de buis komen. Hierdoor kan de anti-tip beschadigen en het gewenste effect wordt verkleind. Door op de tweede zichtbare ontgrendelingsknop te drukken, kan de anti-tip omhoog worden gebracht of worden verwijderd. Er moet altijd tussen de 3 cm en 5 cm afstand zijn tot aan de grond. U moet de wielen naar voren zwaaien wanneer u grote hindernissen (bijv. stoep) op- of afrijdt, om aanraking met de grond te vermijden. Draai de anti-tip wielen vervolgens weer naar beneden in de normale positie (Fig. 27).

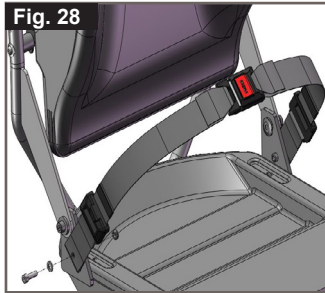
Opties – Heupgordel

HEUPGORDEL



Controleer, voordat u uw rolstoel gebruikt, of de heupgordel correct is aangepast en vastgemaakt.

De heupgordel dient aan de rolstoel bevestigd te zijn zoals getoond op de afbeeldingen. De gordel bestaat uit twee delen. Ze worden bevestigd d.m.v. de aanwezige schroef, die door het ringetje van de gordel wordt gestoken. De gordel wordt onder de achterzijde van het zijpaneel geleid. (Fig. 28).



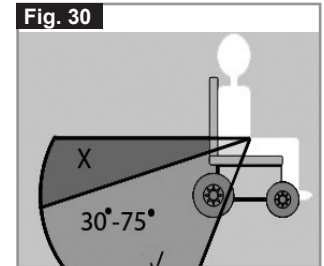
Pas de gordel zodanig aan dat de sluiting zich in het midden van de stoel bevindt.

De heupgordel wordt als volgt aangepast aan de wensen van de gebruiker:

Om de lengte van de gordel te vergroten	Om de lengte van de gordel te verkorten	
Om de gordel langer te maken, haalt u het niet-gebruikte deel van de gordel door de geleiders en gesp.	Haal vervolgens het niet-gebruikte deel van de gordel door de gesp en geleiders.	Controleer of de gordel niet om de sluiting is gedraaid.

Controleer na het vastmaken de ruimte tussen de gordel en de gebruiker. Als men een vlakke hand tussen de gordel en het lichaam van de gebruiker kan steken (niet meer en niet minder), is de gordel correct aangemeten. (Fig. 29)

Over het algemeen moet de heupgordel zodanig bevestigd zijn dat de gordel in een hoek van 45° vastgemaakt kan worden. Als de gordel op de juiste wijze bevestigd is, kan de gebruiker niet in de rolstoel naar beneden glijden. (Fig. 30).



Om de sluiting te sluiten: Steek de tanden van de gesp in de sluiting.	Om de sluiting los te maken: Druk de zijkanten van de gesp naar binnen / druk op de drukknop van de gesp terwijl u de twee gespdelen rustig uit elkaar trekt.

NUTTIGE TIPS



- Gebruik niet alleen de heupgordel tijdens transport van de gebruiker en rolstoel in een voertuig. Gebruik ook de afzonderlijke heupgordel en diagonale veiligheidsgordels die in het voertuig aanwezig zijn.
- Sunrise adviseert om de heupgordel voor gebruik te controleren om er zeker van te zijn dat de gordel op juiste wijze is aangebracht, niet gehinderd wordt, niet versleten is en de sluiting goed gesloten is.
- Wanneer niet wordt gecontroleerd of de heupgordel in goede staat is en correct omgedaan is, kan dit leiden tot ernstig letsel van de scootmobielgebruiker. Een te losse gordel kan er bijvoorbeeld toe leiden dat de rolstoelgebruiker naar beneden glijdt, waarbij gevaar op verstikking ontstaat.

ONDERHOUD:

Controleer de gordel en de bevestigingsmaterialen geregeld op slijtage of beschadiging. Vervang de gordel indien noodzakelijk. Maak de gordel schoon met warm water en zeep en laat hem vervolgens drogen.

⚠ GEVAAR!

- De heupgordel moet naar wens van de gebruiker worden aangepast, zoals hierboven wordt getoond. Sunrise Medical adviseert tevens dat de lengte en 'pasvorm' geregeld worden gecontroleerd om te voorkomen dat de rolstoelgebruiker de gordel ongewild heeft aangepast en te lang heeft gemaakt.
- Als u twijfelt over het gebruik en de werking van de gordel, vraag dan uw medische deskundige of rolstoelleverancier.

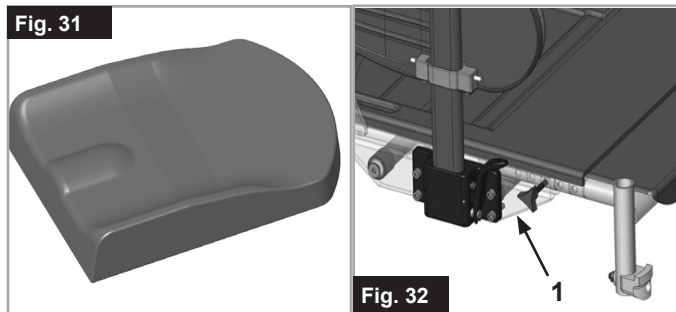
Opties - Zitsysteem

COMFORT ZITTING (FIG. 31).

De comfort zitting is een anatomisch gevormd kussen dat het mogelijk maakt gedurende langere tijd comfortabel te zitten. Het kussen wordt op zijn plaats gehouden door middel van Velcro klittenband, en kan ook worden verwijderd. De hoes kan gewassen worden (zie de wasinstructies op het kussen).

ZITDIEPTE (FIG. 32).

Nadat u aan beide zijden de sterknop (1) hebt losgedraaid, kan de zitdiepte in stappen van 2 cm worden aangepast. Deze worden aangegeven door de markering op de stang van de zitting en op het etiket op de zitplaat. Zet in de gewenste positie en draai beide sterknoppen weer vast.



⚠ OPGELET!

- De maximale zitdiepte (zie markering en eindstop) mag niet worden overschreden.
- Zorg ervoor dat de sterknoppen altijd uitgelijnd zijn met een passend gat en strak aangedraaid zijn.

AANPASSING ZITBREEDTE

U kunt de zitbreedte van uw rolstoel vergroten door de binnenste kussen te verwijderen, of pasringen toe te voegen (zie optie zijkant).

VERSTELBARE HOEK VAN ZITTING (0°-25° / -3 -22°)

Verwijder voor u begint de vergrendelingspen (1) (Fig. 33).

Door aan de hendel (2) te trekken, wordt de zitting ontkoppeld en kan deze in de gewenste positie worden gezet (Fig. 34). Wanneer u de hendel loslaat, wordt de zitting automatisch in de nieuwe positie vergrendeld.

⚠ GEVAAR!

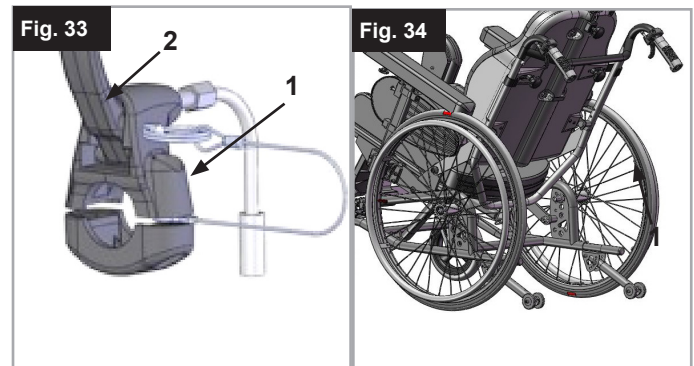
- Wijzig de hoek van de rugleuning nooit terwijl de rolstoel op een helling staat.
- De zitting met verstelbare hoek mag uitsluitend worden gebruikt in combinatie met anti-tip wielen.

⚠ WAARSCHUWING!

U kunt met uw vingers beklemd raken terwijl u de zitting aanpast.

⚠ OPGELET!

Om goed functioneren van de kabels te garanderen, mogen deze nooit strak gespannen zijn.



Opties - Abductiekussen

ABDUCTIEKUSSEN

Door de schroef (1) los te draaien, kan het abductiekussen in hoogte worden aangepast. Door de schroeven (2) los te draaien, kan de diepte van het kussen worden aangepast of het abductiekussen worden verwijderd (Fig. 35).

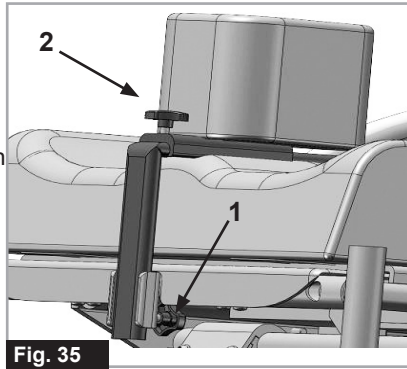


Fig. 35

Opties – Duwhandvatten

IN DE HOOGTE VERSTELBARE DUWHANDVATTEN

Door de stervormige knoppen (1) los te draaien, kunt u de duwhandvatten op een hoogte plaatsen die voor u prettig is. Controleer altijd na aanpassing van de hoogte van de duwhandvatten of de stervormige knoppen (1) goed zijn aangedraaid, (Fig. 36).

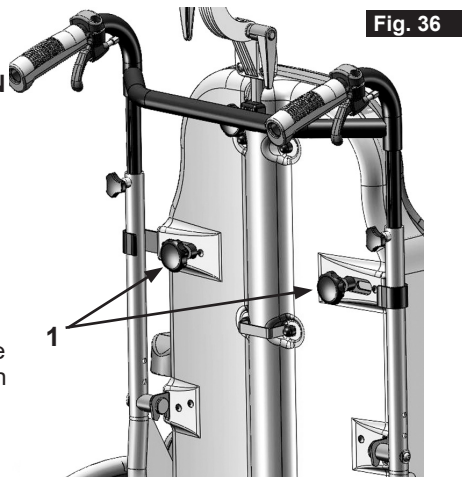


Fig. 36

⚠ GEVAAR!

Als deze knoppen niet goed zijn aangedraaid, kan dit leiden tot verwondingen wanneer de rolstoel over obstakels wordt getild.

Opties – Hoofdsteunen

COMFORT HOOFDSTEUN

U kunt de hoofdsteun verhogen (1) en naar voren en naar achteren bewegen, (2-3-4). Hiertoe draait u simpelweg de betreffende ontgrendelingshendels los, zet u de hoofdsteun in de gewenste positie, en draait u de hendels weer vast, (Fig. 37).

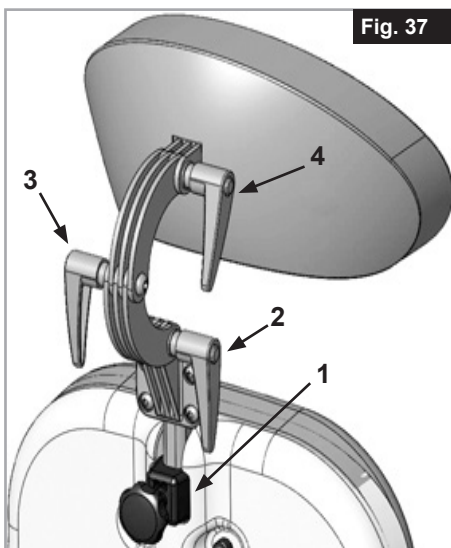


Fig. 37

HOOFDSTEUN 3 WING

U kunt de hoofdsteun verhogen (1) en naar voren en naar achteren bewegen, (2-3-4). De middelste lijn van de hoofdsteun kan ook worden aangepast (5). Hiertoe draait u simpelweg de betreffende ontgrendelingshendels/knoppen los, zet u de hoofdsteun in de gewenste positie, en draait u de hendels/knoppen weer vast (Fig. 38-39).

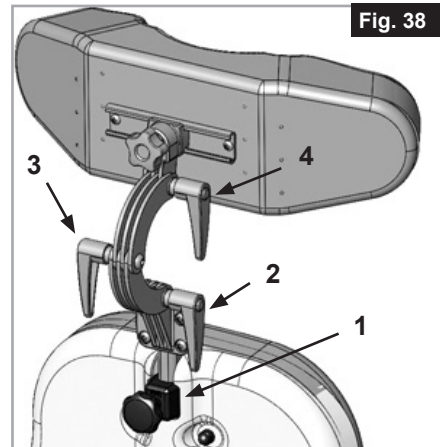


Fig. 38

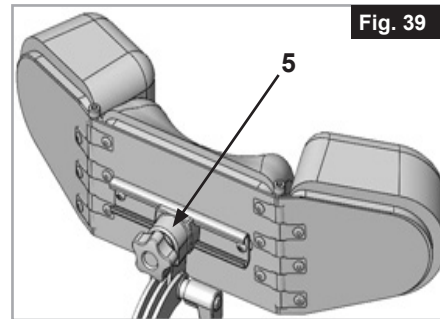


Fig. 39

Opties - Werkblad

WERKBLAD

Hiermee kunt u krukken meenemen op de rolstoel. Alvorens u een blad gebruikt, moet een erkende dealer dat aanpassen aan de breedte van de zitting.

OPMERKING: Tijdens de proefrit moet u in de rolstoel zitten, (Fig. 40).

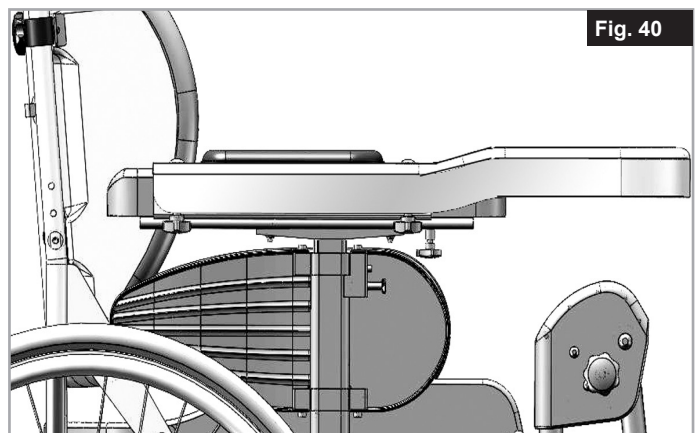


Fig. 40

Sticker

STICKER

De sticker bevindt zich of op het kruisframe, of op de dwarsstang van het frame. Ook vindt u een sticker met gegevens in de gebruikershandleiding. Op de sticker met het serienummer staat ook de precieze naam van het model en andere technische gegevens. Wanneer u vervangingsonderdelen bestelt of een schadeclaim indient, moet u de volgende gegevens vermelden:



	SUNRISE MEDICAL		Sunrise Medical GmbH Kahlbachring 2-4 D-69254 Malsch / Germany		XXXX-XX-XX
TYPE:		Wheelchair, Rollstuhl, Fauteuil Roulant, Silla de Ruedas		SN	XXXXXXXXXXXXXXXXXX
Relax2		ISO 7176-19:2008			
	XXX kg		max X°		XXX mm

Relax2	Naam product, SKU nummer
	De maximale veiligheidsmarge bij hellingen met anti-tip wielen hangt onder andere af van de instellingen, postuur en fysieke capaciteiten van de gebruiker.
	Breedte zitsysteem.
	Diepte (max.)
	Maximale belasting.
	CE-keurmerk
	Gebruikershandleiding
	XXXX-XX-XX Productiedatum
	Serienummer.
	Dit symbool betekent Medisch apparaat.
	Adres fabrikant.
ISO 7176-19:2008	Crashtest met goed gevolg doorstaan in overeenstemming met: ISO 7176-19:2008.

Ons beleid is erop gericht het ontwerp van onze scootmobielen voortdurend te verbeteren. Hierdoor kunnen productspecificaties enigszins afwijken van de getoonde voorbeelden. Alle gewichten, afmetingen en gegevens betreffende prestaties zijn bij benadering en dienen slechts als richtlijn.

Sunrise Medical voldoet aan de Regelgeving Medisch hulpmiddel (EU) 2017/745.

Alle rolstoelen moeten worden gebruikt in overeenstemming met de gebruiksaanwijzing van de fabrikant.

Sunrise Medical GmbH
Kahlbachring 2-4
69254 Malsch/Heidelberg
Deutschland
Tel.: +49 (0) 7253/980-0
Fax: +49 (0) 7253/980-222
kundenservice@sunrisemedical.de
www.SunriseMedical.eu

Dagelijkse controle

OPGELET!

Als gebruiker bent u de eerste die mogelijke gebreken. Wij adviseren dat u voor ieder gebruik de onderstaande lijst afwerkt:

- Controleer of de bandenspanning correct is.
- Controleer of de wielvergrendeling correct werkt.
- Controleer of alle verwijderbare onderdelen, zoals armsteun, voetsteun, quick-release as en dergelijke, goed vast zitten.
- Controleer op zichtbare schade aan bijvoorbeeld het frame, de rugleuning, bespanning van zitting en rugleuning, wielen, voetplaten enzovoorts.
- Als u schade of slecht functionerende onderdelen ontdekt, neem dan contact op met uw erkende dealer.

Banden en montage

BANDEN EN MONTAGE

De rolstoel wordt af fabriek standaard met massieve banden geleverd.

Wanneer u gebruikmaakt van luchtbanden, zorg er dan voor dat u de juiste bandenspanning houdt, want de bandenspanning beïnvloedt de prestaties van de rolstoel. Als er niet genoeg druk op de banden staat, zal de rolweerstand toenemen waardoor u een grotere inspanning moet leveren om de rolstoel voort te bewegen; bovendien maakt een lage bandendruk de rolstoel minder wendbaar. Als de bandendruk te groot is, kan de band springen. De juiste druk voor een bepaalde band staat vermeld op het oppervlak van de band zelf, (Max. 3,5 bar).

De banden zijn op dezelfde manier op de velg aan te brengen als gewone fietsbanden. Alvorens u een nieuwe binnenband oplegt, moet u altijd controleren of er zich geen vreemde voorwerpen bevinden op de basis van de velg en de binnenzijde van de band. Controleer de druk nadat u een band opgelegd of hersteld hebt. Het is voor uw veiligheid en voor de goede werking van uw rolstoel van erg groot belang dat de voorgeschreven luchtdruk altijd gehandhaafd blijft en dat de banden in goede conditie zijn.

Algemeen onderhoud

ONDERHOUD

- Controleer de bandendruk om de 4 weken. Controleer alle banden op slijtage en beschadiging.
- Controleer de wielvergrendeling ongeveer iedere vier weken om u ervan te verzekeren dat deze correct functioneert.
- en makkelijk te bedienen zijn.
- Verander de banden zoals u dat bij een gewone fiets zou doen.
- Alle verbindingen die van essentieel belang zijn voor het veilige gebruik van uw rolstoel zijn zelfvergrendelend.
- Controleer om de 3 maanden of alle bouten stevig vast zitten (zie hoofdstuk over de koppelsleutel).
- U mag borgmoeren maar één keer monteren en u moet ze vervangen na een bepaalde gebruikperiode.
- Gebruik alleen zachte (niet agressieve) schoonmaakproducten om uw rolstoel schoon te maken. Gebruik alleen water en zeep wanneer u de bekleding van de stoel en de heupgordel reinigt.
- Droog uw rolstoel af wanneer deze tijdens gebruik nat is geworden. Zo voorkomt u roest en zoutcorrosie.
- Om de 8 weken ongeveer moet u een klein beetje naaimachine-olie op de quick-release-assen aanbrengen. Afhankelijk van hoe frequent u uw rolstoel gebruikt, raden we aan dat u om de 12 maanden met uw rolstoel naar uw dealer gaat waar gespecialiseerd personeel hem kan nakijken.

OPGELET!

Zand en zeewater (of zout in de winter) kan de rollagers van de voor- en achterwielen beschadigen. Maak de rolstoel grondig schoon nadat die aan zand en zeewater is blootgesteld.

De onderstaande onderdelen kunnen worden verwijderd en voor reparatie teruggezonden naar de fabrikant/dealer: Achterwielen, armsteunen, hanger, anti-tip wielen Deze onderdelen zijn als reserveonderdelen beschikbaar. Meer informatie hierover vindt u in de handleiding onderdelen.

HYGIËNEMAATREGELEN ALS DE STOEL WORDT GEBRUIKT DOOR NIEUWE GEBRUIKER:

Wanneer de rolstoel door een nieuwe gebruiker in gebruik wordt genomen, moet de rolstoel zorgvuldig schoongemaakt worden, waarbij met desinfecterende spray alle oppervlakten waar de nieuwe gebruiker mee in aanraking komt, worden gereinigd.

Hierbij moet u een vloeibaar snelwerkend desinfecterend middel met alcohol gebruiken, dat geschikt is voor medische producten, wanneer een snel effect gewenst is. Let op de instructies van de fabrikant van het ontsmettingsmiddel dat u gebruikt.

Over het algemeen is ook een veilig desinfecterend middel niet gegarandeerd bij naden. Daarom adviseren we dat u, in geval van microbacteriële infecties, de stoel- en rugleuning verwijdert volgens de geldende wetgeving inzake besmettelijke ziekten.

OPSLAG

Berg de rolstoel op/bewaar de rolstoel op een droge plaats.

Mogelijke problemen

ROLSTOEL TREKT NAAR ÉÉN KANT

- Controleer de bandenspanning (geldt alleen voor luchtbanden).
- Controleer of het wiel vlot draait (lagers, as)
- Controleer of de hoeken van de zwenkwielen gelijk zijn en of de wielen goed contact maken met de grond.
- Controleer of de lagers van de wielvork vrij draaien.

VOORWIELEN BEGINNEN TE WIEBELEN

- Controleer hoeken van zwenkwielen
- Controleer of alle bouten vast zitten; draai ze indien nodig vast (zie hoofdstuk over de koppelsleutel)
- Controleer of beide voorwielen de grond goed raken

ROLSTOEL PIEPT EN RAMMELT

- Controleer of alle bouten vast zitten; draai ze indien nodig vast (zie hoofdstuk over de koppelsleutel)
- Breng een beetje smeerolie aan op plaatsen waar beweegbare delen met elkaar in contact komen

ROLSTOEL BEGINT TE WIEBELEN

- Controleer hoek waarin voorwielen ingesteld zijn
- Controleer bandendruk
- Controleer of achterwielen verschillend ingesteld zijn

SCHOKBREKERS EN KABELS



OPGELET!

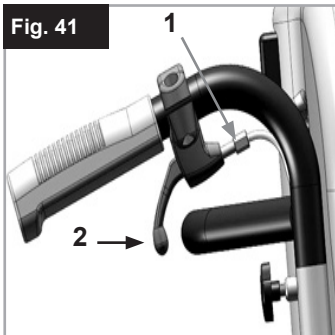
Om vermindering van de functie te voorkomen, moet u ervoor zorgen dat de kabels nooit te strak gespannen zijn.

PROBLEEM:

Speling in de hendel

OPLOSSING:

Maak de stelschroef (1) los totdat de hendel (2) geen speling meer heeft (Fig. 41).



INSTELLING VAN DE HOEK VAN DE ZITTING

PROBLEEM:

De zitting gaat uit positie, zonder de vergrendeling van de schokbreker te gebruiken.

OORZAAK:

De Bowdenmantel op de schokbreker zijn te strak gespannen.

OPLOSSING:

Stel de Bowdenmantel op de stelschroef (1).



OPGELET!

Voorkom dat er een knik in de Bowdenmantel komt.

Als er een knik in zit, moet de kabel worden vervangen.

Afvalverwerking / recycling van materialen

OPMERKING: Wanneer u de rolstoel gratis heeft ontvangen, is deze mogelijk niet uw eigendom. Wanneer u de rolstoel niet langer nodig hebt, volg dan de instructies op van de organisatie van wie u de rolstoel hebt ontvangen. De organisatie wil de rolstoel vermoedelijk terug hebben.

De onderstaande informatie heeft betrekking op de in de rolstoel en verpakking gebruikte materialen, voor wat betreft de afvalverwerking of recycling van de rolstoel en het verpakkingsmateriaal. Er kan specifieke wetgeving bestaan in uw land of woonplaats; neem deze wet- of regelgeving in overweging, wanneer u de rolstoel naar de afvalverwerking wilt brengen. (Dit kan inhouden dat u de stoel voor verwijdering naar de afvalverwerking moet schoonmaken en ontsmetten).

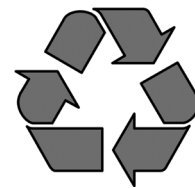
Staal: Bevestigingsmateriaal, QR assen, zijkanten, armsteunen, frame, beensteunen, duwhandvatten.

Plastic: Handgrepen, zwenkwielvorken, dopjes, zwenkwielen, voetplaten, armkussens, 12" wiel/banden, wielen, zijkant.

Verpakking: Lage-dichtheid polyethyleen zak, kartonnen doos.

Bekleding: Geweven polyester met PVC coating en geëxpandeerd gevormd schuim.

Afvalverwerking of recycling dient plaats te vinden via een erkende agent, afvalverwerking met vergunningen. Als alternatief kunt u uw handbike ook terugbrengen naar uw dealer voor verdere afvalverwerking.



Introducción

Estimado cliente,

Gracias por haber escogido una silla de ruedas de SUNRISE MEDICAL.

Este manual de instrucciones le proporcionará soluciones e ideas para que pueda obtener el mejor rendimiento de su nueva silla de ruedas.

Mantener lazos de unión con nuestros clientes significa mucho para SUNRISE MEDICAL. Por eso queremos mantenerle informado de nuestros nuevos productos. Un contacto cercano con nuestros clientes es sinónimo de: servicio rápido, papeleo simplificado y comunicación permanente. Cuando necesite repuestos o accesorios, o simplemente si tiene una duda con respecto a su silla de ruedas, estamos aquí para ayudarle.

Queremos que se sienta satisfecho con nuestros productos y nuestro servicio. En Sunrise Medical estamos trabajando permanentemente para desarrollar nuestros productos más aún. Por esta razón pueden producirse cambios en la forma, tecnología o equipamientos de nuestros productos. Por consiguiente, no se aceptarán reclamaciones por la información o las imágenes recogidas en este manual.

El sistema de gestión de SUNRISE MEDICAL cuenta con las certificaciones DIN EN ISO 9001, ISO 13485 e ISO 14001.

CE Como fabricante, SUNRISE MEDICAL, declara que sus sillas de ruedas ligeras se ajustan al Reglamento de Dispositivos Médicos (2017/745).

NOTA:

Información general para el usuario.

No seguir estas instrucciones puede resultar en daños físicos, daños al producto o daños para el medio ambiente.

Aviso al usuario y/o paciente: cualquier incidente grave que haya ocurrido en relación con el producto debe comunicarse al fabricante y a la autoridad competente del Estado Miembro en el que esté establecido el usuario y/o el paciente.

B4Me - Adaptaciones especiales

Sunrise Medical recomienda encarecidamente que para garantizar que su producto fabricado a través del servicio de sillas personalizadas B4Me funcione según lo previsto por el fabricante; toda la información proporcionada con su producto B4Me se lee y se comprende antes de utilizarlo por primera vez.

Sunrise Medical también recomienda que dicha información no se deseche después de leerla, sino que se guarde de forma segura para futuras referencias.

Combinaciones de dispositivos médicos

Es posible combinar este dispositivo médico con uno o más dispositivos médicos u otros productos. La información sobre qué combinaciones son posibles se encuentra en www.SunriseMedical.es. Todas las combinaciones enumeradas se han validado para cumplir con los Requisitos Generales de Seguridad y Rendimiento, Anexo I No. 14.1 de la Regulación de Dispositivos Médicos 2017/745.

Puede encontrar asesoramiento sobre las combinaciones, y el montaje en www.SunriseMedical.es.

Comuníquese con su distribuidor local autorizado de SUNRISE MEDICAL si tiene alguna pregunta acerca del uso, mantenimiento o seguridad de su silla de ruedas.

En caso de que no hubiese un distribuidor autorizado en su región, o si tuviese alguna pregunta, puede comunicarse con Sunrise Medical por escrito o por teléfono:

Sunrise Medical S.L.
Polígono Bakiola, 41
48498 Arrankudiaga – Vizcaya
España
Tel.: +34 (0) 902 14 24 34
Fax: +34 (0) 94 648 15 75
www.SunriseMedical.es



IMPORTANTE:

NO UTILICE ESTA SILLA DE RUEDAS HASTA HABER LEÍDO Y COMPRENDIDO ESTE MANUAL.

Uso

Las sillas de ruedas están diseñadas exclusivamente para la utilización de un usuario que es incapaz de caminar o tiene movilidad reducida, al autopropulsarse o los traslada un tercero (asistente que empuja la silla) en interiores o exteriores.

El límite de peso máximo (que incluye el peso del usuario más el peso de cualquier otro accesorio instalado en la silla de ruedas) está indicado en la etiqueta con el número de serie, ubicada en el tubo de la cruceta o barra rigidizadora, debajo del asiento.

El producto debe ser utilizado bajo las condiciones especificadas y con los fines indicados; de lo contrario, la garantía no se emitirá.

La vida útil estimada de una silla de ruedas es de 5 años. NO SE DEBEN INSTALAR piezas que no sean las estándar para cada producto y oficialmente aprobadas por Sunrise Medical.

Área de aplicación.

Indicaciones

La variedad de opciones disponibles, así como el diseño modular de la silla, permiten que ésta pueda ser usada por personas que no pueden caminar o con movilidad reducida debido a:

- Parálisis
- Pérdida de extremidades (amputación)
- Defecto o deformidad en extremidades
- Contracturas o lesiones en articulaciones
- Enfermedades como deficiencias cardíacas y circulatorias, alteraciones del equilibrio o caquexia, cuadros de enfermedades neurológicas, distrofia muscular, hemiplejía, así como para personas mayores que todavía tienen fuerza en la parte superior del cuerpo.

Contraindicaciones

La silla de ruedas no se utilizará sin acompañante en caso de:





- Trastorno de la percepción
- Desequilibrio
- Pérdida de ambos brazos, si no cuenta con un cuidador
- Contracción o daño articular en ambos brazos
- Discapacidad para sentarse

Al solicitar una silla de ruedas, tenga en cuenta el tamaño corporal, peso, constitución física y fisiológica, edad, condiciones de vida y entorno del usuario.

Índice	
Introducción	79
Uso	79
Área de aplicación.	79
Índice	80
Instrucciones generales de seguridad y restricciones de conducción	81
Garantía	83
Transporte	84
Utilización	86
Opciones - Tubos de cola	86
Opciones - Frenos	86
Opciones - Plataformas de reposapiés	87
Opciones - Almohadilla para amputado	88
Opciones - Reposapiés elevables	88
Opciones - Ruedas delanteras	88
Opciones – Adaptador de la rueda delantera	89
Opciones: Respaldo	89
Opciones – Protector lateral	90
Opciones – Reposabrazos para hemipléjicos	90
Opciones - Ruedas anti-vuelco	90
Opciones – Cinturón de seguridad	91
Opciones - Asiento	92
Opciones - Abducción	93
Opciones – Empuñaduras	93
Opciones - Reposacabezas	93
Opciones - Mesa	93
Placa de Identificación	94
Verificaciones diarias	94
Cubiertas y montaje	95
Mantenimiento y cuidado	95
Posibles Problemas	96
Deshecho / reciclaje de los materiales	96

Definiciones

3.1 Definiciones de términos utilizados en este manual

Palabra	Definición
 ¡PELIGRO!	Advierte al usuario acerca de un riesgo potencial de padecer lesiones severas o hasta la muerte si no se siguen las instrucciones de uso.
 ¡ADVERTENCIA!	Advierte al usuario acerca de un riesgo eventual si no se sigue las instrucciones de uso
 ¡PRECAUCIÓN!!	Advierte al usuario acerca de la posibilidad de producirse un daño eventual en el equipo de no seguir esta precaución
NOTA:	Consejos generales sobre el buen uso.
	Referencia a documentación adicional

NOTA:

Es posible que las sillas de ruedas mostradas y descritas en este manual no sean exactamente iguales al modelo que usted posee. No obstante, todas las instrucciones aquí proporcionadas pueden aplicarse perfectamente más allá de las diferencias en los detalles.

El fabricante se reserva el derecho de modificar, sin previo aviso, los pesos, medidas y otros datos técnicos descritos en este manual. Todas las figuras, medidas y capacidades aquí mostradas son aproximadas y no constituyen especificaciones.

NOTA:

Anote la dirección y el teléfono del servicio de asistencia local en el recuadro que aparece a continuación.

En caso de avería, contacte con el agente local e intente proporcionarle toda la información pertinente de forma que le puedan ayudar lo antes posible.

Firma y sello del distribuidor

Instrucciones generales de seguridad y restricciones de conducción

El diseño y construcción de esta silla de ruedas han sido realizados de forma que se garantice la máxima seguridad. Se ha cumplido con las normativas internacionales de seguridad actualmente en vigor.

Sin embargo, los usuarios pueden ponerse a sí mismos en peligro si las sillas de ruedas son utilizadas de forma inapropiada. Por su propia seguridad, siga estrictamente las siguientes recomendaciones:

La adaptación o ajuste no profesional o inapropiado puede aumentar el riesgo de accidente. Como usuario de una silla de ruedas, usted forma parte del tránsito diario en las calles y aceras, igual que cualquier otra persona. Por lo que le recordamos que usted debe también cumplir con las normas de tránsito.

Tenga cuidado cuando utilice la silla de ruedas por primera vez. Conozca todos sus mandos y funciones.

Antes de cada uso, debe comprobar lo siguiente:

- Ejes fijos o ejes de desmontaje rápido para ruedas traseras.
- Velcro de asientos y respaldos
- Cubiertas, presión de las cubiertas y frenos de las ruedas.

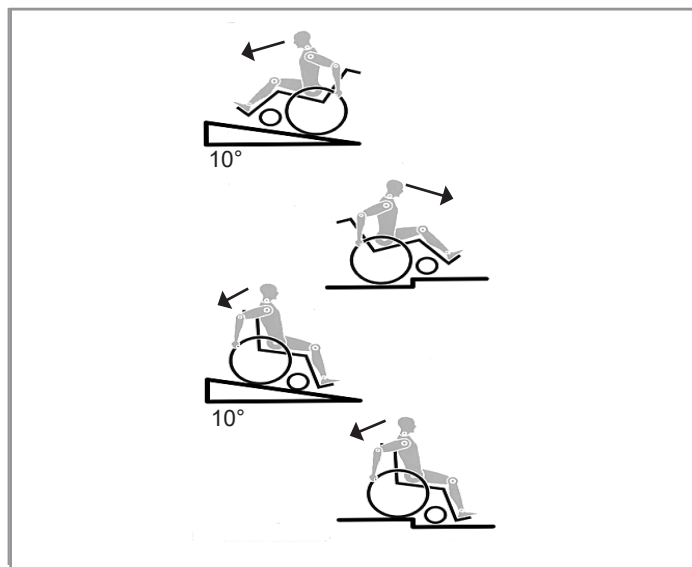
Antes de cambiar cualquiera de los ajustes de esta silla de ruedas, es importante que lea la sección correspondiente del manual del usuario.

Es posible que si existen baches, o el suelo no es uniforme la silla vuelque, especialmente cuando se desplaza cuesta arriba o cuesta abajo. Cuando sube un escalón o sube por una pendiente, el cuerpo debe ir inclinado hacia adelante.

▲ PELIGRO!

- NUNCA exceda la carga máxima de 145 kg (XL = 170 kg); esto incluye el peso del usuario más cualquier otro objeto que se lleve en la silla de ruedas. Si se excede la carga máxima, el rendimiento de la silla de ruedas se verá afectado, o bien podría provocarse una caída, vuelco o pérdida del control y ocasionar lesiones severas en el usuario u otra persona.
- Si conduce en la oscuridad, utilice ropa de colores claros o que contenga reflectores, para ser visto más fácilmente. Compruebe que los reflectores laterales y traseros de la silla de ruedas se vean claramente.
- Recomendamos también que haga instalar una luz activa.
- A fin de evitar caídas y situaciones peligrosas, se aconseja comenzar a utilizar su nueva silla de ruedas en una superficie llana con condiciones de buena visibilidad.
- Al subir o bajar de la silla de ruedas, no utilice las plataformas reposapiés.
- Antes deben girarse hacia arriba y abrirse hacia afuera al máximo ángulo posible. Siempre ubíquese en el lugar más cercano posible al que desea trasladarse.
- Solo utilice su silla de ruedas con precaución. Por ejemplo, evite sortear un obstáculo sin antes frenar (escalones, bordillos) o pasar por encima de un bache.

- Los sistemas de bloqueo de las ruedas no tienen como fin ser utilizados como freno de su silla de ruedas en movimiento. Solamente han sido instalados para asegurar que su silla de ruedas no empiece a rodar de forma imprevista. Cuando se para sobre una superficie no uniforme, debe utilizar siempre los frenos de las ruedas para evitar movimientos involuntarios. Accione siempre los dos frenos, ya que de lo contrario su silla podría volcar.
- Explore los efectos del cambio del centro de gravedad en el comportamiento de la silla de ruedas; por ejemplo, en pendientes, cuestas, todo tipo de gradientes o al sortear obstáculos. Realice estas pruebas si cuenta con la seguridad de un asistente.
- Si se utilizan los puntos extremos de fijación (por ejemplo, las ruedas traseras en la posición más adelantada) y la postura no es la adecuada, la silla de ruedas podría volcar, incluso hasta sobre una superficie llana.
- Incline la parte superior de su cuerpo hacia adelante al subir pendientes y escalones.
- Incline la parte superior de su cuerpo hacia atrás al bajar pendientes y escalones. Nunca intente subir o bajar una pendiente si usted se encuentra ubicado de manera diagonal.
- Evite el uso de escaleras mecánicas, ya que podrían producir graves lesiones en caso de que el usuario se caiga de la silla o scooter.
- No utilice la silla de ruedas en pendientes superiores a 10°. El tomar una pendiente de forma dinámica y segura depende de la configuración de la silla, de la habilidad de conducción del usuario y del estilo de montaje. Debido a que la habilidad de conducción y el estilo de montaje del usuario no son factores predeterminados, la pendiente segura máxima no puede determinarse tampoco. Por lo tanto, el usuario y un asistente deberán determinar estos factores a fin de evitar vuelcos inadvertidos. Recomendamos encarecidamente la instalación de ruedas anti-vuelco en sillas de usuarios con poca experiencia.
- Es posible que si existen baches, o el suelo no es uniforme la silla vuelque, especialmente cuando se desplaza cuesta arriba o cuesta abajo.
- No utilice la silla de ruedas en terrenos cubiertos de barro o de hielo.
- No utilice la silla de ruedas en sitios donde no están permitidos los peatones.
- Para evitar lesiones en las manos, no sujete por entre los radios o entre la rueda trasera y el sistema de bloqueo cuando conduce la silla.
- Cuando utilice aros de empuje de metal ligero, tenga en cuenta que la temperatura de los dedos puede subir al frenar de una velocidad alta o en pendientes largas.
- Solo intente subir o bajar escaleras con la ayuda de un asistente. Si hay equipamiento disponible para tales fines; por ejemplo, rampas o ascensores, por favor úselos. Si, en cambio, no cuenta con tal equipamiento, se precisarán dos asistentes para inclinar y empujar la silla, que nunca debe ser cargada. Recomendamos no trasladar de este modo a usuarios con peso superior a 100 Kg. En general, los tubos antivuelco deben acomodarse de antemano para evitar el contacto con los escalones; de lo contrario, podría ocasionarse una caída grave. Inmediatamente después, los tubos de las ruedas antivuelco deben volver a colocarse en su posición correcta.



⚠ ¡PELIGRO!

- Asegúrese de que el asistente solo sostiene la silla de ruedas por piezas montadas de manera segura. No de las piezas desmontables, como los reposapiés o los protectores laterales.
- Al hacer uso de la rampa de elevación, compruebe que las ruedas antivuelco instaladas estén en una posición alejada del área de peligro.
- Asegure la silla cuando conduzca por una superficie irregular o cuando realice transferencias (por ejemplo, hacia un coche) utilizando los frenos.
- Al hacer uso de la rampa de elevación, compruebe que las ruedas antivuelco instaladas estén en una posición alejada del área de peligro.
- Asegure la silla cuando conduzca por una superficie irregular o cuando realice transferencias (por ejemplo, hacia un coche) utilizando los frenos.
- Si se realiza un trayecto en un vehículo adaptado, los ocupantes del vehículo deben utilizar, en la medida de lo posible, los asientos del vehículo y el sistema de sujeción apropiado. Esta es la única manera de garantizar la máxima protección de los usuarios en caso de accidente.
- Dependiendo del diámetro y la instalación de las ruedas delanteras pivotantes, como también del centro de gravedad de la silla, las ruedas delanteras pueden oscilar a velocidades altas. Si esto ocurre, las ruedas delanteras podrían bloquearse y, como resultado, la silla podría volcar. Por lo tanto, asegúrese de que las ruedas delanteras estén ajustadas correctamente (consulte la sección "Ruedas delanteras").
- Recomendamos el uso de ruedas antivuelco para los usuarios sin experiencia.
- El único propósito de las ruedas antivuelco es evitar que la silla vuelque hacia atrás involuntariamente. No están para reemplazar a las ruedas de tránsito ni ser utilizadas para transportar una persona en una silla de ruedas que no tenga las ruedas traseras instaladas.
- Si desea alcanzar un objeto (que se encuentre enfrente, de lado o detrás de la silla de ruedas) no se incline demasiado ni se aleje del respaldo, ya que si modifica el centro de gravedad, corre el riesgo de desestabilizarse o resbalarse y caer. Si cuelga cargas adicionales (mochilas o elementos similares) sobre los postes del respaldo de la silla, la estabilidad trasera se verá afectada, en especial cuando se cuenta con respaldos reclinables. En este caso, la silla podría volcar hacia atrás y causar lesiones.
- Los usuarios con amputación a nivel de los muslos deben utilizar ruedas antivuelco.
- Antes de conducir su silla, compruebe que la presión de los neumáticos sea la correcta. Para las ruedas traseras, debe ser de 3,5 bar (350 kPa), como mínimo. La presión máxima está indicada en el neumático. Los frenos de rodilla solo funcionarán si hay suficiente presión en los neumáticos y si se ha establecido la configuración correcta (consulte la sección de "Frenos").
- Si las tapicerías del respaldo y el asiento presentan daños, debe reemplazarlas de inmediato.
- Evite el contacto con el fuego, en especial con cigarrillos encendidos. Las tapicerías del asiento y respaldo podrían prenderse fuego.
- Si se somete a la silla a una fuente directa de luz solar o temperaturas bajo cero durante un periodo largo de tiempo, las piezas de la silla de ruedas (armazón, reposapiés, frenos y protectores laterales) pueden coger temperatura (>41°C) o (<0°C).
- Siempre compruebe que, de estar instalados, los ejes de desmontaje rápido de las ruedas traseras estén correctamente instalados y fijos en posición (los cojinetes de bloqueo se ven perfectamente a través del casquillo del eje). Si el botón del eje de desmontaje rápido no está pulsado, la rueda trasera no podrá extraerse.

⚠ ¡PRECAUCIÓN!

- El rendimiento de los frenos de rodilla y las características generales de conducción dependen esencialmente de la presión de los neumáticos. La silla de ruedas resulta mucho más ligera y fácil de maniobrar cuando las ruedas traseras están hinchadas correctamente y ambas ruedas tienen la misma presión.
- Compruebe que las cubiertas de las ruedas tengan suficiente profundidad en los ribetes.
- Tenga en cuenta que, como usuario de la silla de ruedas, está sujeto a todas y cada una de las leyes de tránsito cuando conduce en lugares públicos.
- Al manipular o ajustar la silla de ruedas, proceda con precaución.
- Solo personal autorizado deberá llevar a cabo los ajustes que requieren herramientas.
- Limpie la silla de ruedas con regularidad para prevenir la oxidación y la corrosión por la sal.
- Verifique los remaches, tuercas y tornillos para asegurarse de que estén correctamente ajustados y que ninguna pieza de la silla de ruedas se aflojará.
- Todas las piezas móviles acarream el riesgo natural de atrapamiento de los dedos. Manéjense con especial cuidado.
- Es posible que los productos mostrados y descritos en este manual no sean exactamente iguales, hasta el último detalle, al modelo que usted posee. No obstante, todas las instrucciones aquí proporcionadas pueden aplicarse perfectamente más allá de las diferencias en los detalles.
- El fabricante se reserva el derecho de modificar, sin previo aviso, los pesos, medidas y otros datos técnicos descritos en este manual. Todas las figuras, medidas y capacidades aquí mostradas son aproximadas y no constituyen especificaciones.

⚠ ¡PELIGRO!

PELIGRO DE ASFIXIA: Este dispositivo de ayuda para la movilidad utiliza piezas pequeñas que, en determinadas circunstancias, pueden presentar un peligro de asfixia para los niños pequeños.

VIDA ÚTIL

La vida útil estimada de este producto es de 5 años, siempre y cuando:

Se utilice de acuerdo con el uso para el que el producto está destinado.

se cumplan con los procedimientos de comprobaciones y mantenimiento.

Garantía

Ver el documento “Condiciones Generales de Garantía” que acompaña a este manual de usuario.
También disponible en www.sunrisemedical.es, sección “Condiciones Generales de Venta”.

Transporte

⚠ ¡PELIGRO!

Existe un alto riesgo de producirse lesiones graves e incluso la muerte si no se toman en cuenta estos consejos.

Transporte de la silla de ruedas en un vehículo:

Una silla de ruedas sujeta en un vehículo nunca proporciona el mismo nivel de seguridad que el sistema de asiento propio del vehículo. Siempre es recomendable que, en la medida de lo posible, el usuario se transfiera al asiento del vehículo. Reconocemos, en cambio, que no siempre es práctico para el usuario ser transferido y, en esas circunstancias en las que el usuario debe ser transportado en la propia silla de ruedas, se deberían seguir los siguientes consejos:

1. Confirme que el vehículo esté correctamente equipado para transportar un pasajero en silla de ruedas y verifique que tenga el método de acceso/egreso adecuado para su modelo de silla. El vehículo debe tener la resistencia suficiente en el piso como para mantener el peso combinado del usuario, la silla y los accesorios.
2. Se debe contar con suficiente espacio disponible alrededor de la silla de ruedas para poder amarrar, ajustar y soltar las correas de sujeción y los cinturones de seguridad de la silla y del ocupante.
3. La silla de ruedas ocupada debe acomodarse en posición hacia el frente y debe asegurarse mediante los puntos de sujeción de la misma más los cinturones de seguridad del ocupante (sistema de sujeción de seguridad en vehículos de transporte, WTORS, que cumpla con las normas ISO 10542 o SAE J2249) según las instrucciones sobre WTORS del fabricante.
4. El uso de la silla de ruedas en otras posiciones dentro del vehículo no ha sido evaluado; por lo tanto, no debe transportarse la silla con la parte frontal mirando de lado bajo ninguna circunstancia (Fig. A).

5. La silla de ruedas deberá estar sujeta por un sistema de Retención, conforme a las normas ISO 10542 o SAE J2249, con correas anteriores no ajustables y correas posteriores ajustables, que utilicen generalmente mosquetones, ganchos en S y sistema de acoplamiento de lengüeta y hebilla. Estos anclajes generalmente constan de cuatro correas individuales acopladas a cada esquina de la silla.

6. Los cinturones de seguridad deberán estar instalados en el armazón principal de la silla de ruedas, tal como se indica en el diagrama de la página siguiente, y no en los accesorios, como los radios de las ruedas, frenos o reposapiés.

7. Las correas de sujeción de seguridad deberán estar sujetadas lo más cerca posible a un ángulo de 45° y estar firmemente ajustadas de acuerdo con las instrucciones del fabricante del sistema de sujeción.

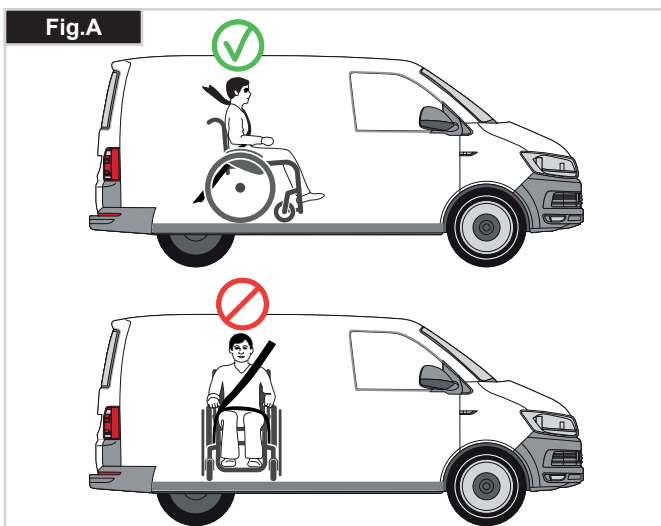
8. No se deben llevar a cabo alteraciones ni sustituciones en los puntos de sujeción de la silla de ruedas ni en el armazón, estructura o demás componentes sin antes consultar con el fabricante. De lo contrario, la silla de ruedas Sunrise Medical no podrá ser transportada en un vehículo.

9. Los cinturones de sujeción pélvico y troncal deben utilizarse para sujetar al ocupante, reducir la posibilidad de impacto en el pecho y la cabeza con los componentes del vehículo y evitar lesiones severas en el usuario u otro ocupante del vehículo. (Fig. B) El cinturón de seguridad troncal debe ir montado al pilar "B" del vehículo; de lo contrario, aumenta el riesgo de producirse lesiones abdominales severas al usuario.

10. Se debe contar con un sistema de sujeción de cabeza apropiado para el transporte (ver etiqueta del reposacabezas) instalado y colocado correctamente en todo momento durante el traslado.

11. No se deben utilizar los soportes posturales (cinturones de posicionamiento, cinturones pélvicos) para la sujeción del ocupante en un vehículo en movimiento, a menos que lleven la etiqueta de conformidad con los requisitos especificados en las normas ISO 7176-19:2001 o SAE J2249.

12. La seguridad del usuario durante el transporte depende del cuidado de la persona que ajuste los cinturones de seguridad, quien deberá haber recibido instrucciones o entrenamiento pertinentes para el uso de los mismos.



Transporte

13. En la medida de lo posible, aleje de la silla de ruedas de todo el equipamiento auxiliar que lleve, por ejemplo:

Bastones, Cojines sueltos y Mesas.

14. Los reposapiés elevables no deben usarse en posición elevada cuando la silla de ruedas y el usuario están siendo transportados y la silla de ruedas está amarrada con el sistema de sujeción de seguridad en vehículos de transporte.

15. Los respaldos reclinables deben colocarse en posición vertical.

16. Los frenos de mano deberán estar firmemente accionados.

17. El cinturón de sujeción debe ir montada en el pilar "B" del vehículo y no debe quedar alejada del cuerpo debido a los componentes de la silla de ruedas, tales como reposabrazos o ruedas.

INSTRUCCIONES PARA UTILIZAR EL SISTEMA DE SUJECIÓN:

1. El cinturón de seguridad pélvico debe usarse por delante de la pelvis, de manera que el ángulo del cinturón quede dentro de la zona de preferencia (entre 30 y 75 grados respecto del suelo). Siempre es mejor un ángulo más pronunciado (o mayor) dentro de la zona de preferencia, o sea, más cercano a los 75°, pero nunca excediéndolos. (Fig. C)

2. El cinturón de seguridad troncal debe colocarse por encima del hombro y debe atravesar el pecho, tal como se muestra en la ilustración Fig. D y E.

Los cinturones de sujeción deben quedar ajustados en su punto más ceñido, siempre que resulte cómodo para el usuario.

Los cinturones de sujeción no deben estar retorcidos cuando se los utiliza.

El cinturón de seguridad troncal debe colocarse por encima del hombro y debe cruzar por el hombro y el pecho, tal como se muestra en la ilustración Fig. D y Fig. E.

3. Los puntos de anclaje a la silla son: el lado delantero interior del armazón (justo arriba de la rueda delantera) y el lado posterior del armazón. Las correas están instaladas alrededor de los armazones laterales en la intersección de los tubos vertical y horizontal. (Vea Fig. G-H).

4. El símbolo del gancho de seguridad en el armazón (Fig. F) de la silla de ruedas indica la posición de la correa de sujeción de la silla. Las correas se tensionan después de que las correas delanteras se han fijado para asegurar la silla.

UBICACIÓN DE LOS CINTURONES DE SEGURIDAD EN LA SILLA DE RUEDAS:

1. Ubicación de la correa de sujeción delantera (Fig. G) y trasera (Fig. H) y etiqueta del punto de anclaje.

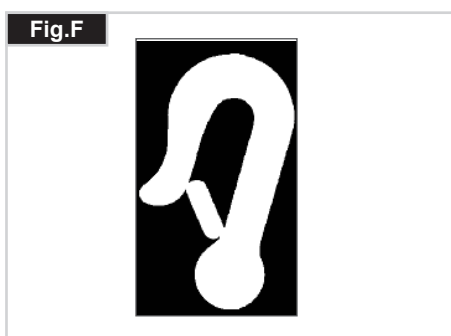
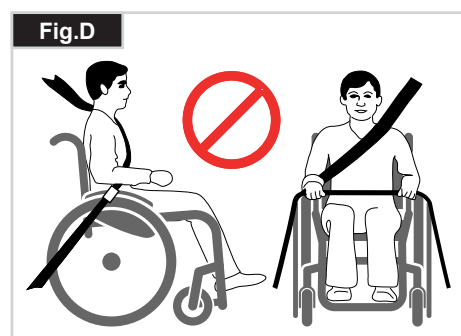
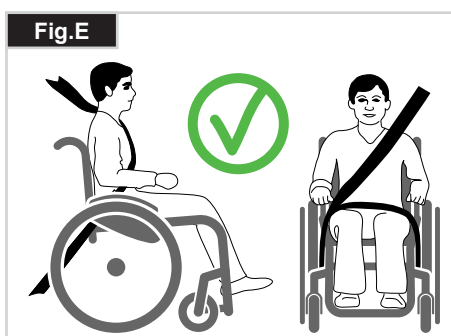
MENOS DE 22 KG DE PESO DEL USUARIO

Cuando el usuario transportado es un niño, de menos de 22 kg de masa, y el vehículo en cuestión lleva menos de ocho (8) personas sentadas, se recomienda realizar una transferencia a un sistema de anclaje infantil (CRS) compatible con la regulación 44 de UNCE.

Este tipo de piezas de anclaje proporciona un sistema de sujeción más eficaz para el ocupante que los sistemas convencionales de sujeción de 3 puntos y algunos sistemas CRS también incluyen soportes posturales para ayudar a mantener la posición del niño cuando está sentado.

En algunos casos, los padres, o los proveedores de cuidados, pueden considerar la opción de que el niño permanezca en su silla de ruedas mientras está en el vehículo de transporte debido a su nivel de comodidad y control postural de los ajustes de la silla de ruedas.

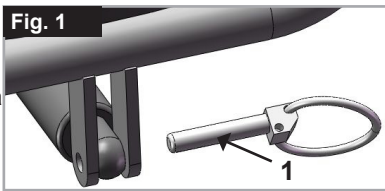
En esos casos le recomendamos que tanto un profesional de la salud u otra persona competente en la materia lleve a cabo una evaluación de riesgos.



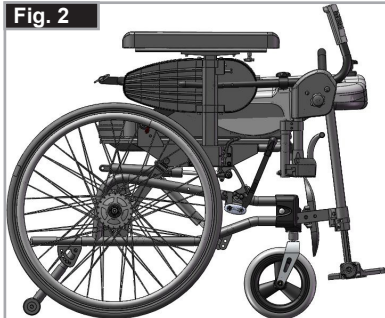
Utilización

PARA PLEGAR LA SILLA DE RUEDAS

Se puede plegar el respaldo hacia delante para agilizar el transporte de la silla de ruedas. Asegure el respaldo para que no caiga inadvertidamente, retire la clavija de desenganche (1) y, a continuación, pliegue el respaldo hacia delante.



Para reducir el tamaño de la silla plegada aún más, puede extraer el cojín del asiento y la carcasa del respaldo.



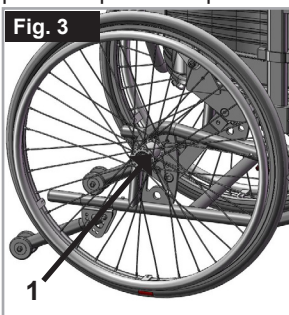
¡ADVERTENCIA!

Peligro de lesiones: Antes de aflojar el respaldo, debe sostenerlo de manera segura.

Para volver a colocar el respaldo en posición erguida, lleve el respaldo a esa posición y coloque la clavija de desenganche.

¡PELIGRO!

- Peligro de lesiones: asegúrese de que el respaldo ha quedado firme y asegurado de manera correcta.
- Asegúrese de que el armazón del respaldo calce correctamente.



EJES DE DESMONTAJE RÁPIDO DE LAS RUEDAS TRASERAS

Las ruedas traseras están equipadas con ejes de desmontaje rápido. Las ruedas pueden montarse y desmontarse sin necesidad de ninguna herramienta.

Para desmontar la rueda, simplemente presione el botón de desmontaje rápido del eje (1) y tire de la rueda hacia fuera (Fig. 3).

¡PRECAUCIÓN!

Para montar las ruedas traseras, mantenga presionado el botón del eje de desmontaje rápido mientras inserta el eje en la estructura. Suelte el botón para que la rueda quede fijada. El botón debe volver a su posición original al soltarlo.

CÓMO SUBIR A LA SILLA DE RUEDAS DE MANERA INDEPENDIENTE

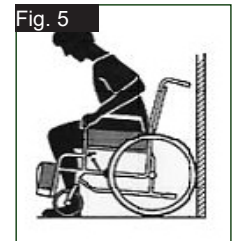
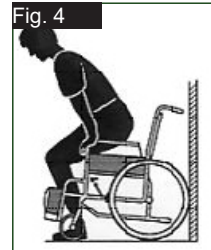
(Fig. 4)

- Apoye la silla de ruedas contra un muro o mueble sólido;
- Accione los frenos;
- Gire las plataformas del reposapiés hacia arriba;
- El usuario puede trasladarse a la silla;
- Baje las plataformas del reposapiés y coloque los pies sobre ellas por delante de los lazos de los tobillos.

CÓMO BAJAR DE LA SILLA DE RUEDAS DE MANERA INDEPENDIENTE

(Fig. 5)

- Accione los frenos;
- Gire las plataformas del reposapiés hacia arriba;
- Con una mano en cada reposabrazos, la persona debe inclinarse ligeramente hacia delante a fin de llevar el peso del cuerpo hacia el frente de la silla; ambos pies deben estar firmemente apoyados en el piso, pero con uno más atrás, que le ayudará a tomar el impulso necesario para incorporarse.



¡ADVERTENCIA!

- Al ponerse de pie, no se pare sobre los reposapiés, de lo contrario la silla de ruedas se dará vuelta. Es más fácil y más seguro sentarse en la silla de ruedas si las plataformas del reposapiés están totalmente giradas hacia arriba y abiertas, para que no entorpezcan la entrada a la silla de ruedas.
- Accione siempre los frenos al trasladarse, sentarse o levantarse de la silla de ruedas.

Opciones - Tubos de cola

TUBOS DE COLA

Los tubos de cola se utilizan por la persona que empuja la silla, para ayudar a que la silla suba un escalón. Simplemente haga presión con el pie sobre estos tubos, para ayudar a que la silla suba un obstáculo o escalón. (Fig. 6).



¡PRECAUCIÓN!

Sunrise Medical recomienda enfáticamente el uso de tubo de cola en modelos con ruedas de tránsito o cualquier modelo en el que el asistente haga un uso predominante de la silla, ya que podrían producirse daños en los tubos del respaldo si tira de ellos para inclinar la silla de ruedas, con el objeto de subir un obstáculo.

Opciones - Frenos

FRENOS

Su silla de ruedas dispone de dos frenos que se aplican directamente sobre las ruedas. Para accionarlos, presione las dos palancas de los frenos hacia delante hasta su tope. Para quitarlos, tire de las palancas hacia atrás hasta su posición inicial.

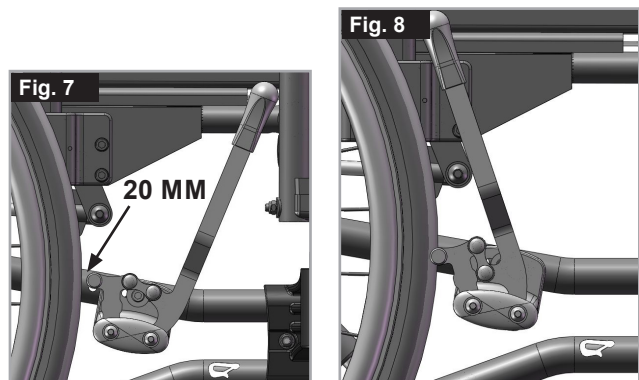
La eficacia del frenado puede verse disminuida por:

- Cubiertas desgastadas
- Neumáticos poco inflados
- Cubiertas mojadas
- Frenos mal ajustados.

Los frenos no están diseñados para detener de golpe o reducir la velocidad de la silla. Por lo tanto no deben usarse nunca para frenar una silla en movimiento. Utilice siempre los aros de empuje para reducir la velocidad. Asegúrese de que la distancia entre los frenos y la rueda es la indicada en las especificaciones dadas. Para reajustarlos, suelte el tornillo y coloque el freno a la posición correcta. Vuelva a ajustar el tornillo (Fig. 7-8).

⚠️PRECAUCIÓN!

Después de cada ajuste de las ruedas traseras, compruebe la distancia entre la rueda y el freno, y reajústelo si es necesario. La instalación del freno demasiado cerca de la rueda dificultará su operación. Además, ¡la palanca de freno podría bloquearse! Apoyarse en la extensión de la palanca de freno al realizar una transferencia causará el bloqueo de la palanca. El agua que se salpica de las ruedas puede provocar una deficiente función del freno.



FRENOS DE TAMBOR

Los frenos de tambor permiten una detención segura y conveniente para el asistente. Pueden instalarse también con la ayuda de una palanca de bloqueo (1) para evitar que la silla empiece a rodar. Este gatillo encaja en su sitio haciendo un ruido rápido y seco. La efectividad de los frenos de tambor no depende de la presión de aire que haya en las cubiertas (Fig. 9).



⚠️¡ADVERTENCIA!

- Los frenos de tambor sólo deben ser instalados por un representante autorizado.
- Accione siempre los dos frenos de tambor a la vez para garantizar el control de la dirección de conducción.
- Los frenos de tambor solo se pueden utilizar como frenos dinámicos para detener la silla de ruedas mientras conduce.
- Active siempre el freno para asegurar la silla de ruedas durante un período corto o largo de tiempo, o para realizar transferencias.

Opciones - Plataformas de reposapiés

PLATAFORMAS REPOSAPIÉS:

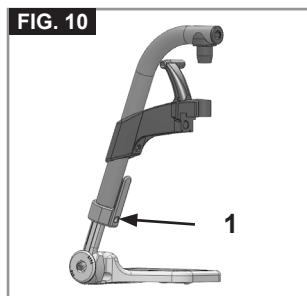
La plataforma reposapiés se puede abatir hacia arriba para facilitar las transferencias.

LARGO DE LA PIERNA (RODILLA A TOBILLO):

Para usuarios con piernas más largas, el soporte de pierna puede bajarse al nivel adecuado mediante los tornillos (1). Afloje los tornillos, tire de los tubos hasta colocarlos en la posición deseada, y luego vuelva a ajustar los tornillos (Consulte la página de "Presión"). Se deberá mantener un espacio de 2,5 cm entre las plataformas del reposapiés y el suelo, (Fig. 10).

REPOSAPIÉS Y DESENCLAVADOR

El reposapiés puede girarse y plegarse hacia el interior, o hacia fuera. Al instalar el reposapiés, las plataformas deben apuntar hacia dentro o fuera. Luego debe girar el reposapiés hacia el medio hasta que se traben en posición. Para extraerlo, tire de la palanca (1), gire la plataforma hacia dentro o hacia fuera y, a continuación, levante y retire el reposapiés. Asegúrese de que el reposapiés esté bien trabado en posición (Fig. 11).



⚠️¡PRECAUCIÓN!

- Los reposapiés no deben utilizarse para levantar la silla de ruedas.
- Al subir o bajar de la silla de ruedas, no utilice las plataformas reposapiés. Antes deben girarse hacia arriba y abrirse hacia afuera al máximo ángulo posible.

Opciones - Almohadilla para amputado

SOPORTE -ALMOHADILLA PARA AMPUTADO

(Fig. 12).

La almohadilla para amputado se puede colocar en diferentes posiciones para una mayor comodidad.



FIG. 12

Opciones - Reposapiés elevables

REPOSAPIÉS ELEVABLES (OPCIONAL)

(Fig. 13-15)

Para extraerlo, tire de la palanca (1), gire el reposapiés hacia fuera y, a continuación, levante y retire el reposapiés.

AJUSTE DE LA ALTURA:

Puede ajustar el largo de la parte inferior de la pierna indefinidamente aflojando el tornillo (2) Una vez alcanzada la altura adecuada, vuelva a ajustar el tornillo.

⚠️ ¡PRECAUCIÓN!

La distancia entre la plataforma reposapiés y el suelo debe ser de 40 mm como mínimo.

AJUSTE DE ÁNGULO:

Presione la palanca (3) hacia abajo con una mano mientras sostiene el reposapiés con la otra para quitar peso. Al lograr el ángulo deseado, suelte la palanca y el reposapiés quedará trabado en una de las posiciones predeterminadas.

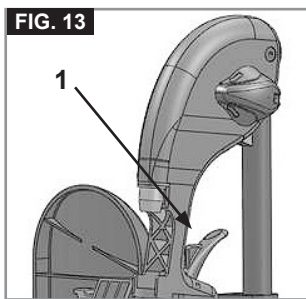


FIG. 13

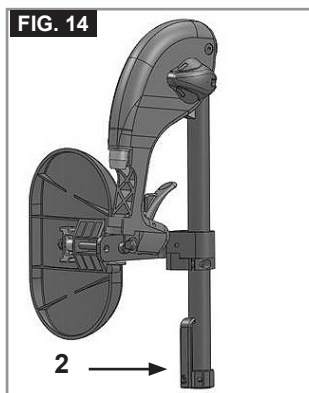


FIG. 14

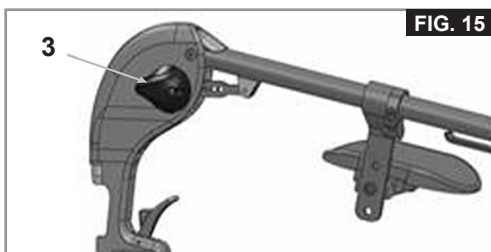


FIG. 15

AJUSTE DE LA ALMOHADILLA PARA PANTORRILLAS

(Fig. 16).

Ajuste la almohadilla para pantorrillas de la siguiente manera:
 Altura: Abra el tornillo (4) y desplace la pieza de sujeción a la posición deseada. Rotando la pieza de sujeción también podrá ajustar el ángulo.

Profundidad: Abra el tornillo (5) y desplace la almohadilla para pantorrillas a la posición deseada.

Anchura: Abra el tornillo (5) y coloque los espaciadores (6) detrás de la almohadilla, para alcanzar la posición deseada.

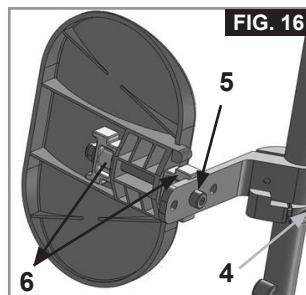


FIG. 16

⚠️ ¡ADVERTENCIA!

- Mientras esté elevando o bajando el reposapiés mantenga las manos lejos del mecanismo de ajuste entre el armazón y las partes móviles del reposapiés.
- Compruebe siempre que los anclajes estén asegurados.
- Los reposapiés no deberán utilizarse para levantar o cargar la silla de ruedas.
- ¡Los dedos pueden quedar atrapados! Al girar la plataforma del reposapiés hacia arriba o abajo, no coloque los dedos en el mecanismo de ajuste entre las partes móviles de la plataforma.

Opciones - Ruedas delanteras

RUEDAS DELANTERAS, PLETINAS, HORQUILLAS

Si, con el tiempo, su silla se va ligeramente hacia la derecha o hacia la izquierda, o bien las ruedas delanteras oscilan, las causas pueden ser:

- El juego de la rueda delantera no ha sido ajustado correctamente.
- El ángulo de la rueda delantera no ha sido ajustado correctamente.
- La presión de la rueda delantera y/o trasera no es correcta; las ruedas no giran de manera fluida.
- La silla de ruedas no avanzará en línea recta si las ruedas delanteras no están correctamente ajustadas.

⚠️ ¡ADVERTENCIA!

- El ajuste de las ruedas debería ser siempre realizado por un distribuidor autorizado.
- Debe verificar los frenos cada vez que altera la posición de la rueda trasera.

Opciones – Adaptador de la rueda delantera

AJUSTES DE ALTURA DEL ASIENTO:

La altura del asiento está determinada por la posición de las ruedas delantera y la trasera. La altura del asiento puede modificarse utilizando distintos tamaños de ruedas traseras, alterando la posición de las ruedas traseras y delanteras, y utilizando espaciadores.

⚠ ¡PRECAUCIÓN!

- Tras establecer la altura deseada del asiento, debe volver a ajustar todos los tornillos.
- Establezca el ángulo de la rueda delantera a 90°.
- Por lo tanto, la altura delantera y trasera del asiento tiene que ser siempre la misma.

Opciones: Respaldo

RESPALDO COMFORT

(Fig. 17 a 19).

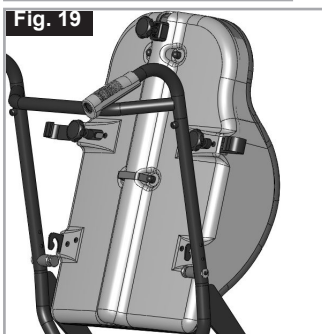
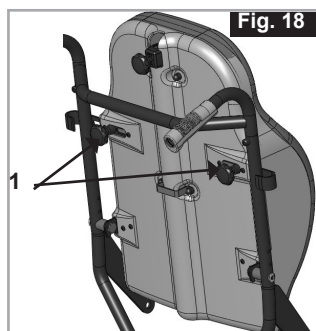
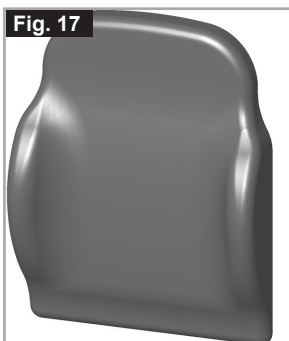
El respaldo Comfort ofrece soporte lateral y una cómoda postura sentada para largos periodos de tiempo.

Puede extraer la carcasa girando los pomos (1) y empujándolos hacia afuera. Mueva la estructura posterior hacia delante y arriba, y se soltará de los greposas guía.

El cojín está sujetado mediante cintas de Velcro y, por lo tanto, también puede extraerse.

⚠ ¡ADVERTENCIA!

Al instalar el respaldo, compruebe que la carcasa esté correctamente insertada en los ganchos guía y queda anclada en posición



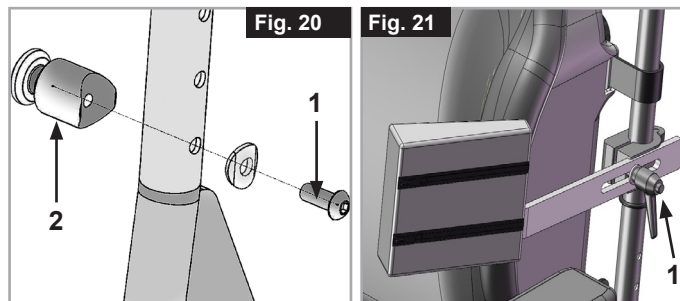
Opciones: Respaldo

RESPALDO AJUSTABLE EN ALTURA

Puede ajustar la altura del respaldo en cuatro posiciones diferentes. Afloje y retire los tornillos (1), y coloque los ganchos de guía (2) en la posición deseada. Vuelva a ajustar los tornillos, (Fig. 20).

SOPORTE DE TRONCO

Puede ajustar el ángulo, profundidad y altura del soporte de tronco. Puede abatirlo girando la palanca de liberación (1). (Fig. 21)



RECLINACIÓN HACIA ATRÁS (0° - 35°)

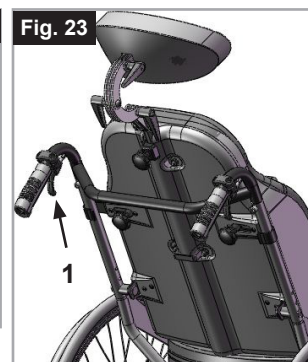
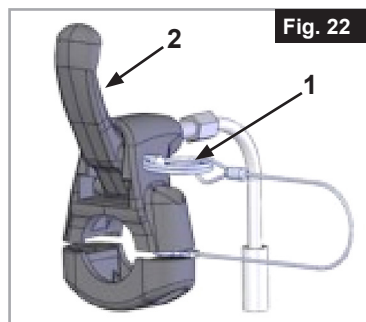
⚠ ¡PRECAUCIÓN!

Antes de reclinarla, retire el pin de bloqueo (1), (Fig. 22).

Al tirar de la palanca (2), puede dejar suelto el respaldo y colocarlo en la posición deseada. Al soltar la palanca (1) el respaldo queda fijado automáticamente en ese lugar (Fig. 23).

⚠ ¡ADVERTENCIA!

- Se recomienda el uso del respaldo reclinable junto con los tubos anti-vuelco (máxima distancia de la base al suelo 3 a 5 cm).
- No modifique nunca el ángulo del respaldo si la silla de ruedas está en una pendiente.
- Compruebe que el pin de bloqueo está de vuelta en su posición



Opciones – Protector lateral

REPOSABRAZOS REGULABLES EN ALTURA

Para ajustar la altura, tire de la palanca (1) y empuje el reposabrazos hasta la altura deseada. Después asegúrese de que la palanca (1) vuelve a trabarse en su posición original. Para retirar completamente el protector lateral, empuje la palanca (2). Al instalar el protector lateral, también debe empujar la palanca (2). Siempre compruebe que el protector lateral encaja en su posición correcta en el receptor. (Fig. 24).

¡ADVERTENCIA!

Al ajustar la altura del reposabrazos, existe el riesgo de atraparse los dedos.

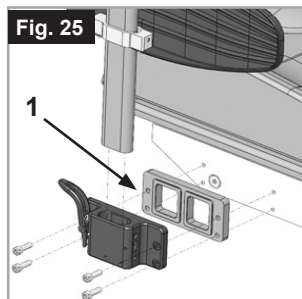
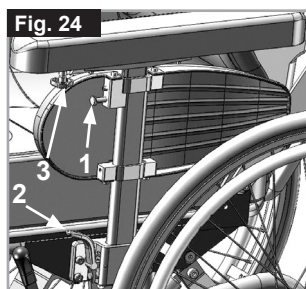
Puede alterar la posición del almohadillado del reposabrazos abriendo el pomo en estrella (3) y desplazando el almohadillado a la posición deseada (Fig. 24)

¡Compruebe que el pomo en estrella quede ajustado correctamente!

Para aumentar la anchura del asiento unos 2 cm puede extraer la almohadilla interior y/o añadir 2 espaciadores (1) (Fig. 25).

¡PRECAUCIÓN!

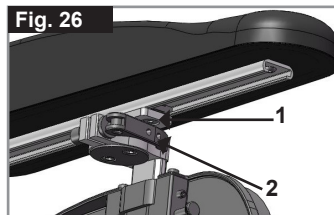
Tenga en cuenta que al añadir espaciadores al reposabrazos, también tendrá que desplazar la rueda trasera (Fig. 25)



Opciones – Reposabrazos para hemipléjicos

REPOSABRAZOS PARA HEMIPLÉJICOS

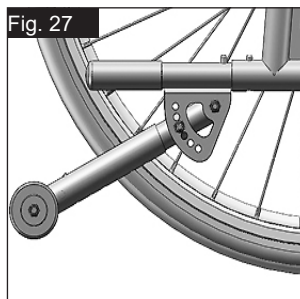
El reposabrazos para hemipléjicos puede modificarse en altura y en ángulo. Puede ajustar el largo empujando el reposabrazos tras haber aflojado los dos tornillos giratorios (1). Para ajustar el ángulo, abra la palanca de desenclavamiento (2) y rote el reposabrazos hasta la posición deseada, luego vuelva a ajustarlo (Fig. 26).



Opciones - Ruedas anti-vuelco

RUEDAS ANTI-VUELCO

Los tubos anti vuelco proporcionan seguridad adicional para los usuarios con poca experiencia, cuando todavía están aprendiendo a operar la silla de ruedas. Las ruedas anti-vuelco evitan que la silla de ruedas se vuelque hacia atrás. Debe insertar la rueda antivuelco en el tubo del armazón hasta que el primero de los dos botones de muelle ingrese en el primer orificio en el tubo del armazón, (Fig. 27).



¡ADVERTENCIA!

La instalación incorrecta de las ruedas antivuelco aumenta el riesgo de una inclinación excesiva hacia atrás. Cuando suba o baje obstáculos grandes (tales como bordillos) deberá subir las ruedas antivuelco para evitar que estas toquen el suelo. Luego vuelva a rotar las ruedas antivuelco a su posición normal.

NOTA: No inserte ambos botones de la rueda antivuelco en el tubo del armazón, ya que podría dañar la rueda antivuelco y causar la pérdida de efectividad. Al pulsar el segundo botón expuesto de desmontaje, las ruedas anti-vuelco pueden colocarse hacia arriba o, directamente, extraerse. Se deberá mantener un espacio de 3 a 5 cm entre los anti-vuelcos y el suelo. Cuando suba y baje obstáculos grandes (tales como bordillos) deberá deslizar las ruedas anti-vuelco hacia delante para evitar que éstos toquen el suelo. Luego vuelva a rotar las ruedas anti-vuelco a su posición normal (Fig. 27).

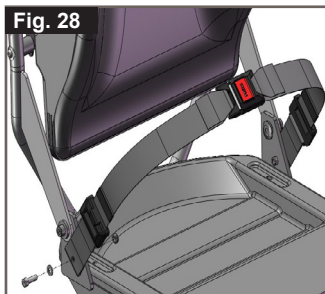
Opciones – Cinturón de seguridad

CINTURÓN DE SEGURIDAD

⚠ ¡PELIGRO!

Antes de utilizar la silla de ruedas, asegúrese de que el cinturón de seguridad está correctamente instalado y ajustado.

El cinturón de seguridad está instalado en la silla de ruedas tal como se muestra en las ilustraciones. El cinturón de seguridad consta de dos mitades. Ambas partes se colocan pasando el pasador de retención del asiento a través del ojal del cinturón. El cinturón pasa por debajo de la parte trasera del panel lateral. (Fig. 28).



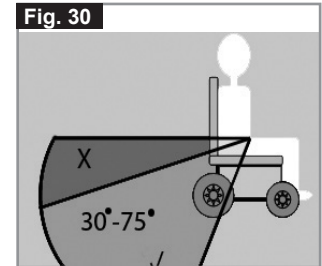
Ajuste la posición del cinturón de manera que las hebillas queden en la parte central del asiento.

Ajuste el cinturón de seguridad según las necesidades del usuario, tal como se indica a continuación:

Para aumentar la longitud del cinturón	Para reducir la longitud del cinturón:	
Deslice la correa a través de la pieza de regulación de la hebilla macho a fin de aumentar la longitud del cinturón.	Deslice de nuevo la correa a través de la pieza de regulación de la hebilla macho.	Asegúrese de que la correa no presenta ningún doblez en la hebilla macho.

Al ajustar, compruebe el espacio que queda entre el cinturón y el usuario; un cinturón correctamente ajustado debe permitir que entre justo una mano plana entre el cinturón y el usuario. (Fig. 29)

Por lo general, el cinturón debe estar instalado de manera que las correas queden ubicadas en un ángulo aproximado de 45° y, si están correctamente ajustadas, el usuario no debería resbalar hacia abajo por el asiento. (Fig. 30).



Para abrochar la hebilla: Empuje firmemente la hebilla macho dentro de la hebilla hembra.	Para liberar la hebilla: Presione las alas expuestas de la hebilla macho y empújelas hacia el centro o presione el botón de presión de la hebilla hembra mientras tira con suavidad para separarlas ambas partes.

CONSEJO AL CLIENTE

⚠ ¡PELIGRO!

- No se fíe solamente del cinturón de seguridad cuando la silla de ruedas y el ocupante son transportados en un vehículo; utilice, en cambio, las correas de sujeción adicionales que cruzan la cadera y el torso incluidas en el vehículo.
- Antes de utilizar el cinturón de seguridad, recomendamos verificarlo para asegurar que está correctamente ajustado, no presenta obstrucciones ni signos de desgaste y la hebilla queda correctamente trabada.
- Si no comprueba que el cinturón de seguridad está instalado de manera segura y ajustado correctamente antes de utilizarlo, el usuario podría sufrir lesiones severas. Por ejemplo, si la cincha está demasiado floja, el usuario podría resbalar por el asiento y sufrir riesgo de asfixia.

MANTENIMIENTO:

Revise el cinturón de seguridad y los componentes de sujeción con regularidad para comprobar que no haya signos de desgaste ni daños. Cámbielo si es necesario. Limpie el cinturón con agua tibia y jabón y deje secar.

⚠ ¡PELIGRO!

- El cinturón de seguridad pélvico debe ajustarse según las necesidades del usuario, tal como se detalla anteriormente. Sunrise Medical también recomienda verificar la extensión y ajuste del cinturón de manera regular a fin de reducir el riesgo de haberlo modificado inadvertidamente a un largo excesivo.
- Si tiene dudas acerca del uso y funcionamiento del cinturón de seguridad, consulte con el distribuidor local de sillas de ruedas,

Opciones - Asiento

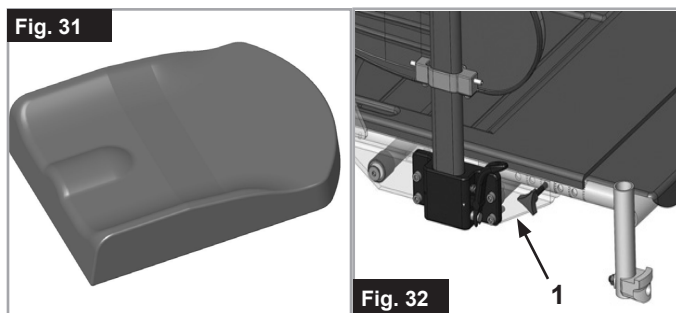
ASIENTO COMFORT (FIG. 31).

El asiento Comfort consta de un cojín de forma anatómica y ofrece una cómoda posición sentada durante un largo periodo de tiempo.

El cojín está sujetado mediante cintas de Velcro y, por lo tanto, también puede extraerse. Puede lavar la funda (consulte las instrucciones de lavado en el cojín).

PROFUNDIDAD DEL ASIENTO (FIG. 32).

Después de aflojar el pomo estrellado (1) de ambos lados, puede ajustar la profundidad del asiento en incrementos de 2 cm. Estos incrementos se indican con marcas en el tubo del asiento y una etiqueta de la placa del asiento. Ajuste hasta lograr la posición deseada y ajuste ambos pomos estrellados.



⚠ ¡PRECAUCIÓN!

- No debe exceder la profundidad máxima del asiento (ver marca y tope)
- Asegúrese de que los pomos están siempre alineados en el mismo orificio y bien ajustados.

AJUSTE DEL ANCHO DEL ASIENTO

Puede aumentar la anchura del asiento de la silla de ruedas extrayendo las almohadillas interiores o añadiendo espaciadores (ver opción de protector lateral)

ÁNGULO DE ASIENTO AJUSTABLE (0°-25° / -3 -22°)

Antes bascularla, retire el pin de bloqueo (1), (Fig. 33).

Tire de la palanca (2) y el asiento quedará suelto para colocarlo en la posición deseada (Fig. 34). Una vez que suelte la palanca, el asiento quedará establecido en la nueva posición de manera automática.

⚠ ¡PELIGRO!

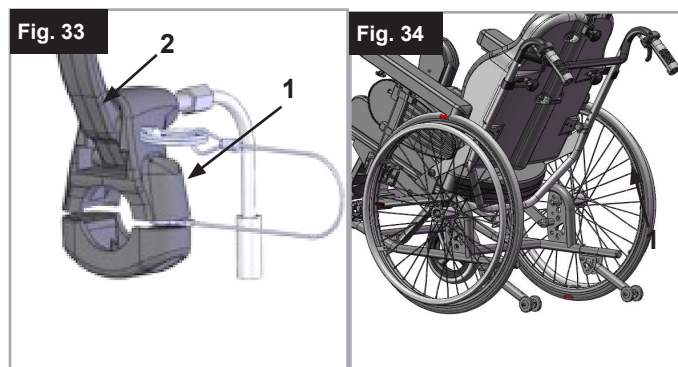
- No modifique nunca el ángulo del asiento si la silla de ruedas está en una pendiente.
- Solo puede usar el asiento de ángulo ajustable con ruedas anti-vuelco.

⚠ ¡ADVERTENCIA!

Al ajustar el asiento, existe el riesgo de atraparse los dedos.

⚠ ¡PRECAUCIÓN!

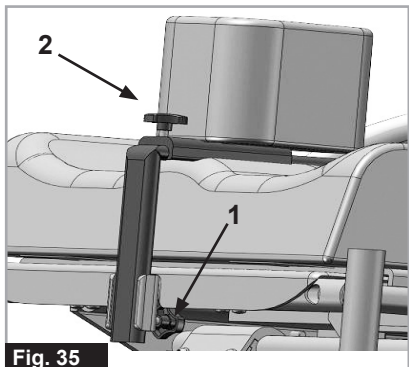
Para garantizar el funcionamiento correcto de los cables, estos nunca deben estar tensos.



Opciones - Abducción

ABDUCCIÓN

Al aflojar el tornillo (1), puede ajustar la altura de la cuña abductora y al aflojar los tornillos (2) puede ajustar la profundidad o directamente extraerla (Fig. 35).



Opciones - Empuñaduras

EMPUÑADURAS AJUSTABLES EN ALTURA

Al aflojar los pomos en estrella (1) puede ajustar las empuñaduras a la altura que desee. Tras realizar cualquier ajuste en la altura de las empuñaduras, compruebe que los pomos en estrella (1) estén ajustados (Fig. 36).



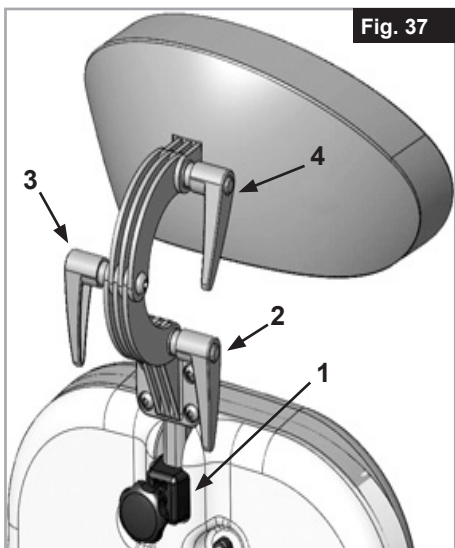
⚠ PELIGRO!

Si los pomos en estrella no están seguros, puede haber accidentes al sortear obstáculos.

Opciones - Reposacabezas

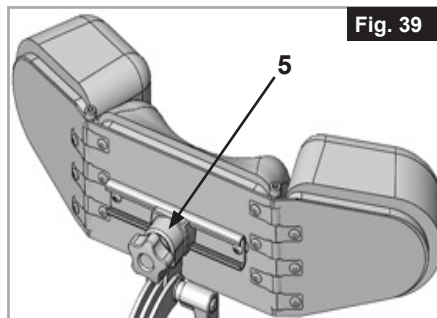
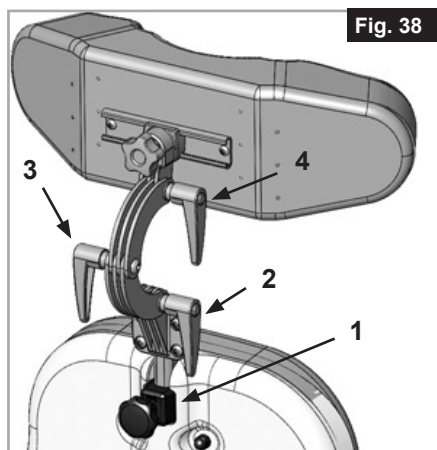
REPOSACABEZAS COMFORT

El reposacabezas puede elevarse (1) y moverse hacia adelante y atrás., (2-3-4). Para ello, afloje las correspondientes palancas, ajuste el reposacabezas hasta alcanzar la posición deseada, y vuelva a ajustarlas (Fig. 37).



REPOSACABEZAS DE 3 ALAS

El reposacabezas puede elevarse (1) y moverse hacia adelante y atrás., (2-3-4). También puede ajustar la línea central del reposacabezas (5). Para ello, afloje las correspondientes palancas o pomos, ajuste el reposacabezas hasta alcanzar la posición deseada, y vuelva a ajustarlos (Fig. 38-39).

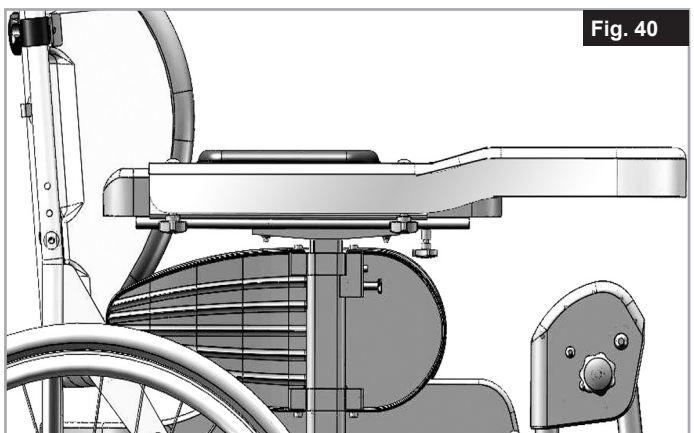


Opciones - Mesa

MESA

La bandeja proporciona una superficie plana para cualquier tipo de actividad. Antes de utilizar la bandeja, su representante autorizado debe ajustarla por primera vez según la anchura del asiento.

NOTA: El usuario debe estar sentado durante las pruebas, (Fig. 40).



Placa de Identificación

PLACAS DE IDENTIFICACIÓN

La placa de identificación del modelo está situada en la parte superior de la cruceta, y también en una etiqueta en el manual del usuario. La placa de identificación indica la designación exacta del modelo, además de otros datos técnicos. Al solicitar repuestos, o en caso de reclamos, indique los siguientes datos:



	SUNRISE MEDICAL		Sunrise Medical GmbH Kahlbachring 2-4 D-69254 Malsch / Germany		XXXX-XX-XX
TYPE:		Wheelchair, Rollstuhl, Fauteil Roulant, Silla de Ruedas		SN	XXXXXXXXXXXXXXXXXX
Relax2		ISO 7176-19:2008			
	XXX kg		max X°		XXX mm

Relax2	Nombre del producto, número de referencia (SKU)
	La pendiente máxima segura con ruedas anti-vuelco depende de la configuración de la silla de ruedas, la postura y las capacidades físicas del usuario.
	Ancho del asiento
	Profundidad del asiento
	Carga máxima
	Marca CE
	Manual de usuario
	XXXX-XX-XX Fecha de fabricación
	Número de serie
	Este símbolo significa Dispositivos Médicos
	Dirección del fabricante
ISO 7176-19:2008	Crashtested de conformidad con: ISO 7176-19:2008.

Debido a nuestra política de continua mejora del diseño de las sillas de ruedas que desarrollamos, las especificaciones de cada producto pueden variar levemente de los ejemplos aquí ilustrados. Todos los datos de peso, dimensiones y rendimiento son aproximados y constituyen una guía solamente. Sunrise Medical cumple con la Regulación de dispositivos médicos (UE) 2017/745.

CE Todas las sillas de ruedas deben utilizarse según lo estipulado en los manuales de instrucciones del fabricante.

Sunrise Medical GmbH
Kahlbachring 2-4
69254 Malsch/Heidelberg
Deutschland
Tel.: +49 (0) 7253/980-0
Fax: +49 (0) 7253/980-222
kundenservice@sunrisemedical.de
www.SunriseMedical.de

Verificaciones diarias

PRECAUCIÓN!

El usuario será el primero en notar cualquier posible defectos. Por lo tanto, recomendamos llevar a cabo las verificaciones siguientes cada vez que vaya a usar el producto:

- Verifique la presión correcta de los neumáticos
- Compruebe que los frenos funcionan correctamente
- Compruebe que todas las partes extraíbles estén fijas en posición; por ej., los reposabrazos, los reposapiés, los ejes de desmontaje rápido, etc.
- Realice una inspección en busca de daños; por ej., en el armazón, respaldo, tapicería del asiento y respaldo, ruedas, plataformas reposapiés, etc.
- Si hubiera algún daño o problema en el funcionamiento, comuníquese con su representante autorizado.

Cubiertas y montaje

CUBIERTAS Y MONTAJE

Las ruedas macizas son las estándar cuando salen de fábrica.

Si usa cubiertas neumáticas, asegúrese siempre de que las cubiertas tengan la presión adecuada, ya que esto puede influir en la utilización correcta de la silla. Si la presión de las cubiertas es muy baja, aumentará la resistencia al rodar, por lo que se necesitará de mayor esfuerzo para impulsar la silla hacia delante. También perjudica la maniobrabilidad. Si la presión es muy alta, la cubierta podría estallar. La presión correcta aparece impresa en la misma superficie de la cubierta, (Máx. 3.5 bar).

Las cubiertas se montan igual que las cubiertas de una bicicleta. Antes de instalar la cámara, debe asegurarse siempre de que la base de la llanta y el interior de la cubierta están libres de objetos extraños. Compruebe la presión después de instalar o reparar la cubierta. Es vital para su seguridad y para la correcta utilización de la silla mantener la presión adecuada y las cubiertas en buen estado.

Mantenimiento y cuidado

MANTENIMIENTO

- Compruebe la presión de los neumáticos cada 4 semanas. Compruebe si están desgastados o dañados.
- Verifique los frenos aproximadamente cada 4 semanas para asegurarse de que funcionan correctamente y puedan usarse con facilidad.
- Cambie los neumáticos como lo haría con una bicicleta.
- Todas las juntas que son importantes para la seguridad se autobloquean con tuercas de seguridad.
- Compruebe cada 3 meses que todos los tornillos están seguros (ver sección Presión).
- Las tuercas de seguridad deberían ser utilizadas solamente una vez, y ser reemplazadas después de muchos usos.
- Use únicamente detergentes suaves para limpiar su silla. Utilice sólo jabón y agua para limpiar la tapicería del asiento y el cinturón de falda.
- Si su silla se moja, séquela inmediatamente después de utilizarla para prevenir la oxidación y la corrosión por la sal.
- Aplique una pequeña cantidad de aceite sobre los ejes de desmontaje rápido cada 8 semanas. Dependiendo de la frecuencia y el tipo de uso, se recomienda que lleve la silla de ruedas al distribuidor autorizado cada 12 meses para llevar a cabo una inspección por parte de personal entrenado para tales fines.

PRECAUCIÓN!

La arena y la sal del mar pueden dañar los rodamientos de las ruedas delanteras y traseras. Limpie bien la silla después de la exposición a estos factores.

Las siguientes piezas pueden extraerse y enviarse al fabricante o distribuidor para ser reparadas:

Ruedas traseras, reposabrazos, tubo reposapiés, ruedas antivuelco. Estas piezas están disponibles como artículos de repuesto. Puede encontrar más información en el manual de repuestos.

HIGIENE AL RECICLAR EL USO:

Cuando la silla vaya a ser usada nuevamente, debe prepararse con minuciosamente, debe limpiarse con algún tipo de desinfectante sobre todas las superficies que entraron en contacto con el antiguo usuario.

A este fin, utilice un desinfectante líquido de secado rápido a base de alcohol para productos y dispositivos médicos si lo que necesita es un efecto inmediato. Lea atentamente las instrucciones del fabricante del desinfectante que vaya a usar.

Por lo general, un desinfectante seguro no garantiza su acción en las costuras o juntas. Por lo tanto, se recomienda desechar cambiar la tapicería del asiento y respaldo para evitar la contaminación microbacteriana con agentes activos, según la ley N° 6 de protección contra infecciones.

ALMACENAMIENTO

Almacene o mantenga la silla en un lugar seco.

Posibles Problemas

LA SILLA DE RUEDAS SE DESPLAZA HACIA UN LADO

- Compruebe la presión de los neumáticos (solo en cubiertas neumáticas).
- Compruebe que las ruedas giran libremente (rodamientos, ejes, etc.)
- Compruebe que el ángulo de las ruedas delanteras es el mismo en ambas y que las dos se apoyan en el suelo.
- Compruebe que los rodamientos de la horquilla de las ruedas delanteras rotan sin obstáculos.

LAS RUEDAS DELANTERAS OSCILAN

- Compruebe el ángulo de las ruedas delanteras.
- Compruebe que todos los tornillos están seguros; ajústelos de ser necesario (ver sección Presión).
- Compruebe que ambas ruedas delanteras se apoyan en el suelo

LA SILLA DE RUEDAS SE MUEVE Y CRUJE

- Compruebe que todos los tornillos están seguros; ajústelos de ser necesario (ver sección Presión).
- Lubrique los puntos donde las partes móviles rozan con otras

LA SILLA DE RUEDAS OSCILA

- Compruebe el ángulo de las ruedas delanteras
- Compruebe la presión de los neumáticos
- Compruebe si las ruedas traseras están ajustadas de manera diferente.

AMORTIGUADORES Y CABLES

⚠️ PRECAUCIÓN!

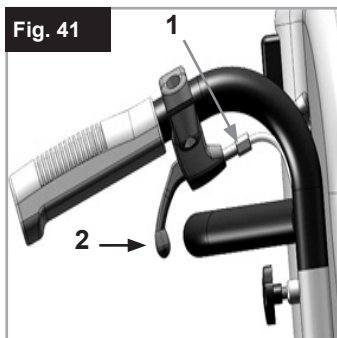
Para evitar comprometer su funcionamiento, compruebe que los cables no están tensos.

PROBLEMA:

La palanca tiene juego

SOLUCIÓN:

Afloje el tornillo de ajuste (1) hasta que la palanca (2) no tenga más juego (Fig. 41).



CONFIGURACIÓN DE PROFUNDIDAD DEL ASIENTO

PROBLEMA:

El asiento cambia de posición sin utilizar la palanca de desenclavamiento del amortiguador

CAUSA:

Los cables en el amortiguador están demasiado tirantes.

SOLUCIÓN:

Coloque los cables en el tornillo de ajuste (1)

⚠️ PRECAUCIÓN!

Proteja el cable del chicote de cualquier deterioro (torsión, presión).

Si llegara a doblarse o retorcerse, tendrá que reemplazarlo.

Deshecho / reciclaje de los materiales

NOTA: Si esta silla le fue entregada libre de coste, es posible que no le pertenezca. Si ya no la necesita, siga las instrucciones de la institución que le proporcionara la silla de ruedas para devolvérsela.

La información que sigue describe los materiales utilizados en la silla de ruedas con relación al deshecho o reciclaje de la silla y su embalaje. Es posible que en el área que usted se encuentra rijan leyes específicas sobre materiales de desecho y reciclaje, las cuales deben tomarse en cuenta al momento de organizar la disposición de la silla. (Estas reglas pueden incluir la limpieza o descontaminación de la silla previamente a su disposición).

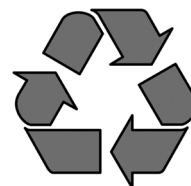
Acero: Anclajes, eje de desmontaje rápido, laterales de armazón, reposabrazos, armazón, tubos de reposapiés, empuñaduras.

Plástico: Cubiertas de empuñaduras, ruedas giratorias, plataformas de reposapiés, almohadillas para reposabrazos y rueda/neumático de 12", ruedas, protectores laterales.

Embalaje: Bolsa de polietileno de baja densidad, caja de cartón

Tapicería: Trama de poliéster con cobertura de PVC y espuma expandida de combustión modificada.

El descarte o reciclaje debe ser llevado a cabo por un agente o sitio autorizado de desechos. En algunos países, el distribuidor autorizado puede llegar a contemplar la posibilidad de encargarse del desecho de la silla de ruedas.



Prefácio

Caro Cliente,


Ficamos satisfeitos por ter decidido comprar um produto de elevada qualidade da SUNRISE MEDICAL.

Este Manual de Instruções contém várias sugestões e ideias para que a sua cadeira de rodas seja um parceiro de confiança e fiável na sua vida.

A Sunrise Medical considera bastante importante manter uma relação forte com os clientes. Assim, gostaríamos de o manter atualizado quanto aos nossos produtos atuais e mais recentes. Manter a proximidade com os nossos clientes significa: serviço mais rápido, com o mínimo de burocracia, colaborando com os clientes. Quando precisar de peças de substituição ou acessórios, ou se tiver qualquer dúvida em relação à cadeira de rodas – estamos aqui para si.

Queremos que fique satisfeito com os nossos produtos e serviços. Na Sunrise Medical trabalhamos constantemente para desenvolver ainda mais os nossos produtos. Por esta razão, podem ocorrer alterações nas nossas linhas de produtos no que diz respeito à forma, tecnologia e acessórios. Por conseguinte, não podem ser feitas reclamações com base nos dados e imagens contidas neste manual técnico.

O sistema de gestão da SUNRISE MEDICAL está certificado segundo DIN EN ISO 9001, ISO 13485 e ISO 14001.

 Como fabricante, a SUNRISE MEDICAL, declara que as cadeiras de rodas de liga leve estão em conformidade com o Regulamento de Dispositivos Médicos (2017/745).

NOTA:

Conselhos gerais para o utilizador.

O não cumprimento destas instruções pode causar o risco de lesões físicas, de danos neste produto ou criar um risco para o ambiente!

Um aviso para o utilizador e/ou paciente que qualquer acidente grave ocorrido relacionado com o equipamento deve ser comunicado ao fabricante e às autoridades competentes do Estado Membro no qual o utilizador e/ou paciente reside.

Adaptações especiais B4Me

A Sunrise Medical recomenda fortemente que, a fim de garantir que seu produto B4Me opere e funcione conforme pretendido pelo fabricante; todas as informações do usuário fornecidas com seu produto B4Me são lidas e compreendidas antes de o produto ser usado pela primeira vez.

A Sunrise Medical também recomenda que as informações do utilizador não sejam descartadas após sua leitura, mas sejam mantidas em segurança para referência futura.

Combinações do dispositivo médico

Poderá ser possível combinar este dispositivo médico com um ou mais do que um outro dispositivo médico ou outro produto. As informações sobre as combinações possíveis podem ser consultadas na www.SunriseMedical.pt. Todas as combinações apresentadas foram validadas de acordo com os Requisitos Gerais de Segurança e Desempenho, Anexo I no. 14.1 do Regulamento de Dispositivos Médicos 2017/745.

As orientações relativas às combinações, como montagem, podem ser consultadas em www.SunriseMedical.pt.

Contacte o nosso fornecedor local e autorizado SUNRISE MEDICAL se tiver questões sobre a utilização, manutenção ou segurança da sua cadeira de rodas.

No caso de não existir fornecedor autorizado na sua área ou se tiver quaisquer questões, pode contactar a Sunrise Medical por escrito ou por telefone.

Sunrise Medical
Polígono Bakiola, 41
48498 Arrankudiaga,
Vizcaya
Espanha
Telefone: 00 351 224 882 712
Fax: 00 351 224 880 063
www.sunrisemedical.pt



IMPORTANTE:

NÃO USE A SUA CADEIRA DE RODAS ANTES DE TER LIDO E COMPREENDIDO O MANUAL.

Utilização

As cadeiras de rodas destinam-se exclusivamente a utilizadores sem capacidades motoras ou com capacidades motoras diminuídas, para seu usufruto pessoal, quando sozinhos ou auxiliados por terceiros (empurrados por um assistente) em casa e no exterior.

O limite máximo de peso (inclui o utilizador e o peso de acessórios instalados na cadeira de rodas) está assinalado na etiqueta com o número de série, fixada na barra transversal ou barra estabilizadora sob o assento.

A garantia aplica-se apenas se o produto for usado nas condições especificadas e para os objectivos a que se destina. A vida útil estimada da cadeira de rodas é 5 anos. Não foram instaladas PEÇAS NÃO-PADRÃO, excepto aquelas oficialmente autorizadas pela Sunrise Medical.

Área de aplicação.

Indicações

A variedade de acessórios assim como o desenho modular significam que pode ser usada por pessoas que não podem andar ou com mobilidade limitada por causa de:

- Paralisia
- Perda de membros (amputação da perna)
- Deformação dos membros
- Contratura das articulações/lesões nas articulações
- Doenças como insuficiências cardíacas e deficiências circulatórias, problemas de equilíbrio, caquexia, padrões de doenças neurológicas, distrofia muscular, hemiplegia, assim como pessoas idosas que ainda têm força na parte superior do corpo.

Contra-indicações

A cadeira de rodas não deverá ser utilizada sem a presença de um assistente em caso de:

- Problemas de percepção
- Desequilíbrio
- Perda de ambos os braços, se não acompanhado por um cuidador
- Contraturas nas articulações ou lesões nas articulações em ambos os braços
- Problemas em manter a postura sentada





Quando considerar a aquisição, tenha em conta o tamanho e peso do corpo, a constituição física e psicológica, a idade da pessoa, condições de vida e ambiente.

Índice

Índice	98
Normas sobre segurança e limites de condução gerais	99
Garantia	101
Transporte	102
Manuseamento	104
Opções – Tubos de Apoio	104
Opções – Dispositivos de Bloqueio das Rodas	104
Opções – Apoios para pés	105
Opções - Suporte para amputados	106
Opções - Apoio de Pés Elevatório	106
Opções – Roda Giratória	106
Opções – Adaptador da roda giratória	107
Opções – Encosto	107
Opções – Protecção lateral	108
Opções – Apoio de braços hemiplégico	108
Opções – Tubos Anti-queda	108
Opções – Cinto de segurança	109
Opções - Assento	110
Opções - Abdução	111
Opções – Manipulos de Pressão	111
Opções - Encostos de cabeça	111
Opções - Mesa de terapia	111
Placa de nome	112
Inspeções diárias	112
Pneus e Montagem	113
Manutenção e Cuidado	113
Resolução de Problemas	114
Eliminação / Reciclagem de materiais	114

Definições

3.1 Definições das palavras usadas neste manual

Palavra	Definição
 PERIGO!	Alertar o utilizador para um potencial risco de ferimentos graves ou fatais se o aviso não for respeitado
 AVISO!	Alertar o utilizador para um potencial risco da sua integridade física se a sugestão não for respeitada
 CUIDADO!	Alertar o utilizador para os danos potenciais para o equipamento se o aviso não for respeitado
NOTA:	Sugestão geral ou melhor prática
	Referência a documentação adicional

NOTA:

A cadeira de rodas representada e descrita neste manual pode não ser exatamente igual à sua. No entanto, todas as instruções são perfeitamente aplicáveis, independentemente dessas pequenas diferenças.
 O fabricante reserva-se no direito de modificar, sem aviso prévio, os pesos, dimensões e outros dados indicados neste manual. Todos os valores, medidas e capacidades indicados neste manual são aproximados e não representam especificações.

NOTA:

Tome nota da morada e telefone do serviço de assistência local no quadro incluído a seguir.
 Em caso de avaria, entre em contacto com este serviço e tente dar todos os detalhes pertinentes para poder receber uma ajuda rápida.

Assinatura e carimbo do fornecedor

Normas sobre segurança e limites de condução gerais

A engenharia e construção desta cadeira de rodas destinam-se a oferecer a maior segurança. As normas de segurança internacionais atualmente em vigor foram cumpridas ou excedidas.

No entanto, existe o risco de perigo se os utilizadores manusearem incorretamente a cadeira de rodas. Para sua própria segurança, deve respeitar completamente as seguintes regras.

A adaptação ou ajustamento não profissional ou errado pode aumentar o risco de acidentes. Como utilizador da cadeira de rodas, faz também parte do tráfego diário nas ruas e passeios, como tudo o resto. Gostaríamos de lhe chamar a atenção que, deste modo, está também sujeito a qualquer regra do Código de Estrada.

Tenha cuidado durante a sua primeira viagem na cadeira de rodas. Familiarize-se com a sua Cadeira de Rodas.

Antes de cada utilização, deve inspecionar o seguinte:

- Eixos fixos ou eixos de extração rápida nas rodas traseiras
- Velcro dos assentos e encostos
- Pneus, pressão dos pneus e dispositivos de bloqueio das rodas.

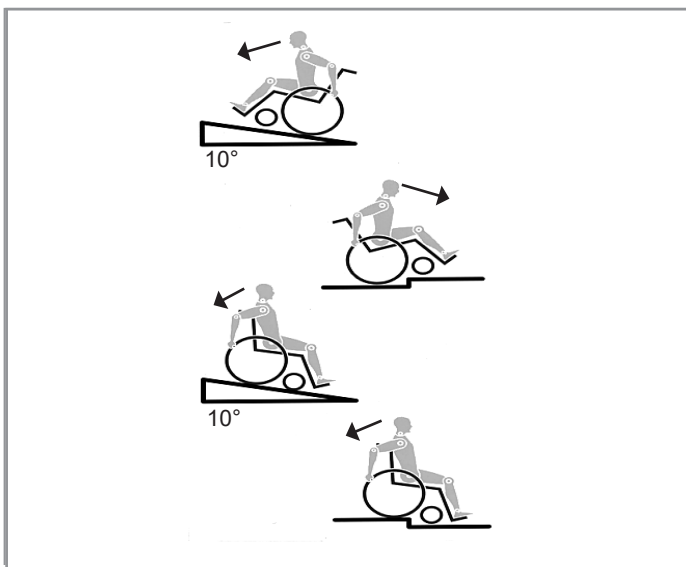
Antes de alterar qualquer um dos ajustamentos desta cadeira de rodas, é importante ler a seção correspondente do Manual de Utilizador.

É possível que a cadeira caia se passar por cima de buracos ou conduzir em solo desnivelado, especialmente quando subir ou descer solo inclinado. Quando subir um degrau ou uma inclinação de frente, deve inclinar o corpo para a frente.

PERIGO!

- NUNCA exceda a carga máxima de 145 kg (XL = 170 kg) para o condutor mais quaisquer objectos transportados na cadeira. Se exceder a carga máxima, pode danificar a cadeira, pode cair ou tombar, perder controlo e pode causar ferimentos graves em si e noutras pessoas.
- Quando estiver escuro, vista roupas de cores claras ou roupas com refletores, para ser mais facilmente visível. Verifique se os refletores no lado e na traseira da cadeira de rodas são claramente visíveis.
- Recomendamos também que instale uma luz ativa.
- Para evitar quedas e situações perigosas, pratique primeiro a condução da sua nova cadeira de rodas em solo nivelado e com boa visibilidade.
- Quando se sentar ou sair da cadeira de rodas, não se apoie nos apoios de pés.
- Deve dobrá-los para cima antes e movê-los para o exterior tanto quanto possível. Posicione-se sempre tão próximo quanto possível do local para onde se pretende transferir.
- Utilize sempre a cadeira de rodas com cuidado. Por exemplo, evitar transpor obstáculos sem travar (degraus, lancis) ou descer desnivelamentos de solo.

- Os travões das rodas não se destinam a parar a cadeira de rodas em movimento. Existem apenas para garantir que a sua cadeira de rodas não se move por acidente. Quando parar em solo desnivelado, deve usar sempre os dispositivos de bloqueio das rodas para evitar que a cadeira se mova. Active sempre ambos os dispositivos. Caso contrário, a sua cadeira de rodas pode inclinar-se.
- Explore os efeitos da mudança do centro de gravidade no comportamento da cadeira de rodas, por exemplo, em inclinações, declives, todos os desnivelamentos ou quando transpor obstáculos. Faça-o com a assistência de alguém.
- Em condições extremas (p.ex. com as rodas traseiras na posição mais dianteira) e com uma postura menos perfeita, a cadeira de rodas pode tombar mesmo numa superfície plana.
- Incline o seu tronco para a frente quando subir declives e degraus.
- Incline o seu tronco ainda mais para trás quando descer declives e degraus. Nunca tente subir e descer um declive na diagonal.
- Evite utilizar escadas rolantes que podem causar ferimentos graves em caso de queda.
- Não conduza a cadeira de rodas em declives superiores a 10°. O declive seguro dinâmico depende da configuração da cadeira, das capacidades do utilizador e do estilo de condução. Uma vez que as capacidades do utilizador e estilo de condução não podem ser pré-determinados então o desnivelamento máximo seguro não pode ser pré-determinado. Assim, deve ser determinado pelo utilizador com a ajuda de um assistente para evitar cair. Aconselhamos vivamente a instalação de dispositivos anti-queda se o utilizador for inexperiente.
- É possível que a cadeira caia se passar por cima de buracos ou conduzir em solo desnivelado, especialmente quando subir ou descer solo inclinado.
- Não conduza a cadeira de rodas em solo lamacento e com gelo.
- Não utilize a sua cadeira de rodas onde os pedestres não podem circular.
- Para evitar ferimentos nas mãos, não coloque as mãos nos raios ou entre a roda traseira e o dispositivo de bloqueio das rodas quando conduzir a cadeira de rodas.
- Em especial, quando usar aros de rodas leves, os dedos podem facilmente aquecer quando travar a altas velocidades ou em inclinações longas.
- Só deve tentar subir escadas com a ajuda de um assistente. Existe equipamento para o auxiliar, p.ex. subir rampas ou utilizar elevadores. Utilize-o. Se não existir equipamento para uma determinada função, então a cadeira de rodas deve ser inclinada e empurrada e nunca transportada em degraus (2 assistentes). Não aconselhamos a transferência de utilizadores com mais de 100 kg de peso desta maneira. Regra geral, deve instalar previamente os tubos anti-queda, para não tocarem nos degraus, porque de outro modo poderá sofrer uma queda grave. Depois, os tubos anti queda devem ser colocados na posição correta.



PERIGO!

- Certifique-se que o auxiliar segura na cadeira apenas nas peças firmemente instaladas. Não pegue pelas peças removíveis (por exemplo, não pegue pelos apoios de pés ou pelas proteções laterais).
- Quando utilizar uma rampa de suspensão, certifique-se que os tubos anti queda instalados estão posicionados fora da área de perigo.
- Imobilize a cadeira de rodas em solo irregular ou quando a transportar (p.ex. num carro) usando os dispositivos de bloqueio das rodas.
- Quando utilizar uma rampa de suspensão, certifique-se que os tubos anti queda instalados estão posicionados fora da área de perigo.
- Imobilize a cadeira de rodas em solo irregular ou quando a transportar (p.ex. num carro) usando os dispositivos de bloqueio das rodas.
- Se, e sempre que possível, durante uma viagem num veículo equipado para transportar pessoas com deficiências motoras, os ocupantes do veículo devem usar os assentos do veículo e o sistema de segurança apropriado. Esta é a única maneira de garantir que os ocupantes recebem a proteção máxima em caso de acidente.
- Dependendo do diâmetro e configuração das rodas giratórias assim como da configuração do centro de gravidade da cadeira de rodas, as rodas giratórias podem começar a vibrar em velocidades mais elevadas. Isto pode causar o bloqueio da roda giratória e a cadeira de rodas pode tombar. Assim, certifique-se que as rodas giratórias estão ajustadas corretamente (consulte o capítulo "Rodas giratórias").
- Aconselhamos os utilizadores mais inexperientes a utilizarem tubos anti queda.
- Os tubos anti queda devem evitar a queda da cadeira para trás por acidente. Em circunstância alguma devem ser utilizados em vez das rodas normais e devem ser utilizados para transportar uma pessoa numa cadeira de rodas com as rodas traseiras removidas.
- Quando pegar em objetos (à frente da, ao lado da ou por detrás da cadeira de rodas) certifique-se que não se inclina demasiado para longe da cadeira de rodas, porque se alterar o centro de gravidade existe o risco de cair ou capotar. Se pendurar pesos adicionais (mochilas ou outros objetos semelhantes) nas barras da sua cadeira de rodas pode afetar a estabilidade traseira, especialmente quando utilizada em combinação com encostos reclináveis. Deste modo, a cadeira pode inclinar-se para trás causando ferimentos.
- Para amputados ao nível da coxa, os tubos anti-queda devem ser utilizados.
- Antes de conduzir, verifique se a pressão dos pneus está correta. Para as rodas traseiras, deve ser, pelo menos, 3,5 bares (350 kPa). A pressão máxima está assinalada no pneu. Os travões das rodas com alavanca de joelho só funcionam se os pneus tiverem pressão suficiente e se as configurações correctas tiverem sido feitas (consulte o Capítulo sobre "Travões das rodas").
- Se o assento ou encosto estiverem danificados, deve substituí-los imediatamente.
- Cuidado com o fogo, especialmente com cigarros acesos. As telas do assento e encosto podem incendiar-se.
- Se a cadeira de rodas estiver exposta à luz do sol / a temperaturas frias durante longos períodos de tempo, então as peças da cadeira de rodas (ou seja, a estrutura, apoios de pernas, travões das rodas e proteções laterais) podem aquecer (>41°C) / arrefecer (<0°).
- Verifique se os eixos de extração rápida nas rodas traseiras, se instalados, estão configurados corretamente e bloqueados (os rolamentos de bloqueio são completamente visíveis através da manga do eixo). Se não premir o botão no eixo de extração rápida, não pode remover a roda traseira.

CUIDADO!

- O efeito do travão com manípulo de joelho assim como as características gerais de condução dependem da pressão dos pneus. A cadeira de rodas é significativamente mais leve e mais fácil de manobrar quando as rodas traseiras estiverem cheias e a pressão de ambas as rodas for igual.
- Verifique se os seus pneus estão em boas condições!
- Tenha em conta que fica sujeito a toda e qualquer regra de trânsito quando conduzir na rua.
- Tenha sempre cuidado quando manusear ou ajustar a cadeira de rodas!
- Ajustamentos que exijam ferramentas devem ser sempre efetuados por fornecedores autorizados.
- Limpe periodicamente a cadeira de rodas para evitar a ferrugem e a corrosão por sal.
- Inspeccione os rebites, porcas e parafusos para confirmar que estão apertados e que nenhuma peça da cadeira de rodas está solta.
- Com todas as peças móveis, existe o risco natural de entalar os dedos. Manuseie com cuidado.
- Os produtos apresentados e descritos neste manual podem não ser exatamente iguais em todos os detalhes ao seu próprio modelo. No entanto, todas as instruções que se indicam, são perfeitamente aplicáveis, independentemente dessas pequenas diferenças.
- O fabricante reserva-se no direito de modificar, sem aviso prévio, os pesos, dimensões e outros dados indicados neste manual. Todos os valores, medidas e capacidades indicados neste manual são aproximados e não representam especificações.

PERIGO!

PERIGO DE ASFIXIA – Este acessório de mobilidade contém peças pequenas que, em determinadas circunstâncias, podem representar perigo de asfixia para as crianças.

VIDA ÚTIL

A vida útil prevista deste produto é 5 anos desde que: Seja utilizada de acordo com o objetivo para o qual foi criado todos os requisitos de reparação e manutenção sejam respeitados.

Garantia

Ver o documento “Condições Gerais de Garantia” que acompanha este manual do utilizador.
Também disponível em www.sunrisemedical.pt, seção “General Conditions of Sale” (Condições Gerais de Venda).

Transporte

⚠ PERIGO!

Existe o risco de ferimentos graves ou morte se esta sugestão for ignorada!

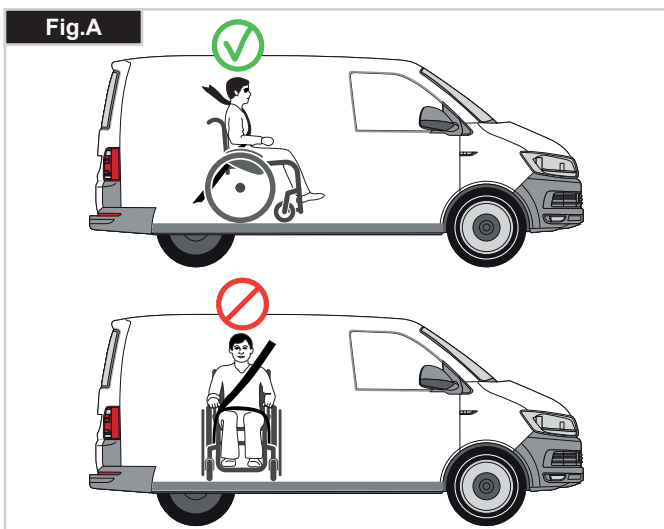
PORTUGUÊS

Transporte da cadeira de rodas num veículo:

Uma cadeira de rodas fixa num veículo não apresenta o nível de segurança equivalente ao do sistema de segurança do veículo. É sempre aconselhável transferir o utilizador para o assento do veículo. A Sunrise Medical reconhece que nem sempre é prático para o utilizador ser transferido e, nestas circunstâncias, quando for necessário transportar o utilizador na cadeira de rodas, os seguintes conselhos devem ser respeitados:

1. Confirme se o veículo está equipado para transportar um passageiro numa cadeira de rodas e se tem rampa de acesso/ entrada para o seu tipo de cadeira de rodas. A resistência do piso do veículo deve ser suficiente para suportar o conjunto do peso do utilizador, da cadeira de rodas e acessórios.
2. Deve existir espaço suficiente à volta da cadeira de rodas para permitir fixar, apertar e libertar a cadeira de rodas e os cintos de segurança e dispositivos de fixação do ocupante.
3. A cadeira de rodas ocupada deve ser posicionada virada para a frente e fixada com as correias de fixação da cadeira de rodas e do ocupante (correias WTORS que cumpram os requisitos de ISO 10542 ou SAE J2249) de acordo com as instruções do fabricante WTORS.
4. A utilização da cadeira de rodas noutras posições dentro de um veículo ainda não foi testada, p.ex. o transporte da cadeira virada para o lado não deve ser feito em circunstância alguma (Fig. A).

5. A cadeira de rodas deve ser fixa por um sistema de fixação, conforme ISO 10542 ou SAE J2249 com correias dianteiras não ajustáveis e correias traseiras ajustáveis, normalmente com ganchos em S/Karabiner e fixações de fivela. Estes dispositivos de fixação são normalmente constituídos por 4 correias individuais fixadas a cada canto da cadeira de rodas.
6. O sistema de fixação deve ser instalado na estrutura principal da cadeira de rodas como ilustrado pelo diagrama na página seguinte e não em qualquer peça ou acessório, por exemplo, não à volta dos raios da roda, dos travões das rodas ou dos apoios dos pés.
7. As correias de fixação devem ser presas tão próximo quanto possível, a um ângulo de 45 graus, e apertadas com firmeza de acordo com as instruções do fabricante.
8. Os pontos de fixação da cadeira de rodas ou a estrutura ou componentes não devem ser alterados ou substituídos sem consultar o fabricante. Se não o fizer, coloca em risco a capacidade de transportar a cadeira de rodas Sunrise Medical num veículo.
9. Tanto o cinto de segurança pélvico e superior do tronco devem ser usados para segurar o ocupante para reduzir o risco de impactos na cabeça e peito com os componentes do veículo e reduzir o risco de ferimentos graves no utilizador e outros ocupantes do veículo. (Fig. B) O cinto de segurança superior do tronco deve ser instalada no pilar "B" do veículo - se não o fizer aumenta o risco de ferimentos abdominais graves no utilizador.
10. Deve instalar e posicionar sempre um sistema de encosto de cabeça durante o transporte (ver etiqueta do encosto da cabeça).
11. Os suportes da postura (os cintos pélvico, cintos de segurança) não devem ser usados para segurar o ocupante num veículo em movimento a não ser que indiquem que cumprem os requisitos especificados em ISO 7176-19:2001 ou SAE J2249.
12. A segurança do utilizador durante o transporte depende das diligências da pessoa que fixou as correias de fixação e para as quais deve ter recebido instruções e/ou formação adequada.



Transporte

13. Sempre que possível, remova e guarde a cadeira de rodas e todo o equipamento auxiliar em local seguro. Por exemplo: Canadianas, almofadas soltas e tabuleiros.

14. O apoio de perna articulado/de elevação não deve ser usado na posição elevada quando a cadeira de rodas e o utilizador forem transportados e a cadeira de rodas for fixa usando os Dispositivos de Fixação de Transporte da Cadeira de Rodas e do Ocupante.

15. Os encostos reclináveis devem ser colocados na posição superior.

16. Os travões manuais das rodas devem ser firmemente accionados.

17. As correias de fixação devem ser instaladas no pilar "B" do veículo e devem ser mantidas afastadas do corpo pelos componentes da cadeira de rodas, como apoios de braços ou rodas.

INSTRUÇÕES PARA SEGURANÇA DO OCUPANTE:

1. O cinto de segurança pélvico deve ser usado em baixo à frente da pélvis de modo a que o ângulo do cinto pélvico fique dentro da zona confortável de 30 a 75 graus na horizontal. Um ângulo mais acentuado (maior) na zona preferencial é desejável, ou seja próximo de, mas sem ultrapassar, 75°. (Fig. C)

2. O cinto de segurança superior do tronco deve ser instalado sobre o ombro e o peito como ilustrado na Fig. D e E. Deve ajustar os cintos de segurança com o maior aperto possível sem os tornar incómodos para o utilizador. Não deve torcer o sistema de fixação do cinto de segurança quando o usar.

O cinto de segurança superior do tronco deve ser instalado sobre o ombro e ao longo do ombro como ilustrado na Fig. D e E.

3. Os pontos de fixação da cadeira são a estrutura lateral dianteira interna sob a roda giratória e a estrutura lateral traseira. As correias são fixas à volta das estruturas laterais na interseção dos tubos da estrutura horizontal e vertical. (Ver Fig. G-H).

4. O símbolo de fixação (Fig. F) na estrutura da cadeira de rodas indica a posição das correias de fixação da cadeira de rodas. As correias são esticadas depois das correias dianteiras serem instaladas para segurar a cadeira de rodas.

A POSIÇÃO DAS CORREIAS DE FIXAÇÃO NA CADEIRA DE RODAS:

1. Posição do ponto de fixação e da etiqueta do ponto de fixação dianteira (Fig. G) e traseira (Fig. H), da cadeira de rodas.

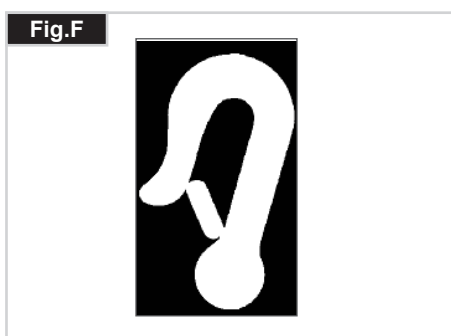
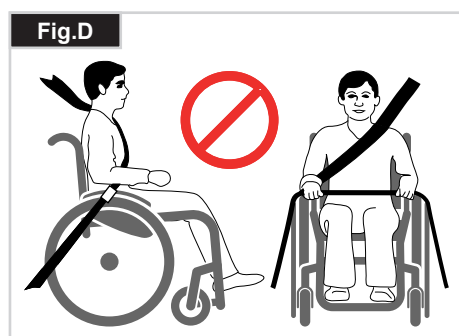
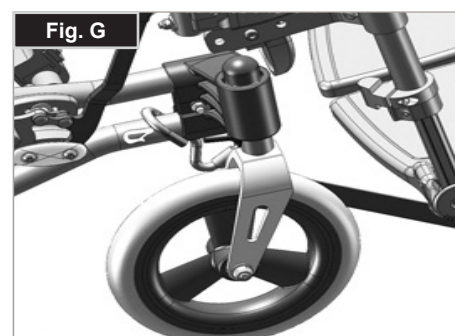
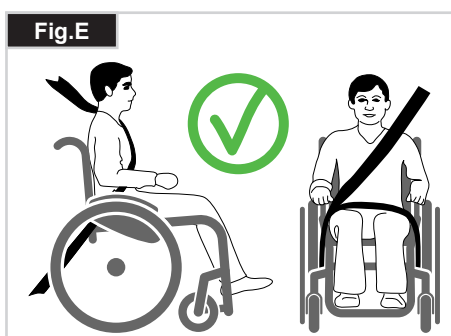
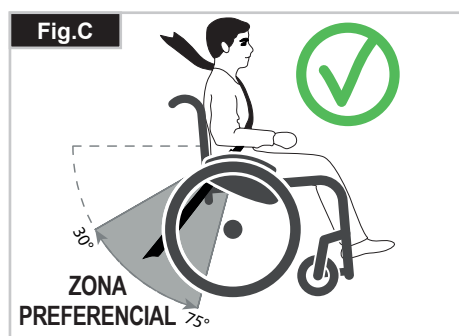
UTILIZADORES COM MENOS DE 22 KG.

Quando a pessoa transportada for uma criança, com massa inferior a 22 Kg e o veículo envolvido tiver menos de oito (8) bancos, recomendamos que a criança seja transferida para um sistema de segurança para crianças (CRS) compatível com UNCE Regulamento 44.

Este tipo de sistema de segurança é um sistema de segurança mais eficaz para o ocupante do que um sistema de segurança convencional de 3 pontos. Alguns sistemas CRS também incluem suportes de postura adicionais para ajudar a manter a postura da criança enquanto sentada.

Os pais ou profissionais de saúde poderão considerar a opção de, em algumas circunstâncias, a criança permanecer na cadeira de rodas durante o transporte devido ao nível de controlo da postura e conforto providenciados pelo sistema na cadeira de rodas.

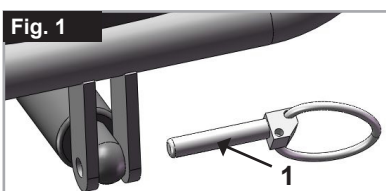
Nestas circunstâncias, recomendamos que o profissional de saúde e pessoas competentes relevantes efetuem uma avaliação dos riscos.



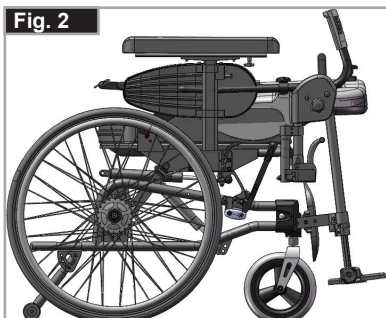
Manuseamento

DOBRAR

O encosto pode ser movido para a frente para possibilitar o transporte da cadeira de rodas. Fixe o encosto para não cair acidentalmente, remova a cavilha de segurança (1) e depois dobre o encosto para trás.



Para que a cadeira de rodas ocupe o menos espaço possível, a almofada do assento e a estrutura do encosto podem ser removidos



⚠️ AVISO!

Risco de ferimento – o encosto deve ser fixado/ preso antes de o libertar.

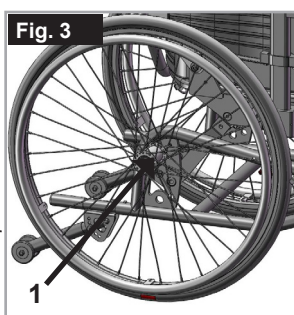
Para colocar o encosto de novo na posição vertical, dobre o encosto para cima e instale a cavilha.

⚠️ PERIGO!

- Risco de ferimento – certifique-se que o encosto está fixado correctamente!
- Certifique-se que a estrutura traseira está fixada correctamente.

EIXOS DE EXTRAÇÃO RÁPIDA NAS RODAS TRASEIRAS

As rodas traseiras estão equipadas com eixos de extração rápida. As rodas podem, assim, ser instaladas ou removidas sem usar ferramentas. Para remover uma roda, basta premir o botão de extração rápida no eixo (1) e puxar a roda do eixo (Fig. 3).

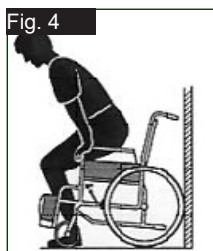


⚠️ CUIDADO!

Mantenha premindo o botão de extração rápida no eixo quando inserir o eixo na armação para montar as rodas traseiras. Liberte o botão para fixar a roda na sua posição. O botão de extração rápida deverá encaixar na sua posição original.

SENTAR-SE NA CADEIRA DE RODAS SEM ASSISTÊNCIA (Fig. 4).

- A cadeira de rodas deve ser apoiada contra uma parede ou mobília sólida;
- Os travões das rodas devem ser accionados;
- Os apoios de pés retrácteis devem estar dobrados para cima;
- O utilizador pode fazer-se descer na cadeira de rodas;
- Os apoios de pés podem ser empurrados para baixo e os pés apoiados neles em frente dos aros para os calcanhares.



SAIR DA CADEIRA DE RODAS SEM ASSISTÊNCIA

(Fig. 5)

- Os travões das rodas devem ser accionados;
- Os apoios de pés retrácteis devem estar dobrados para cima;
- Com uma mão em cada apoio de braço, a pessoa deve dobrar-se ligeiramente para a frente para aplicar o peso do corpo na parte dianteira da cadeira e, com ambos os pés firmemente no chão, um pé bem atrás, levante-se.



⚠️ AVISO!

- Quando estiver de pé, não se apoie nos apoios de pés ou a cadeira de rodas pode tombar. É mais fácil e seguro sentar-se na cadeira de rodas se rodar os apoios de pés para cima e para fora do caminho ou se os remover da cadeira de rodas.
- Accione sempre os travões das rodas quando se levantar ou se sentar na cadeira de rodas.

Opções – Tubos de Apoio

TUBOS DE APOIO

Os tubos de apoio são usados pelos assistentes para inclinar uma cadeira de rodas sobre um obstáculo. Basta empurrar o tubo com o pé para empurrar a cadeira de rodas, por exemplo, sobre um lancil ou degrau (Fig. 6).



⚠️ CUIDADO!

A Sunrise Medical recomenda fortemente a utilização de um tubo de apoio em modelos de rodas normais e também em qualquer modelo onde o assistência é um elemento predominante para a utilização da cadeira de rodas, porque as barras traseiras podem sofrer danos se as puxar para trás para inclinar a cadeira de rodas, para ultrapassar obstáculos.

Opções – Dispositivos de Bloqueio das Rodas

DISPOSITIVOS DE BLOQUEIO DAS RODAS

A sua cadeira de rodas está equipada com dois dispositivos de bloqueio de rodas. São aplicados diretamente sobre os pneus. Para ativar os dispositivos, empurre ambos os manípulos de bloqueio contra as peças de travagem. Para desbloquear a roda, puxe os manípulos para trás para a sua posição original.

A capacidade de travagem diminui com:

- Piso desgastado dos Pneus
- Pressão dos Pneus demasiado baixa
- Pneus molhados
- Dispositivos de bloqueio das rodas incorretamente ajustado.

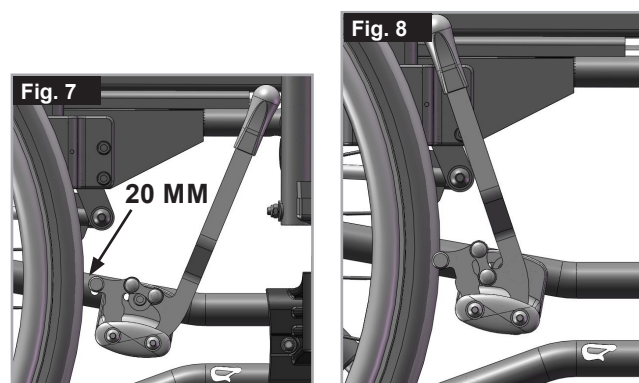
Os travões das rodas não foram concebidos para serem utilizados uma cadeira de rodas em movimento. Assim, os dispositivos de bloqueio das rodas nunca devem ser usados para travar uma cadeira de rodas em movimento. Use sempre os aros das rodas para travar. Certifique-se que o intervalo entre os pneus e dispositivos de bloqueio das rodas respeita as especificações apresentadas. Para reajustar, desaperte o parafuso e ajuste o intervalo apropriado. Depois, aperte de novo os parafusos (Fig. 7-8).

⚠ CUIDADO!

Após cada ajustamento das rodas traseiras, inspecione o intervalo dos dispositivos dos travões das rodas e reajuste se necessário.

Se montar o dispositivo de travão das rodas demasiado próximo da roda, será necessário um maior esforço para o ativar. Isso pode causar com que a extensão da alavanca do travão parta!

Se se inclinar sobre o manípulo de extensão do dispositivo de travão das rodas durante a transferência, poderá parti-lo! Água salpicada pelos pneus poderá causar o funcionamento incorreto dos travões.



TRAVÕES DE TAMBOR

Os travões de tambor permitem a um auxiliar travar convenientemente e em segurança.

Também podem ser accionados com a alavanca de bloqueio (1) para evitar o movimento da cadeira.

A alavanca ao encaixar correctamente emite um som.

Os travões de tambor não são influenciados pela pressão de ar dos pneus (Fig. 9).



⚠ AVISO!

- Os travões de tambor apenas podem ser ajustados por fornecedores autorizados.
- Accione sempre simultaneamente os dois Travões de Tambor para garantir o controlo da direcção de condução!
- Os travões de tambor só podem ser utilizados como travão dinâmico para parar a cadeira de rodas durante a condução.
- Accione sempre a unidade bloqueio das rodas para prender a cadeira de rodas durante uma paragem breve ou longa ou durante uma transferência.

Opções – Apoios para pés

APOIOS PARA PÉS:

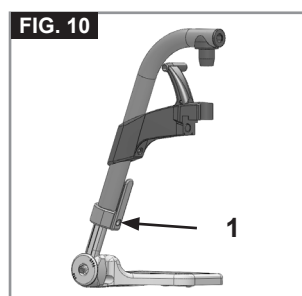
Os apoios para pés podem ser dobrados para cima para facilitar a entrada/saída da cadeira.

COMPRIENTO DA PERNA:

Para utilizadores com pernas mais longas, o suporte das pernas pode ser descido para o nível apropriado utilizando os parafusos (1). Desaperte os parafusos, empurre os tubos para a posição pretendida e depois aperte de novo os parafusos (veja a secção sobre o binário). Deve existir sempre uma distância mínima de 2,5 cm entre os apoios de pés e o chão, (Fig. 10).

PLATAFORMAS DE PÉS E LINGUETA

Os apoios de pernas podem ser dobrados para dentro sob a correia do assento ou para fora. Quando instalar os apoios de pés, os apoios devem estar virados para dentro ou para fora. Depois, rode os apoios das pernas para dentro, até ficarem fixos. Para remover, puxe a alavanca (1), rode o apoio de para dentro ou para fora e, depois, levante o apoio para fora. Certifique-se que o apoio de pernas está corretamente fixado, (Fig. 11).



⚠ CUIDADO!

- Os apoios de pernas não devem ser utilizados para levantar ou transportar a cadeira de rodas.
- Quando se sentar ou sair da cadeira de rodas, não se apoie nos apoios de pés. Deve dobrá-los para cima antes e movê-los para o exterior tanto quanto possível.

Opções - Suporte para amputados

SUPORTE PARA AMPUTADOS

(Fig. 12).

O suporte para amputados pode ser ajustado em qualquer direção, se necessário.



FIG. 12

Opções - Apoio de Pés Elevatório

APOIO DE PERNAS ELEVATÓRIO OPCIONAL

(Fig. 13-15)

Para remover, puxe a alavanca (1), rode o apoio de pés para fora e depois levante o apoio de pernas para fora.

AJUSTAMENTO DA ALTURA:

O comprimento da perna inferior pode ser ajustado infinitamente, desapertando o parafuso (2). Ajuste uma altura adequada e aperte de novo o parafuso.

⚠ CUIDADO!

A distância entre a placa de pés e o chão deve estar a, pelo menos, 40 mm.

AJUSTAMENTO DO ÂNGULO:

Empurre a alavanca (3) para baixo com uma mão enquanto suporta o apoio de pernas com a outra mão para aliviar a carga. Quando atingir um ângulo adequado, largue a alavanca e o apoio de pernas fixa numa das posições pré-definidas.

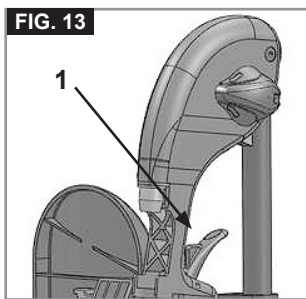


FIG. 13

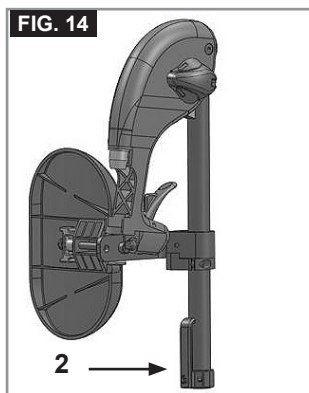


FIG. 14

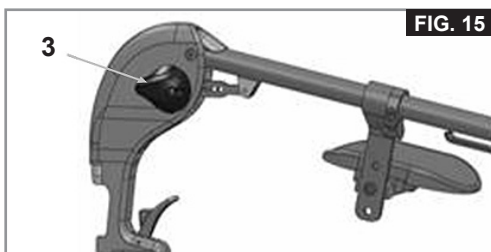


FIG. 15

AJUSTAMENTO DA ALMOFADA PARA A COXA

(Fig. 16).

A almofada para a coxa pode ser ajustada da seguinte maneira:
Altura: Desaperte o parafuso (4) e mova a peça de fixação para a posição pretendida. Também pode ajustar o ângulo rodando a peça de fixação.

Profundidade: Desaperte o parafuso (5) e mova a almofada para a coxa para a posição pretendida.

Largura: Desaperte o parafuso (5) e posicione os espaçadores (6) para obter a posição pretendida.

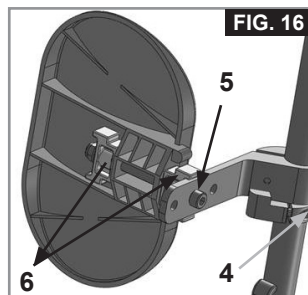


FIG. 16

⚠ AVISO!

- Mantenha as mãos afastadas do mecanismo de ajuste entre a estrutura e as peças móveis do apoio de pés enquanto subir ou baixar o apoio de pés.
- Certifique-se sempre que os dispositivos de aperto estão fixos.
- Os apoios de pés não devem ser utilizados para levantar ou transportar a cadeira de rodas.
- Risco de entalar dedos. Quando mover o apoio de pés para cima ou para baixo, não coloque os dedos no mecanismo de ajuste entre as peças móveis do apoio de pés.

Opções – Roda Giratória

RODAS GIRATÓRIAS, PLACAS DAS RODAS GIRATÓRIAS, FORQUETAS

A cadeira de rodas pode deslizar ligeiramente para a direita ou para a esquerda ou as rodas giratórias podem vibrar. As razões podem ser as seguintes:

- O movimento frontal e/ou inverso da roda não foi ajustado corretamente.
- O ângulo da roda giratória não foi ajustado corretamente.
- A pressão do ar da roda giratória e/ou roda traseira é incorreta; as rodas não viram suavemente.
- A cadeira de rodas não se move em linha recta se não ajustar corretamente as rodas giratórias.

⚠ AVISO!

- As rodas giratórias devem ser sempre ajustadas por um fornecedor autorizado.
- Os bloqueios das rodas devem ser inspecionados sempre que alterar a posição da roda traseira.

Opções – Adaptador da roda giratória

AJUSTAMENTOS DA ALTURA DO ASSENTO:

A altura do assento é determinada pela posição da roda giratória e da roda traseira. A altura do assento pode ser ajustada utilizando rodas traseiras de diferentes tamanhos ou alterando a posição das rodas traseiras e das rodas giratórias e utilizando espaçadores.

⚠ CUIDADO!

- Depois de ajustar a altura do assento, todos os parafusos devem ser apertados de novo.
- O ângulo da roda giratória deve ser ajustado para 90°.
- Assim, a altura dianteira e traseira deve ser sempre igual.

Opções – Encosto

ENCOSTO COMFORT

(Fig. 17 a 19).

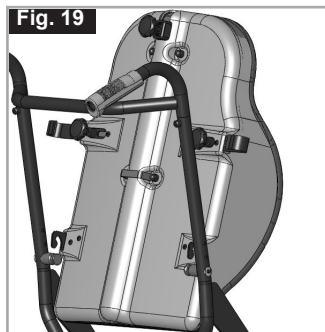
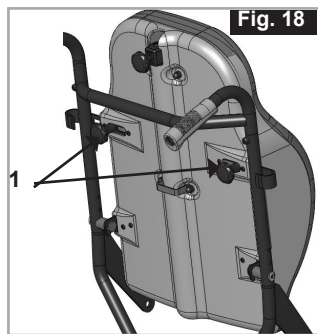
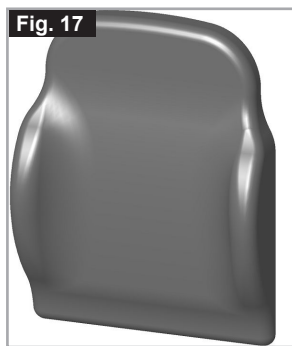
O encosto comfort oferece suporte lateral e posição de assento confortável durante longos períodos de tempo.

A estrutura traseira pode ser removida, rodando os botões (1) e empurrando para fora. Se mover a estrutura traseira para a frente-cima, liberta-a dos ganchos-guia.

A almofada é fixada com o velcro e pode também ser removida.

⚠ AVISO!

Quando fixar o encosto, certifique-se que a estrutura está correctamente fixada aos ganchos-guia e bloqueada correctamente.



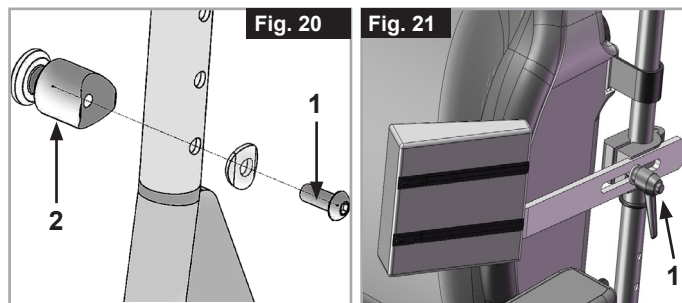
Opções – Encosto

ENCOSTO DE ALTURA AJUSTÁVEL

A altura do encosto pode ser ajustada para 4 posições diferentes. Liberte e remova os parafusos (1) e mova os ganchos-guia (2) para a posição pretendida. Aperte de novo os parafusos, (Fig. 20).

SUPORTE DO TRONCO

O ângulo, profundidade e altura do suporte do tronco podem ser ajustados. Pode ser afastado rodando a alavanca de desbloqueio (1). (Fig. 21)



RECLINAÇÃO PARA TRÁS (0° - 35°)

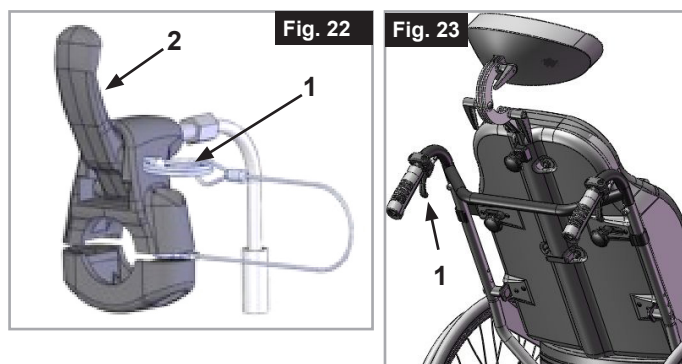
⚠ CUIDADO!

Antes de operar, remova o pino de bloqueio (1), (Fig. 22).

Se puxar a alavanca (2), pode desbloquear o encosto e movê-lo para a posição pretendida. Se libertar a alavanca (1), o encosto é fixado automaticamente nessa posição (Fig. 23).

⚠ AVISO!

- Recomenda-se o ajustamento da reclinção juntamente com os tubos anti-queda (distância máxima para o chão 3 – 5 cm).
- Nunca ajuste o ângulo traseiro se a cadeiras de rodas estiver num declive.
- Assegure-se que o pino de bloqueio é colocado de novo na sua posição.



Opções – Protecção lateral

APOIOS DE BRAÇOS DE ALTURA AJUSTÁVEL

Para ajustar a altura, puxe a alavanca (1) e empurre o apoio de braço para a altura pretendida. Depois, certifique-se que a alavanca (1) fica de novo bloqueada em posição. Para remover completamente a protecção lateral, empurre a alavanca (2). Quando instalar a protecção lateral, também deve empurrar a alavanca (2). Certifique-se sempre que a protecção lateral se fixa correctamente na posição no receptor. (Fig. 24).

⚠️ AVISO!

Existe o risco de entalar os dedos quando ajustar a altura dos apoios de braços.

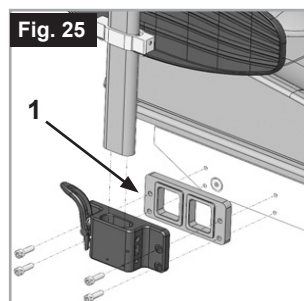
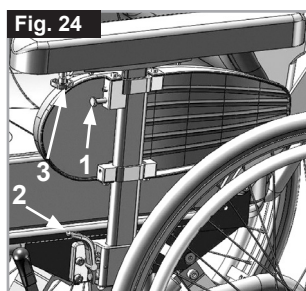
A posição da almofada de braço pode ser alterada, abrindo o botão em estrela (3) e movendo a almofada para a posição pretendida, (Fig. 24).

Certifique-se que o botão em estrela está correctamente apertado!

Para aumentar a largura do assento em 2 cm, a almofada interior pode ser removida e/ou 2 espaçadores (1) adicionados (Fig. 25).

⚠️ CUIDADO!

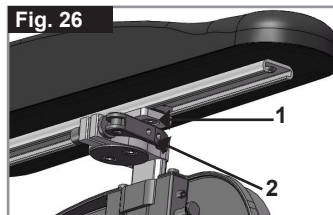
Quando espaçar o apoio de braço, a roda traseira deve ser movida para fora também (Fig. 25)



Opções – Apoio de braços hemiplégico

APOIO DE BRAÇOS HEMIPLÉGICO

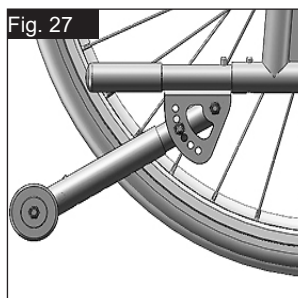
O apoio de braços hemiplégico pode ser ajustado tanto em comprimento como em ângulo. Pode ajustar o comprimento empurrando o apoio de braço depois de desapertar os 2 parafusos rotativos (1). Para ajustar o ângulo, abra a alavanca de desbloqueio (2) e rode o apoio de braço para a posição pretendida, depois aperte-a de novo (Fig. 26).



Opções – Tubos Anti-queda

TUBOS ANTI-QUEDA

Os tubos anti-queda oferecem segurança adicional para utilizadores inexperientes quando ainda estão a aprender a utilizar a cadeira de rodas. Os tubos impedem que a cadeira de rodas se incline para trás. O tubo anti queda deve ser inserido no tubo da estrutura até o primeiro dos dois botões de mola entrar no primeiro orifício do tubo da estrutura, (Fig. 27).



⚠️ AVISO!

O ajustamento incorreto dos tubos anti-queda aumenta o risco da cadeira se inclinar para trás. Deve dobrar os tubos anti-queda para cima quando subir ou descer obstáculos (como lancis) para evitar que toquem no chão e depois rodá-los para baixo para a posição normal.

NOTA: Não insira ambos os botões do tubo anti-queda no tubo da estrutura porque pode danificar os tubos anti-queda e causar a redução de eficácia. Empurrando o segundo botão de desbloqueio exposto, as rodas de segurança podem ser ajustadas para cima ou removidas. Deve existir sempre uma distância entre 3 cm e 5 cm entre a barra e o chão. Deve dobrar as rodas de segurança para cima quando subir ou descer obstáculos (como lancis) para evitar que toquem no chão. Depois, rode as rodas de segurança para baixo para a posição normal (Fig. 27).

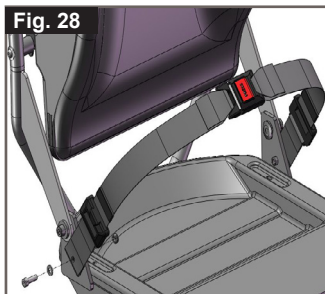
Opções – Cinto de segurança

CINTO DE SEGURANÇA

⚠️ PERIGO!

Antes de usar a sua cadeira de rodas verifique se o cinto de segurança está bem colocado e corretamente ajustado antes de usar.

O cinto de segurança está fixo à cadeira de rodas como indicado nas imagens. O cinto de segurança é constituído por 2 metades. São instaladas usando o parafuso de fixação de suspensão do assento instalado através do ilhó do cinto. O cinto é conduzido sob a parte de trás do painel lateral. (Fig. 28).



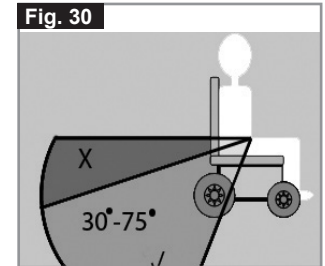
Ajuste a posição do cinto de modo a que as fivelas fiquem no centro do assento.

Ajuste o cinto de segurança de acordo com as necessidades do utilizador da seguinte forma:

Para aumentar o comprimento do cinto	Para reduzir o comprimento do cinto	✓
Conduza o cinto através dos ajustadores e da fivela macho para que o comprimento seja maior.	Conduza o cinto através da fivela macho e ajustadores.	Verifique se o cinto não está enrolado na fivela macho.

Quando apertado, verifique o espaço entre o cinto de segurança e o utilizador. Quando corretamente ajustado deverá ser possível enfiar a palma da mão entre o cinto e o utilizador. (Fig. 29)

Normalmente, o cinto de segurança deve ser fixo de modo a que as correias fiquem num ângulo aproximado de 45° e quando corretamente ajustado não deve deixar que o utilizador caia do assento. (Fig. 30).



Para apertar a fivela: Empurre firmemente a fivela macho para a fivela fêmea.	Para abrir o cinto: Prima os lados expostos da fivela macho e empurre para o centro / prima o botão da fivela fêmea enquanto afasta cuidadosamente.

SUGESTÃO PARA O CLIENTE

⚠️ PERIGO!

- Não use apenas o cinto de segurança quando transportar a cadeira de rodas e o ocupante num veículo. Use o espaço de ocupante destinado e os dispositivos de fixação diagonais instalados no veículo.
- Antes de usar recomendamos que inspecione o seu cinto de segurança para garantir que está ajustado corretamente, sem qualquer obstrução ou desgaste e que a fivela encaixa com segurança.
- Se não se certificar se o cinto de segurança está seguro e ajustado antes de usar, poderá causar ferimentos graves no utilizador. Por exemplo, uma correia demasiado folgada não conseguirá evitar que o utilizador escorregue e fique sufocado.

MANUTENÇÃO:

Verifique o cinto de segurança e os componentes de fixação regularmente para detectar quaisquer sinais de desgaste ou danos. Substitua se necessário. Limpe o cinto de segurança com água quente, sabão e deixe secar.

⚠️ PERIGO!

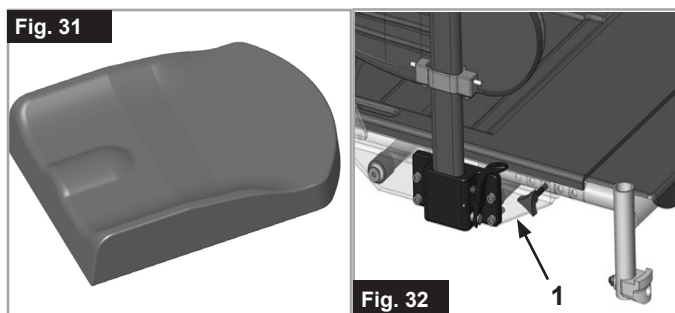
- O cinto de segurança pélvico deve ser ajustado em função do utilizador como descrito anteriormente. A Sunrise Medical também aconselha a inspecionar o comprimento e instalação do cinto periodicamente para reduzir o risco do utilizador reajustar inadvertidamente o cinto com uma força excessiva.
- Em caso de dúvida sobre a utilização e operação do cinto de segurança, consulte o seu profissional de cuidados de saúde, fornecedor da cadeira de rodas,

Opções - Assento**ASSENTO COMFORT (FIG. 31).**

O assento comfort é uma almofada de formato anatómico que oferece uma posição confortável durante um longo período de tempo. A almofada é fixada por Velcro e também pode ser removida. A cobertura pode ser lavada (ver instruções na almofada).

PROFUNDIDADE DO ASSENTO (FIG. 32).

Depois de desapertar os botões em estrela (1) em ambos os lados, a altura do assento pode ser ajustada em incrementos de 2 cm. Estes são indicados pelas marcas na barra do assento e no rótulo na chapa do assento. Ajuste para a posição pretendida e aperte ambos os botões em estrela.

**⚠️ CUIDADO!**

- A profundidade máxima do assento (ver marcação e dispositivo de paragem) não deve ser ultrapassada.
- Certifique-se de que ambos os botões em estrela estão alinhados com o orifício correspondente e firmemente apertados.

AJUSTAMENTO DA LARGURA DO ASSENTO

Pode aumentar a largura do assento da sua cadeira de rodas removendo as almofadas internas ou adicionando espaçadores (ver protecção lateral opcional)

ÂNGULO AJUSTÁVEL DO ASSENTO (0°-25° / -3 -22°)

Antes de operar, remova o pino de bloqueio (1), (Fig. 33).

Puxando a alavanca (2), o assento é libertado e pode ser ajustado para a posição pretendida, (Fig. 34). Quando largar a alavanca, o assento é automaticamente fixado na nova posição.

⚠️ PERIGO!

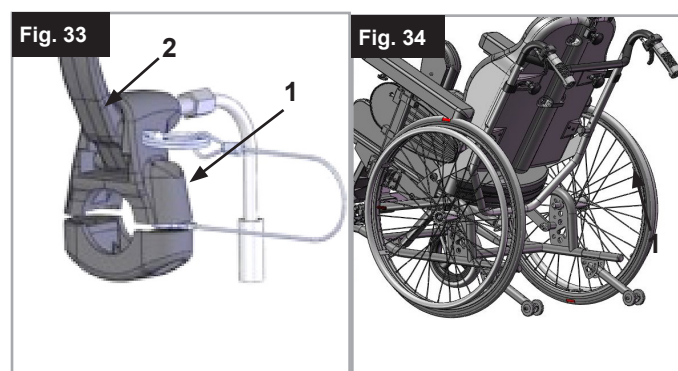
- Nunca ajuste o ângulo do assento se a cadeiras de rodas estiver num declive.
- O assento de ângulo ajustável só pode ser usado com tubos anti-queda.

⚠️ AVISO!

Existe o risco de entalar os dedos quando ajustar o assento.

⚠️ CUIDADO!

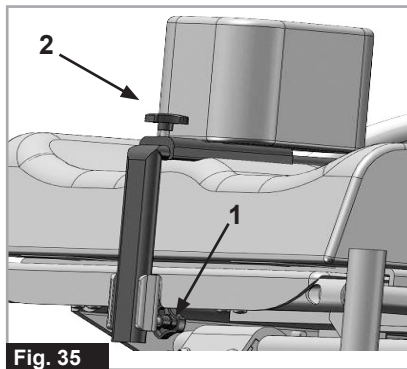
Para garantir o funcionamento correcto dos cabos, estes nunca devem ser esticados ao máximo.



Opções - Abdução

ABDUÇÃO

Desapertando o parafuso (1), o rebordo de abdução pode ser ajustado em altura e desapertando os parafusos (2), o rebordo pode ser ajustado em profundidade ou removido, (Fig. 35).



Opções – Manípulos de Pressão

PEGAS PARA EMPURRAR DE ALTAURA AJUSTÁVEL

Se desapertar os botões em estrela (1), pode ajustar as pegas para a altura que melhor se adequa. Após qualquer ajustamento da altura das pegas, assegure-se de que os Botões em Estrela (1) estão apertados, (Fig. 36).

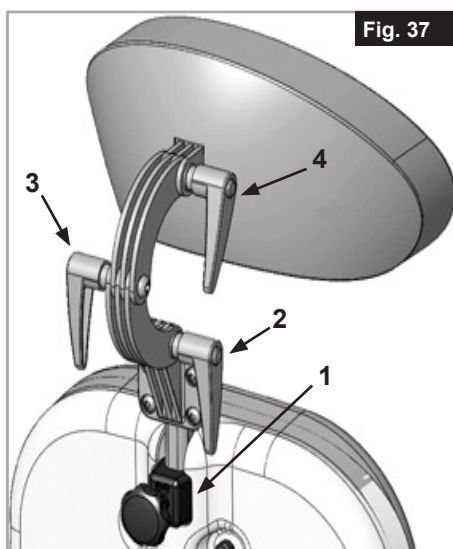


PERIGO!
Se o Botão em Estrela não estiver fixo, podem sofrer ferimentos quando ultrapassar obstáculos.

Opções - Encostos de cabeça

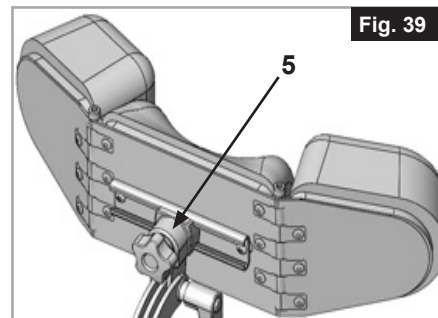
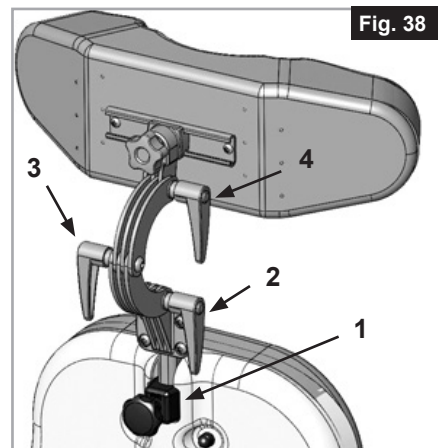
ENCOSTO DE CABEÇA COMFORT

O encosto de cabeça pode ser subido (1) e movido para a frente e para trás, (2-3-4). Para tal, basta desapertar as alavancas relevantes, ajustar o encosto da cabeça para a posição pretendida e apertá-las de novo, (Fig. 37).



ENCOSTO DE CABEÇA DE 3 PEÇAS

O encosto de cabeça pode ser subido (1) e movido para a frente e para trás, (2-3-4). A linha do centro do encosto da cabeça também pode ser ajustada, (5). Para tal, basta desapertar as alavancas/botões relevantes, ajustar o encosto da cabeça para a posição pretendida e apertá-las de novo, (Fig. 38-39).

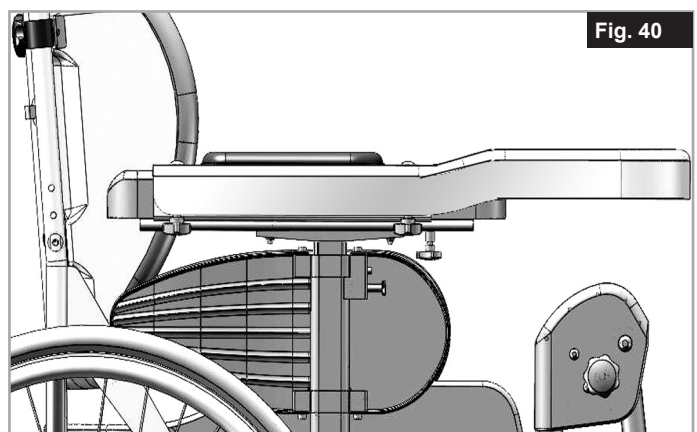


Opções - Mesa de terapia

MESA DE TERAPIA

A mesa é uma superfície plana adequada para muitas actividades. Antes de utilizar uma mesa, primeiro a largura do assento deve ser ajustada por um fornecedor autorizado.

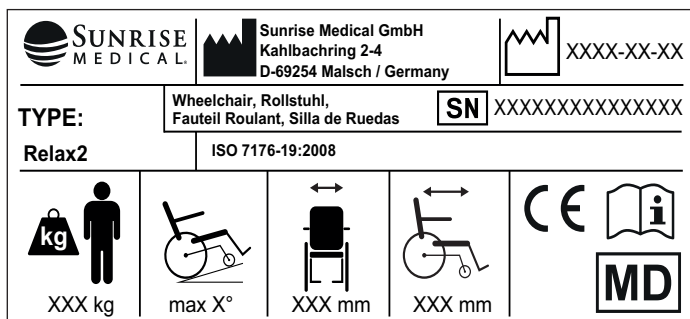
NOTA: O utilizador deve estar sentado na cadeira de rodas durante este ajustamento, (Fig. 40).



Placa de nome

PLACAS DE NOMES

A placa de nome encontra-se na estrutura do tubo em T ou no tubo da estrutura transversal. A placa de nome indica a designação exata do modelo e outras especificações técnicas. Apresente a seguinte informação sempre que encomendar peças de substituição ou uma reclamação:



Relax2	Nome do produto/Número SKU.
	A inclinação máxima segura com tubos anti-queda depende das configurações da cadeira de rodas, postura e capacidades físicas do utilizador.
	Largura do assento.
	Profundidade (Máximo).
	Carga Máxima.
	Símbolo CE.
	Guia do Utilizador.
	Data de fabrico.
	Número de Série.
	Este símbolo significa Dispositivo Médico.
	Morada do fabricante
ISO 7176-19:2008	Testada com contra colisões de acordo com: ISO 7176-19:2008.

Devido à nossa política de melhoria contínua na criação das nossas cadeiras de rodas, as especificações dos produtos podem variar ligeiramente dos exemplos ilustrados. Todos os pesos/dimensões e dados de desempenho são aproximados e apresentados apenas para orientação. A Sunrise Medical está em conformidade com o Regulamento de Dispositivos Médicos (UE) 2017/745.

CE Todas as cadeiras de rodas devem ser usadas de acordo com as instruções do fabricante.

Sunrise Medical GmbH
 Kahlbachring 2-4
 69254 Malsch/Heidelberg
 Deutschland
 Tel.: +49 (0) 7253/980-0
 Fax: +49 (0) 7253/980-222
 kundenservice@sunrisemedical.de
 www.SunriseMedical.de

Inspecões diárias

⚠ CUIDADO!

Como utilizador, será o primeiro a detetar possíveis defeitos. Assim, recomendamos que, antes de cada utilização, inspecione os itens da seguinte lista:

- Verifique se a pressão dos pneus é correta
- Verifique se os travões das rodas funcionam correctamente
- Verifique se todas as peças removíveis estão seguras, por exemplo, apoio de braços, apoio de pés, eixo de extração rápida, etc.
- Verifique se existem danos visíveis, por exemplo, na estrutura, no encosto, na correia do assento e na correia do encosto, na placa dos pés, etc.
- Se detetar danos ou avarias, contacte o seu fornecedor autorizado.

Pneus e Montagem

PNEUS E MONTAGEM

Os pneus sólidos são instalados na fábrica como opção padrão.

Se usar rodas pneumáticas, confirme se mantém a pressão correta dos pneus, porque isto pode afectar o desempenho da cadeira de rodas. Se a pressão for demasiado baixa, a resistência de movimento aumenta, sendo necessário mais esforço para que a cadeira se mova para a frente. Pressão demasiado baixa também afeta negativamente a capacidade de manobra. Se a pressão for demasiado alta, o pneu pode rebentar. A pressão correcta para um determinado pneu está impressa na superfície do próprio pneu, (Máx. 3,5 bar).

Os pneus podem ser montados do mesmo modo que um pneu normal de bicicleta. Antes de instalar um novo tubo interno, deve sempre certificar-se que a base da jante e o interior do pneu não contêm objetos estranhos. Verifique a pressão depois de montar ou reparar um pneu. É vital para a sua segurança e para o desempenho da cadeira de rodas que a pressão de ar seja mantida e que os pneus estejam em boas condições.

Manutenção e Cuidado

MANUTENÇÃO

- Verifique a pressão dos pneus de 4 em 4 semanas. Verifique se os pneus estão gastos ou danificados.
- Verifique os travões das rodas aproximadamente a cada 4 semanas para garantir que funcionam correctamente e são fáceis de usar.
- Mude os pneus como os de uma bicicleta normal.
- Todas as juntas vitais para usar a sua cadeira de rodas com segurança são porcas de auto-fixação.
- Verifique de três em três meses se todos os parafusos estão apertados (Ver a seção sobre força de torção).
- As porcas de segurança devem ser usadas apenas uma vez e substituídas depois de usadas.
- Use apenas produtos de limpeza domésticos suaves ao limpar a cadeira de rodas. Use apenas sabão e água quando limpar as correias do assento.
- Se a sua cadeira de rodas se molhar, seque-a depois de a usar, para evitar ferrugem e corrosão por sal.
- Deve aplicar uma pequena quantidade de óleo para máquinas de costura nos eixos de extração rápida de 8 em 8 semanas, aproximadamente. Consoante a frequência e tipo de utilização, recomendamos que leve a sua cadeira de rodas a um fornecedor autorizado de 12 em 12 meses para que seja inspecionada por pessoal qualificado.

CUIDADO!

Areia e água do mar (ou água no Inverno) podem danificar os rolamentos das rodas frontais e traseiras. Limpe completamente a cadeira de rodas depois de a expôr a estes elementos.

As seguintes peças também podem ser removidas e enviadas para o fabricante/fornecedor para reparação:

Rodas traseiras, Apoio de braços, Hanger, Anti – quedas. Estes componentes estão disponíveis como peças de reposição. Pode obter mais informações no manual de peças.

HIGIENE PARA REUTILIZAÇÃO:

Quando a sua cadeira for reutilizada, deve ser cuidadosamente preparada, limpa e tratada com desinfectante, em todas as superfícies que entrem em contacto com o utilizador.

Quando o fizer, deve usar um líquido para desinfeção alcoólica rápida dos produtos médicos e inventário médico quando pretender uma aplicação rápida. Preste atenção às instruções do fabricante do desinfetante que usar.

Regra geral, não deve usar um desinfetante nas bainhas. Assim, recomendamos que elimine o assento e correias traseiras de forma correcta no caso de contaminação microbacterial com agentes activos de acordo com a lei de proteção contra infeções §6.

ARMAZENAGEM

Guarde/mantenha a cadeira de rodas num local seco.

Resolução de Problemas

A CADEIRA DE RODAS GUINA PARA UM DOS LADOS

- Verifique a pressão dos pneus (apenas pneumáticos)
- Verifique se a roda vira facilmente (rolamentos, eixo)
- Inspeccione se os ângulos da roda giratória estão ajustados, se estão consistentes e que o contacto com o chão é o correcto
- Certifique-se se os rolamentos da forqueta da roda giratória rodam sem problemas

AS RODAS GIRATÓRIAS COMEÇAM A VIBRAR

- Verifique o ângulo da roda giratória
- Verifique se todos os parafusos estão apertados; aperte se necessário (Ver a seção sobre força de torção)
- Verifique se ambas as rodas giratórias estão em contacto com o chão

A CADEIRA DE RODAS CHIA E VIBRA

- Verifique se todos os parafusos estão apertados; aperte se necessário (Ver a seção sobre força de torção)
- Aplique uma pequena quantidade de óleo lubrificante nas zonas onde as peças móveis entram em contato

A CADEIRA DE RODAS MOVE-SE IRREGULARMENTE

- Verifique o ângulo das rodas giratórias
- Verifique a pressão dos pneus
- Verifique se as rodas traseiras estão ajustadas de maneira diferente

AMORTECEDORES E CABOS



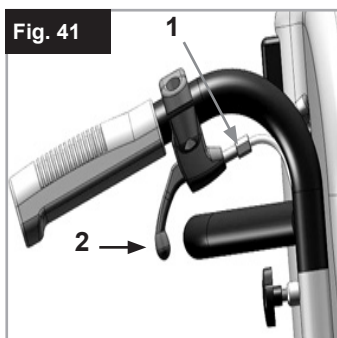
Para evitar qualquer redução do desempenho, deve certificar-se de que os cabos nunca estejam demasiado esticados.

PROBLEMA:

Alavanca folgada

SOLUÇÃO:

Desaperte o parafuso de ajustamento (1) até a alavanca (2) não ter folga, (Fig. 41).



AJUSTAMENTO DO ÂNGULO DO ASSENTO

PROBLEMA:

O assento sai da sua posição, sem a libertação do amortecedor

CAUSA:

Os cabos Bowden do amortecedor estão demasiado esticados.

SOLUÇÃO:

Ajuste os cabos Bowden no parafuso de ajustamento (1)



Proteja o cabo Bowden contra danos (deformação). Caso esteja deformado, deve ser substituído.

Eliminação / Reciclagem de materiais

NOTA: Se receber a cadeira de rodas sem encargos, ela não lhe pertence. Se já não for necessário respeitar quaisquer instruções emitidas pela organização que forneceu a cadeira de rodas para que a possa devolver.

A seguinte informação descreve os materiais usados na cadeira de rodas em relação à eliminação ou reciclagem da cadeira de rodas e da respetiva caixa. Normas específicas de eliminação de desperdícios ou de reciclagem podem ser aplicáveis a nível local e estas devem ser tidas em conta quando fizer os preparativos para eliminação. (Isto pode incluir a limpeza ou descontaminação da cadeira de rodas antes de eliminar).

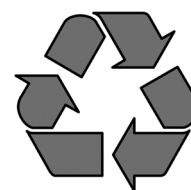
Aço: Dispositivos de aperto, Eixo QR, estruturas laterais, apoios de braços, estrutura, apoios de pernas, pegas.

Plástico: Manípulos de mão, forquetas, tampas, rodas giratórias, apoios de pés, almofadas dos braços e rodas/pneus de 12", rodas, proteções laterais.

Embalagem: Saco de polietileno de baixa densidade, caixa de cartão

Estofos: Poliéster tecido com cobertura PVC e espuma modificação de combustão expandida.

A eliminação ou reciclagem deve ser feita através de um fornecedor autorizado ou local adequado próprio. Alternativamente, a sua cadeira de rodas pode ser devolvida ao fornecedor para eliminação.



Prefazione

Gentile Cliente,

ci congratuliamo con Voi per aver scelto un prodotto SUNRISE MEDICAL di alta qualità.

Questo manuale per l'uso contiene numerosi suggerimenti ed indicazioni che serviranno a rendere più familiare ed affidabile la Vostra carrozzina.

Il concetto di "vicinanza al cliente" è di grande importanza per Sunrise Medical. Desideriamo tenerVi al corrente sulle novità e gli sviluppi futuri della nostra azienda. Essere vicini ai clienti significa offrire servizi rapidi, ridurre il più possibile le pratiche burocratiche, collaborare con il cliente. Se un cliente ha bisogno di accessori o parti di ricambio, oppure ha un dubbio sulla sua carrozzina, noi siamo qui per offrire assistenza.

Desideriamo che siate soddisfatti dei nostri prodotti e dell'assistenza ricevuta. Sunrise Medical è costantemente impegnata a sviluppare ulteriormente i suoi prodotti. È quindi possibile che vengano apportate modifiche ai prodotti proposti e ai relativi modelli per quanto riguarda la forma, la tecnologia e l'equipaggiamento. Per questa ragione, eventuali reclami basati sui dati e sulle figure presenti in questo manuale d'uso non saranno accettati.

Il sistema di gestione di SUNRISE MEDICAL è certificato secondo gli standard DIN EN ISO 9001, ISO 13485 e ISO 14001.

CE In quanto fabbricante, SUNRISE MEDICAL dichiara che le carrozzine superleggere sono conformi a quanto previsto dal Regolamento Dispositivi medici (2017/745).

NOTA:

Avvertenza generale per l'utente.

La mancata osservanza di queste istruzioni potrebbe causare lesioni fisiche, danneggiare il prodotto o l'ambiente!

In caso di incidente grave all'utente e/o al paziente riconducibile all'uso di questo dispositivo si deve inviare una comunicazione al fabbricante e alle Autorità competenti dello Stato membro di residenza dell'utente e/o del paziente.

Personalizzazioni B4Me

Per garantire il corretto funzionamento del prodotto personalizzato B4Me, Sunrise Medical raccomanda vivamente di leggere con attenzione, prima del primo utilizzo, tutte le istruzioni ricevute con il prodotto B4Me.

Sunrise Medical raccomanda inoltre di conservare in modo sicuro le istruzioni ricevute, per eventuale riferimento futuro.

Combinazione di più dispositivi medici

Questo dispositivo medico può essere utilizzato in combinazione con altri dispositivi medici o altri prodotti. Informazioni sul possibile utilizzo di più dispositivi in combinazione sono disponibili sul sito www.Sunrisemedical.it. Tutte le combinazioni elencate sono state convalidate per soddisfare i Requisiti Generali di Sicurezza e Prestazioni, Allegato I No. 14.1 del Regolamento Dispositivi Medici 2017/745.

Sul sito www.SunriseMedical.it sono disponibili le informazioni relative alle combinazioni possibili, come ad esempio le istruzioni per il montaggio.

Per qualsiasi domanda sull'uso, la manutenzione o la sicurezza della Vostra carrozzina Vi preghiamo di rivolgerVi al rivenditore autorizzato di prodotti SUNRISE MEDICAL della Vostra zona.

Se nella Vostra zona non è presente un rivenditore autorizzato, oppure se avete domande, potete contattare Sunrise Medical.

Sunrise Medical S.r.l.

Via Riva, 20 - Montale

29122

Piacenza

Italia

Tel: +39 0523 573111

Fax: +39 0523 570060

www.SunriseMedical.it



IMPORTANTE:

PRIMA DI UTILIZZARE LA CARROZZINA, LEGGERE ATTENTAMENTE IL PRESENTE MANUALE.

Utilizzo

Le carrozzine sono destinate esclusivamente all'uso personale da parte di utenti non in grado di camminare o con mobilità limitata, spinte dall'utente stesso o da un accompagnatore, all'interno e all'esterno.

La portata massima (rappresentata dal peso dell'utente più il peso di eventuali accessori montati sulla carrozzina e di oggetti trasportati dall'utente) è indicata sull'etichetta del numero di serie, situata sulla crociera o sulla barra stabilizzatrice sotto la seduta.

La garanzia è valida soltanto se il prodotto viene impiegato alle condizioni prescritte e secondo le destinazioni d'uso specifiche. La durata prevista della carrozzina è 5 anni. NON montare componenti NON STANDARD che non siano stati approvati ufficialmente da Sunrise Medical.

Area di applicazione.

Indicazioni

La varietà dell'equipaggiamento e la struttura modulare consentono l'impiego di questo prodotto da parte di utenti non in grado di camminare o con mobilità limitata a causa di:

- Paralisi
- Perdita di uno o di entrambi gli arti inferiori (amputazione)
- Difetti/Deformità degli arti inferiori
- Contratture/Danni articolari
- Malattie di tipo cardiaco o circolatorio, disturbi dell'equilibrio o cachessia, patologie neurologiche, distrofia muscolare, emiplegia. È adatta anche per persone più anziane con forza sufficiente nella parte superiore del corpo.

Controindicazioni

Usare la carrozzina SOLO IN PRESENZA DI UN ASSISTENTE in caso di:

- Disfunzioni percettive
- Disfunzioni dell'equilibrio
- Perdita di entrambe le braccia, se non già assistiti un accompagnatore
- Contratture o lesioni articolari su entrambe le braccia
- Gravi problemi posturali




Per la scelta del modello, occorre anche considerare la statura e il peso corporeo, le condizioni psicofisiche, l'età dell'utente e l'ambiente in cui vive.

Sommario

Sommario	116
Note generali sulla sicurezza e limitazioni di guida	117
Garanzia	119
Trasporto	120
Uso	122
Opzioni – Salicordoli	122
Opzioni – Freni	122
Opzioni - Pedane	123
Opzioni - Supporto per amputati	124
Opzioni - Pedana elevabile	124
Opzioni - Ruote anteriori	124
Opzioni - Ruota anteriore, adattatore	125
Opzioni - Schienale	125
Opzioni – Spondine	126
Opzioni – Bracciolo per emiplegico	126
Opzioni – Ruotine antiribaltamento	126
Opzioni – Cintura pelvica	127
Opzioni - Sedile	128
Opzioni - Cuneo per abduzione	129
Opzioni – Maniglie di spinta	129
Opzioni – Appoggiatesta	129
Opzioni - Tavolino	129
Targhetta di identificazione	130
Controlli quotidiani	130
Pneumatici e loro montaggio	131
Manutenzione e cura	131
Risoluzione dei problemi	132
Smaltimento / Riciclaggio dei materiali	132

Definizioni

3.1 Definizione dei termini usati in questo manuale

Termine	Definizione
 ATTENZIONE!	Informa l'utilizzatore di possibili rischi di gravi lesioni o di decesso nel caso in cui la raccomandazione non venga seguita
 AVVERTENZA!	Informa l'utilizzatore di possibili rischi nel caso in cui la raccomandazione non venga seguita
 ATTENZIONE!	Informa l'utilizzatore dei possibili rischi all'apparecchiatura nel caso in cui la raccomandazione non venga seguita
NOTA:	Raccomandazione generale o procedura consigliata
	Riferimento a documentazione supplementare

NOTA:

È possibile che le carrozzine illustrate e descritte nel presente manuale differiscano leggermente dal modello acquistato. Tuttavia, tutte le istruzioni sono pertinenti, a prescindere dalle differenze nei dettagli.

Il produttore si riserva il diritto di alterare senza preavviso i pesi, le misure e altri dati tecnici riportati nel presente manuale. Tutti i numeri, le misure e le capacità riportati nel presente manuale sono approssimativi e non costituiscono delle specifiche.

NOTA:

Si prega di scrivere l'indirizzo e il numero di telefono del rivenditore autorizzato nello spazio apposito.

In caso di guasto rivolgersi immediatamente al tecnico autorizzato fornendo tutti i dettagli pertinenti in modo che vi possa aiutare rapidamente.

Firma e timbro del rivenditore

Note generali sulla sicurezza e limitazioni di guida

La carrozzina è stata progettata e costruita per garantire la massima sicurezza dell'utente. Tutte le norme sulla sicurezza vigenti a livello internazionale vengono strettamente osservate se non addirittura superate.

Ciononostante l'utente può trovarsi in situazioni di pericolo se la carrozzina viene utilizzata in modo non appropriato. Per garantire la sicurezza dell'utente, è assolutamente necessario rispettare le seguenti regole.

Modifiche o regolazioni eseguite in modo errato o da personale non autorizzato aumentano il rischio di incidenti. Quali utenti di una carrozzina, l'utente prende parte alla circolazione stradale. Per questo motivo desideriamo ricordare che l'utente ha l'obbligo di rispettare le regole vigenti sulla circolazione stradale. Durante il primo utilizzo, prestare moltissima attenzione. Familiarizzare con la nuova carrozzina.

Prima di ogni spostamento, effettuare controlli sulle parti seguenti:

- Assi fissi o ad estrazione rapida delle ruote posteriori
- Velcro sulla superficie del sedile e sullo schienale
- Copertoni, pressione degli pneumatici e freni.

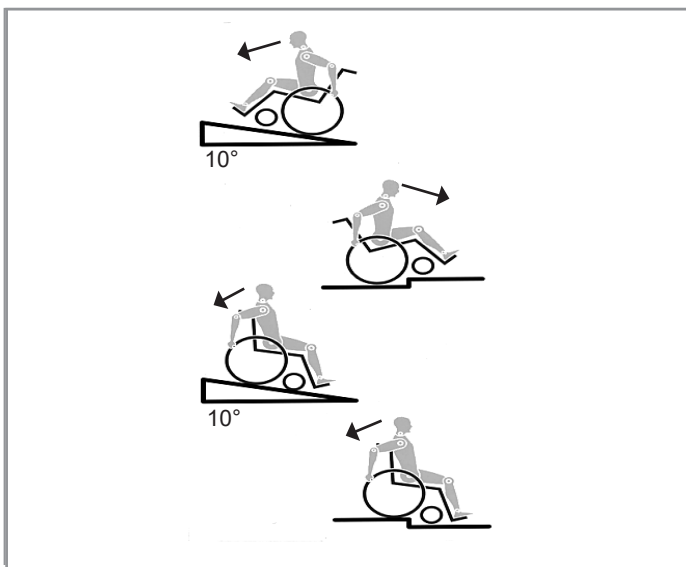
Prima di procedere ad una qualsiasi modifica delle regolazioni, è importante leggere il relativo capitolo del manuale d'uso.

È possibile che durante percorsi in salita o in discesa la carrozzina possa correre il rischio di ribaltarsi a causa di buche nel terreno o di un fondo irregolare. Per salire avanti su un gradino o percorrere una salita, consigliamo di piegare il corpo in avanti.

⚠ATTENZIONE!

- L'utente e gli oggetti eventualmente trasportati sulla carrozzina non devono MAI superare la portata massima di 145 kg (XL = 170 kg). Se si supera la portata massima, la carrozzina può danneggiarsi oppure l'utente può cadere, ribaltarsi o perdere il controllo e causare così lesioni gravi a se stesso o ad altre persone.
- In condizioni di oscurità, si raccomanda di indossare indumenti chiari o con applicazioni riflettenti per essere meglio visibili. Controllare che i catarifrangenti applicati sui lati e sul retro della carrozzina siano ben visibili.
- Si raccomanda anche di montare un fanale.
- Per evitare cadute e situazioni pericolose, esercitarsi inizialmente su un terreno pianeggiante con buona visibilità.
- Non utilizzare l'appoggiapiedi per salire o scendere dalla carrozzina.
- Prima dell'operazione, ribaltare la pedana e ruotarla il più possibile verso l'esterno. Mettersi sempre il più vicino possibile al luogo dove ci si vuole sedere.
- Utilizzare la carrozzina sempre con attenzione. Ad esempio, non cercare di superare un ostacolo (uno scalino o il bordo di un marciapiede) senza frenare ed evitare le buche.

- I freni non sono stati progettati per rallentare la carrozzina. Essi assicurano che le ruote della carrozzina non si muovano in modo inaspettato quando la carrozzina è ferma. Se ci si ferma su una superficie irregolare, azionare sempre i freni per evitare il movimento non desiderato della carrozzina. Azionare sempre entrambi i freni al fine di evitare il ribaltamento della carrozzina.
- Se viene modificato il centro di gravità, osservare con attenzione come si comporta la carrozzina, ad esempio su pendii, superfici inclinate, pendenze di ogni tipo o quando si superano degli ostacoli. Durante questa operazione, chiedere l'aiuto di un assistente.
- In caso di regolazioni estreme (ad es. se la carrozzina è regolata con le ruote posteriori molto in avanti) e l'utente ha una postura errata, la carrozzina può ribaltarsi anche su una superficie piana.
- Inclinare il tronco in avanti se si sta percorrendo una salita o si deve salire un gradino.
- Sporgere il tronco all'indietro se si sta percorrendo una discesa o si deve scendere da un gradino. Non tentare di salire o scendere diagonalmente.
- Evitare l'uso delle scale mobili, in quanto si potrebbero subire lesioni gravi in caso di caduta.
- Non usare la carrozzina su pendii > 10°. La pendenza superabile in movimento dipende dalla configurazione della carrozzina, dalle capacità dell'utente e dallo stile di guida. Dal momento che non è possibile conoscere in anticipo le capacità dell'utente e il suo stile di guida, la pendenza superabile massima è un parametro che non può essere definito in anticipo e deve pertanto essere determinata dall'utente con l'aiuto di un accompagnatore per evitare di cadere. Si raccomanda agli utenti inesperti di montare le ruotine antiribaltamento.
- È possibile che durante percorsi in salita o in discesa la carrozzina possa correre il rischio di ribaltarsi a causa di buche nel terreno o di un fondo irregolare.
- Non usare la carrozzina su terreni fangosi o ghiacciati.
- Non usare la carrozzina in aree vietate ai pedoni.
- Per evitare lesioni alle mani non infilare le dita tra i raggi o tra la ruota posteriore e il freno durante la guida.
- In particolare, quando si utilizzano corrimani in metallo leggero, le dita si surriscaldano facilmente se si frena ad una velocità elevata o su lunghe discese.
- Per salire le scale, chiedere assistenza. Utilizzare gli ausili eventualmente disponibili, ad esempio rampe o ascensori. Se questi ausili non sono disponibili, la carrozzina deve essere inclinata e spinta (mai sollevata) lungo la scala da due persone. Si raccomanda agli utenti di peso superiore ai 100 kg di evitare questa manovra di trasferimento. Se sulla carrozzina sono montate le ruotine antiribaltamento assicurarsi che siano regolate in modo che non urtino contro i gradini per evitare cadute. Dopo la manovra riposizionare le ruotine in modo corretto.



ATTENZIONE!

- Assicurarsi che l'accompagnatore tenga la carrozzina utilizzando solo le parti ben fissate. Non usare parti rimovibili (p. es. gli appoggiapiedi o le spondine)
- Quando si utilizza una rampa, assicurarsi che le ruotine antiribaltamento siano posizionate in modo da non essere di intralcio.
- Su terreni impervi o in fase di trasferimento, ad esempio in auto, azionare i freni per bloccare la carrozzina.
- Quando si utilizza una rampa, assicurarsi che le ruotine antiribaltamento siano posizionate in modo da non essere di intralcio.
- Su terreni impervi o in fase di trasferimento, ad esempio in auto, azionare i freni per bloccare la carrozzina.
- Se e quando possibile, durante il trasporto in un veicolo adeguato per il trasporto di disabili, usare il sedile e il sistema di ritenuta del veicolo. Questo è il solo modo per garantire la massima sicurezza dell'utente in caso di incidente.
- A seconda del diametro e della regolazione delle ruote anteriori nonché del centro di gravità, le ruote anteriori possono vibrare a velocità elevate e quindi bloccarsi causando il ribaltamento della carrozzina. Assicurarsi pertanto che le ruote anteriori siano regolate correttamente (vedere la sezione "Ruote anteriori").
- Gli utenti inesperti devono utilizzare le ruotine antiribaltamento.
- Le ruotine antiribaltamento impediscono alla carrozzina di ribaltarsi accidentalmente all'indietro. Non utilizzarle mai al posto delle ruote da transito o per trasportare un utente in carrozzina senza le ruote posteriori.
- Per raccogliere oggetti situati davanti, di lato o dietro la carrozzina, non sporgersi troppo dalla carrozzina perché se si cambia il centro di gravità si rischia di cadere o ribaltarsi. Il peso supplementare di uno zaino o altri oggetti appesi ai tubi dello schienale può influire sulla stabilità della carrozzina nella parte posteriore, specialmente quando si usa uno schienale reclinabile. Questo può causare il ribaltamento all'indietro della carrozzina con conseguente rischio di lesioni.
- Per gli utenti con amputazione sopra il ginocchio utilizzare le ruotine antiribaltamento.
- Prima di partire, controllare la pressione degli pneumatici. La pressione delle ruote posteriori deve essere almeno 3,5 bar (350 kPa). La pressione massima è riportata sugli pneumatici. La leva del freno funziona solo con una pressione degli pneumatici adeguata e una corretta regolazione (vedere il capitolo "Freni").
- Se il rivestimento della seduta o dello schienale risultasse danneggiato, sostituirlo immediatamente.
- Fare attenzione ad evitare il contatto con il fuoco, in particolare con le sigarette. I rivestimenti della seduta e dello schienale potrebbero incendiarsi.
- Se la carrozzina viene esposta alla luce diretta del sole o a basse temperature per un lungo periodo di tempo, alcune parti (per es., il telaio, le pedane, i freni e le protezioni laterali) potrebbero diventare eccessivamente calde (>41 °C) o particolarmente fredde (<0 °C).
- Controllare sempre che gli assi ad estrazione rapida sulle ruote posteriori, se presenti, siano montati correttamente e bloccati (i cuscinetti a sfera bloccanti devono essere visibili completamente attraverso il manicotto dell'asse). Se il pulsante dell'asse ad estrazione rapida non viene premuto, la ruota posteriore non può essere rimossa.

ATTENZIONE!

- L'efficienza dei freni, come anche la tenuta generale su strada, dipende dalla pressione degli pneumatici. La carrozzina si manovra molto meglio e più facilmente quando le ruote posteriori sono gonfiate correttamente, entrambe alla stessa pressione.
- Controllare lo stato dei battistrada degli pneumatici!
- Quando si circola su strade pubbliche, si deve rispettare il codice di circolazione stradale.
- Fare sempre attenzione quando si utilizza o si regola la carrozzina!
- Le regolazioni che richiedono l'uso di utensili devono essere sempre eseguite da un tecnico autorizzato.
- Pulire la carrozzina regolarmente per evitare la formazione di ruggine e la corrosione salina.
- Assicurarsi che i rivetti, i dadi e i bulloni siano ben stretti e che i componenti della carrozzina non rischiano di staccarsi.
- Fare attenzione a non rimanere intrappolati con le dita nelle parti mobili. Maneggiare con cura.
- I prodotti illustrati e descritti nel presente manuale possono essere leggermente diversi nei dettagli dal modello in vostro possesso. Tuttavia tutte le istruzioni sono pertinenti, a prescindere dalle differenze nei dettagli.
- Il produttore si riserva il diritto di modificare senza preavviso i pesi, le misure e altri dati tecnici riportati nel presente manuale. Tutti i numeri, le misure e le capacità riportati nel presente manuale sono approssimativi e non costituiscono delle specifiche.

ATTENZIONE!

PERICOLO DI SOFFOCAMENTO – Questo ausilio per la mobilità contiene piccole parti che in certe circostanze possono costituire un rischio di soffocamento per i bambini piccoli.

DURATA

La durata prevista di questo prodotto è 5 anni, sempre che: Venga usato nel rigido rispetto dell'uso al quale è destinato vengano soddisfatti tutti i requisiti di assistenza e manutenzione previsti.

GARANZIA**QUESTO NON HA ALCUN EFFETTO SUI VOSTRI DIRITTI LEGALI.**

Sunrise Medical* garantisce i propri prodotti secondo i termini di legge.

Condizioni della garanzia

1. Se fosse necessario riparare o sostituire una o più parti della carrozzina entro il periodo di validità della garanzia, come risultato di uno specifico difetto di fabbricazione e/o di materiale, la parte o le parti interessate saranno riparate o sostituite gratuitamente. (Le batterie sono coperte da garanzia per un periodo di 12 mesi a condizione che siano state seguite correttamente le istruzioni di manutenzione)
2. Per far valere la garanzia, contattare il rivenditore Sunrise Medical indicando i dettagli esatti della natura del problema. Nel caso in cui l'utente si trovi in una località lontana dalla sede del tecnico autorizzato Sunrise Medical, la riparazione o la sostituzione richiesta potrà essere eseguita da un altro tecnico designato dal produttore. La carrozzina deve sempre essere riparata da un tecnico autorizzato da Sunrise Medical.
3. Per le parti riparate o sostituite nell'ambito di questa garanzia, verrà fornita una garanzia conforme alle condizioni della presente garanzia per il periodo di garanzia rimanente per la carrozzina.
4. Per le parti di ricambio originali montate sulla carrozzina a spese del cliente vale una garanzia di 12 mesi (a partire dall'installazione), conformemente alle presenti condizioni di garanzia.
5. Le parti soggette a usura come imbottiture, pneumatici, camere d'aria e parti simili non saranno coperte dalla garanzia a meno che non presentino segni di logorio precoce dovuto direttamente a un difetto di fabbricazione.
6. Ai sensi di questa garanzia non saranno accettati reclami qualora una riparazione o la sostituzione di una carrozzina o di una sua parte venga richiesta per i seguenti motivi:
 - a) Il prodotto o una sua parte non sia stato riparato o revisionato in base alle indicazioni del produttore, come indicato nel manuale d'uso e/o nel manuale di manutenzione.
 - b) Non siano state usate solo parti originali.
 - c) Il prodotto, o parte di esso, siano stati danneggiati per negligenza, incidente o uso improprio.
 - d) Al prodotto o ad una sua parte siano stati apportati cambiamenti o modifiche non in accordo con quanto previsto dalle specifiche del produttore.
 - e) Le riparazioni sono state eseguite prima di informare il rivenditore autorizzato Sunrise Medical delle circostanze.
7. Questa garanzia è soggetta alla legislazione del paese in cui è stato acquistato il prodotto Sunrise Medical“

* Indica lo stabilimento Sunrise Medical presso cui è stato acquistato il prodotto.

Trasporto

ATTENZIONE!

Il rischio di gravi lesioni o di decesso aumenta pericolosamente se questa raccomandazione viene ignorata.

Trasporto della carrozzina su un veicolo:

Una carrozzina fissata su un veicolo non fornisce lo stesso livello di protezione e sicurezza del sedile del veicolo stesso. Si raccomanda di utilizzare sempre per l'utente il sedile del veicolo. Poiché non è sempre possibile trasferire l'utente sul sedile del veicolo, qualora sia necessario trasportare l'utente seduto in carrozzina, attenersi alle istruzioni seguenti:

1. Verificare che il veicolo sia dotato dell'equipaggiamento adatto per il trasporto di un passeggero seduto in carrozzina ed assicurarsi che le modalità di accesso al veicolo siano idonee al tipo di carrozzina. Il pianale del veicolo deve avere la resistenza necessaria per sostenere il peso complessivo dell'utente, della carrozzina e degli accessori.
2. Attorno alla carrozzina deve essere disponibile uno spazio sufficiente per consentire un facile accesso per agganciare, stringere e sganciare le cinghie di ancoraggio della carrozzina e le cinghie di ritenuta per l'utente.
3. La carrozzina occupata deve essere rivolta in avanti e fissata con la cinghia di ancoraggio della carrozzina e le cinghie di ritenuta per l'utente (sistemi WTORS che soddisfano i requisiti dello standard ISO 10542 o SAE J2249) in conformità alle istruzioni del produttore dei WTORS.
4. L'utilizzo della carrozzina in altre posizioni all'interno di un veicolo non è stato testato. Ad esempio, non trasportare mai la carrozzina rivolta lateralmente (Fig. A).

5. La carrozzina deve essere fissata con un sistema di ritenuta ad ancoraggio a norma ISO 10542 o SAE J2249 con cinghie anteriori non regolabili e cinghie posteriori regolabili dotate generalmente di fermi Karabiner/ganci a S e supporti di fissaggio con fibbia e linguetta. Questi sistemi di ritenuta comprendono normalmente 4 cinghie separate da agganciare ciascuna ad un angolo della carrozzina.

6. Le cinghie di ancoraggio devono essere fissate al telaio centrale della carrozzina, così come illustrato nella figura di pagina seguente, e non ad altri elementi o accessori, per es., ai raggi delle ruote, ai freni o agli appoggiatesta.

7. Agganciare le cinghie di ancoraggio in modo che l'inclinazione sia il più vicino possibile a un angolo di 45° e stringerle bene seguendo le istruzioni del fabbricante.

8. Non effettuare alterazioni o sostituzioni dei punti di fissaggio o della struttura, del telaio o dei componenti della carrozzina senza consultare il fabbricante. La mancata osservanza di questa avvertenza farà sì che la carrozzina Sunrise Medical non sia più considerata idonea al trasporto su un veicolo a motore.

9. Usare sia la cintura pelvica sia la cintura toracica per assicurare l'utente e ridurre la possibilità di impatto della testa e del torace con i componenti del veicolo e il conseguente grave rischio di lesioni all'utente e agli altri occupanti del veicolo. (Fig. B) La cintura toracica deve essere fissata al montante "B" del veicolo; la mancata osservanza di questa istruzione può aumentare il rischio di gravi lesioni addominali all'utente.

10. Installare un appoggiatesta idoneo per il trasporto (si veda l'etichetta sull'appoggiatesta) e posizionarlo sempre adeguatamente durante il trasporto.

11. Non utilizzare come sistemi di ritenuta in un veicolo in movimento supporti posturali per l'utente (cinghie pelviche, cinture pelviche) che non siano etichettati a norma dei requisiti specificati nello standard ISO 7176-19:2001 o SAE J2249.

12. La sicurezza dell'utente durante il trasporto dipende dall'accuratezza impiegata nell'assicurare le cinghie di ancoraggio. Questa operazione deve essere eseguita da persone che abbiano ricevuto adeguate istruzioni e/o addestramento per l'uso.

Fig.A

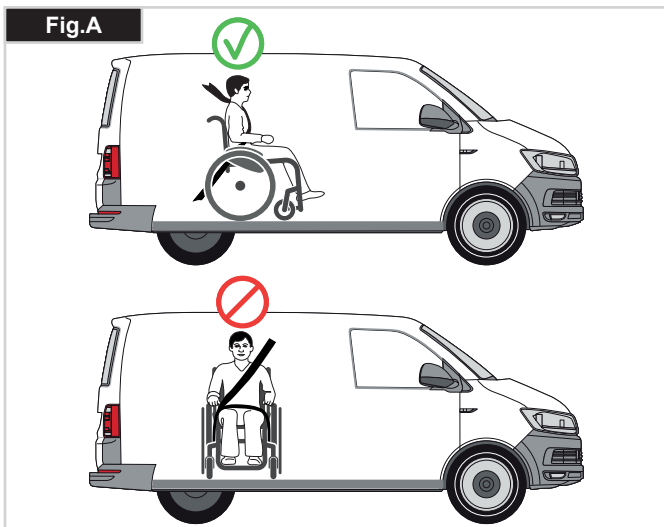


Fig.B



Trasporto

13. Quando possibile, rimuovere e riporre tutta l'attrezzatura ausiliaria della carrozzina, per esempio: portastampelle, cuscini e tavolini.
14. La pedana articolata/elevabile non deve essere usata in posizione elevata durante il trasporto di carrozzina e utente, con la carrozzina fissata mediante i sistemi di ritenuta idonei.
15. Se lo schienale è reclinato, riportarlo in posizione verticale.
16. Azionare i freni.
17. Fissare i sistemi di ritenuta al montante "B" del veicolo e assicurarsi che tra le cinture e il corpo non vi siano componenti della carrozzina, come braccioli o ruote.

ISTRUZIONI PER L'APPLICAZIONE DEI SISTEMI DI RITENUTA:

1. Indossare la cintura pelvica bene in basso, contro il bacino, in modo che l'angolo in inclinazione sia compreso tra 30 e 75 gradi rispetto al piano orizzontale. Si consiglia di regolare la cintura in modo che l'angolo sia il più vicino possibile a 75 gradi, ma non li superi. (Fig. C)
2. Far passare la cintura toracica sopra la spalla e lungo il torace come illustrato nelle Figure D ed E. Stringere le cinture di ritenuta il più possibile, assicurando al contempo il comfort dell'utente. Assicurarsi che le cinture di ritenuta non si attorciglino durante l'uso. Far passare la cintura di ritenuta della parte superiore del tronco sopra la spalla e lungo il torace come illustrato nelle Figure D ed E.

3. I punti di attacco alla carrozzina sono la parte laterale anteriore interna, appena sopra la ruota anteriore, e la parte laterale posteriore del telaio. Le cinghie sono fissate intorno alle parti laterali del telaio, nel punto di intersezione tra i tubi orizzontali e verticali. (Vedere Figg. G-H).

4. Il simbolo di ancoraggio (Fig. F) sul telaio della carrozzina indica la posizione delle cinghie per il fissaggio della carrozzina. Le cinghie posteriori devono essere messe in tensione dopo avere fissato le cinghie anteriori per fissare la carrozzina.

POSIZIONAMENTO DELLE CINGHIE DI ANCORAGGIO SULLA CARROZZINA:

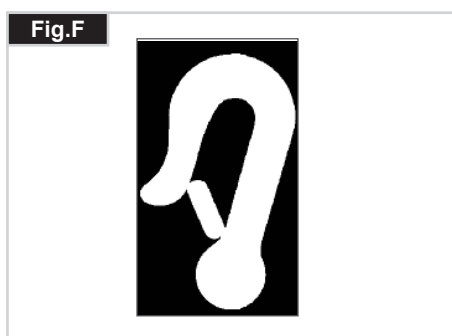
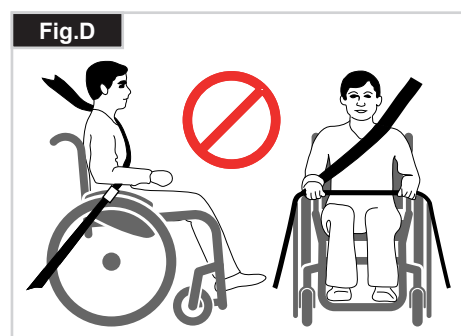
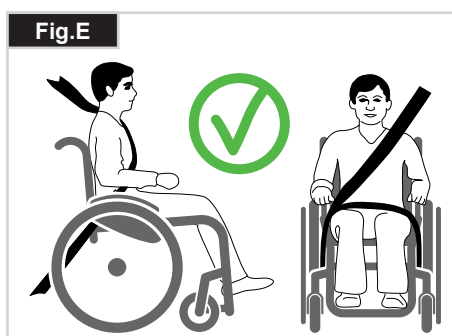
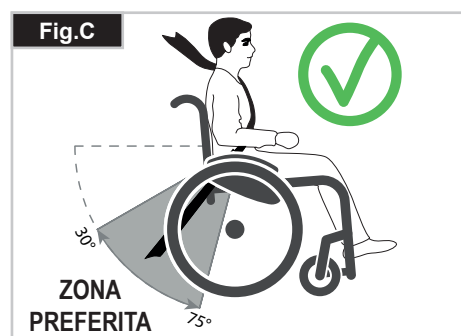
1. Posizione delle cinghie di ancoraggio anteriore (Fig. G) e posteriore (Fig. H) e dell'etichetta di ancoraggio sulla carrozzina.

UTENTE DI PESO INFERIORE A 22 KG

Qualora l'utente da trasportare sia un bambino di peso inferiore a 22 Kg e il veicolo impiegato abbia meno di otto (8) posti passeggero, si raccomanda l'uso di un sistema di ritenuta per bambini (SRB) conforme al Regolamento n. 44 dell'UNECE. Questo tipo di sistema di ritenuta fornisce un ancoraggio più efficace per l'occupante rispetto al sistema convenzionale a 3 punti; inoltre, alcuni sistemi SRB prevedono anche supporti posturali per aiutare a mantenere il bambino in posizione corretta quando è seduto.

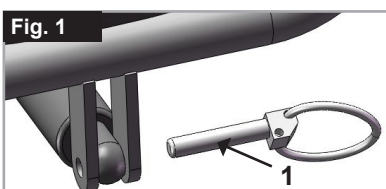
In alcune circostanze, genitori o assistenti potrebbero decidere di lasciare il bambino sulla carrozzina durante il trasporto, grazie al livello di controllo della postura e al comfort garantito dall'assetto della carrozzina.

In queste circostanze, si raccomanda di fare effettuare una valutazione dei rischi da parte dell'assistente sanitario o di altre persone competenti.

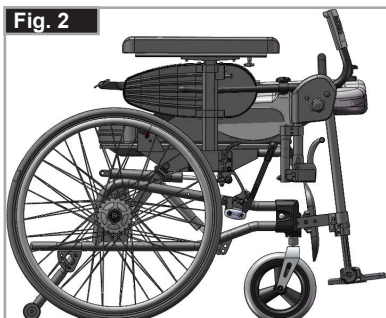


Uso**CHIUSURA**

Lo schienale può essere ribaltato in avanti per facilitare il trasporto della carrozzina. Fissare lo schienale in modo che non possa cadere accidentalmente, rimuovere la copiglia (1) e piegare lo schienale in avanti.



Per una chiusura più compatta, è possibile rimuovere il cuscino del sedile e il guscio dello schienale.

**⚠️ AVVERTENZA!**

Rischio di lesioni - fissare o tenere fermo lo schienale prima di sbloccarlo.

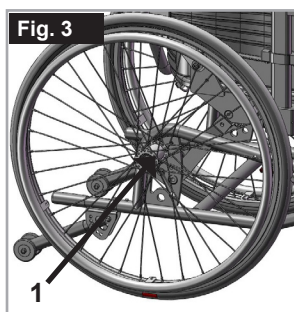
Per riportare lo schienale in posizione verticale, aprirlo e inserire la copiglia.

⚠️ ATTENZIONE!

- Rischio di lesioni – controllare che lo schienale sia fissato correttamente!
- Assicurarsi che il guscio dello schienale sia inserito correttamente.

ASSI AD ESTRAZIONE RAPIDA DELLE RUOTE POSTERIORI

Le ruote posteriori sono dotate di assi ad estrazione rapida. Le ruote possono essere estratte o inserite senza l'uso di utensili. Per togliere una ruota basta premere il pulsante posizionato sul perno ad estrazione rapida (1) ed estrarla (Fig. 3).

**⚠️ ATTENZIONE!**

Per montare le ruote posteriori, l'inserimento dell'asse ad estrazione rapida nel telaio deve avvenire premendo e tenendo premuto il relativo pulsante. Rilasciando il pulsante la ruota sarà ben inserita all'interno del suo supporto. Il pulsante di estrazione rapida deve ritornare nella posizione iniziale.

COME SEDERSI DA SOLI IN CARROZZINA

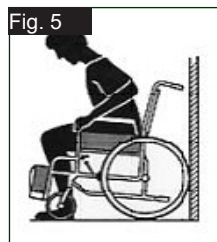
(Fig. 4)

- Spingere la carrozzina contro una parete o un mobile ben solido;
- Le ruote devono essere bloccate;
- Accertarsi che la pedana sia sollevata;
- Quindi sedersi in carrozzina;
- Abbassare la pedana ed appoggiare i piedi davanti alle cinghie fermatallone.

**COME SCENDERE DA SOLI DALLA CARROZZINA**

(Fig. 5)

- Le ruote devono essere bloccate;
- La pedana dovrebbe essere sollevata;
- Con le mani appoggiate sui braccioli, piegarsi leggermente in avanti per spostare il peso del corpo verso la parte anteriore della seduta. Quindi appoggiare i piedi per terra, con uno dei due piedi bene indietro, ed alzarsi.

**⚠️ AVVERTENZA!**

- Mentre ci si alza, non appoggiarsi sugli appoggiatesta o la carrozzina potrebbe ribaltarsi. È più facile e più sicuro sedersi in carrozzina con gli appoggiatesta sollevati o staccati dalla carrozzina in modo che non siano di intralcio.
- Quando si trasferisce l'utente dalla, o nella, carrozzina, azionare sempre i freni.

Opzioni – Salicordoli**PEDANA PER RIBALTAMENTO**

La pedana per il ribaltamento della carrozzina è utilizzata dall'accompagnatore per il superamento di un ostacolo. Premere semplicemente con il piede sulla pedana e la carrozzina si solleva leggermente per salire, ad esempio, sul cordolo di un marciapiede (Fig. 6).

**⚠️ ATTENZIONE!**

Sunrise Medical raccomanda vivamente l'uso di una pedana per il ribaltamento su ogni modello con ruote da transito e anche su tutti i modelli gestiti in modo prevalente da un accompagnatore poiché se si utilizzano i montanti posteriori per inclinare la carrozzina si rischia di danneggiarli.

Opzioni – Freni**FRENI**

La carrozzina è dotata di due freni. I freni agiscono direttamente sugli pneumatici. Per bloccare la ruota, spostare in avanti entrambe le leve del freno sino al loro arresto. Per sbloccare la ruota, riportare le leve del freno nella posizione di partenza.

L'azione dei freni sarà ridotta in caso di:

- profilo consumato degli pneumatici;
- insufficiente pressione degli pneumatici
- pneumatici bagnati;
- freno regolato non correttamente.

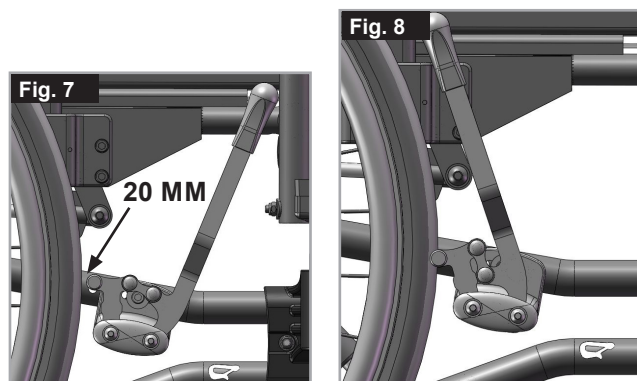
I freni non sono stati progettati per frenare la carrozzina in movimento. Non azionare mai i freni durante la guida. Frenare sempre aiutandosi con i corrimani. Verificare che la distanza tra il freno e lo pneumatico sia conforme alle specifiche. Per la regolazione, allentare la vite e regolare la distanza corretta. Avvitare di nuovo la vite (Fig. 7 - 8).

ATTENZIONE!

Dopo ogni modifica della posizione delle ruote posteriori, controllare la regolazione dei freni e se necessario provvedere nuovamente alla loro regolazione.

Se la prolunga della leva del freno viene montata troppo vicina alla ruota, potrebbe essere necessario uno sforzo molto maggiore per azionare il freno. La prolunga potrebbe quindi rompersi a causa della maggiore pressione esercitata.

Non appoggiarsi sulla prolunga del freno mentre si sale e si scende dalla carrozzina, per evitare che si rompa. Gli spruzzi d'acqua provenienti dalle ruote possono causare il malfunzionamento dei freni.



FRENI A TAMBURO

I freni a tamburo permettono all'accompagnatore di frenare in modo funzionale e sicuro.

Possono essere azionati con l'ausilio di una leva di blocco (1) per impedire qualsiasi spostamento indesiderato.

Lo scatto della leva di blocco deve essere ben udibile.

I freni a tamburo funzionano indipendentemente dalla pressione degli pneumatici (Fig. 9).



AVVERTENZA!

- I freni a tamburo devono essere regolati solamente da un rivenditore autorizzato.
- Per mantenere il controllo della carrozzina quando è in movimento agire sempre simultaneamente su entrambi i freni a tamburo!
- I freni a tamburo dovranno essere usati unicamente per arrestare la carrozzina in movimento.
- Per mantenere ferma la carrozzina per periodi di tempo brevi o lunghi, oppure durante il trasferimento dell'utente, attivare sempre i freni per il blocco delle ruote.

Opzioni - Pedane

PEDANE:

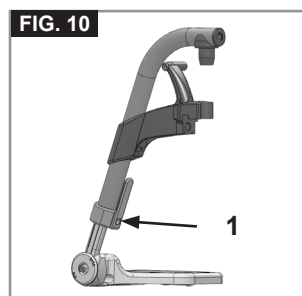
Le pedane possono essere sollevate per facilitare i trasferimenti nella carrozzina.

LUNGHEZZA DELLA PEDANA:

Per gli utenti con gambe lunghe abbassare la pedana all'altezza desiderata utilizzando le viti (1). Allentare le viti, sistemare i tubi nella posizione desiderata, quindi stringere le viti (vedere la sezione sulle coppie di serraggio). Devono esserci sempre almeno 3 cm tra l'appoggiapiedi e il terreno. (Fig. 10).

PEDANE E RELATIVO FERMO

Le pedane possono essere ruotate verso l'interno, sotto la seduta, o verso l'esterno. Quando si monta la pedana, assicurarsi che gli appoggiapiedi siano rivolti verso l'interno o verso l'esterno, quindi ruotarla verso l'interno fino a quando non si blocca in corrispondenza del bullone di bloccaggio. Per estrarla, tirare la leva (1), ruotare la pedana verso l'interno o verso l'esterno, quindi staccarla. Assicurarsi che la pedana sia correttamente bloccata in posizione, (Fig. 11).



ATTENZIONE!

- La pedana non deve essere usata per sollevare o trasportare la carrozzina.
- Non utilizzare l'appoggiapiedi per salire o scendere dalla carrozzina. Prima dell'operazione, ribaltare l'appoggiapiedi e ruotare la pedana il più possibile verso l'esterno.

Opzioni - Supporto per amputati

SUPPORTO PER AMPUTATI

(Fig. 12).

Il supporto per amputati può essere regolato in tutte le direzioni, a seconda delle esigenze.



ITALIANO

Opzioni - Pedana elevabile

PEDANA ELEVABILE

(Figg. 13-15)

Per estrarla, tirare la leva (1), ruotare la pedana verso l'esterno, quindi staccarla.

REGOLAZIONE DELL'ALTEZZA:

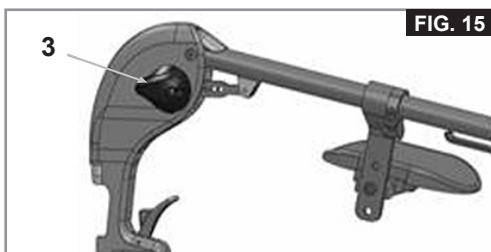
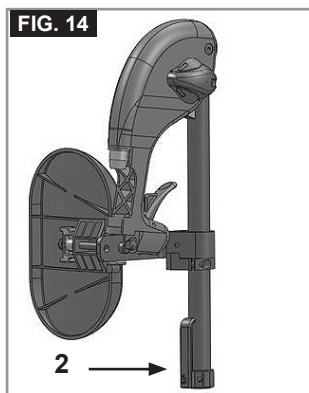
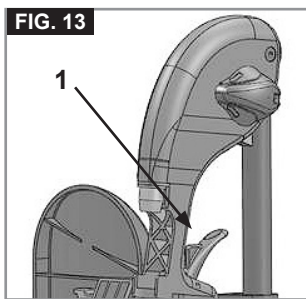
Allentando la vite (2) è possibile regolare la lunghezza della pedana con continuità. Regolare all'altezza desiderata e stringere la vite.

ATTENZIONE!

La distanza tra la pedana e il terreno deve essere di almeno 40 mm.

REGOLAZIONE DELL'ANGOLO:

Spingere la leva (3) verso il basso con una mano, sostenendo il peso dalla pedana con l'altra mano. Una volta raggiunto l'angolo desiderato, lasciare andare la leva per bloccare la pedana in una delle posizioni prestabilite.



REGOLAZIONE DELL'APPOGGIAPOLPACCI

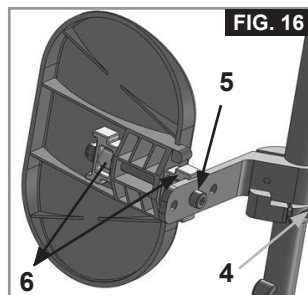
(Fig. 16).

L'appoggiapolpacci può essere regolato come segue.

Altezza: Svitare il bullone (4) e spostare il pezzo di bloccaggio nella posizione desiderata. Ruotando il pezzo di bloccaggio si può regolare anche l'angolazione.

Profondità: Svitare il bullone (5) e spostare l'appoggiapolpacci nella posizione desiderata.

Larghezza: Svitare il bullone (5) e spostare i distanziali (6) dietro l'appoggiapolpacci per raggiungere la posizione desiderata.



AVVERTENZA!

- Tenere le mani lontano del meccanismo di regolazione tra il telaio e le parti mobili della pedana mentre si alza o si abbassa la pedana.
- Assicurarsi che i dispositivi di fissaggio siano bloccati in posizione.
- Le pedane non devono essere usate per sollevare o trasportare la carrozzina.
- Fare attenzione a non schiacciarsi le dita! Quando si muove la pedana verso l'alto o verso il basso, non infilare le dita nel meccanismo di regolazione tra le parti mobili.

Opzioni - Ruote anteriori

RUOTE ANTERIORI, PIASTRA DI REGOLAZIONE DELLA RUOTA ANTERIORE, FORCELLA DELLA RUOTA ANTERIORE

È possibile che la carrozzina viri leggermente verso destra o sinistra o che sia presente una vibrazione delle ruote anteriori. I motivi possono essere i seguenti:

- Il movimento della ruota in avanti o all'indietro non è correttamente regolato
- La campanatura non è regolata correttamente.
- La pressione delle ruote posteriori e/o delle ruote anteriori non è corretta; le ruote non girano con facilità.
- Una regolazione adeguata delle ruote anteriori è la condizione essenziale per il movimento rettilineo della carrozzina.

AVVERTENZA!

- La regolazione delle ruote anteriori deve essere sempre eseguita da un tecnico autorizzato.
- Ogni volta che la posizione delle ruote posteriori viene modificata bisogna sempre regolare i freni nuovamente.

Opzioni - Ruota anteriore, adattatore

REGOLAZIONI DELL'ALTEZZA DELLA SEDUTA:

L'altezza della seduta è determinata dalla posizione delle ruote anteriori e posteriori. L'altezza della seduta può essere regolata utilizzando ruote posteriori di misura differente, modificando la posizione delle ruote posteriori e anteriori ed inserendo dei distanziali.

⚠ATTENZIONE!

- Dopo avere regolato l'altezza della seduta, stringere tutte le viti.
- La campanatura deve essere impostata a 90°.
- Pertanto, l'altezza del sedile davanti e dietro deve essere sempre la stessa.

Opzioni - Schienale

SCHIENALE COMFORT

(Figg. 17 a 19).

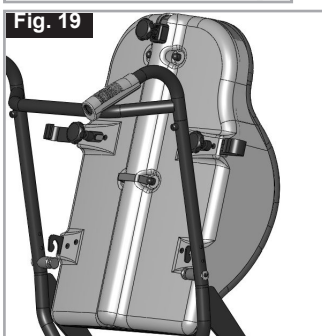
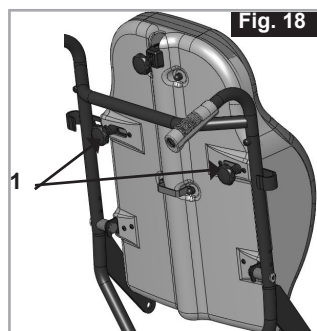
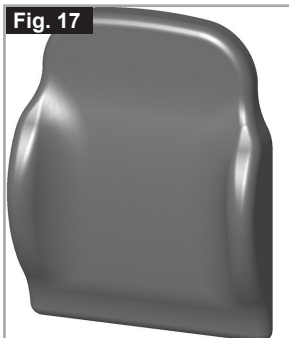
Lo schienale comfort con supporto laterale consente di stare seduti comodamente e a lungo.

Il guscio dello schienale può essere rimosso svitando le manopole (1) e spingendole verso l'esterno. Muovendolo in avanti e verso l'alto, il guscio dello schienale verrà sbloccato dai ganci di posizionamento.

Il cuscino, anch'esso rimovibile, è fissato con il velcro.

⚠AVVERTENZA!

Quando si monta lo schienale, controllare che il guscio sia attaccato correttamente ai ganci di posizionamento e bloccato in modo sicuro.



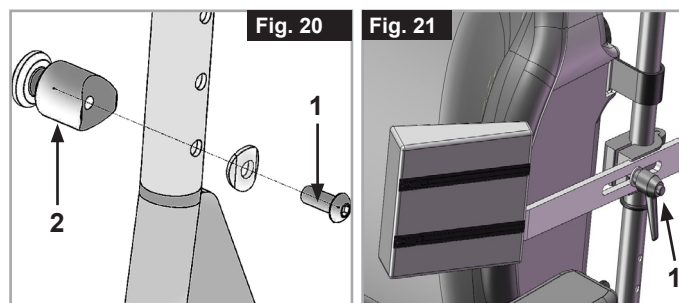
Opzioni - Schienale

SCHIENALE REGOLABILE IN ALTEZZA

L'altezza dello schienale può essere impostata in 4 posizioni differenti. Allentare e rimuovere i bulloni (1) e spostare i ganci di posizionamento (2) nella posizione desiderata. Stringere i bulloni, (Fig. 20).

SUPPORTO PER IL TRONCO

Il supporto per il tronco può essere regolato in angolazione, profondità e altezza. Può essere ribaltato ruotando la leva di rilascio (1). (Fig. 21)



SCHIENALE RECLINABILE (0° - 35°)

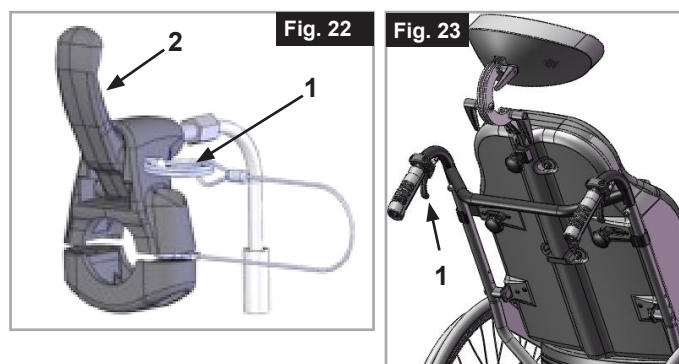
⚠ATTENZIONE!

Prima di cominciare, rimuovere il perno di bloccaggio (1), (Fig. 22).

Tirando la leva (2), lo schienale può essere sbloccato e spostato nella posizione desiderata. Quando si rilascia la leva (1) lo schienale si blocca automaticamente in posizione (Fig. 23).

⚠AVVERTENZA!

- Si raccomanda di abbinare allo schienale reclinabile le routine antibaltamento (distanza massima da terra: 3-5 cm).
- Non regolare mai l'angolo dello schienale quando la carrozzina si trova su un pendio.
- Assicurarsi che il perno di bloccaggio sia reinserito in posizione.



Opzioni – Spondine

BRACCIOLI REGOLABILI IN ALTEZZA

Per regolare l'altezza, tirare la leva (1) e spingere il bracciolo all'altezza desiderata. Successivamente, controllare che la leva (1) si blocchi in posizione. Per estrarre completamente la spondina, spingere la leva (2). Anche quando si monta la spondina, la leva (2) deve essere spinta. Controllare sempre che la spondina si blocchi nella posizione corretta. (Fig. 24).

AVVERTENZA!

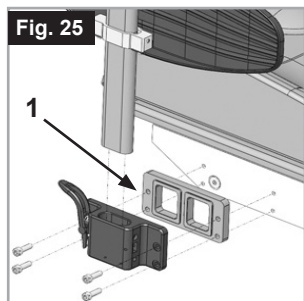
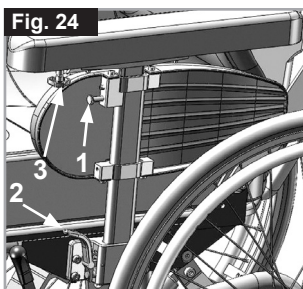
Quando si regola l'altezza dei braccioli fare attenzione a non schiacciarsi le dita.

La posizione dei braccioli può essere modificata allentando la manopola a stella (3) e spostando l'imbottitura nella posizione desiderata, (Fig. 24).

Controllare che la manopola a stella sia stretta correttamente! Per aumentare la larghezza del sedile di 2 cm si può rimuovere l'imbottitura interna e/o aggiungere 2 distanziali (1) (Fig. 25).

ATTENZIONE!

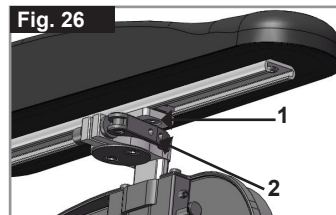
Quando si allarga il bracciolo, deve essere spostata anche la ruota posteriore (Fig. 25).



Opzioni – Bracciolo per emiplegico

BRACCIOLO PER EMIPLEGICO

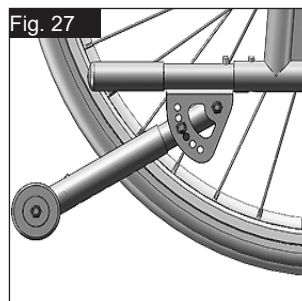
Il bracciolo per emiplegico può essere regolato in lunghezza e angolazione. È possibile regolare la lunghezza spingendo il bracciolo dopo avere allentato le 2 viti (1). Per regolare l'angolo, rilasciare la leva di sblocco (2), ruotare il bracciolo fino alla posizione desiderata e poi bloccare nuovamente la leva (Fig. 26).



Opzioni – Ruotine antiribaltamento

RUOTINE ANTIRIBALTAMENTO

Le ruotine antiribaltamento offrono un'ulteriore sicurezza per gli utenti inesperti che stanno imparando ad usare la carrozzina. Le ruotine evitano che la carrozzina si ribalti all'indietro. Inserire le ruotine antiribaltamento nel tubo del telaio fino a far entrare il primo dei due pulsanti a molla nel primo foro del tubo, (Fig. 27).



AVVERTENZA!

Se le ruotine antiribaltamento sono posizionate in modo non corretto è più probabile che la carrozzina si ribalti all'indietro. Ruotare le ruotine verso l'alto quando si affrontano ostacoli ingombranti (come un marciapiede) per evitare che tocchino terra, e poi girarle verso il basso per riportarle nella posizione normale.

NOTA: non inserire entrambi i pulsanti del tubo delle ruotine antiribaltamento nel tubo del telaio poiché le ruotine potrebbero danneggiarsi e non essere più efficaci. Spingere il secondo pulsante di blocco esposto per sollevare o rimuovere le ruotine di sicurezza. Devono esserci sempre tra 3 e 5 cm tra il tubo e il terreno. Ruotare le ruotine verso l'alto quando si affrontano ostacoli ingombranti (come un marciapiede) per evitare che tocchino terra. Quindi girare le ruotine verso il basso nella posizione normale (Fig. 27).

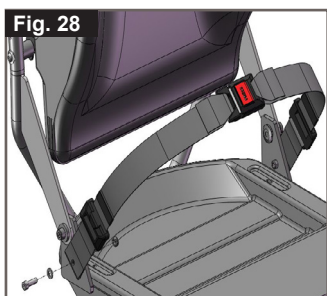
Opzioni – Cintura pelvica

CINTURA PELVICA

⚠ATTENZIONE!

Prima di usare la carrozzina assicurarsi che la cintura pelvica sia indossata e regolata correttamente.

La cintura pelvica va fissata alla carrozzina come mostrato nelle figure. La cintura pelvica è composta da due parti. Esse vengono fissate utilizzando il bullone di fermo per il blocco della seduta infilato nell'occhiello della cintura. La cintura viene fatta passare sotto la parte posteriore del pannello laterale. (Fig. 28).



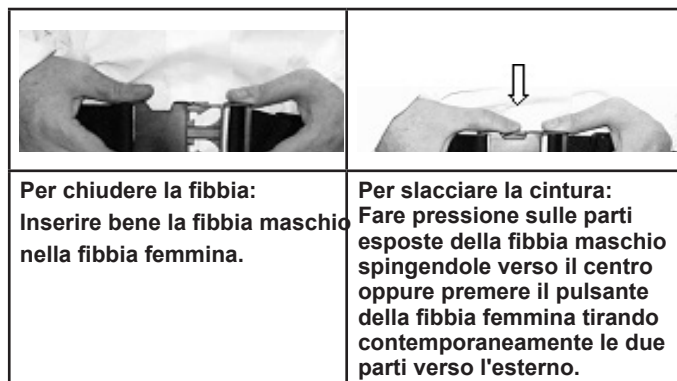
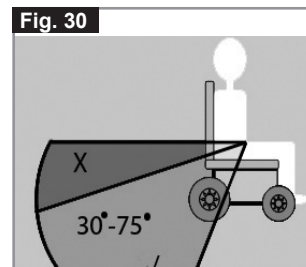
Regolare la posizione della cintura in modo che le due parti della fibbia si trovino al centro della seduta.

Regolare la cintura pelvica per adattarla alle esigenze dell'utente nel modo seguente:

Per aumentare la lunghezza della cintura	Per diminuire la lunghezza della cintura	✓
Far passare la cintura attraverso le guide di regolazione e la fibbia maschio per allungare la cintura.	Far ripassare la cintura attraverso la fibbia maschio e le guide di regolazione.	Controllare che la cintura non sia arrotolata sulla fibbia maschio.

Quando si allaccia la cintura, controllare lo spazio tra la cintura e l'utente; se la regolazione è corretta, deve essere possibile infilarsi una mano. (Fig. 29)

Normalmente la cintura pelvica deve essere fissata in modo che le cinghie formino un angolo di circa 45 gradi e, quando regolata correttamente, non permetta all'utente di scivolare in avanti. (Fig. 30).



Per chiudere la fibbia:
Inserire bene la fibbia maschio nella fibbia femmina.

Per slacciare la cintura:
Fare pressione sulle parti esposte della fibbia maschio spingendole verso il centro oppure premere il pulsante della fibbia femmina tirando contemporaneamente le due parti verso l'esterno.

CONSIGLI PER IL CLIENTE

⚠ATTENZIONE!

- Non fare affidamento solamente sulla cintura pelvica durante il trasporto dell'utente in carrozzina in un veicolo. Utilizzare il sistema di ritenuta per il passeggero fornito nel veicolo.
- Prima dell'uso, si raccomanda di controllare la cintura per verificare che sia regolata correttamente e priva di ostacoli o segni di usura e che la fibbia si chiuda bene.
- La mancata verifica della sicurezza e della regolazione della cintura pelvica prima dell'uso può causare gravi lesioni all'utente; per esempio, se la cintura è allentata eccessivamente, l'utente potrebbe scivolare in avanti rischiando il soffocamento.

MANUTENZIONE:

Controllare regolarmente la cintura pelvica e i componenti di fissaggio e assicurarsi che non siano logori o danneggiati. Se necessario, sostituirli. Pulire la cintura pelvica con acqua insaponata tiepida e lasciare asciugare.

ATTENZIONE!

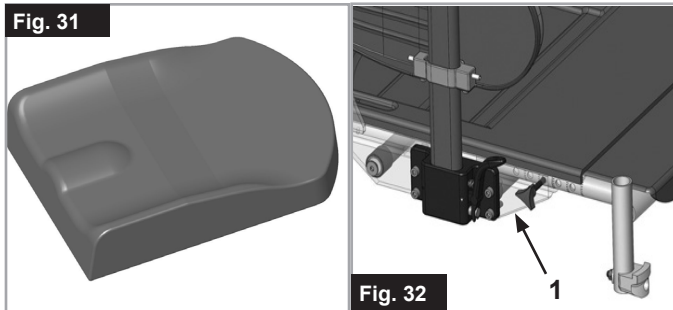
- Regolare la cintura pelvica in base alle necessità dell'utente come descritto precedentemente. Poiché l'utente potrebbe inavvertitamente allentarla, Sunrise Medical raccomanda di controllare regolarmente la lunghezza e la posizione della cintura pelvica.
- In caso di dubbi sull'uso e il funzionamento della cintura di sicurezza, rivolgersi al personale sanitario o al rivenditore.

Opzioni - Sedile**SEDILE COMFORT (FIG. 31).**

Il sedile comfort è un cuscino anatomico che consente di stare seduti a lungo comodamente. Il cuscino, anch'esso rimovibile, è fissato con il velcro. La fodera è lavabile (vedere le istruzioni sul cuscino).

PROFONDITÀ DELLA SEDUTA (FIG. 32).

Dopo aver allentato le manopole a stella (1) su entrambi i lati sarà possibile regolare la profondità del sedile con incrementi di 2 cm. Gli incrementi sono indicati dai contrassegni sul tubo di supporto della seduta e sull'etichetta della targhetta del sedile. Impostare la posizione desiderata e stringere di nuovo entrambe le manopole a stella.

**ATTENZIONE!**

- Non superare la profondità massima della seduta (vedere il contrassegno e la fine corsa).
- Accertarsi che le manopole a stella siano sempre allineate al foro corrispondente e che siano adeguatamente serrate.

REGOLAZIONE DELLA LARGHEZZA DELLA SEDUTA

La larghezza della seduta della carrozzina può essere estesa rimuovendo le imbottiture interne o aggiungendo dei distanziali (vedere l'opzione sulle spondine)

ANGOLO DELLA SEDUTA REGOLABILE (0°-25° / -3 -22°)

Prima di cominciare, rimuovere il perno di bloccaggio (1), (Fig. 33).

Tirando la leva (2) il sedile si sblocca e può essere impostato nella posizione desiderata, (Fig. 34). Una volta rilasciato, il sedile si blocca automaticamente nella nuova posizione.

ATTENZIONE!

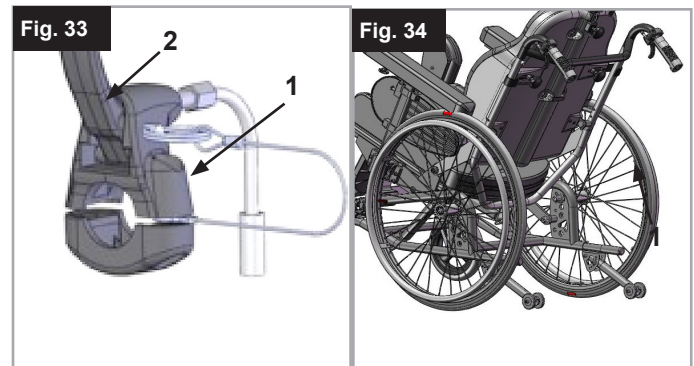
- Non regolare mai l'angolo dello schienale quando la carrozzina si trova su un pendio.
- La seduta ad angolazione regolabile può essere utilizzata solamente con ruotine antiribaltamento.

AVVERTENZA!

Quando si regola l'altezza dei braccioli fare attenzione a non schiacciarsi le dita.

ATTENZIONE!

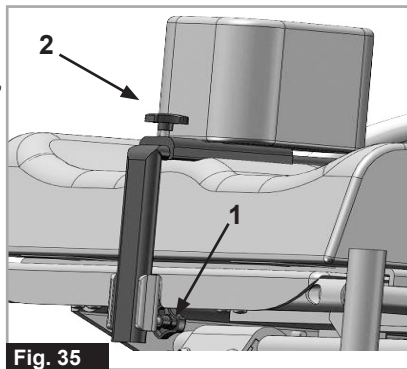
Per funzionare correttamente, i cavi non devono essere mai tesi.



Opzioni - Cuneo per abduzione

ABDUZIONE

Allentando la vite (1) il cuneo per abduzione può essere regolato in altezza, e allentando le viti (2) può essere regolato in profondità o rimosso, (Fig. 35).



Opzioni - Maniglie di spinta

MANIGLIE DI SPINTA REGOLABILI IN ALTEZZA

Allentare le manopole a stella (1) per regolare le maniglie di spinta all'altezza desiderata. Dopo ogni regolazione dell'altezza delle maniglie, assicurarsi che le manopole a stella (1) siano di nuovo strette, (Fig. 36).



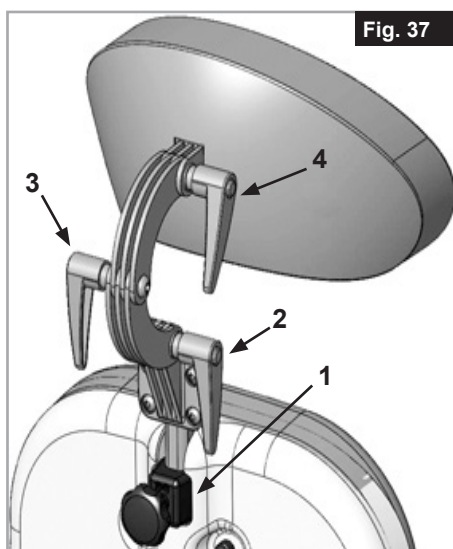
ATTENZIONE!

Se le manopole a stella non sono strette, quando si dovranno superare degli ostacoli si potrebbero rischiare delle lesioni.

Opzioni - Appoggiatesta

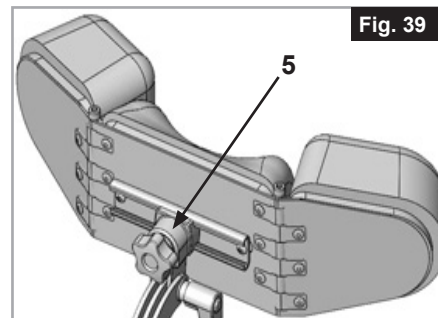
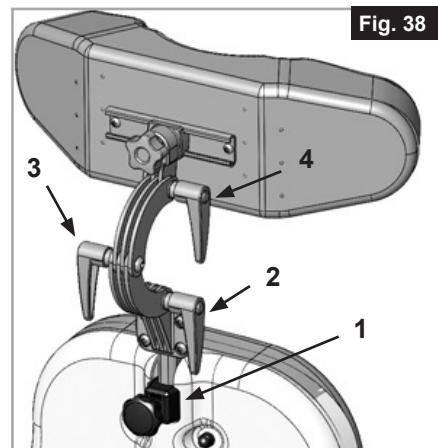
POGGIATESTA COMFORT

L'appoggiatesta può essere sollevato (1) e inclinato in avanti o indietro, (2-3-4). A questo scopo, basta allentare le leve/manopole di sblocco appropriate, regolare l'appoggiatesta nella posizione desiderata e stringerle nuovamente, (Fig. 37).



APPOGGIATESTA A 3 SEZIONI

L'appoggiatesta può essere sollevato (1) e inclinato in avanti o indietro, (2-3-4). Anche il punto centrale dell'appoggiatesta può essere regolato, (5). A questo scopo, basta allentare le leve/manopole di sblocco appropriate, regolare l'appoggiatesta nella posizione desiderata e stringerle nuovamente, (Fig. 38-39).

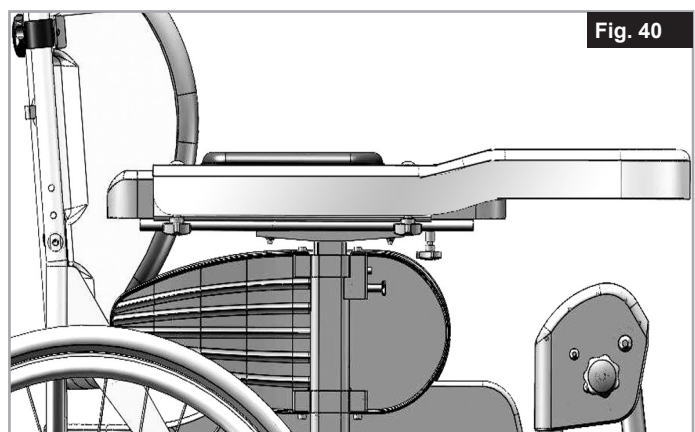


Opzioni - Tavolino

TAVOLINO

Il tavolino serve come superficie per lo svolgimento di varie attività. Prima dell'uso, il tavolino deve essere regolato in base alla larghezza della seduta da un tecnico autorizzato.

NOTA: Questa regolazione va eseguita con l'utente seduto sulla carrozzina (Fig. 40).



Targhetta di identificazione

TARGHETTA DI IDENTIFICAZIONE

L'etichetta di identificazione è applicata sulla crociera e sul manuale d'uso. Su questa targhetta sono riportati i dati tecnici. In caso di ordine di ricambi o di reclamo è necessario comunicare i seguenti dati:

ITALIANO

CAMPIONE

	SUNRISE MEDICAL		Sunrise Medical GmbH Kahlbachring 2-4 D-69254 Malsch / Germany		XXXX-XX-XX
TYPE:		Wheelchair, Rollstuhl, Fauteil Roulant, Silla de Ruedas		SN	XXXXXXXXXXXXXXXX
Relax2		ISO 7176-19:2008			
	XXX kg		max X°		XXX mm
	XXX mm		XXX mm		

Relax2

Nome del prodotto/codice articolo



max X°

La pendenza superabile massima dipende dall'assetto della carrozzina, dalla postura e dalle capacità fisiche dell'utente.



XXX mm

Larghezza seduta.



XXX mm

Profondità (massima).



XXX kg

Portata massima.



Marchio CE.



Guida per l'utente.



XXXX-XX-XX

Data di produzione.



Numero di serie.



Questo simbolo significa dispositivo medico.



Indirizzo del produttore.

ISO 7176-19:2008

Il crash test in conformità a: standard ISO 7176-19:2008.

In linea con la nostra politica di continuo miglioramento nel design delle carrozzine, le specifiche del prodotto possono differire leggermente dagli esempi illustrati. I pesi, le dimensioni e i dati prestazionali sono approssimati e forniti solo a scopo indicativo.

Sunrise Medical è conforme ai requisiti della Regolamento Dispositivi medici (EU) 2017/745.

CE Tutte le carrozzine devono essere usate secondo le linee guida del produttore.

Sunrise Medical GmbH
Kahlbachring 2-4
69254 Malsch/Heidelberg
Deutschland
Tel.: +49 (0) 7253/980-0
Fax: +49 (0) 7253/980-222
kundenservice@sunrisemedical.de
www.SunriseMedical.de

Controlli quotidiani

ATTENZIONE!

L'utente è la prima persona ad accorgersi di eventuali difetti. Prima di ogni uso, si raccomanda di controllare quanto segue:

- Controllare che la pressione degli pneumatici sia corretta
- Verificare il corretto funzionamento dei freni
- Controllare che le parti rimovibili siano ben fisse (ad es. braccioli, pedana, asse a sgancio rapido, ecc.)
- Verificare l'assenza di danni visibili, ad es. su telaio, schienale, rivestimento della seduta e dello schienale, ruote, pedana, ecc.)
- In caso di danni o malfunzionamento, contattare il rivenditore autorizzato di fiducia.

Pneumatici e loro montaggio

COPERTONI E MONTAGGIO DEGLI PNEUMATICI

Le ruote piene sono montate di serie durante la produzione.

Verificate che la pressione dei copertoni durante l'utilizzo sia sempre quella corretta. Una pressione inadeguata può compromettere le prestazioni della carrozzina. Se la pressione è troppo bassa, sarà necessario applicare una forza maggiore per muovere la carrozzina poiché la resistenza al rotolamento è maggiore. La manovrabilità della carrozzina ne risulterà compromessa. Se la pressione è troppo alta si rischia lo scoppio dello pneumatico. La pressione corretta è riportata su ogni singolo copertone, (max. 3,5 bar).

Il montaggio o la riparazione degli pneumatici avviene come per qualsiasi tradizionale copertone da bicicletta. Prima del montaggio della nuova camera d'aria verificare che nel canale del cerchione e nella parete interna del copertone non siano presenti corpi estranei. Dopo il montaggio o la riparazione controllare la pressione del copertone. La regolazione della pressione ai valori indicati e il buono stato dei copertoni sono condizioni importanti per la sicurezza e per le prestazioni della carrozzina.

Manutenzione e cura

MANUTENZIONE

- Ogni 4 settimane controllare la pressione degli pneumatici. Controllare inoltre l'usura o l'eventuale presenza di danni su tutti i copertoni.
- Ogni 4 settimane circa verificare i freni per accertarsi funzionino in modo corretto e che siano facili da usare.
- La sostituzione dei copertoni avviene come per qualsiasi tradizionale copertone da bicicletta.
- Tutte le parti snodabili della carrozzina vengono dotate di collegamenti a vite autobloccanti per garantire la massima sicurezza.
- Verificare ogni 3 mesi il corretto serraggio di tutti i collegamenti a vite (vedere la sezione relativa alla coppia di serraggio).
- I dadi di sicurezza devono essere utilizzati una sola volta e sostituiti dopo l'uso.
- Se la carrozzina è sporca, pulirla solamente con un detergente non corrosivo. Per la pulizia del
- telo della seduta e della cintura pelvica utilizzare esclusivamente acqua e sapone.
- Se la carrozzina dovesse bagnarsi, asciugarla immediatamente dopo l'uso per evitare la formazione di ruggine e la corrosione salina.
- Gli assi ad estrazione rapida devono essere lubrificati ogni 8 settimane circa utilizzando una minima quantità di olio per macchine da cucire. A seconda della frequenza e del modo in cui la carrozzina viene utilizzata, consigliamo di sottoporla ogni sei 12 mesi ad un controllo specializzato presso il rivenditore di fiducia.

ATTENZIONE!

Sabbia ed acqua marina (o in inverno il sale per sciogliere il ghiaccio) danneggiano i cuscinetti delle ruote anteriori e delle ruote posteriori. Per evitare danni derivanti dall'esposizione a questi agenti, provvedere immediatamente ad una accurata pulizia della carrozzina.

Le seguenti parti possono essere rimosse ed inviate al rivenditore per la riparazione:

Ruote posteriori, braccioli, pedana, ruotine antiribaltamento. Questi componenti sono disponibili come pezzi di ricambio. Per ulteriori dettagli contattare il rivenditore autorizzato.

IGIENE IN CASO DI UTILIZZO DA PARTE DI UN ALTRO UTENTE:

Prima che la carrozzina venga riutilizzata da un altro utente, prepararla adeguatamente, spolverando e trattando con disinfettante spray tutte le superfici che entrano a contatto con l'utente.

A questo scopo, usare un prodotto liquido a base di alcol per la disinfezione rapida dei prodotti medici, per un'azione veloce. Osservare le istruzioni del fabbricante per il disinfettante impiegato.

Normalmente non è possibile garantire una disinfezione sicura sulle cuciture. Pertanto, raccomandiamo di cambiare ed eliminare in modo appropriato i teli della seduta e dello schienale in caso di contaminazione microbatterica con agenti attivi, conformemente alle norme vigenti.

IMMAGAZZINAGGIO

Riporre sempre la carrozzina in un luogo asciutto.

Risoluzione dei problemi

SE LA CARROZZINA TENDE A MUOVERSI LATERALMENTE

- Controllare la pressione degli pneumatici.
- Controllare il regolare rotolamento della ruota (cuscinetti, asse)
- Controllare che l'angolo delle ruote anteriori sia lo stesso ai due lati e che le ruote siano a contatto con il terreno.
- Verificare che i cuscinetti della forcella siano liberi di ruotare.

SE LE RUOTE ANTERIORI VIBRANO

- Controllare l'angolazione delle ruote anteriori
- Controllare che le viti siano serrate correttamente; se necessario, stringerle nuovamente (vedere la sezione relativa alla coppia di serraggio)
- Controllare che entrambe le ruote anteriori siano a contatto con il terreno

SE LA CARROZZINA CIGOLA E SCRICCHIOLA

- Controllare che le viti siano serrate correttamente; se necessario, stringerle nuovamente (vedere la sezione relativa alla coppia di serraggio)
- Applicare una quantità minima di lubrificante sulle giunzioni delle parti mobili

SE LA CARROZZINA OSCILLA

- Controllare l'angolo di impostazione delle ruote anteriori
- Controllare la pressione degli pneumatici
- Controllate che le ruote posteriori non siano state regolate in modo differente una dall'altra

AMMORTIZZATORI E CAVI

⚠ATTENZIONE!

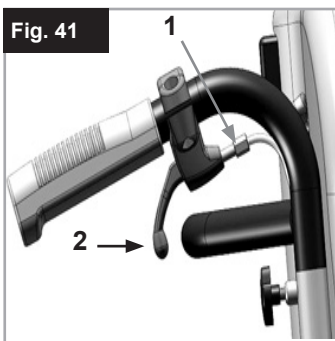
Per evitare malfunzionamenti, verificare che i cavi non siano eccessivamente tesi.

PROBLEMA:

Gioco nella leva

SOLUZIONE:

Allentare la vite di regolazione (1) fino a quando la leva (2) non smette di avere gioco, (Fig. 41).



IMPOSTAZIONE DELL'ANGOLO DELLA SEDUTA

PROBLEMA:

Il sedile esce dalla sede, senza che venga rilasciato l'ammortizzatore.

CAUSA:

I cavi Bowden sull'elemento respingente sono troppo tesi.

SOLUZIONE:

Impostare i cavi Bowden sulla vite di regolazione (1)

⚠ATTENZIONE!

Proteggere il cavo Bowden da eventuali danni (schiacciamento). In caso di schiacciamento, sostituire il cavo.

Smaltimento / Riciclaggio dei materiali

NOTA: Se la carrozzina è stata messa a disposizione gratuitamente, potrebbe non essere di proprietà dell'utente. Se non è più necessaria, seguire le istruzioni fornite dall'organizzazione che ha messo a disposizione la carrozzina per la restituzione.

Di seguito vengono descritti i materiali usati per la carrozzina e l'imballaggio e come devono essere smaltiti e riciclati. Quando si organizza lo smaltimento, considerare gli eventuali regolamenti specifici in vigore localmente per lo smaltimento dei rifiuti o il riciclaggio. (Questo può includere la pulizia o la disinfezione della carrozzina prima dello smaltimento).

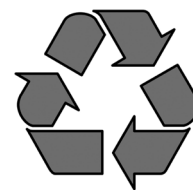
Acciaio: dispositivi di fissaggio, asse ad estrazione rapida, teli delle spondine, telai dei braccioli, pedana, manopole di spinta.

Plastica: maniglie, forcelle delle ruote anteriori, fermatubi, ruote anteriori, appoggiapiedi, imbottiture dei braccioli e ruote/pneumatici da 12", ruote, spondine.

Imballaggio: Sacco in polietilene a bassa densità, scatola di cartone.

Rivestimento: Poliestere tessuto con rivestimenti in PVC e schiuma modificata da combustione espansa.

Per lo smaltimento o il riciclaggio rivolgersi ad un centro di smaltimento autorizzato. In alternativa, la carrozzina può essere restituita al rivenditore per essere smaltita.



Förord

Bästa kund,

Vi är mycket glada att du bestämt dig för att välja en högkvalitativ produkt från SUNRISE MEDICAL.

Denna bruksanvisning ger dig en mängd tips och idéer som kommer att göra din nya rullstol till en pålitlig och driftsäker partner i din vardag.

Att upprätthålla en bra kundrelation är viktigt för oss på Sunrise Medical. Därför vill vi hålla dig informerad om våra nya och pågående utvecklingsprojekt. Att måna om kunderna betyder för oss bland annat snabb service, så lite byråkrati som möjligt, och ett nära samarbete med kunden. När du behöver reservdelar eller tillbehör, eller bara har en fråga om din rullstol - finns vi här för dig.

Vi vill att du ska vara nöjd med våra produkter och vår service. På Sunrise Medical arbetar vi ständigt på att vidareutveckla produkterna. Detta innebär att du kan komma att uppleva skillnader i vårt produktsortiment vad gäller form eller funktion. Därför kan inga uppgifter eller bilder i denna användarhandbok utgöra grund för ersättningskrav.

Sunrise Medicals ledningssystem är certifierat enligt DIN EN ISO 9001, ISO 13485 och ISO 14001.

CE Som tillverkare försäkrar SUNRISE MEDICAL att lätta rullstolar överensstämmer med förordning för medicintekniska produkter (2017/745).

OBS:

Allmän rådgivning.

Om du inte följer dessa anvisningar kan det resultera i fysiska skador, skador på produkten eller skador på miljön!

Om en incident i samband med enheten inträffar ska brukaren och/eller ska rapportera detta till tillverkaren och den behöriga myndigheten i den medlemsstat där brukaren och/eller patienten är etablerad.

B4Me specialanpassningar

Sunrise Medical rekommenderar starkt att för att säkerställa att din B4Me-produkt fungerar, och fungerar på det sätt som tillverkaren avser; all användarinformation som medföljer din B4Me-produkt ska läsas och förstås innan produkten först används.

Sunrise Medical rekommenderar också att användarinformationen inte kasseras efter att ha lästs, utan att den förvaras säkert för framtida referens.

Kombinationer av medicintekniska produkter

Det kan vara möjligt att kombinera denna medicintekniska produkt med en eller flera andra medicintekniska produkter eller andra produkter. Information om vilka kombinationer som är möjliga finns på www.Sunrisemedical.se. Alla angivna kombinationer har validerats för att uppfylla de allmänna kraven på säkerhet och prestanda, bilaga I nr. 14.1 i förordningen om medicintekniska produkter 2017/745.

Vägledning om kombinationen, till exempel montering, finns på www.SunriseMedical.se

Kontakta din lokala auktoriserade Sunrise Medical-återförsäljare om du har frågor gällande användning och underhåll av, eller säkerhet kring, din rullstol.

Om det inte finns någon auktoriserad Sunrise Medical-handlare där du bor, och du har frågor till oss, kontakta oss då antingen per brev eller telefon.

Sunrise Medical AB
Neogatan 5
431 53 Mölndal
Sweden
Tel.: +46 (0)31 748 37 00
post@sunrisemedical.se
www.SunriseMedical.se



VIKTIGT:

ANVÄND INTE DIN RULLSTOL FÖRRÄN DENNA BRUKSANVISNING HAR LÄSTS OCH FÖRSTÄTTS.

Användning

Rullstolar används exklusivt för en brukare som inte kan gå eller har begränsad rörlighet, för sitt personliga bruk, inom hemmet och utomhus.

Den maximala brukarvikten (för användaren samt vikt av eventuella rullstolstillbehör) finns angiven på serienummeretiketten, som sitter på tvärbalken eller stabilisatorn under sitsen.

Garantier gäller endast om produkten används under angivna förhållanden samt för avsedda syften.

Rullstolens förväntade livslängd är 5 år.

INGA ICKE-STANDARDDELAR får monteras, annat än de som officiellt är godkända av Sunrise Medical.

Lämpliga användare

Indikationer

Det stora utbudet av anpassningsmöjligheter och den modulära designen innebär att den kan användas av personer som inte kan gå eller har begränsad rörelseförmåga på grund av:

- Förlamning
- Förlust av extremiteter (benamputation)
- Benskada eller bendeformation
- Ledkontrakturer eller ledsador
- Sjukdomar som hjärt- och cirkulationsfel, störningar i balans eller kakexi, neurologiska sjukdomsmönster, muskeldystrofi, hemiplegi samt för äldre personer som fortfarande har styrka i överkroppen.

Begränsningar

Rullstolen får inte användas utan ledsagarhjälp vid:





- Perceptionsstörning
- Obalans
- Förlust av båda armarna, om man inte har en ledsagare.
- Ledkontraktur eller ledskada på båda armarna
- Sittproblematik

Notera kroppsstorlek, vikt, fysisk och psykisk status, ålder samt levnadsförhållanden och -miljö för de patienter som eventuellt ska ordinerats hjälpmedlet.

Innehållsförteckning	
Innehållsförteckning	134
Allmänna säkerhetspåpekanden och körrestriktioner	135
Garanti	137
Transport i fordon	138
Hantering	140
Inställningar/funktioner – Tramprör	140
Inställningar/funktioner – Bromsar	140
Inställningar/funktioner – Fotplattor	141
Inställningar/funktioner - Stöd för amputerade	142
Inställningar/funktioner - Vinkelställbara benstöd	142
Inställningar/funktioner - Länkhjul	142
Inställningar/funktioner – Länkhjulsadapter	143
Inställningar/funktioner - Ryggstöd	143
Inställningar/funktioner - Sidoskydd	144
Inställningar/funktioner – Hemiplegiska armstöd	144
Inställningar/funktioner – Tippskydd	144
Inställningar/funktioner – Positioneringsbälte	145
Inställningar/funktioner - Sits	146
Inställningar/funktioner - Abduktion	147
Inställningar/funktioner – Körhandtag	147
Inställningar/funktioner – Nackstöd	147
Inställningar/funktioner - Terapibord	147
Märkskylt	148
Dagliga kontroller	148
Däck och montering	149
Underhåll och skötsel	149
Felsökning	150
Avfallshantering/återvinning av material	150

Definitioner

3.1 Definitioner av ord som används i denna handbok

Ord	Definition
 FARA!	Att ignorera dessa varningar kan leda till allvarlig skada eller dödsfall.
 VARNING!	Varning till användaren om potentiell risk för skada om rådet inte följs.
 VIKTIGT!	Meddela användaren att potentiell skada på utrustningen kan förekomma om varningen ignoreras
OBS:	Generellt råd eller bästa praxis.
	Hänvisning till ytterligare dokumentation

OBS:

Det är inte säkert att de rullstolar som visas och beskrivs i den här handboken i alla detaljer är identiska med din stol. Oavsett eventuella detaljer som skiljer, ska samtliga instruktioner dock gå att tillämpa.

Tillverkaren reserverar sig rätten att utan föregående meddelande ändra vikter, mått eller andra tekniska data som anges i den här handboken. Alla siffror, mått och prestanda som anges i den här handboken är ungefärliga och utgör ej specifikationer.

OBS:

Anteckna gärna adress och telefonnummer till ditt serviceombud i utrymmet nedan.

Skulle din rullstol gå sönder kan du då snabbt komma i kontakt med dem och få hjälp.

Återförsäljarens underskrift och stämpel

Allmänna säkerhetspåpekanden och körrestriktioner

Rullstolen har konstruerats för maximal säkerhet. Gällande internationella säkerhetsstandarder har uppfyllts eller överträffats.

Trots detta kan användaren utsätta sig för risker om rullstolen används på olämpligt sätt. För din egen säkerhet måste följande anvisningar följas.

Oprofessionella eller felaktiga ändringar eller justeringar ökar olycksrisken. Rullstolsanvändare är lika delaktiga i den dagliga trafiken på gator och trottoarer som vem som helst. Vi vill därför påminna dig om att du måste följa alla tillämpliga trafikregler. Var försiktig första gången du använder rullstolen. Lär känna din rullstol.

Före varje användning bör följande kontrolleras:

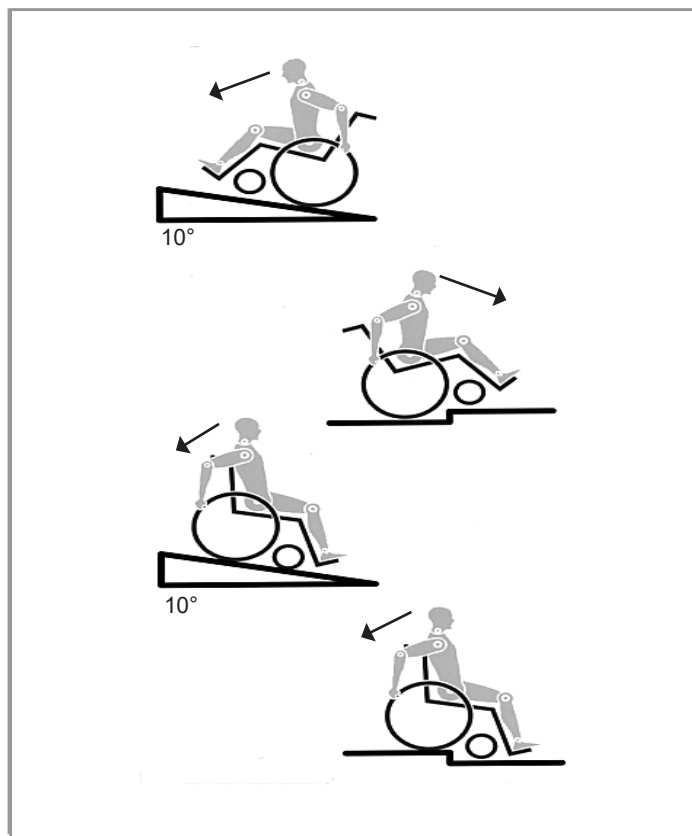
- Fasta axlar eller snabbkopplingsaxlar på drivhjulen.
- kardborrelåsen på sitsar och ryggstöd
- däck, däcktryck och bromsar.

Ska du ändra någon stolsinställning är det viktigt att du först läser det aktuella avsnittet i bruksanvisningen.

Gropar eller ojämn terräng kan orsaka att rullstolen välter, särskilt vid uppförs- eller nedförskörning. När du passerar över ett trappsteg eller uppför en sluttning frontalt, bör du luta kroppen framåt.



- Överskrid **ALDRIG** maxlasten på 145 kg (XL = 170 kg) för brukaren och alla föremål som transporteras på rullstolen. Om maxlasten överskrids, kan följden bli att rullstolen skadas eller att du ramlar eller välter eller förlorar kontrollen, vilket kan leda till allvarliga personskador.
- Bär ljusa eller reflexförsedda kläder när det är mörkt, så att andra trafikanter ser dig. Se till att reflexerna på sidorna och baktill på stolen är fullt synliga.
- Vi rekommenderar också att du har aktiv belysning monterad.
- För att undvika tippning och andra farliga situationer bör du först träna dig i att använda din nya rullstol på plan mark med god sikt.



- Använd inte fotplattorna när du stiger i eller ur rullstolen.
- De ska på förhand vara uppfällda och utsvängda så långt som möjligt åt sidorna. Positionera alltid dig själv så nära som möjligt den plats du önskar förflytta dig till.
- Använd försiktighet och sunt förnuft när du kör din rullstol. Bromsa t.ex. alltid in när du närmar dig ett hinder (trappsteg, trottoarkant) eller gropar.
- Bromsarna är inte avsedda att stoppa rullstolen när den är i rörelse. De är enbart ett slags parkeringsbromsar som ser till att rullstolen inte kan rulla iväg av sig själv. När du stannar på ojämnt underlag bör du alltid använda bromsarna för att förebygga oavsiktliga rörelser. Slå alltid till bägge bromsarna, annars finns det risk att stolen välter.
- Ta reda på hur rullstolens egenskaper t.ex. i sluttningar eller vid hinder, påverkas när tyngdpunkten ändras. Gör detta med hjälp av en ledsagare.
- Med extrema inställningar (t.ex. bakhjulen i den yttersta främre positionen) och inte perfekt kroppshållning, kan rullstolen välta även om underlaget är jämnt.
- Luta överkroppen framåt vid körning uppför sluttningar och trappsteg.
- Luta överkroppen bakåt vid körning nedför sluttningar och trappsteg. Försök aldrig köra upp- eller nedför en sluttning diagonalt.
- Åk inte rulltrappa om du bedömer att du kan skada dig allvarligt om du skulle falla.
- Kör inte rullstolen i lutningar brantare än 10°. Stabiliteten vid körning i lutning beror på stolskonfigurationen samt användarens färdigheter och körsätt. Eftersom användarens färdigheter och körsätt inte kan förutses, kan någon maximal säker lutning inte fastställas. Denna måste därför fastställas av användaren, som därvid tar hjälp av ledsagare för att inte tippa. Vi rekommenderar starkt att oerfarna användare har tippskydd monterade på stolen.
- Gropar eller ojämn terräng kan orsaka att rullstolen välter, särskilt vid uppförs- eller nedförskörning.
- Kör inte rullstolen på lerigt eller isigt underlag.
- Kör inte med rullstolen där det är förbjudet att gå till fots.
- För undvikande av handskador ska du inte föra in handen mellan ekrarna eller mellan drivhjul och broms under körning.
- Fingrar blir lätt varma vid inbromsning i hög hastighet eller i lång nedförsbacke, speciellt om drivringarna är i lättmetall.
- Förflyttning i trappor ska alltid ske med hjälp av en ledsagare. Använd tillgängliga hjälpmedel som t.ex. ramper eller hissar. Finns ingen sådan utrustning tillgänglig måste stolen tippas och skjutas – aldrig bäras – över hindret (av två ledsagare). Vi rekommenderar att brukare över 100 kg i vikt inte förflyttas på detta sätt. Normalt måste eventuella tippskydd först ställas in så att de inte kan komma i beröring med trappsteg och orsaka en fallolycka. Efteråt måste tippskydden sättas tillbaka till ursprungsläget.

FARA!

- Säkerställ att ledsagaren endast håller i rullstolen med hjälp av säkert monterade delar. Avlägsna inte löstagbara delar (t.ex. inte på fotplattor eller sidoskydden).
- Kontrollera att monterade tippskydd befinner sig utanför riskzonen när ramper används.
- Slå till rullstolens bromsar då du parkerar på ojämnt underlag samt vid förflyttning (t.ex. in i en bil).
- Kontrollera att monterade tippskydd befinner sig utanför riskzonen när ramper används.
- Slå till rullstolens bromsar då du parkerar på ojämnt underlag samt vid förflyttning (t.ex. in i en bil).
- Vid färd i handikapptransportfordon bör i första hand fordonets egna säten och fastspänningsanordningar användas. Det är enda sättet att tillförsäkra de åkande maximalt skydd i händelse av en olycka.
- Beroende på länkhjulens diameter och inställning samt rullstolens tyngdpunktsinställning kan länkhjulen börja wobbla vid höga hastigheter. Detta kan leda till att länkhjulen slutar fungera och att rullstolen tippar. Kontrollera därför att länkhjulen är korrekt inställda (se kapitlet "Länkhjul").
- Vi rekommenderar att nybörjare använder tippskydd.
- Tippskydden är avsedda att förhindra att rullstolen oavsiktligt välter bakåt. Under inga omständigheter får de ersätta transithjulen användas för att transportera en person i en rullstol med bakhjulen borttagna.
- Om du sträcker dig efter föremål (som befinner sig framför, bakom eller på sidan av rullstolen), sträck dig då inte för långt utanför rullstolen eftersom en tyngdpunktsändring kan medföra att rullstolen välter. Om du hänger extra last (ryggsäck eller liknande föremål) bakpå rullstolen kan dess stabilitet komma att påverkas; särskilt i kombination med användning av ryggstöd med recline-funktion. Detta kan leda till att stolen tippar bakåt och att du skadas.
- Låramputerade användare måste använda tippskydd.
- Kontrollera före färd att du har rätt däcktryck. För drivhjulen är det 3,5 bar (350 kPa). Max tryck indikeras på däcket. Knäledsbromsarna fungerar endast vid tillräckligt däcktryck och om korrekt inställning har gjorts (se kapitlet för "Broms").
- Vid skada på sits eller ryggstöd måste du omedelbart byta ut skadade delar.
- Var försiktig med eld, särskilt brinnande cigaretter. Sitsen eller ryggstödet kan fatta eld.
- Om rullstolen utsätts för direkt solljus / låga temperaturer under en längre tid, då kan delar av rullstolen (t.ex. ram, benstöd, broms och sidoskydd) bli heta (>41°C) / mycket kalla (<0°).
- Se alltid till att snabbkopplingsaxlarna på drivhjulen är inställda korrekt och helt inne i hylsan (låsta kullager visas helt genom axelhylsa). Om knappen på snabbkopplingsaxeln inte trycks in kan drivhjulet inte tas av.

VIKTIGT!

- Såväl knäledsbromsens effektivitet som rullstolens allmänna köregenskaper beror av däcktrycket. Stolen är betydligt mer lättmanövrerad då bakdäcken är ordentligt uppumpade och bägge däcken har samma tryck.
- Se till att däcken har tillräckligt mönsterdjup!
- Observera att du måste följa alla tillämpliga lagar och trafikregler när du kör ute i trafiken.
- Var alltid försiktig vid hantering eller justering av rullstol!
- Justeringar som kräver verktyg bör utföras på hjälpmedelscentralen.
- Rengör rullstolen regelbundet för att undvika rost och saltkorrosion.
- Kontrollera att nitar, muttrar och bultar är åtdragna och att inga rullstolsdelar är lösa.
- Med alla rörliga delar finns det en naturlig klämrisk av fingrar. Hantera varsamt.
- Det är inte säkert att de produkter som visas och beskrivs i den här handboken är i varje detalj lika din modell. Oavsett eventuella detaljer som skiljer ska samtliga instruktioner gå att tillämpa.
- Tillverkaren reserverar sig rätten att utan föregående meddelande ändra vikter, mått eller andra tekniska data som anges i den här handboken. Alla siffror, mått och prestanda som anges i den här handboken är ungefärliga och utgör ej specifikationer.

FARA!

KVÄVNINGSRISK – Detta förflyttningshjälpmedel använder små delar som under vissa omständigheter kan utgöra en kvävningrisk för små barn.

LIVSLÄNGD

Den förväntade livslängden för denna produkt är 5 år förutsatt att:

Den används strikt enligt avsett bruk
alla service- och underhållskrav är uppfyllda.

GARANTI

DENNA GARANTI PÅVERKAR INTE DINA JURIDISKA RÄTTIGHETER I NÅGOT AVSEENDE.

Sunrise Medical* erbjuder en garanti, enligt garantivillkoren för rullstolar till sina kunder som täcker följande

Garantivillkor

1. Skulle någon eller några av rullstolens delar behöva repareras eller bytas ut som resultat av ett tillverknings- och/eller materialfel inom 24 månader (5 år för ram och tvärstag) efter leverans till kunden, kan defekta delar repareras eller bytas ut utan kostnad. (Batterier garanteras under en period av 12 månader så att korrekt batteriskötselplan följs)
2. För att använda garantin, kontakta serviceombud eller återförsäljare som godkänts av Sunrise Medical med exakt beskrivning av problemet. Om stolen, då ett problem uppstår, skulle befinna sig alltför långt bort från det anvisade Sunrise Medical-serviceombudet, kan reparationer eller utbyte servas av en annan serviceverkstad som är utsedd av tillverkaren. Rullstolen måste repareras av ett godkänt Sunrise Medical-serviceombud, (återförsäljare).
3. För delar som har reparerats eller bytts ut inom ramen för denna garanti, erbjuder vi en garanti i enlighet med dessa garantivillkor för den återstående garantiperioden för rullstolen enligt med punkt 1).
4. Originala reservdelar som har monterats genom kundens försorg, kommer att ha en 12 månaders garanti, (efter montering), enligt dessa garantivillkor.
5. Förbrukningsartiklar såsom klädsel, däck, innerslangar och liknande delar undantas från garantin, förutom i de fall då tidig förslitning av delen är ett direkt resultat av ett tillverkningsfel.
6. Vi ansvarar inte för reparationer eller utbyte av en rullstol eller del i följande fall:
 - a) Produkten eller delen har inte underhållits eller servats enligt tillverkarens rekommendationer i användar- och/eller servicehandboken.
 - b) Tillbehör som inte kan anses vara originaldelar har använts.
 - c) Rullstolen eller del därav har skadats på grund av slarv, olycka eller olämpligt användningssätt.
 - d) Ändringar/modifikationer av rullstolen eller dess delar som ej utförts enligt tillverkarens anvisningar.
 - e) Reparationer har utförts innan serviceombudet konsulterats.
7. Denna garanti gäller enligt lagen i det land där denna produkt inköptes från Sunrise Medical“

* Innebär Sunrise Medical-anläggningen där produkten inhandlades.

Transport i fordon



Det finns risk för allvarlig skada eller dödsfall om dessa råd inte åtföljs!

Transportera rullstolen i ett fordon:

En rullstol som transporteras fastspänd i ett fordon ger inte samma skydd och säkerhet som fordonets egna säten. Det rekommenderas alltid att användaren flyttas över till fordonets säte. Det är känt att det inte alltid är möjligt för användaren att flyttas och under dessa förhållanden, när användaren ska transporteras i rullstolen, måste följande råd följas:

1. Säkerställ att fordonet är lämpligt utrustat för transport av passagerare i en rullstol, och att metoden för ingång/utgång är lämpad för din rullstolstyp. Fordonet bör ha golvhållfasthet för att klara den kombinerade vikten av användaren, rullstolen och rullstolstillbehör.
2. Det måste finnas tillräckligt med utrymme runt rullstolen för att komma åt att fästa, dra åt och lossa såväl rullstolens fästankordningar som användarens säkerhetsbälten.
3. Rullstolen med användaren i måste stå i färdriktningen, med såväl säkerhetsfästen för rullstolen som säkerhetsbälte för användaren anbringade (bägge ska uppfylla ISO 10542 eller SAE J2249) enligt respektive säkerhetsanordningstillverkarens instruktioner.
4. Transport av rullstolen i andra positioner har inte testats. Stolen får därför under inga omständigheter transporteras i annan position, t.ex. vinkelrätt mot färdriktningen (Fig. A).

5. Rullstolen bör säkras med ett system med säkerhetsfästen, som uppfyller ISO 10542 eller SAE J2249 med icke-justerbara främre remmar och justerbara bakre remmar, med vanliga Karbiner-band/S-krokar och spänn- och låsanordningar. Dessa fästankordningar består vanligen av 4 individuella remmar som är fästa i rullstolens alla hörn.
6. Fastspänningsanordningen ska monteras på rullstolens huvudram enligt indikation i diagrammet på följande sida, och inte till några tillbehör, t.ex. inte runt hjulens ekrar, bromsar eller benstöd.
7. Fästankordningen bör fästas så nära som möjligt i 45 graders vinkel och dras åt ordentligt enligt tillverkarens anvisningar.
8. Rullstolens fästpunkter för säkerhetsutrustning får inte modifieras eller bytas ut, inte heller delar i ramen eller annan viktig struktur, utan att tillverkaren konsulterats. Om du inte följer dessa råd gäller inte krocktesten för rullstolen vid transport i ett fordon.
9. Säkerhetsbälte både för midjan och övre bålen bör användas för att fästa användaren för att reducera risken för påverkan på huvud- och bröst av fordonets komponenter och allvarlig risk för skada på användaren och övriga användare av fordonet. (Fig. B) Övre bålen säkerhetsbälte bör monteras på fordonets "B" stöd - om detta inte görs ökar risken för allvarliga skador på användarens mage.
10. Ett nackstöd lämpat för transport (se etiketten på stödet) måste finnas monterat samt hela tiden under färd vara inställt för att ge ett bra skydd.
11. Midjestödbälten bör inte användas som säkerhetsbälte i ett fordon under färd, med undantag av bälten som uppfyller kraven i ISO 7176-19:2001 eller SAE J2249.
12. Användarens säkerhet under färd är beroende av att personen som anbringar fästankordningarna dels har fått erforderlig information om och/eller utbildning i hur dessa fungerar, dels att denne utför uppgiften noggrant.

Fig.A

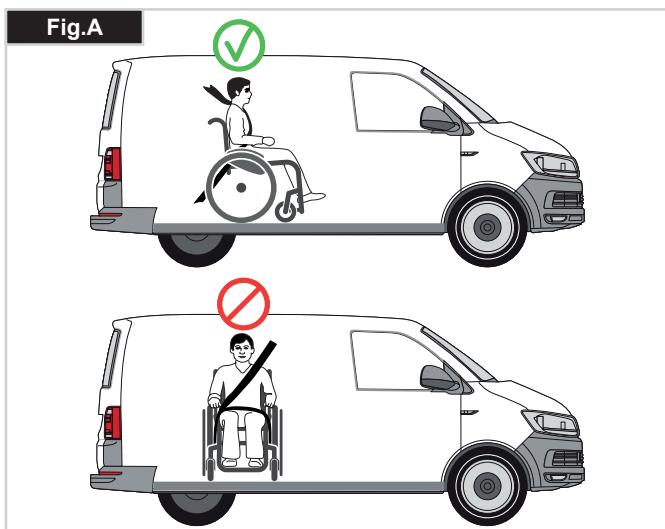


Fig.B



Transport i fordon

13. Så långt det låter sig göras ska all extrautrustning avlägsnas från rullstolen och stuvvas undan. Det gäller exempelvis:

Kryckor, lösa dynor och bord.

14. Vinkelställbart benstöd bör inte användas i upphöjd position när rullstolen och användaren transporteras och rullstolen är fastspänd med transport- och användarbälten.

15. Vinklat ryggstöd bör återföras till en upprätt position.

16. De manuella bromsarna måste användas korrekt.

17. Bälten bör monteras på fordon "B" stöden och bör inte hållas borta från kroppen av rullstolskomponenter som armstöd eller hjul.

SÄKERHETSBELTEN, ANVISNINGAR:

1. Säkerhetsbältet för midjan ska sitta lågt över höfterna så att bältets vinkel ligger inom det rekommenderade området 30 till 75 grader från horisontalplanet.

Ju brantare (större) vinkel inom det rekommenderade området desto bättre, så länge den inte överstiger 75°. (Fig. C)

2. Säkerhetsbältet för överkroppen måste löpa över skuldran och bröstet så som visas på bilden. Fig. D och E

Säkerhetsbälten ska dras åt så hårt som möjligt utan att användaren upplever obehag.

Bältena får inte vara snodda.

Säkerhetsbältet för övre bälten måste löpa över axeln enligt bild i Fig. D och E.

3. Fästpunkterna på stolen är på ramens insida framtill, precis ovanför länkhjulen, samt på ramens baksida. Remmarna fästs runt ramens sidor, i skarven mellan ramens horisontalgående och vertikalgående rör. (Se Fig. G-H).

4. Fastspänningssymbolen (Fig. F) på rullstolsramen anger var remmarna ska fästas. Då de främre remmarna spänts fast ska remmarna dras åt, så att stolen står stadigt.

PLACERING AV FÄSTPUNKTER PÅ RULLSTOLEN:

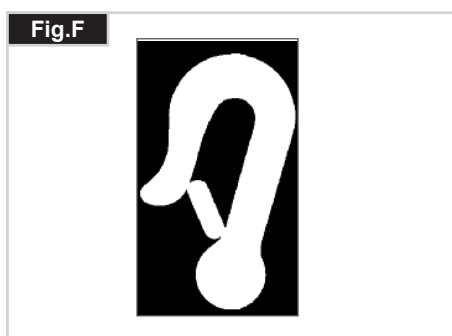
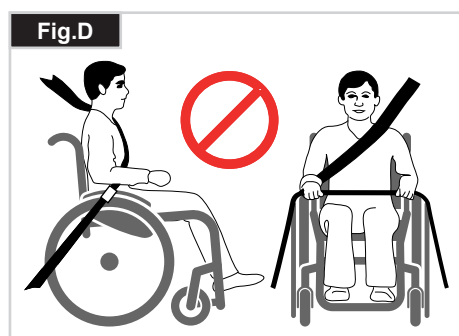
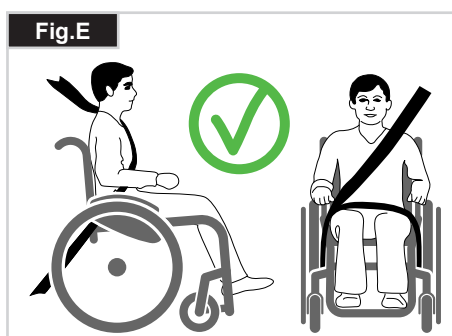
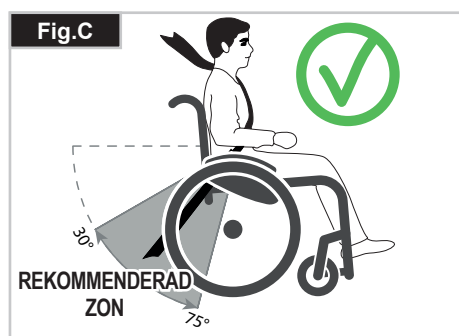
1. Läge för främre, (Fig. G) och bakre, (Fig. H), fästnanordningar för rullstolen och dekal för fästpunkt.

LÄGRE ÄN 22 KG BRUKARVIKT

När brukaren som transporteras är barn, med lägre kroppsvikt än 22 kg och fordonet har mindre än åtta (8) sittande passagerare, rekommenderas att de överförs till en UNCE förordning 44 fasthållningsanordning för barn (CRS).

Denna typ av fasthållningsanordning ger en effektivare fasthållningsanordning för passagerarna än den konventionella 3-punkts fasthållningsanordningen och i vissa CRS-system ingår även ytterligare posturalt stöd för att hjälpa till att bibehålla positionen för barnet när det sitter.

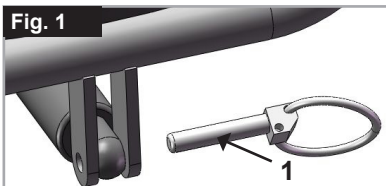
I vissa fall kan föräldrar eller vårdgivare överväga alternativet för sina barn att stanna kvar i sin rullstol under transport på grund av graden av postural kontroll och komfort som inrättats i rullstolen. Under sådana förhållanden skulle vi rekommendera att en riskutvärdering utförs av din sjukvårdspersonal och behöriga kompetenta personer.



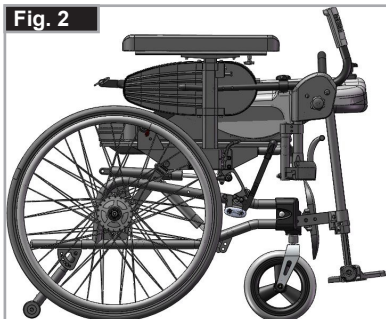
Hantering

FÄLLA IHOP

Ryggstödet kan fällas framåt för att möjliggöra transport av rullstol. Säkra ryggstödet så att det inte oavsiktligt faller, avlägsna säkerhetsplinten (1) och fäll sedan ryggstödet framåt.



För att få en mindre ihopfällbar enhet kan sittyndan och ryggskyddet avlägsnas.



⚠ VARNING!

Skaderisk – ryggstödet måste säkras /hållas innan du frigör det.

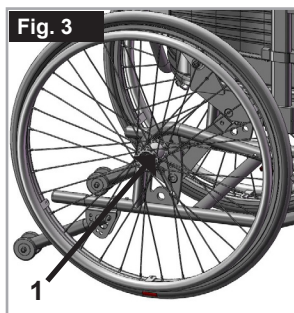
Vik upp ryggstödet och ställ in splinten för att återställa ryggstödet i upprätt position.

⚠ FARA!

- Skaderisk – du bör säkerställa att ryggstödet är korrekt säkrat!
- Se till att ryggskyddet är korrekt låst på plats.

SNABBKOPPLINGSAXLAR PÅ DRIVHJUL

Bakhjulen är utrustade med snabbkopplingsaxlar. Hjulen kan följaktligen tas på och av utan användning av verktyg. Ta bort ett hjul genom att helt enkelt trycka in snabbkopplingsknappen på axeln (1) och dra bort hjulet från axeln, (Fig. 3).



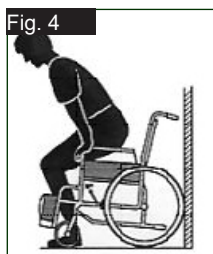
⚠ VIKTIGT!

Montera drivhjul genom att hålla snabbkopplingsknappen på axeln nedtryckt medan du för in axeln i ramen. När du släpper knappen låses hjulet på plats. Knappen bör då hoppa tillbaka till utgångsläget.

SÄTTA SIG I RULLSTOLEN PÅ EGEN HAND

(Fig. 4)

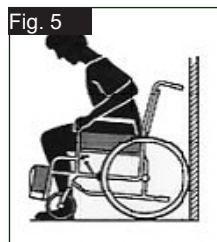
- Rullstolen bör ställas mot en vägg eller en stabil möbel;
- Bromsarna skall vara aktiverade
- Fotplattorna bör fällas upp;
- Användaren kan sedan placera sig i rullstolen;
- Fotplattorna ska sedan tryckas ned och fötterna vila på dem framför hälbanden.



TA SIG UR RULLSTOLEN PÅ EGEN HAND

(Fig. 5)

- Bromsarna skall vara aktiverade
- De gångjärnsförsedda fotplattorna bör vikas upp;
- Med ena handen på ena handstödet, bör personen böja sig något framåt för att föra kroppsvikten framåt i sätet, och med båda fötterna stadigt på marken, med ena foten tydligt bakåt, komma i upprätt position.



⚠ VARNING!

- Stå inte på fotplattorna när du står upp, eftersom rullstolen kan tippa. Det är enklare och säkrare att komma ner i rullstolen om du viker upp fotplattorna och svänger dem åt sidan eller tar bort dem från rullstolen.
- Aktivera alltid bromsarna vid transfer till eller från rullstolen.

Inställningar/funktioner – Tramprör

TRAMPRÖR

Med hjälp av tramprör kan ledsagaren tippa upp rullstolen över olika hinder. Trampa på röret för att kunna skjuta stolen över exempelvis en trottoarkant eller ett trappsteg (Fig. 6).



⚠ VIKTIGT!

Sunrise Medical rekommenderar starkt bruk av tramprör på modeller med transporthjul och även på alla modeller där stolen i huvudsak körs av ledsagare, eftersom skada på ryggstödsrören kan inträffa om du drar tillbaka dem för att tippa tillbaka rullstolen, för att klara hinder.

Inställningar/funktioner – Bromsar

BROMSAR

Rullstolen är utrustad med två bromsar. De verkar direkt på däck. Du låser bromsarna genom att skjuta fram bägge bromsspakarna till ändläget. Du lossar bromsarna igen genom att dra tillbaka spakarna till utgångsläget.

Bromskraften minskar om:

- däckerna är slitna
- däcktrycket är för lågt
- däckerna är våta
- bromsarna är feljusterade

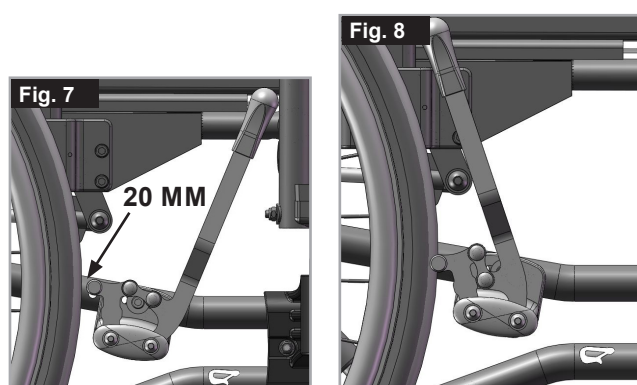
Bromsarna har inte utformats för användning som broms för en rullande rullstol. De får aldrig användas för att bromsa en rullstol i rörelse. Bromsa alltid med hjälp av drivringarna. Se till att mellanrummet mellan däck och broms överensstämmer med specifikationerna. Behöver det justeras lossar du på skruven och ställer in rätt mellanrum. Dra därefter åt skruven (Fig. 7-8).

⚠VIKTIGT!

Efter varje drivhjuljustering ska bromsmellanrummet kontrolleras och justeras vid behov.

Montering av bromsen för nära hjulet medför att det blir tyngre att manövrera. I värsta fall kan bromsspakförlängaren då gå av.

Om du stödjer dig på bromsspakförlängaren under förflyttning kan spaken gå av! Vattenstänk från däckerna kan medföra att bromsen inte fungerar.



VÅRDARBROMSAR

Med vårdarbromsar kan en ledsagare bromsa rullstolen på ett säkert och bekvämt sätt.

De kan även låsas med hjälp av en låsspak (1) för att förhindra rullning.

Spaken måste snäppas fast på plats.

Vårdarbromsar påverkas inte av lufttrycket inne i däckerna (Fig. 9).



⚠VARNING!

- Vårdarbromsar får bara justeras av en auktoriserad återförsäljare.
- Använd alltid de 2 vårdarbromsarna samtidigt för att garantera kontroll på körriktning!
- Vårdarbroms kan användas som en dynamisk broms för att stoppa rullstolen under körning.
- För att säkra rullstolen under ett kort eller långt stopp, eller under transfer, ska bromsen alltid aktiveras.

Inställningar/funktioner – Fotplattor

FOTPLATTOR:

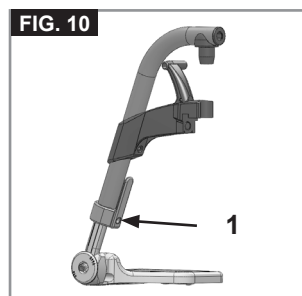
Fotplattorna kan fällas upp för att göra det enklare att förflytta sig till/från stolen.

SÄNKA NER VID LÅNGA UNDERBEN:

Om du har långa underben kan fotstödet sänkas till lämplig nivå med hjälp av skruvarna (1). Lossa på skruvarna, tryck rören till önskat läge och dra åt skruvarna igen (se avsnittet om åtdragningsmoment). Det måste alltid finnas ett mellanrum på 2,5 cm mellan fotplattorna och marken, (Fig. 10).

BENSTÖD OCH SPÄRRHAKE

Benstöden kan svängas inåt under sitsunderlaget eller utåt. När du sätter fast benstöden ska fotplattorna peka inåt eller utåt. Vrid sedan benstödet inåt eller utåt tills det låses fast på plats. Ta bort det genom att dra i spaken (1), sväng fotplattan inåt eller utåt och lyft därefter ut benstödet. Se till att benstödet sitter korrekt fastlåst i läge, (Fig. 11).



⚠VIKTIGT!

- Använd inte benstöden för att lyfta eller bära rullstolen.
- Använd inte fotplattorna när du stiger i eller ur rullstolen. Dessa bör fällas upp på förhand eller så ska benstödet svängas utåt så långt som möjligt.

Inställningar/funktioner - Stöd för amputerade

STÖD FÖR AMPUTERADE

(Fig. 12).

Amputationsstödet kan efter behov ställas in i alla riktningar.



FIG. 12

Inställningar/funktioner - Vinkelställbara benstöd

INSTÄLLNINGAR/FUNKTIONER HÖJA BENSTÖD

(Fig. 13-15)

För att ta bort, dra i spaken (1), sväng fotplattan utåt och lyft sedan benstödet utåt.

HÖJDJUSTERING:

Underbenets längd kan justeras enligt behov genom att lossa skruven (2). Justera lämplig längd och dra åt skruven igen.

⚠VIKTIGT!

Avståndet mellan fotplattan och marken ska vara minst 40 mm.

VINKELINSTÄLLNING:

Tryck spaken (3) nedåt med ena handen medan du stödjer benstödet med den andra handen för att minska belastningen. När lämplig vinkel uppnåtts, släpp spaken så låses benstödet i ett av de förinställda lägena.

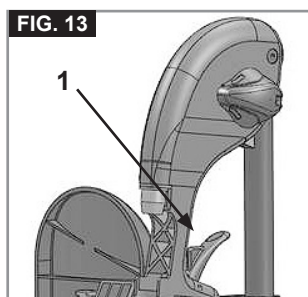


FIG. 13

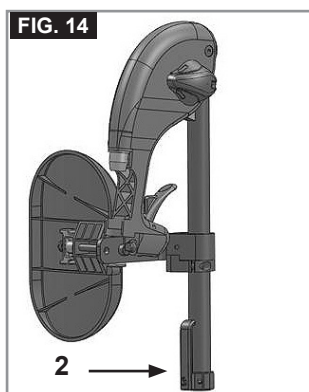


FIG. 14

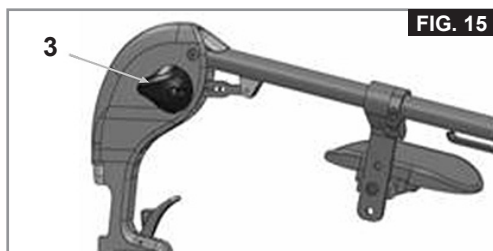


FIG. 15

JUSTERING AV VADPLATTA

(Fig. 16).

Vadplattan kan justeras enligt följande:

Höjd: Öppna bult (4) och flytta fasthållaren till önskad position. Genom att rotera fästet kan även vinkeln justeras.

Djup: Öppna bult (5) och flytta det mjuka skyddet till önskad position.

Bredd: Öppna bult (5) och positionera distanshållare (6) bakom plattan, till önskad position.

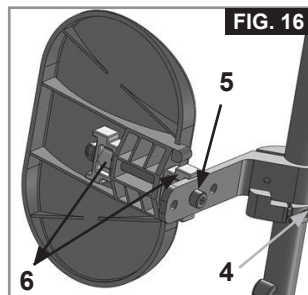


FIG. 16

⚠VARNING!

- Håll händerna borta från den justerbara mekanismen mellan ramen och de rörliga delarna av benstödet, medan du höjer eller sänker benstödet.
- Se alltid till att fästena är säkrade.
- Benstöden får inte användas för att lyfta eller bära rullstolen.
- Risk för att du fastnar med fingrarna! Håll inte händerna nära justeringsmekanismen mellan ram och fotstödet rörliga delar medan du justerar fotstödet.

Inställningar/funktioner - Länkhjul

LÄNKHJUL, LÄNKHJULSPLATTOR, GAFFLAR

Rullstolen kan börja "dra" något åt höger eller vänster, eller länkhjulen börja wobbla. Här följer några möjliga orsaker:

- Felaktig hjulinställning för framåt- och/eller bakåtkörning.
- Felaktig inställning av länkhjuls vinkeln.
- Felaktigt länkhjul och/eller felaktigt lufttryck i drivhjul; hjulen rullar inte lätt.
- Rullstolen rör sig inte rakt fram om länkhjulen inte blivit rätt justerade.

⚠VARNING!

- Länkhjulen ska alltid ställas in av en auktoriserad återförsäljare.
- Brossen ska kontrolleras varje gång som drivhjulens läge har ändrats.

Inställningar/funktioner – Länkhjulsadapter

HÖJDJUSTERING:

Sitsens höjd bestäms genom länkhjulet och drivhjulets position. Ställ in sitshöjden genom att använda olika storlekar på drivhjul och genom att ändra drivhjulens och länkhjulens läge samt med hjälp av distansbrickor.

⚠VIKTIGT!

- Efter justering av sitshöjden, ska alla skruvar dras åt igen.
- Länkhjulet vinkel ska ställas in på 90°.
- Därför bör främre och bakre säteshöjden alltid vara lika.

Inställningar/funktioner - Ryggstöd

KOMFORTRYGG

(Fig. 17 till 19).

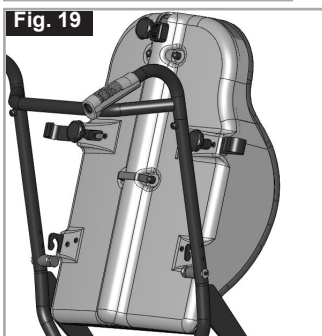
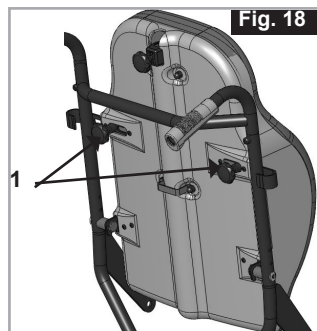
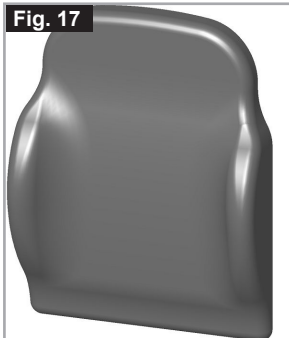
Ryggstödet erbjuder lateralt stöd och bekvämt säte under långa tidsperioder.

Ryggskyddet kan avlägsnas genom att vrida knapparna (1) och trycka dem utåt. Genom att flytta ryggskyddet framåt-uppåt frigörs det från styrkrokarna.

Sittdynan är festsatt med kardborrband och kan också avlägsnas.

⚠VARNING!

När du korrigerar ryggstödet se till att ryggskyddet är korrekt fäst i krokarna och korrekt stängt.



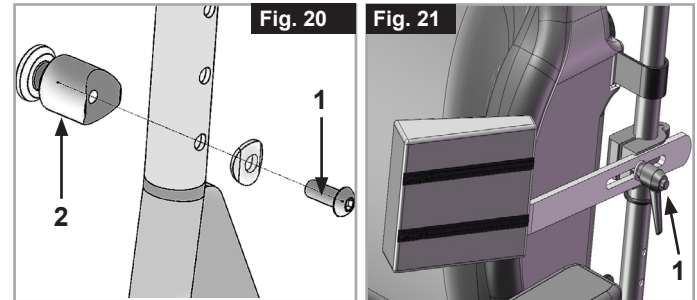
Inställningar/funktioner - Ryggstöd

HÖJDJUSTERBART RYGGSTÖD

Ryggstödet höjd kan ställas in på 4 olika lägen. Frigör och avlägsna bultarna (1), och avlägsna styrkrokarna (2) till önskad position. Dra åt bultarna igen. (Fig. 20).

BÅLSTÖD

Bålstödet kan justeras i vinkel, djup och höjd. Den kan svängas åt sidan genom att lossa spaken (1). (Fig. 21)



RYGGSTÖDSVINKLING (0° - 35°)

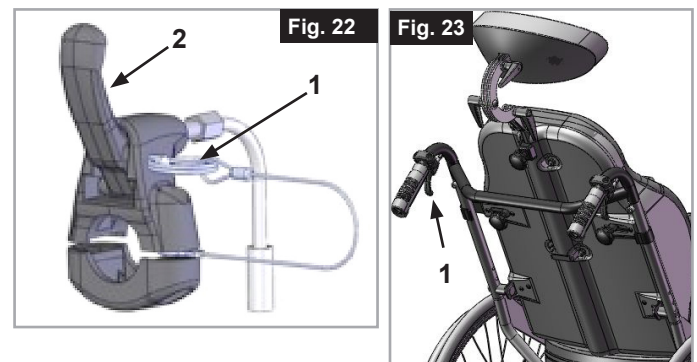
⚠VIKTIGT!

Före inställning ta bort låsbult (1), (Fig. 22).

Genom att dra i spaken (2), kan du frigöra ryggstödet och sedan flytta det till önskat läge. Genom att frigöra spaken (1) kommer ryggstödet automatiskt att låsas på plats (Fig. 23).

⚠VARNING!

- Det rekommenderas att ryggvinklingen används tillsammans med tippskydd (max markfrigång 3 – 5 cm).
- Justera aldrig ryggstödsvinkeln om rullstolen befinner sig i en backe.
- Säkerställ att låsbulten sätts tillbaka på plats.



Inställningar/funktioner - Sidoskydd

HÖJDJUSTERBARA ARMSTÖD

Justera höjden genom att dra i spaken (1) och skjut armstödet till önskad höjd. Se till att spaken (1) låses tillbaka i läge när det är klart. Ta bort sidoskyddet helt genom att trycka på spaken (2). När du monterar sidoskyddet, ska du också trycka på spaken (2). Kontrollera alltid att sidoskyddet spärrats i rätt läge i hållaren. (Fig. 24).

VARNING!

Det finns risk för att dina fingrar fastnar när du justerar armstödens höjd.

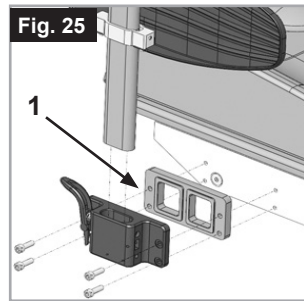
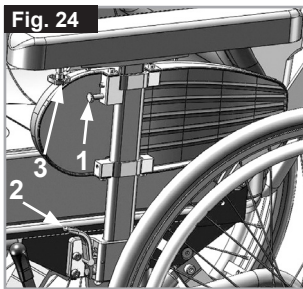
Armstödet position kan ändras genom att öppna stjärnknappen (3) och flytta dynan till önskad position, (Fig. 24).

Se till att knappen är tillräckligt åtdragen!

För att öka sätets bredd med 2 cm kan innerdynan avlägsnas och/eller 2 distanshållare (1) (Fig. 25) läggas till.

VIKTIGT!

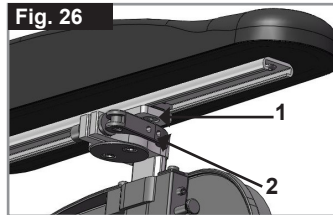
När du breddar armstödet måste drivhjulet också flyttas ut (Fig. 25).



Inställningar/funktioner – Hemiplegiska armstöd

HEMIPLEGISKT ARMSTÖD

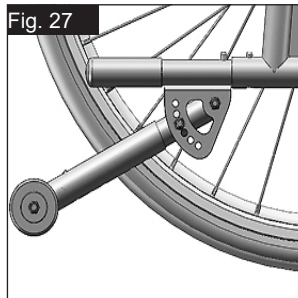
Det hemiplegiska armstödet kan justeras i såväl längd som i vinkel. Du kan justera längden genom att skjuta armstödet efter att ha lossat på de två rotationsskruvarna (1). För att justera vinkeln, öppna frigöringsspak (2) och rotera armstödet till önskad position, dra sedan åt igen (Fig. 26).



Inställningar/funktioner – Tippskydd

TIPPSKYDD

Ett tippskydd ger ökad säkerhet för en ovan användare som håller på att lära sig köra rullstolen. Tippskyddet förhindrar att rullstolen välter bakåt. Tippskyddet bör föras in till ramröret tills den första av de två fjädrarnas knoppar förs in i det första hålet i ramröret. (Fig. 27).



VARNING!

Felaktig inställning av tippskydd ökar risken för tippning bakåt. Du måste fälla tippskydden uppåt när du passerar uppför eller nedför större hinder, (som en trottoarkant), för att förhindra dem från röra marken, sväng dem sedan bakåt till normalt läge.

OBS:För inte in de båda knopparna i tippskyddet i ramröret eftersom detta kan skada tippskyddet och minska effektiviteten. Genom att trycka på den andra exponerade frigöringsknappen, kan säkerhetshjulen fällas uppåt eller avlägsnas. Det måste alltid finnas ett mellanrum på 3 till 5 cm mellan röret och marken. Du måste svänga säkerhetshjulen uppåt när du rör dig upp- eller nedför större hinder (som trottoarkanter) så att de inte tar i marken. Sväng därefter säkerhetshjulen tillbaka till normalläget (Fig. 27).

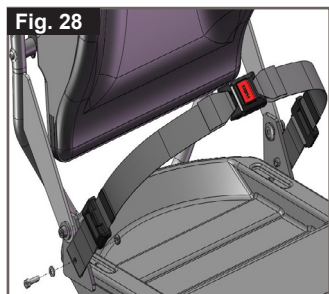
Inställningar/funktioner – Positioneringsbälte

MIDJEBÄLTE



Om rullstolen är utrustad med positioneringsbälte se till att du använder det och att det är rätt justerat.

Positioneringsbältet ska sitta monterat på rullstolen så som visas på bilderna. Det består av två halvor. Bältet sitter fast med hjälp av sitsstödet befintliga fästskruv, som går genom öglan på bältet. Bältet löper under den bakre delen av sidopanelen. (Fig. 28).



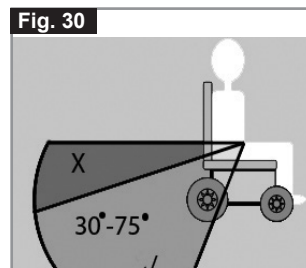
Justera bältet så att spännena befinner sig i mitten av sitsen.

Justera midjebältet enligt följande för att passa användarens behov:

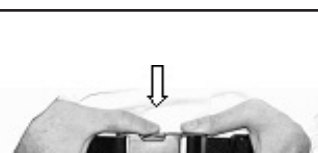
För att öka bälteslängden	För att minska bälteslängden	✓
Du förlänger bältet genom att mata ut mer bälte genom glidspännena och genom hanen på fästspännet.	Mata tillbaka bältet genom hanen på fästspännet samt glidspännena.	Se till att bältet inte är snott vid hanen på fästspännet.

Då positioneringsbältet satts fast ska du kontrollera avståndet mellan bältet och användaren; när bältet är korrekt justerat ska du nått och jämnt få plats med ena handflatan. (Fig. 29)

Normalt ska positioneringsbältet sitta så att remmarnas utgångsvinkel är nära 45°, och rätt justerat ska det hindra användaren från att glida nedåt i sitsen. (Fig. 30).



Så här knäpper du spännet:
Tryck fast hanen på fästspännet i honspännet.



Så här lossar du bältet:
Tryck på hanens framsida och tryck mot centrum / tryck på knappen i honspännet och dra försiktigt isär.

KUNDRÅD



- Enbart positioneringsbältet ger inte tillräckligt med skydd då rullstolen transporteras i ett fordon med användaren sittande i. Under färd ska även fordonets eget trepunktsbälte användas.
- Före användning rekommenderar vi att tillse att positioneringsbältet är korrekt justerat och ej uppvisar onormalt slitage, samt att spännet går i lås ordentligt.
- Om du inte ser till att positioneringsbältet är säkrat och justerat för bruk kan detta orsaka allvarlig skada för användaren, t.ex. kan lösa remmar medföra att användaren glider ner i stolen och riskerar kvävas.

UNDERHÅLL:

Kontrollera regelbundet om midjebälte eller fästdelar uppvisar tecken på slitage eller skador. Byt ut eventuella slitna delar. Rengör positioneringsbältet med varmt vatten och diskmedel, och låt torka.

⚠ FARA!

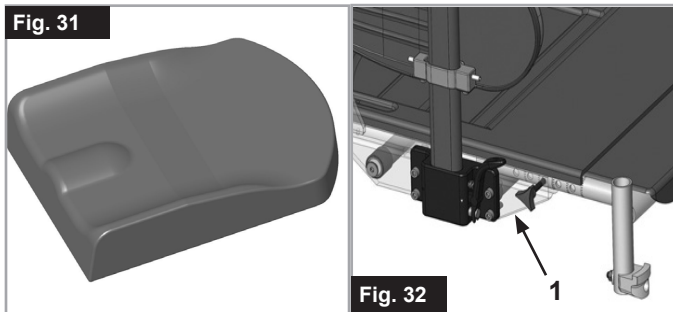
- Justera midjebältet så att det passar slutanvändaren enligt uppgifterna ovan. Sunrise Medical rekommenderar också att längden och passformen för bältet kontrolleras regelbundet för att minska risken för slutanvändaren att oavsiktligt återjustera bältet till en för stor längd.
- Om du är tveksam kring bruk och drift av sitsbälte, kontakta din sjukvårdspersonal, återförsäljare av rullstolar,

Inställningar/funktioner - Sits**COMFORT-SITSEN (FIG. 31).**

Komfortsätet är en anatomiskt skapad sittdyna och erbjuder komfortabel sätesposition under en lång tidsperiod. Sittdynan är festsatt med kardborrband och kan också avlägsnas. Överdraget kan tvättas (se instruktionerna på sittdynan).

SITSDJUP (FIG. 32).

Efter att stjärnskruvarna har lossats (1) på båda sidorna kan sitsdjupet justeras i steg om 2 cm. Dessa indikeras genom markeringarna på sitsröret och på etiketten på sitsplattan. Ställ in önskat läge och spänn båda stjärnskruvarna.

**⚠ VIKTIGT!**

- Det maximala sitsdjupet (see markering och ändstopp) får ej överskridas.
- Säkerställ att stjärnskruvarna alltid är i linje med matchande hål och är helt fastspända.

JUSTERING AV SITSBREDD

Du kan utöka sitsbredden på din rullstol genom att avlägsna innerdynorna eller lägga till distanshållare (se tillvalet sidoskydd)

**JUSTERA SITSVINKELN
(0°-25° / -3 -22°)**

Före inställning ta bort låsbult (1), (Fig. 33).

Genom att dra i spaken (2) frigörs sitsen och kan ställas i önskad position., (Fig. 34). När du frigör det kan det automatiskt fixeras i ny position.

⚠ FARA!

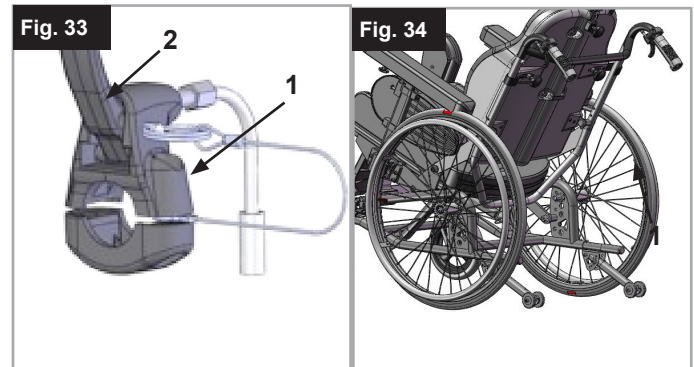
- Justera aldrig sitsvinkeln om rullstolen befinner sig i en backe.
- Den vinkeljusterade sitsen kan endast användas med tippskydd.

⚠ VARNING!

Det finns risk för att dina fingrar fastnar när du justerar armstödens höjd.

⚠ VIKTIGT!

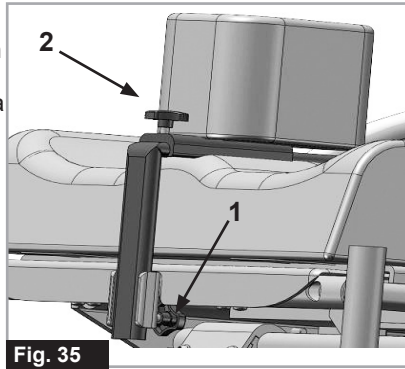
För att säkra korrekta funktioner i kablarna, får det aldrig uppstå spänning.



Inställningar/funktioner - Abduktion

ABDUKTION

Genom att lossa skruven (1) kan abduktionsklossen justeras höjdvís och genom att lossa skruvarna (2) kan den justeras på djupet eller avlägsnas, (Fig. 35).



Inställningar/funktioner - Körhandtag



HÖJDJUSTERBARA KÖRHANDTAG

Genom att lösgöra stjärnknapparna (1) kan du justera körhandtagen till en höjd som passar dig. Efter höjjustering av körhandtagen, säkerställ att stjärnknapparna (1) är åtdragna, (Fig. 36).

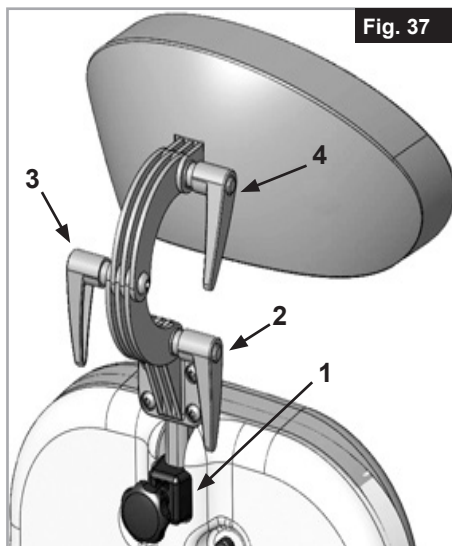


Om stjärnknapparna inte är åtdragna, kan detta resultera i skador vid lyft över hinder.

Inställningar/funktioner - Nackstöd

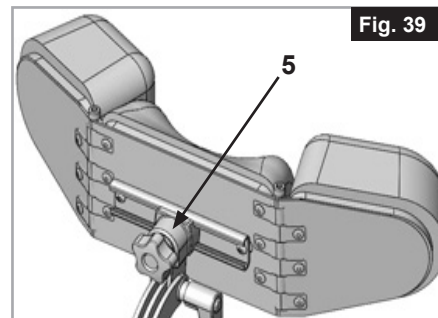
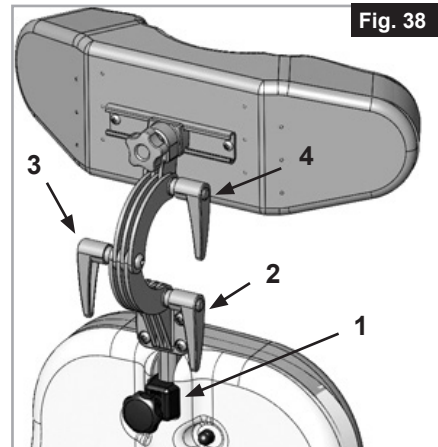
COMFORT HUVUDSTÖD

Huvudstödet kan flyttas uppåt (1), framåt och bakåt, (2-3-4). För att göra det, lösgör helt enkelt tillhörande frigöringsspakar/knoppar, justera nackstödet till önskad position, och dra åt dem igen, (Fig. 37).



3-DELAT NACKSTÖD

Huvudstödet kan flyttas uppåt (1), framåt och bakåt, (2-3-4). Centrum av nackstödet kan också justeras, (5). För att göra det, lösgör helt enkelt tillhörande frigöringsspakar/knoppar, justera nackstödet till önskad position, och dra åt dem igen, (Fig. 38-39).

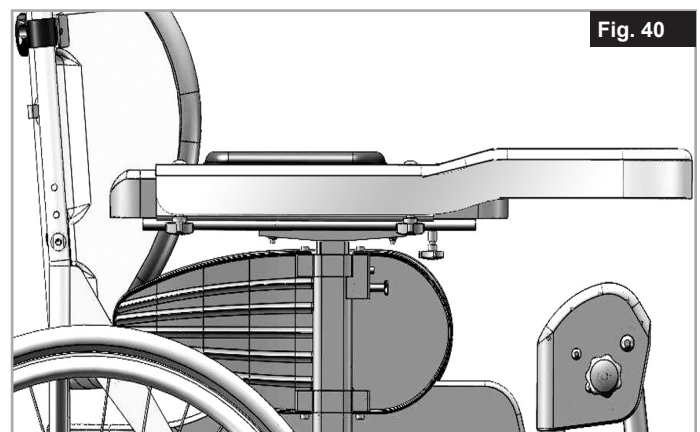


Inställningar/funktioner - Terapibord

TERAPIBORD

Bordet har en plan yta för de flesta aktiviteter. Innan brickan används måste den anpassas till sitsbredden av en auktoriserad återförsäljare.

OBS: Användaren måste sitta i rullstolen under denna justering, (Fig. 40).





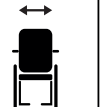





Märkskylt

MÄRKSKYLTT

Märkskylten sitter antingen på ett av sitsrören eller på ett tvärgående ramrör. Uppgifterna på den finns även på en etikett i bruksanvisningen. På märkskylten anges den exakta modellbeteckningen samt andra tekniska specifikationer. Om du behöver kontakta oss för att beställa reservdelar, eller i ett garantiärende, behöver vi följande uppgifter:

EXEMPEL

	Sunrise Medical GmbH Kahlbachring 2-4 D-69254 Malsch / Germany	 XXXX-XX-XX		
TYPE:	Wheelchair, Rollstuhl, Fauteil Roulant, Silla de Ruedas	SN XXXXXXXXXXXXXXXX		
Relax2	ISO 7176-19:2008			
 XXX kg	 max X°	 XXX mm	 XXX mm	 
MD				

Relax2

Produktnamn/SKU-nummer.



Maximalt säkerhetslutning med tipskydd monterade beror på rullstolens inställning, kroppställning och fysiska kapacitet hos användaren.



Sitsbredd.



Djup (maximum).



Maxlast.



CE-märkning.



Bruksanvisning.



Tillverkningsdatum.



Serienummer.



Denna symbol betyder medicinsk utrustning.




Tillverkarens adress

ISO 7176-19:2008

Krocktestats i enlighet med:
ISO 7176-19:2008.

Beroende på vår policy med kontinuerliga förbättringar inom design av våra scootrar, kan produktspecifikationerna variera något från de illustrerade exemplen. Alla vikter/dimensioner och prestandadata är ungefärliga och är endast riktgivande. Sunrise Medical följer Förordning om medicintekniska produkter (EU) 2017/745.

 Alla rullstolar ska användas i enlighet med tillverkarens riktlinjer.

Sunrise Medical GmbH
Kahlbachring 2-4
69254 Malsch/Heidelberg
Deutschland
Tel.: +49 (0) 7253/980-0
Fax: +49 (0) 7253/980-222
kundenservice@sunrisemedical.de
www.SunriseMedical.de

Dagliga kontroller

VIKTIGT!

Som användare, är du första person att märka möjliga defekter. Vi rekommenderar därför att du före varje användning, kontrollerar artiklarna i följande lista:

- Kontrollera korrekt däcktryck
- Kontrollera att bromsarna fungerar korrekt
- Kontrollera att alla löstagbara delar är riktigt monterade t.ex. armstöd, benstöd, snabbkopplingsaxel osv.
- Kontrollera om det finns synliga skador, t.ex. på ramen, ryggstöd, hängmattesits och ryggstöd, hjul, fotplatta osv
- Vänligen kontakta din HMC om det finns någon skada eller tekniskt fel.

Däck och montering

DÄCK OCH MONTERING

Massiva däck är monterade som standard från fabriken.

Om luftdäck är monterade ska du säkerställa att du upprätthåller ett korrekt lufttryck, eftersom detta kan påverka rullstolens prestanda. Om däcktrycket är för lågt ökar rullmotståndet och det krävs mer kraft för att driva fram rullstolen. Lågt däcktryck påverkar även manöverförmågan negativt. Om trycket däremot är för högt kan däckets spricka. Det optimala däcktrycket står angivet utanpå själva däckets, (Max. 3,5 bar).

Däck kan monteras på samma sätt som för vanliga cykeldäck. Innan du sätter på en ny innerslang ska du kontrollera att fälgkanten och däckets insida är fria från främmande föremål. Kontrollera trycket sedan du satt på eller reparerat ett däck. Det är av största vikt för din säkerhet och stolens körförmåga att däcktrycket är korrekt samt att däcken är i gott skick.

Underhåll och skötsel

UNDERHÅLL

- Kontrollera däcktrycket var fjärde vecka. Titta efter däckslitage och -skador.
- Kontrollera att bromsarna låser ordentligt cirka var 4:e vecka för att se till att de fungerar korrekt och är lätta att använda.
- Du byter däck som på en vanlig cykel.
- Alla rullstolens fogar som påverkar säkerheten är utrustade med självlåsande muttrar.
- Du bör var tredje månad se till att alla muttrar är ordentligt åtdragna (se avsnittet om åtdragningsmoment).
- Säkerhetsmutter ska bara användas en gång. De ska ersättas med nya då de en gång skruvats loss.
- Använd enbart mildt hushållsrengöringsmedel att rengöra rullstolen med. Använd endast tvål och vatten när du rengör hängmattesitsen.
- Om din rullstol skulle bli våt, torka den då efter användning, för att undvika rost- och saltkorrosion.
- Du bör applicera små mängder symaskinsolja på snabbkopplingsaxlarna ungefär var åttonde vecka. Vi rekommenderar att du tar rullstolen till din auktoriserade återförsäljare var 12 månad för översyn; frekvensen är emellertid beroende av hur ofta och på vilket sätt stolen används.

VIKTIGT!

Sand och havsvatten (eller vägsalt på vintern) kan skada hjullagren. Sand and sea water (or salt in the winter) can damage the bearings of the front and rear wheels. Har stolen fått sand eller salt på sig ska den rengöras noggrant.

Följande delar kan avlägsnas och skickas till tillverkare / återförsäljare för reparation:
Drivhjul, Armstöd, Benstöd, Tippskydd. Dessa delar finns som reservdelar. Fler detaljer finns i sprängskissen.

HYGIEN VID ÅTERANVÄNDNING:

När stolen ska återanvändas, skall den färdigställas noggrant och och torkas och behandlas med spraydesinficering på alla ytor som kan komma i kontakt med användaren.

När du gör detta bör du använda ett medel för snabb alkoholdesinficering för medicinska produkter och medicinska inventarier när du behöver en snabb effekt. Följ tillverkarens anvisningar för det desinfektionsmedel du använder.

I allmänhet kan en säker desinficering inte garanteras i fogar. Vi rekommenderar därför att du färdigställer sits och ryggstöd som förorenats med mikrobakterier med aktiva medel enligt § 6 infektionsskyddslagen.

FÖRVARING

Lagra/förvara rullstolen på en torr plats.

Felsökning

RULLSTOLEN DRAR ÅT NÅGOT HÅLL

- Kontrollera däcktryck (endast luftdäck)
- Kontrollera att hjulen snurrar obehindrat (lager, axlar)
- Kontrollera att länkhjulens vinklar är korrekt inställda och har korrekt markkontakt
- Se till att länkhjulens lager roterar fritt

LÄNKHJULEN BÖRJAR WOBBLA/FLADDRA

- Kontrollera länkhjulsvinkeln
- Se till att alla skruvar är åtdragna, dra åt vid behov (se avsnittet om åtdragningsmoment)
- Kontrollera att bågge länkhjulen har ordentlig markkontakt

RULLSTOLEN GNISSLAR OCH SKRAMLAR

- Se till att alla skruvar är åtdragna, dra åt vid behov (se avsnittet om åtdragningsmoment)
- Applicera sparsamt med smörjmedel på de ställen där rörliga delar kommer i kontakt med varandra

RULLSTOLEN BÖRJAR WOBBLA/FLADDRA

- Kontrollera länkhjulsvinklarna
- Kontrollera däcktrycket
- Se till att bågge drivhjulen har samma inställning

DÄMPNING OCH KABLAR



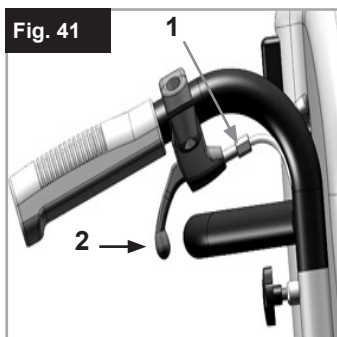
För att kunna undvika försämrad funktion, behöver du se till att kablarna aldrig är för snäva.

PROBLEM:

Spaken är lös

LÖSNING:

Lossa justeringskruven (1) tills spaken (2) inte kan röras, (Fig. 41).



SITSENS VINKELINSTÄLLNING

PROBLEM:

Sitsen hamnar ur position, utan att dämpare frigörs

ORSAK:

Bowden-kablar på stötfångaren är för åtdragna.

LÖSNING:

Ställ in Bowden-kablar via justeringskruven(1)



Skydda Bowden-kabeln från skada.
Skulle den bli skadad, måste den ersättas.

Avfallshantering/återvinning av material

OBS: Om du fått disponera rullstolen utan kostnad så kanske den inte tillhör dig. Även om det inte längre krävs, följ alla instruktioner som ges av organisationen som levererar rullstolen för returnera till dem.

Följande information beskriver materialen som används i rullstolen i relation till avfallshantering eller återvinning av rullstolen och dess förpackning. Lokala specifika avfallshandlings- eller återvinningsbestämmelser kan vara i kraft och dessa bör övervägas vid avfallshantering. (Detta kan inkludera rengöring eller borttagning av föroreningar från rullstolen innan avfallshantering).

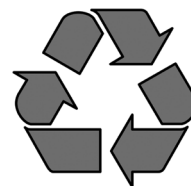
Stål: Infästningar, QR-axel, sidorammar, armstöd, ram, benstöd, körhandtag.

Plast: Handtag, länkhjulsgafflar, rörpluggar, länkhjul, fotplattor, armstödsplattor och 12" hjul/däck, hjul, sidoskydd.

Förpackningsmaterial: Låg densitetpolytenväska, kartong

Klädsel: Vävt polyester med PVC coatings och expanderat förbränningsmodifierat skum.

Avfallshantering eller återvinning bör göras genom en licensierad agent eller auktoriserad plats för avfallshantering. Alternativt kan din rullstol returneras till din återförsäljare för avfallshantering.



Wstęp

Szanowni Użytkownicy,

Cieszymy się bardzo, że Wybraliście Państwo wysokiej jakości produkt SUNRISE MEDICAL.

Niniejsza instrukcja użytkownika zawiera wskazówki i sugestie, które sprawią, że Wasz nowy wózek inwalidzki stanie się godnym zaufania i niezawodnym partnerem w życiu codziennym.

Utrzymywanie bliskich kontaktów z klientami wiele znaczy dla Sunrise Medical. Chcielibyśmy informować Was na bieżąco o nowościach i pracach rozwojowych w naszej firmie. Bycie blisko z naszymi klientami oznacza: szybki serwis, jak najmniej papierkowej roboty oraz bliską współpracę z klientami. Gdy potrzebujesz części zamiennych czy akcesoriów, albo gdy masz jakieś pytania na temat swojego wózka inwalidzkiego - jesteśmy do Twojej dyspozycji.

Pragniemy, aby użytkownicy byli zadowoleni z naszych produktów i obsługi. W Sunrise Medical stale pracujemy nad tym, aby jeszcze bardziej ulepszyć nasze produkty. Dlatego też, w naszej ofercie mogą następować zmiany dotyczące wzornictwa, technologii i wyposażenia. W konsekwencji, zawarte w niniejszej instrukcji dane i ilustracje nie mogą stanowić podstawy do reklamacji.

SUNRISE MEDICAL posiada certyfikaty DIN EN ISO 9001, ISO 13485 i ISO 14001 systemu zarządzania.

CE Jako producent, SUNRISE MEDICAL deklaruje, że lekkie wózki spełniają wymagania rozporządzenia UE w sprawie wyrobów medycznych (2017/745).

UWAGA:

Ogólne porady dla użytkownika.

Nieprzestrzeganie niniejszych instrukcji może spowodować urazy, uszkodzenie produktu lub szkody dla środowiska naturalnego.

Informacja dla użytkownika i/lub pacjenta, że wszelkie poważne zdarzenia z udziałem tego produktu należy zgłaszać producentowi oraz odpowiedniej instytucji w państwie członkowskim, w którym znajduje się użytkownik i/lub pacjent.

Spersonalizowane, indywidualne opcje specjalne w ramach B4M

Firma Sunrise Medical zdecydowanie zaleca, aby przed pierwszym użyciem produktu B4M użytkownik zapoznał się ze wszystkimi informacjami dostarczonymi wraz z produktem B4M. W ten sposób produkt B4M będzie użytkowany zgodnie z jego przeznaczeniem i zaleceniami producenta.

Sunrise Medical zaleca również, aby informacje o użytkowniku nie zostały zniszczone, a powinny być przechowywane w bezpiecznym miejscu do wykorzystania w przyszłości.

Zestawy wyrobów medycznych

Ten wyrób medyczny może łączyć się z co najmniej jednym innym wyrobem medycznym lub innym produktem. Informacje o możliwych zestawach można znaleźć na stronie www.Sunrise-Medical.pl. Wszystkie wymienione zestawy zostały sprawdzone pod kątem spełniania ogólnych wymogów dotyczących bezpieczeństwa i działania opisanych w załączniku I, punkt 14.1 rozporządzenia w sprawie wyrobów medycznych (2017/745).

Wskazówki dotyczące łączenia, np. montażu, można znaleźć na stronie www.Sunrise-Medical.pl.

W sprawie pytań dotyczących używania, konserwacji lub bezpieczeństwa wózków prosimy o kontakt z lokalnym autoryzowanym sprzedawcą SUNRISE MEDICAL.

Jeżeli w Twoim rejonie nie ma autoryzowanego sprzedawcy, prosimy kierować pytania pisemnie lub telefonicznie bezpośrednio do Sunrise Medical.

Sunrise Medical Poland
Sp. z o.o.ul. Elektronowa 6,
94-103 Łódź
Polska
Telefon: + 48 42 275 83 38
Fax: + 48 42 209 35 23
E-mail:
pl@sunrisemedical.de
Sunrise-Medical.pl



WAŻNE:

ZABRANIA SIĘ UŻYTKOWANIA WÓZKA BEZ PRZECZYTANIA I ZROZUMIENIA NINIEJSZEJ INSTRUKCJI.

Przeznaczenie

Wózki są przeznaczone wyłącznie dla użytkowników pozbawionych możliwości chodzenia lub o ograniczonej zdolności poruszania się, do ich osobistego użytku jako samojedne i poruszane przez inną osobę (popychane przez osobę towarzyszącą) w domu i na zewnątrz.

Oznaczenie ograniczenia wagi (dotyczy użytkownika oraz akcesoriów przymocowanych do wózka łącznie) znajduje się na tabliczce z numerem seryjnym, przymocowanej do belki poprzecznej lub belki stabilizatora pod siedzeniem.

Gwarancja jest ważna wyłącznie wtedy, gdy produkt jest używany zgodnie z przeznaczeniem, we właściwych warunkach.

Zakładany okres użytkowania wózka wynosi 5 lat. **NIE NALEŻY MONTOWAĆ CZĘŚCI NIESTANDARDOWYCH** innych niż oficjalnie zatwierdzone przez firmę Sunrise Medical.

Zakres stosowania

Wskazania

Wiele wariantów dopasowania i modułowa konstrukcja wózka zapewnia możliwość jego używania przez osoby niemogące chodzić lub o ograniczonej zdolności poruszania się z powodu:

- paraliżu
- utraty lub amputacji kończyny (nogi),
- wady lub deformacji kończyny,
- przykurczu lub uszkodzenia stawów,
- chorób serca i układu krążenia, zaburzeń równowagi, kacheksji, zaburzeń lub schorzeń neurologicznych, dystrofii mięśniowej, hemiplegii oraz z przyczyn geriatrycznych (u osób wcięż władających górną częścią ciała).

Przeciwwskazania

Wózka nie wolno używać bez obecności osoby towarzyszącej w przypadku:

- zaburzeń percepcji;
- zaburzeń równowagi;
- braku rąk, chyba że z pomocą opiekuna;
- przykurczu lub uszkodzenia stawów w obu ramionach;
- braku możliwości siedzenia.





Przy rozważaniu zakupu wózka należy brać pod uwagę wymiary ciała, masę, konstrukcję fizyczną i psychiczną, wiek osoby oraz warunki życia i otoczenia.

Spis treści

Spis treści	152
Ogólne zalecenia bezpieczeństwa i ograniczenia jazdy	153
Gwarancja	155
Transport	156
Posługiwanie się wózkiem	158
Możliwości dodatkowe - zderzaki do pokonywania przeszkód	158
Wyposażenie opcjonalne - blokady kół	158
Opcje dodatkowe - Podnóżki	159
Możliwości dodatkowe - Wspornik dla osób z amputowaną kończyną	160
Wyposażenie dodatkowe - podnoszone podnóżki	160
Opcje dodatkowe - Kółka przednie	160
Możliwości dodatkowe - łącznik kółka	161
Możliwości dodatkowe - oparcie	161
Możliwości dodatkowe - osłona boczna	162
Możliwości dodatkowe - podłokietniki hemiplegiczne	162
Możliwości dodatkowe - kółka zabezpieczające	162
Możliwości dodatkowe - pas biodrowy	163
Możliwości dodatkowe - siedzisko	164
Możliwości dodatkowe - Odwodzenie	165
Możliwości dodatkowe - uchwyty do popychania	165
Możliwości dodatkowe - zagłówki	165
Możliwości dodatkowe - stolik terapeutyczny	165
Tabliczki znamionowe	166
Kontrole codzienne	166
Opony i ich montaż	167
Konserwacja i utrzymanie	167
Usuwanie usterek	168
Usuwanie i recykling materiałów	168

Definicje

3.1 Definicje terminów stosowanych w niniejszym podręczniku

Termin	Definicja
 NIEBEZPIECZEŃSTWO!	Porada dla użytkownika dotycząca potencjalnego ryzyka odniesienia obrażeń lub śmierci w przypadku niezastosowania się do porady
 OSTRZEŻENIE!	Porada dla użytkownika dotycząca potencjalnego ryzyka odniesienia obrażeń w przypadku niezastosowania się do porady
 UWAGA!	Wskazówka dla użytkownika dotycząca potencjalnego ryzyka uszkodzenia sprzętu w przypadku niezastosowania się do wskazówek
UWAGA:	Porada ogólna lub najlepsze zalecane działanie
	Odniesienie do dokumentacji dodatkowej

UWAGA:

Wózki przedstawione i opisane w tej instrukcji mogą nie odpowiadać we wszystkich szczegółach danemu modelowi wózka. Jednakże wszystkie instrukcje obowiązują w całości, bez względu na różnice w szczegółach.

Producent zastrzega sobie prawo do zmian masy, wymiarów i innych parametrów technicznych zawartych w instrukcji, bez uprzedniego powiadomienia. Wszystkie wartości, wyniki pomiarów i wydajności zawarte w instrukcji są przybliżone i nie są częścią charakterystyki technicznej wózka.

UWAGA:

W odpowiednim miejscu należy zanotować adres i numer telefonu lokalnego punktu serwisowego.

W przypadku uszkodzenia należy skontaktować się z tym punktem i postarać się przedstawić wszystkie ważne szczegóły, co przyspieszy udzielenie pomocy.

Podpis i pieczęć dystrybutora:

Ogólne zalecenia bezpieczeństwa i ograniczenia jazdy

Konstrukcja i zastosowane rozwiązania techniczne wózka zapewniają maksymalne bezpieczeństwo jego użytkowania. Produkt spełnia obowiązujące międzynarodowe normy bezpieczeństwa.

Użytkownik może narazić się na ryzyko poprzez nieprawidłowe użytkowanie wózka. Dla własnego bezpieczeństwa użytkownik musi bezwzględnie przestrzegać następujących zasad.

Nieprofesjonalne lub błędne zmiany i regulacje zwiększają ryzyko wypadku. Użytkownik wózka jest również uczestnikiem ruchu publicznego na ulicach i chodnikach. Obowiązują go wszystkie przepisy ruchu drogowego. Podczas pierwszej jazdy wózkiem należy zachować szczególną ostrożność. Należy zapoznać się z użytkowanym sprzętem.

Przed każdym użyciem należy skontrolować:

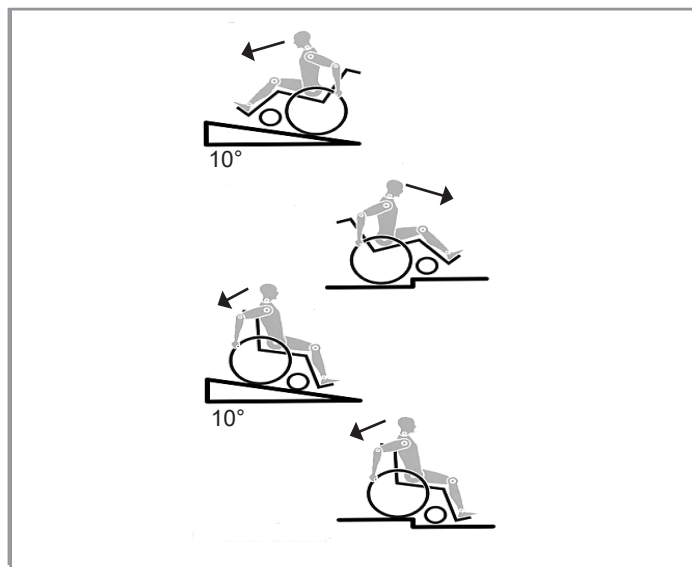
- Półosie stałe lub szybkiego montażu na tylnych kołach.
- Rzepy na siedzisku i oparciu
- Opony i ciśnienie w nich oraz blokady kół.

Przed dokonaniem jakichkolwiek regulacji wózka należy przeczytać odpowiedni rozdział instrukcji.

Wyboje i nierówne podłoże może spowodować przewrócenie wózka, szczególnie podczas jazdy pod górę lub z góry. Przy jeździe do przodu, podczas pokonywania stopni i pochyłości należy wychylić się ku przodowi.

⚠ NIEBEZPIECZEŃSTWO!

- NIGDY nie przekraczać dopuszczalnego łącznego obciążenia 145 kg (XL = 170 kg) dla użytkownika i wszystkich przewożonych elementów. Przekroczenie dopuszczalnego obciążenia może prowadzić do uszkodzenia siedziska, upadku lub przewrócenia, utraty kontroli i w konsekwencji, do poważnych obrażeń użytkownika i innych osób.
- Podczas jazdy o zmroku należy nosić jasną odzież lub odzież z odblaskami, aby użytkownik był łatwy do zauważenia przez innych. Upewnić się, że odblaski na bokach i z tyłu wózka są dobrze widoczne.
- Zaleca się również wyposażenie wózka w aktywne oświetlenie.
- Aby uniknąć upadków i niebezpiecznych sytuacji, należy przećwiczyć postugiwanie się wózkiem na poziomym podłożu i przy dobrej widoczności.
- Przy siadaniu i wstawaniu z wózka nie korzystać z podnóżków.
- Należy je odchylić i odsunąć na bok tak daleko, jak to możliwe. Zawsze należy starać się zająć pozycję najbliższą miejsca, w którym zamierza się usiąść.
- Używać wózka tylko z zachowaniem odpowiedniej ostrożności. Na przykład: unikać pokonywania przeszkód bez hamowania (schody, krawężniki), omijać szczeliny.



⚠ NIEBEZPIECZEŃSTWO!

- Blokady kół nie są przeznaczone do zatrzymywania jadącego wózka. Służą one wyłącznie do zabezpieczenia przed przypadkowym jego toczeniem się. Przy zatrzymywaniu na nierównym podłożu należy zawsze używać tych blokad, aby zapobiec stoczeniu się wózka. Zawsze zaciągać obie blokady kół; w przeciwnym wypadku wózek może przewrócić się.
- Zbadać wpływ zmiany środka ciężkości na zachowanie wózka, na przykład na pochyłościach, zboczach o różnym nachyleniu i podczas pokonywania przeszkód. Czynności te wykonywać w obecności osoby ubezpieczającej.
- Przy krańcowych ustawieniach (np. tylnych kołach przesuniętych maksymalnie do przodu) i niedbałej pozycji użytkownika może nastąpić przewrócenie wózka, nawet na równym podłożu.
- Przy wjeżdżaniu na zbocza i schody należy pochylić górną część ciała do przodu.
- Przy zjeżdżaniu ze zboczy i schodów należy pochylić górną część ciała do tyłu. Nigdy nie należy próbować wjeżdżać na pochyłość lub zjeżdżać z niej na skos.
- Należy unikać korzystania z ruchomych schodów, ponieważ może to prowadzić do poważnych obrażeń w przypadku awarii.
- Nie używać wózka na zboczach o nachyleniu większym niż 10°. Wartość bezpiecznego kąta nachylenia użytkownika wózka uzależniona jest od konfiguracji, umiejętności użytkownika oraz stylu jazdy. Maksymalna wartość kąta nachylenia nie może być określona, ponieważ umiejętności użytkownika oraz styl jazdy są niemożliwe do przewidzenia. Dlatego wartość musi zostać określona przez użytkownika przy obecności osoby towarzyszącej w celu uniknięcia przewrócenia wózka. Usilnie zaleca się, aby niedoświadczeni użytkownicy wyposażyli swój wózek w kółka zabezpieczające.
- Wyboje i nierówne podłoże może spowodować przewrócenie wózka, szczególnie podczas jazdy pod górę lub z góry.
- Nie używać wózka na błocie lub lodzie.
- Nie używać wózka tam, gdzie nie jest dozwolony ruch pieszych.
- Aby uniknąć obrażeń dłoni, podczas ruchu wózka, nie należy wkładać ich pomiędzy szprychy lub pomiędzy tylne koło i jego blokadę.
- W szczególności, przy lekkich metalowych obręczach napędowych, obręcze szybko stają się gorące podczas hamowania.
- Schody pokonywać wyłącznie z pomocą osoby towarzyszącej. Należy korzystać z takich udogodnień, jak specjalne podjazdy i windy. Jeśli takie udogodnienia nie są dostępne, wózek należy przechylić i popychać, nigdy nie przenosić (2 pomocników). Nie zaleca się przewożenia w ten sposób użytkowników o wadze przekraczającej 100 kg. Kółka zabezpieczające muszą być tak ustawione, aby nie mogły dotykać stopni. W przeciwnym wypadku może dojść do poważnego w skutkach przewrócenia wózka. Po przeniesieniu należy ponownie ustawić kółka zabezpieczające we właściwej pozycji.

⚠ NIEBEZPIECZEŃSTWO!

- Upewnić się, że osoba towarzysząca podnosi wózek, trzymając za pewnie umocowane części. Nie wolno podnosić wózka za części odłączane (np. podnóżki lub osłony boczne).
- Podczas korzystania z windy platformowej upewnić się, że kółka zabezpieczające są umieszczone poza strefą niebezpieczną.
- Podczas jazdy na nierównościach lub przenoszenia wózka (np. do samochodu) należy załączyć blokadę koła.
- Podczas korzystania z windy platformowej upewnić się, że kółka zabezpieczające są umieszczone poza strefą niebezpieczną.
- Podczas jazdy na nierównościach lub przenoszenia wózka (np. do samochodu) należy załączyć blokadę koła.
- Jeżeli jest to możliwe, podczas jazdy autem przystosowanym dla osób niepełnosprawnych, użytkownicy powinni korzystać z siedzeń w samochodzie i odpowiednich pasów bezpieczeństwa. Jest to jedyny sposób prawidłowej ochrony użytkowników pojazdu podczas wypadku.
- W zależności od średnicy i ustawienia kółek przednich, jak również położenia środka ciężkości wózka, kółka te mogą wpaść w szybkie drgania. Może to doprowadzić do blokady kółek i przewrócenia się wózka. Dlatego też należy upewnić się, że kółka przednie są prawidłowo wyregulowane (rozdział „Kółka przednie”).
- Niedoświadczonym użytkownikom zaleca się stosowanie kółek zabezpieczających.
- Kółka zabezpieczające powinny chronić wózek przed przypadkowym przewróceniem się do tyłu. Pod żadnym pozorem nie mogą one pełnić roli kółek do transportu w wąskich przejściach ani być używane do przewożenia osób wózkiem przy zdemontowanych tylnych kołach.
- Przy poszukiwaniu przedmiotów (z przodu, boku lub tyłu wózka) użytkownik powinien upewnić się, że nie wychyla się na tyle, aby zmienić położenie środka ciężkości, co grozi przewróceniem wózka lub wypadnięciem z niego. Zawieszanie dodatkowego obciążenia (plecaków i podobnych) na tylnym oparciu wózka może prowadzić do zaburzenia stabilności, zwłaszcza w przypadku korzystania z odchylonego oparcia. Może to spowodować przewrócenie się wózka do tyłu i skutkować obrażeniami.
- W przypadku osób po amputacji na poziomie uda, należy stosować w wózku kółka zabezpieczające.
- Przed rozpoczęciem użytkowania sprawdzić ciśnienie w oponach. W tylnych kołach powinno ono wynosić przynajmniej 3,5 bara (350 kPa). Maksymalne ciśnienie podano na oponie. Dźwigniowe blokady kół działają prawidłowo tylko przy odpowiednim ciśnieniu w oponach i właściwym ustawieniu (szczegóły w rozdziale „Blokady kół”).
- Uszkodzone siedzisko i oparcie, muszą być natychmiast wymienione.
- Podczas obchodzenia się z ogniem należy zachować ostrożność, a w szczególności podczas palenia papierosów. Tapicerka siedziska i oparcia, mogą się zapalić.
- Jeżeli wózek jest przez dłuższy czas narażony na bezpośrednie działanie światła słonecznego / zimna, jego części (np. rama, podnóżki, blokady kół i osłony boczne) mogą stać się bardzo gorące (>41°C) / bardzo zimne (<0°C).
- Należy zawsze upewnić się, że półosie szybkiego montażu tylnych kół są prawidłowo ustawione i zablokowane (blokujące łożyska kulkowe powinny być całkowicie widoczne przez tuleję półosi). Tylnie koło może być odłączone dopiero po wciśnięciu przycisku półosi.

⚠ UWAGA!

- Skuteczność hamulca dźwigniowego i ogólne charakterystyki jazdy zależą od ciśnienia w oponach. Jest znacznie łatwiej manewrować wózkiem, gdy opony tylnych kół są odpowiednio napompowane, a wartość ciśnienia jest jednakowa w obu oponach.
- Upewnić się, że opony wózka mają odpowiedni bieżnik!
- Należy pamiętać, że podczas jazdy po drogach publicznych wózek podlega wszystkim prawom ruchu drogowego.
- Podczas przenoszenia i regulacji wózka należy zawsze zachować ostrożność!
- Wszelkie czynności regulacyjne, do wykonania których niezbędne są narzędzia, powinny być zawsze wykonywane przez autoryzowanych sprzedawców.
- Aby uniknąć korozji i rdzewienia, wózek należy regularnie czyścić.
- Sprawdzić wkręty, nakrętki i śruby, aby upewnić się, że są one dokładnie zamocowane i żadna część wózka nie odpadnie.
- Zawsze w przypadku występowania części ruchomych istnieje niebezpieczeństwo zakleszczenia palców. Dlatego też należy zachować odpowiednią ostrożność.
- Produkty przedstawione i opisane w instrukcji mogą nie odpowiadać we wszystkich szczegółach modelowi wózka użytkownika. Jednakże wszystkie instrukcje obowiązują w całości, bez względu na różnice w szczegółach.
- Producent zastrzega sobie prawo do zmian masy, wymiarów i innych parametrów technicznych zawartych w instrukcji, bez uprzedniego powiadomienia. Wszystkie wartości, wyniki pomiarów i wydajności zawarte w instrukcji są przybliżone i nie są częścią charakterystyki technicznej wózka.

⚠ NIEBEZPIECZEŃSTWO!

NIEBEZPIECZEŃSTWO ZAKRZTUSZENIA – wózek zawiera drobne elementy, które w pewnych okolicznościach mogą grozić zakrzuszeniem się przez małe dzieci.

OKRES TRWAŁOŚCI

Zakładany okres trwałości wózka wynosi 5 lat, o ile: Jest on eksploatowany w ścisłej zgodności z przeznaczeniem. Spełnione są wszystkie wymagania serwisowe i eksploatacyjne.

GWARANCJA

TA GWARANCJA NIE OGRANICZA W ŻADNYM STOPNIU INNYCH PRAW KLIENTA.

Sunrise Medical* oferuje właścicielom wózków gwarancję (jej szczegóły określają warunki gwarancji) obejmującą następujące kwestie:

Warunki gwarancji

1. Jeżeli dowolna część wózka wymaga naprawy lub wymiany w wyniku ujawnienia wady fabrycznej lub materiałowej w okresie 24 miesięcy (5 lat dla ramy i krzyżaka) od daty dostawy do klienta, część ta zostanie naprawiona lub wymieniona nieodpłatnie. (Akumulatory są objęte 12-miesięczną gwarancją, o ile przestrzegany jest odpowiedni harmonogram ich konserwacji).
2. Aby skorzystać z gwarancji, należy skontaktować się z Sunrise Medical i przedstawić szczegółowy opis problemu. Jeżeli wózek będzie użytkowany poza obszarem działalności wyznaczonego autoryzowanego sprzedawcy Sunrise Medical, naprawę i wymianę przeprowadzi inny podmiot wyznaczony przed producenta. Napraw musi dokonać serwis (sprzedawca) wyznaczony przez Sunrise Medical.
3. Części wymienione lub naprawione w ramach tej gwarancji są objęte gwarancją zgodną z tymi warunkami obowiązującą przez pozostały okres gwarancyjny wózka określony w punkcie 1.
4. Oryginalne części, których koszt poniósł klient, są objęte 12-miesięczną gwarancją (od daty montażu) zgodną z tymi warunkami.
5. Elementy zużywalne, np. podkładki, opony, wewnętrzne rurki lub podobne, nie są objęte gwarancją poza przypadkami, gdy ich przedwczesne zużycie jest bezpośrednim następstwem wady fabrycznej.
6. Niniejsza gwarancja nie obowiązuje, jeśli naprawa lub wymiana części jest niezbędna ze względu na jeden z następujących powodów:
 - a) Produkt albo część nie były odpowiednio konserwowane lub serwisowane zgodnie z zaleceniami producenta, jak przedstawiono w Instrukcji użytkownika i/lub Instrukcji serwisowej.
 - b) Zastosowano akcesoria, które nie są określone jako oryginalne.
 - c) Produkt lub jego część uległy uszkodzeniu wskutek zaniedbania, wypadku lub niewłaściwego użycia.
 - d) Dokonano modyfikacji wózka lub części niezgodnie ze specyfikacjami producenta.
 - e) Naprawę przeprowadzono, zanim nasz dział obsługi klienta otrzymał informacje o okolicznościach wystąpienia usterki.
7. Niniejsza gwarancja podlega prawu kraju, w którym produkt został zakupiony od Sunrise Medical*

* Oznacza placówkę Sunrise Medical, w której nabyto produkt.

Transport

⚠ NIEBEZPIECZEŃSTWO!

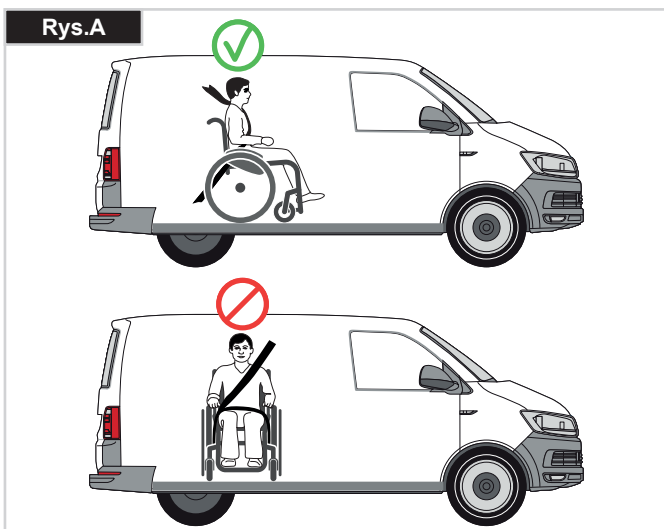
Jeśli te warunki zostaną zignorowane, wystąpi ryzyko śmierci lub poważnych obrażeń!

Przewożenie wózka samochodem:

Wózek zamontowany w pojeździe nie zapewnia poziomu bezpieczeństwa takiego jak system zabezpieczenia siedzeń w samochodzie. Zaleca się, aby użytkownik wózka zawsze przeniósł się na siedzenie w samochodzie. Wiadomo, że nie zawsze możliwe jest przeniesienie się użytkownika wózka. W okolicznościach, kiedy użytkownik musi być przewieziony siedząc w wózku, poniższe warunki muszą zostać spełnione:

1. Samochód musi być odpowiednio przystosowany do przewozu pasażerów w wózkach inwalidzkich i możliwość wygodnego wjechania/wyjechania wózkiem z samochodu musi być zapewniona. Podłoga samochodu musi być wystarczająco mocna, aby przyjąć łączną wagę użytkownika, wózka i akcesoriów.
2. Wokół wózka należy zapewnić przestrzeń wystarczającą dla swobodnego ustawienia, umocowania i odpięcia elementów mocujących wózek i użytkownika oraz pasów bezpieczeństwa.
3. Wózek zajmowany przez użytkownika musi być zamocowany przodem do kierunku jazdy i zabezpieczony pasem własnym oraz samochodowym (mocowania systemu WTORS spełniające wymagania ISO 10542 lub SAE J2249) zgodnie z instrukcją producenta systemu WTORS.
4. Umieszczanie wózka w innych pozycjach nie było testowane; przewożenie w pozycji bocznej jest zabronione w każdych okolicznościach (Rys. A).

5. Wózek powinien być zabezpieczony systemem elementów mocujących zgodnym z ISO 10542 lub SAE J2249 składającym się z pasów przednich bez regulacji i pasów tylnych z regulacją wyposażonych w spinające haki karabinkowe/ haki typu S oraz zaczepy z językami. Cały system składa się zazwyczaj z 4 oddzielnych taśm przymocowanych do każdego rogu wózka.
6. Pasy zabezpieczające należy przymocować do głównej ramy wózka tak, jak pokazano na rysunkach na następnej stronie, a nie opasać wokół elementów dodatkowych lub akcesoriów, np. sprzycz, blokad kół lub podnóżków.
7. Elementy mocujące powinny być opasane tak ciasno, jak to możliwe, pod kątem ok. 45 stopni i zablokowane zgodnie z instrukcją producenta.
8. Nie wolno dokonywać żadnych zmian ani zastąpień w układzie punktów mocowania, konstrukcji, ramie i elementach bez konsultacji z producentem. Niespełnienie tego warunku może uniemożliwić transport wózka w pojeździe.
9. Do zabezpieczenia użytkownika wózka przed uderzeniem w głowę lub klatkę piersiową przez części samochodu, oba pasy bezpieczeństwa, biodrowy i piersiowy, muszą być użyte. Pozwala to także na uniknięcie ryzyka poważnych obrażeń użytkownika wózka i innych pasażerów samochodu. (Rys. B) Piersiowy pas bezpieczeństwa powinien być mocowany do słupka „B” samochodu - niezastosowanie się do tego podnosi ryzyko odniesienia przez użytkownika poważnych obrażeń brzucha.
10. Podczas przewożenia zagłówek musi być zawsze ustawiony w pozycji odpowiedniej do transportu (etykieta na zagłówku), wygodnej dla użytkownika.
11. Środki korekcji postawy (pasy i taśmy biodrowe) lub oparte na nich mocowania nie powinny być używane jako zabezpieczenia użytkownika w jadącym pojeździe, o ile nie są wyraźnie oznaczone jako spełniające wymagania ISO 7176-19:2001 lub SAE J2249.
12. Bezpieczeństwo użytkownika wózka podczas transportu zależy od staranności osoby mocującej zabezpieczenia.



Transport

13. Jeżeli jest to możliwe, należy odłączyć od wózka i bezpiecznie rozmieścić cały sprzęt pomocniczy, na przykład: Kule, nieprzymocowane poduszki, stoliki.
14. Podczas przewożenia samochodem użytkownika na wózku zabezpieczonym systemem własnych pasów bezpieczeństwa podnóżek przegubowy/podnoszony nie może być podniesiony.
15. Rozłożone oparcia należy z powrotem złożyć do pozycji pionowej.
16. Ręczne blokady kół wózka muszą być mocno zaciągnięte.
17. Pasy do transportu wózka należy zamocować do słupka „B” samochodu, nie należy opasywać ich wokół części wózka, jak podłokietnik lub koła.

INSTRUKCJA PRZYGOTOWANIA UŻYTKOWNIKA DO JAZDY:

1. Pas biodrowy musi być założony nisko z przodu bioder tak, aby był prowadzony w preferowanym obszarze od 30 do 75 stopni względem poziomu. Pożądane jest zachowanie większego kąta w ramach preferowanej strefy, tj. możliwie bliskiego, ale nie przekraczającego 75°. (Rys. C)
2. Piersiowy pas bezpieczeństwa należy założyć nad barkiem w poprzek klatki piersiowej jak pokazano na Rys. d i e. Pasy zabezpieczające muszą być założone tak ciasno, jak to możliwe, z uwzględnieniem komfortu użytkownika. Pas zabezpieczający nie może być skręcony podczas użycia. Piersiowy pas bezpieczeństwa należy założyć nad barkiem w poprzek klatki piersiowej jak pokazano na Rys. d i e

3. Punktami mocowania zabezpieczeń do fotela są: wewnętrzna przednia rura boczna ramy, tuż nad kółkami przednimi, i tylna rura boczna ramy. Punktami mocowania zabezpieczeń do fotela są: wewnętrzna przednia rura boczna ramy, tuż nad kółkami przednimi, i tylna rura boczna ramy. (Zobacz Rys. G-H).
4. Taśmy są owinięte wokół (Rys. F) rur bocznych ramy, w miejscach łączenia rur poziomych i pionowych. Symbol mocowania na ramie wózka wskazuje pozycję pasów zabezpieczających. Po przytwierdzeniu pasów przednich są one naprężane w celu zamocowania wózka.

POZYCJONOWANIE PASÓW ZABEZPIELAJĄCYCH NA WÓZKU:

1. Położenie przedniego (Rys. G) i tylnego (Rys. H) punktu mocowania do transportu oraz etykiet ich etykiet.

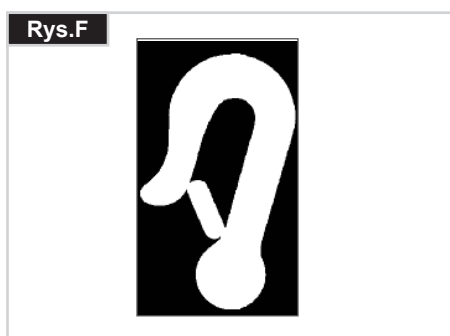
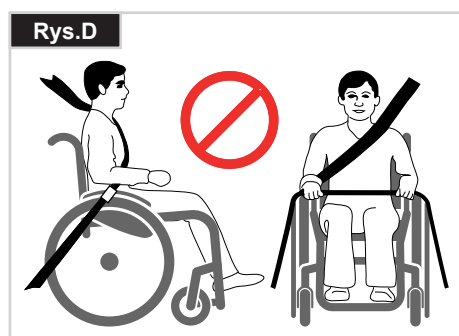
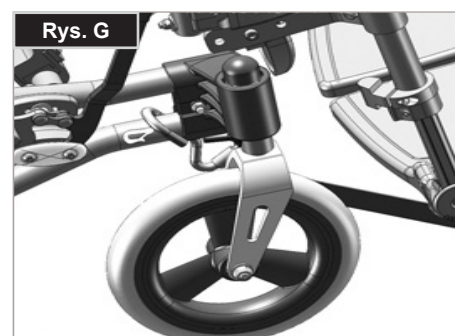
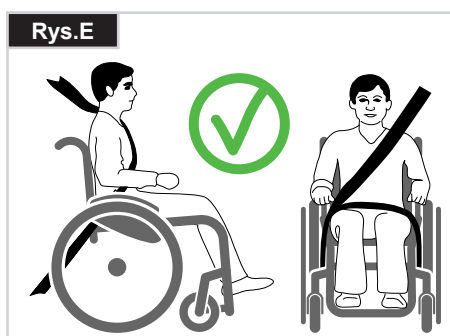
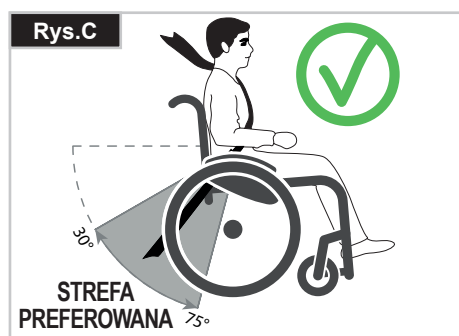
WAGA UŻYTKOWNIKA PONIŻEJ 22 KG

Jeśli przewożony użytkownik jest dzieckiem o masie poniżej 22 kg, a w pojeździe znajduje się mniej niż ośmioro (8) siedzących pasażerów, zaleca się przesadzenie ich w foteliki dziecięce zgodnie z rozporządzeniem 44 UNECE.

Tego typu foteliki zapewniają użytkownikom lepszą ochronę niż tradycyjne 3-punktowe pasy, a niektóre z nich są wyposażone także w podparcia, które pomagają dziecku utrzymać właściwą posturę w trakcie siedzenia.

Rodzice i opiekunowie powinni, w pewnych okolicznościach, rozważyć możliwość pozostawienia dziecka w wózku podczas przewozu ze względu na zakres wsparcia i wygodę, jakie zapewnia on dziecku.

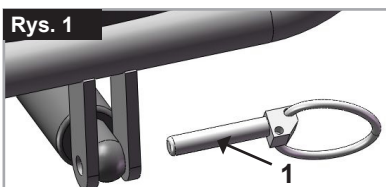
W takiej sytuacji zalecamy przeprowadzenie oceny ryzyka przez lekarza lub inną kompetentną osobę.



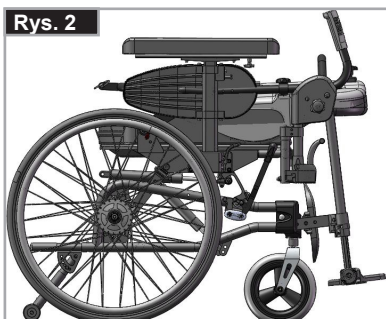
Postługiwanie się wózkiem

SKŁADANIE WÓZKA

Dla ułatwienia przewozu wózka oparcie można złożyć do przodu. Zablokować oparcie, by nie mogło przypadkowo wypaść, wyjąwszy zawleczkę zabezpieczającą (1), a następnie złożyć oparcie do przodu.



Aby zmniejszyć rozmiary wózka na czas transportu, można zdjąć z niego poduszkę siedziska i osłonę tylną oparcia.



⚠️ OSTRZEŻENIE!

Ryzyko urazu – przed opuszczeniem oparcia należy je przytrzymać/zablokować.

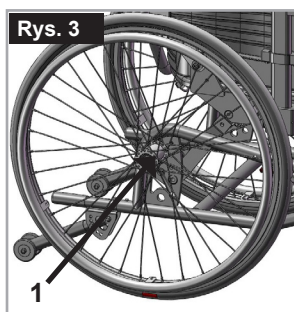
Aby przywrócić oparcie do pozycji poziomej, należy je podnieść i z powrotem zamontować zawleczkę zabezpieczającą.

⚠️ NIEBEZPIECZEŃSTWO!

- Ryzyko urazu – należy upewnić się, że oparcie jest prawidłowo zablokowane.
- Upewnić się, że osłona tylna oparcia jest prawidłowo zablokowana.

PÓŁOSIE SZYBKOZŁĄCZY TYLNYCH KÓŁ

Tylne koła wyposażono w szybkozłącza. Dzięki temu koła mogą być zamontowane i zdemontowane bez użycia narzędzi. Aby zdemontować koło, naciśnij przycisk półosi (1) i zdejmij z niej koło (Rys. 3).



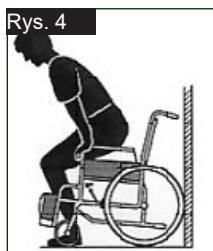
⚠️ UWAGA!

Podczas wsuwania półosi do gniazda ramy w celu zamontowania tylnych kół utrzymywać przycisk półosi wciśnięty. Aby zablokować koło we właściwej pozycji, zwolnić przycisk półosi. Przycisk powinien powrócić do swojego pierwotnego położenia.

SAMODZIELNE SIADANIE NA WÓZKU

(Rys. 4)

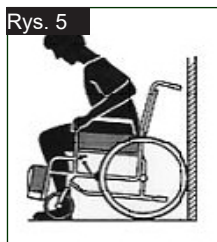
- Wózek powinien być oparty o ścianę lub solidny mebel;
- Blokady kół powinny być zaciągnięte;
- Podnóżki powinny być uniesione na zawiasach;
- Użytkownik może teraz usiąść na wózku;
- Podnóżki powinny zostać opuszczone, a nogi oparte na nich.



SAMODZIELNE WSTAWANIE Z WÓZKA

(Rys. 5)

- Blokady kół powinny być zaciągnięte.
- Podnóżki powinny być uniesione;
- Z rękami opartymi na podłokietnikach należy lekko pochylić się do przodu tak, aby przenieść ciężar ciała na przód siedziska i z dwoma stopami opartymi mocno o podłoże, w tym jedną cofniętą, unieść się do pozycji pionowej.



⚠️ OSTRZEŻENIE!

- Podczas wstawania nie stawać na podnóżkach, gdyż wózek się przewróci. Jest łatwiej i bezpieczniej siadać na wózku, gdy podnóżki są uniesione lub w ogóle odłączone od wózka.
- Przed przystąpieniem do wsiadania bądź zsiadania z wózka należy zawsze załączyć blokady kół.

Możliwości dodatkowe - zderzaki do pokonywania przeszkód

ZDERZAKI DO POKONYWANIA PRZESZKÓD

Zderzaki są używane przez osoby towarzyszące do przemieszczania wózka nad przeszkodami. Naciśnięcie zderzaka, aby przesunąć wózek, na przykład nad stopniem lub krawężnikiem (Rys. 6).



⚠️ UWAGA!

W przypadku wszystkich wózków z kołami transportowymi oraz wszystkich wózków, których głównym przeznaczeniem jest użytkowanie z pomocą osoby towarzyszącej, Sunrise Medical zaleca korzystanie z dźwigni przechyłu, ponieważ przechylenie wózka przy użyciu tylnych słupków w celu pokonania przeszkody może doprowadzić do ich uszkodzenia.

Wyposażenie opcjonalne – blokady kół

BLOKADY KÓŁ

Wózek jest wyposażony w dwie blokady kół. Blokady działają bezpośrednio na opony. Aby włączyć blokadę, pchnąć do przodu obie dźwignie hamulców aż do oporu. Aby zwolnić blokady, wycofać dźwignie do pierwotnych pozycji.

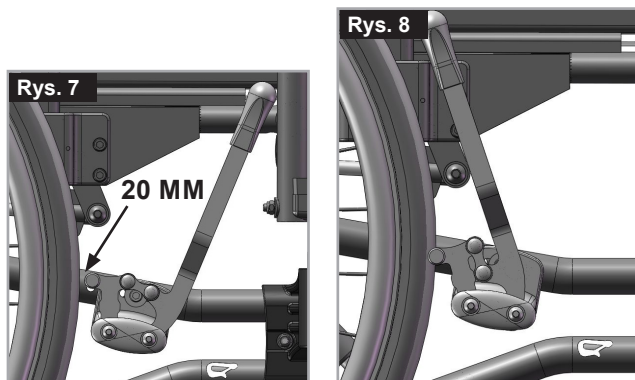
Na zmniejszenie siły hamowania wpływają:

- Zużycie bieżników opon
- Zbyt niskie ciśnienie w oponach
- Mokre opony
- Źle wyregulowane blokady kół

Blokady kół nie zostały zaprojektowane jako hamulce dla jadącego wózka. Dlatego też nigdy nie powinny być używane do hamowania wózka w ruchu. Do hamowania zawsze używać obręczy napędowych. Upewnić się, że odstęp pomiędzy oponami a blokadami kół odpowiada podanym charakterystykom. Aby wyregulować odstęp, poluzować wkręt i ustawić odpowiednią odległość. Następnie ponownie dokręcić wkręt (Rys. 7-8).

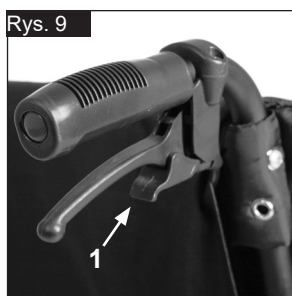
⚠ UWAGA!

Po każdej regulacji kół tylnych sprawdzić odstęp blokad kół i wyregulować go w razie potrzeby. Zamontowanie blokady zbyt blisko koła skutkuje zwiększonym wysiłkiem przy jej obsłudze. Może to spowodować uszkodzenie przedłużki dźwigni hamulca! Opieranie się o przedłużkę dźwigni hamulca podczas transportu może spowodować jej uszkodzenie! Woda spod kół, może spowodować niesprawność hamulców.



HAMULCE BĘBNOWE

Hamulce bębnowe umożliwiają osobie towarzyszącej bezpieczne i wygodne hamowanie. Hamulce mogą być używane wraz z dźwignią blokady (1) w celu zapobiegnięcia toczeniu się wózka. Dźwignia musi zaskoczyć na swoje miejsce w słyszalny sposób. Ciśnienie w oponach nie wpływa na działanie hamulców bębnowych (Rys. 9).



⚠ OSTRZEŻENIE!

- Hamulce bębnowe mogą być regulowane wyłącznie przez autoryzowanych sprzedawców.
- Aby nie stracić kontroli nad kierunkiem jazdy, należy zawsze korzystać z blokad obu kół jednocześnie.
- Hamulce bębnowe mogą być wykorzystywane jedynie jako hamulce dynamiczne do zatrzymywania wózka podczas jazdy.
- Podczas dłuższego lub krótszego postoju bądź przesiadania się należy zawsze załączać blokadę kół.

Opcje dodatkowe - Podnóżki

PODNOŻKI:

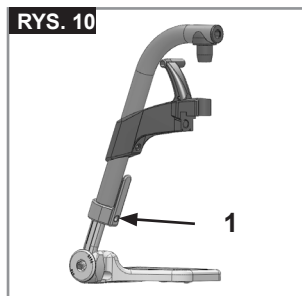
Podnóżki mogą być podniesione dla ułatwienia siadania i wysiadania z wózka.

DŁUGOŚĆ PODUDZIA:

Wspornik podnóżka może być obniżony za pomocą wkrętów (1) w celu dostosowania do długości nóg użytkownika. Poluzować wkręty, przesunąć rurki do żądanej pozycji i ponownie dokręcić wkręty (rozdział o momentach dokręcających). Pomiedzy podnóżkami a podłożem musi być zawsze zachowany minimalny odstęp 2,5 cm, (Rys. 10).

ZATRZASKI PODNOŻKÓW

Podnóżki mogą być przesunięte do wewnątrz pod siedzisko lub na zewnątrz. Podczas przyłączania podnóżki muszą być skierowane do wewnątrz lub na zewnątrz. Następnie obracać je do wewnątrz aż do zaskoczenia we właściwej pozycji. Aby odłączyć podnóżek, przesunąć dźwignię (1), przesunąć płytę podnóżka do wewnątrz lub na zewnątrz i unieść ją ku górze. Upewnić się, że podnóżek jest zatrzaśnięty w odpowiedniej pozycji, (Rys. 11).



⚠ UWAGA!

- Nie wolno wykorzystywać podnóżków do podnoszenia lub przenoszenia wózka.
- Przy siadaniu i wstawaniu z wózka nie korzystać z podnóżków. Należy je wcześniej podnieść na lub wysunąć jak najdalej na bok.

Możliwości dodatkowe - Wspornik dla osób z amputowaną kończyną

WSPORNIK DLA OSÓB Z AMPUTOWANĄ KOŃCZYNĄ

(Rys. 12).

Wspornik może być przesuwany w dowolnym kierunku, zgodnie z bieżącymi potrzebami.



RYS. 12

Wyposażenie dodatkowe – podnoszone podnóżki

OPCJONALNY PODNOSZONY PODNÓŻEK

(Rys. 13-15)

Aby odłączyć podnóżek, pociągnąć dźwignię (1), odchylić płytę podnóżka do zewnątrz i unieść podnóżek ku górze.

REGULACJA WYSOKOŚCI:

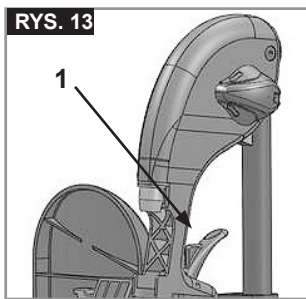
Długość podudzia można regulować w dowolnym zakresie poprzez odkręcenie śruby (2). Ustawić odpowiednią wysokość i ponownie zakręcić śrubę.

⚠ UWAGA!

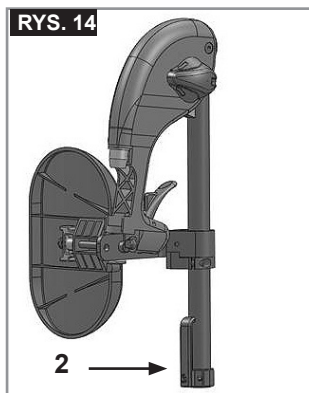
Odległość pomiędzy płytą podnóżka a ziemią musi wynosić przynajmniej 40 mm.

REGULACJA KĄTA:

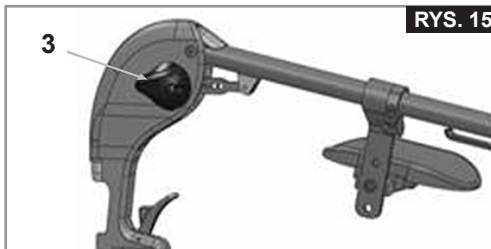
Nacisnąć dźwignię (3) do dołu i jednocześnie przytrzymać podnóżek drugą ręką, aby zminimalizować obciążenie. Po ustawieniu odpowiedniego kąta, puścić dźwignię, a podnóżek zablokuje się w jednym z dostępnych położań.



RYS. 13



RYS. 14



RYS. 15

REGULACJA OPARCIA ŁYDEK

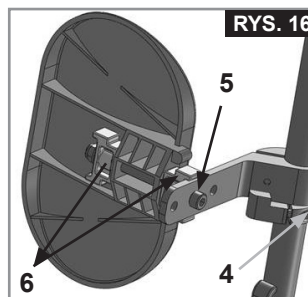
(Rys. 16).

Procedura regulacji oparcia łydek:

Wysokość: Odkręcić śrubę (4) i przesunąć zacisk w odpowiednie położenie. Obracając zaciskiem, można także zmienić kąt nachylenia.

Głębokość: Odkręcić śrubę (5) i przesunąć oparcie łydek w odpowiednie położenie.

Szerokość: Odkręcić śrubę (5) i ustawić dystanse w odpowiednim położeniu (6), tak aby osiągnąć wybraną szerokość.



RYS. 16

⚠ OSTRZEŻENIE!

- Podczas regulacji wysokości podnóżka trzymać ręce z dala od mechanizmu regulacji pomiędzy ramą a częściami ruchomymi.
- Należy się upewnić, że mocowania są prawidłowo zamontowane.
- Nie wolno wykorzystywać podnóżków do podnoszenia lub przenoszenia wózka.
- Ryzyko przytraśnięcia palców! Podczas przesuwania podnóżków w górę lub w dół nie wkładać palców w mechanizm regulacji pomiędzy ruchome części.

Opcje dodatkowe - Kółka przednie

KÓŁKA SAMONASTAWNE, PODPORY KÓŁEK, WIDEŁKI

Wózek może lekko skręcać w lewo lub w prawo, lub mogą wibrować jego kółka przednie. Przyczyny tych zjawisk mogą być następujące:

- Mechanizmy kół nie zostały ustawione prawidłowo.
- Kąt osi kółka przedniego został ustawiony nieprawidłowo.
- Zostało źle ustawione ciśnienie kół przednich lub tylnych; koła nie obracają się płynnie.
- W wyniku złej regulacji kółek przednich wózek nie porusza się po linii prostej.

⚠ OSTRZEŻENIE!

- Kółka przednie zawsze powinny być ustawiane przez autoryzowanego dostawcę.
- Po każdej zmianie pozycji kół tylnych należy sprawdzić blokady kół.

Możliwości dodatkowe — łącznik kółka

REGULACJA WYSOKOŚCI SIEDZISKA:

Wysokość siedziska jest określona przez położenie kółka samonastawnego i tylnego koła. Wysokość siedziska może być regulowana poprzez dobór różnych rozmiarów kół tylnych i zmianę pozycji kółek przednich oraz kół tylnych, a także użycie przedłużaczy.

⚠ UWAGA!

- Po dokonaniu regulacji wysokości siedziska należy dokręcić wszystkie wkręty.
- Kółka przednie muszą być ustawione pod kątem 90°.
- Dlatego też wysokość siedziska z tyłu i przodu musi być zawsze taka sama.

Możliwości dodatkowe - oparcie

KOMFORTOWE OPARCIE

(Rys. 17 do 19).

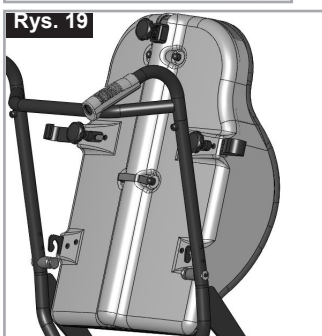
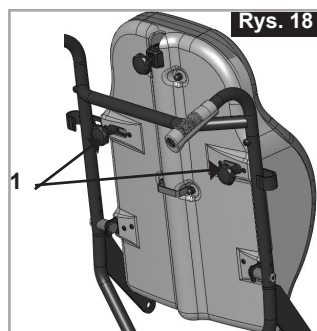
Oparcie komfortowe zapewnia wsparcie boczne i wygodę nawet przy przedłużonym okresie siedzenia.

Aby zdjąć osłonę tylną oparcia, należy przekręcić pokrętło (1) i popchnąć je do przodu. Przesuwając osłonę tylną oparcia w górę i w przód, można ją zdjąć z zaczepów montażowych.

Poduszka jest przymocowana przy użyciu rzepu i również można ją zdjąć.

⚠ OSTRZEŻENIE!

Montując oparcie, należy upewnić się, że osłona tylna jest prawidłowo przymocowana do zaczepów montażowych i zablokowana w swojej pozycji.



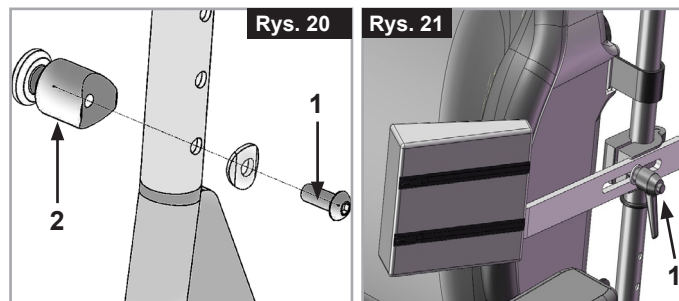
Możliwości dodatkowe - oparcie

OPARCIE Z REGULACJĄ W PIONIE

Oparcie może być ustawione na czterech różnych wysokościach. Odkręcić i wyjąć śruby (1), a następnie przesunąć zaczepy montażowe (2) na odpowiednią wysokość. Przykręcić ponownie śruby, (Rys. 20).

WSPARCIE TUŁOWIA

W przypadku wsparcia tułowia można regulować kąt, głębokość i wysokość. Można je także odchylić. W tym celu obrócić dźwignię zwalnającą (1). (Rys. 21)



ODCHYLANE OPARCIE (0° - 35°)

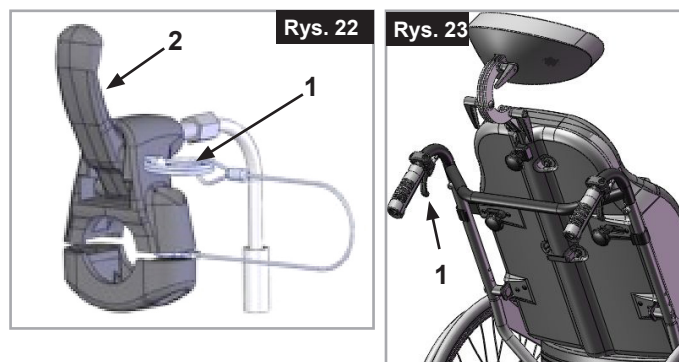
⚠ UWAGA!

Przed wykonaniem tej czynności należy usunąć kołek blokujący (1) (Rys. 22).

Pociągając dźwignię (2) można poluzować mocowanie oparcia i przesunąć je do żądanej pozycji. Po zwolnieniu dźwigni (1) oparcie zostanie automatycznie zatrzaśnięte w stabilnej pozycji. (Rys. 23).

⚠ OSTRZEŻENIE!

- Zaleca się stosowanie odchylenia oparcia w połączeniu z kółkami zabezpieczającymi (maksymalny prześwit do podłoża 3 – 5 cm).
- Nie zmieniać kąta nachylenia oparcia, jeśli wózek znajduje się na pochyłej nawierzchni.
- Po ukończeniu czynności, ponownie zamontować kołek blokujący.



Możliwości dodatkowe – osłona boczna

PODŁOKIETNIKI Z REGULACJĄ W PIONIE

Aby wyregulować wysokość, pchnąć dźwignię (1) i przesunąć podłokietnik do żądanej pozycji. Po regulacji upewnić się, że dźwignia (1) zatrzasnęła się w odpowiedniej pozycji. Aby całkowicie odłączyć osłonę boczną, nacisnąć dźwignię (2). Podczas montażu osłony bocznej dźwignia (2) musi także zostać dopchnięta. Zawsze sprawdzać, czy osłona boczna została prawidłowo zablokowana w tulei gniazdowej. (Rys. 24).

OSTRZEŻENIE!

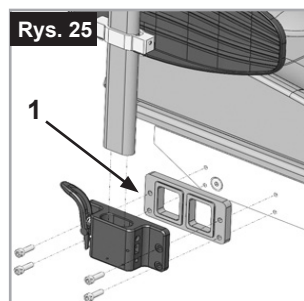
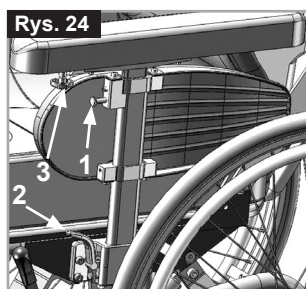
Podczas regulacji wysokości podłokietnika występuje niebezpieczeństwo przycięcia palców.

Aby zmienić ustawienie poduszki podłokietnika, należy odkręcić pokrętko (3), a następnie przesunąć poduszkę (Rys. 24). Po zakończeniu należy sprawdzić, czy pokrętko jest prawidłowo dokręcone.

Aby zwiększyć szerokość siedziska o 2 cm należy wyjąć wewnętrzną podkładkę i/lub dodać 2 dystanse (1) (Rys. 25).

UWAGA!

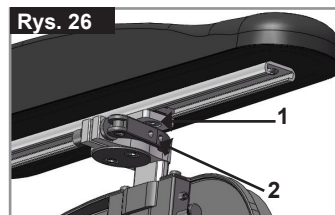
Przy zwiększaniu odległości pomiędzy podłokietnikami, należy zwiększyć także rozstaw tylnych kół (Rys. 25).



Możliwości dodatkowe - podłokietniki hemiplegiczne

PODŁOKIETNIK HEMIPLEGICZNY

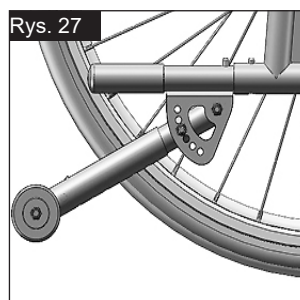
Można ustawić zarówno długość, jak i nachylenie podłokietnika hemiplegicznego. Długość podłokietnika można ustawić po poluzowaniu 2 wkrętów obrotowych (1). Aby ustawić kąt, należy otworzyć dźwignię zwalniającą (2) i obrócić podłokietnik do żądanej pozycji, a następnie ponownie ją zamknąć (Rys. 26).



Możliwości dodatkowe - kółka zabezpieczające

KÓŁKA ZABEZPIECZAJĄCE

Kółka zabezpieczające zapewniają niedoświadczonym użytkownikom dodatkowe bezpieczeństwo podczas nauki jazdy wózkem. Kółka zabezpieczają przed przewróceniem się wózka do tyłu. Rurkę antywyważnika należy wsunąć w rurę ramy tak, aby pierwszy ze sprężynowych przycisków zablokował się w pierwszym otworze rury ramy, (Rys. 27).



OSTRZEŻENIE!

Nieprawidłowe ustawienie kółek zabezpieczających zwiększa ryzyko przewrócenia wózka do tyłu. Aby zapobiec stykaniu się antywyważników z podłożem podczas pokonywania większych przeszkód (takich jak krawężniki), należy odchylić je do góry, a następnie ponownie opuścić do normalnego położenia po pokonaniu przeszkody.

UWAGA: Nie należy umieszczać rurki antywyważnika tak głęboko, że drugi guzik sprężynowy również znajdzie się wewnątrz rury ramy, ponieważ może to doprowadzić do uszkodzenia antywyważnika i spadku jego efektywności. Naciśnięcie drugiego przycisku zwalniającego umożliwia odchylenie kółek zabezpieczających do góry lub zdjęcie ich. Pomiędzy kółkami a podłożem musi być zawsze zachowany odstęp 3 – 5 cm. Kółka zabezpieczające muszą być przesunięte do góry podczas pokonywania większych przeszkód (takich jak krawężniki), aby zapobiec stykaniu się ich z podłożem. Po pokonaniu przeszkody przesunąć kółka do normalnej pozycji (Rys. 27).

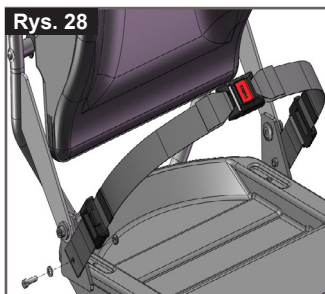
Możliwości dodatkowe – pas biodrowy

BIODROWY PAS BEZPIECZEŃSTWA

⚠ NIEBEZPIECZEŃSTWO!

Przed korzystaniem z wózka należy się upewnić, że pas został zapięty i właściwie wyregulowany.

Biodrowy pas bezpieczeństwa montuje się na wózku w sposób pokazany na ilustracjach. Pas składa się z 2 części. Są one połączone za pomocą śruby ustalającej przeprowadzonej przez oczko na pasie. Pas jest przeprowadzony pod tylną częścią bocznego panelu. (Rys. 28).



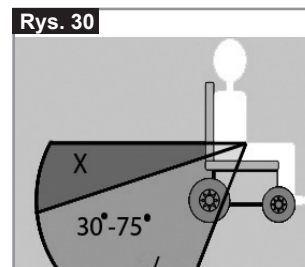
Wyregulować położenie pasa tak, aby zatrzaski znajdowały się pośrodku siedziska.

W opisanym poniżej sposób wyregulować długość pasa biodrowego tak, aby odpowiadał potrzebom użytkownika:

Zwiększenie długości pasa	Zmniejszenie długości pasa	✓
Aby zwiększyć długość pasa, przeprowadzić jego wolną część przez suwaki regulacyjne i męską część zatrzasku.	Przeprowadzić wolną część pasa z powrotem przez męską część zatrzasku i suwaki regulacyjne.	Upewnić się, że pas nie zapętlił się w męskiej części zatrzasku.

Po zapięciu pasa sprawdzić przestrzeń pomiędzy pasem biodrowym i użytkownikiem. Gdy pas jest prawidłowo wyregulowany, możliwe jest wsunięcie najwyżej wyprostowanej dłoni między pas a użytkownika. (Rys. 29)

Pas biodrowy powinien być zamocowany w taki sposób, aby jego taśmy były ułożone pod kątem 45°, a po prawidłowej regulacji powinien zapobiegać zsunięciu się użytkownika z siedziska. (Rys. 30).



Aby zamknąć zatrzask:
Mocno wsunąć męską część zatrzasku w żeńską.



Aby rozpiąć pas:
Wcisnąć odkryte miejsca męskiej części zatrzasku i wysunąć w kierunku środka / wciśnąć guzik na żeńskiej części zatrzasku, delikatnie rozsuwając części pasa.

PORADA DLA KLIENTA

⚠ NIEBEZPIECZEŃSTWO!

- W przypadku transportu samochodowego osoby na wózku nie należy polegać wyłącznie na zabezpieczeniu pasem biodrowym, ale również skorzystać z innych pasów biodrowych i poprzecznych, dostępnych w pojeździe.
- Przed użyciem zalecamy sprawdzenie pasa biodrowego w celu upewnienia się, że został on właściwie zamocowany, nie jest w żaden sposób zablokowany ani nie posiada oznak niepożądanego zużycia oraz że sprzączki zapinają się w sposób właściwy.
- Niewykonanie takiej kontroli przed użyciem może skutkować poważnymi obrażeniami użytkownika. np. zbyt luźny pas może pozwolić na ześlizgnięcie się użytkownika z wózka dołem i spowodować ryzyko uduszenia.

KONSERWACJA:

W regularnych odstępach czasu sprawdzać stan pasa biodrowego i innych elementów zabezpieczających pod kątem zużycia czy uszkodzenia. W razie konieczności należy je wymienić. Pas biodrowy czyścić ciepłą wodą z mydłem i pozostawić do wyschnięcia.

⚠ NIEBEZPIECZEŃSTWO!

- Biodrowy pas bezpieczeństwa należy dostosować do potrzeb użytkownika końcowego w sposób szczegółowo opisany powyżej. Firma Sunrise Medical zaleca również regularne sprawdzanie długości i napięcia pasa w celu zmniejszenia ryzyka nieumyślnego wyregulowania pasa na nadmierną długość przez użytkownika.
- W razie wątpliwości dotyczących użytkowania i obsługi biodrowego pasa bezpieczeństwa należy zasięgnąć opinii lekarza lub dystrybutora wózków inwalidzkich.

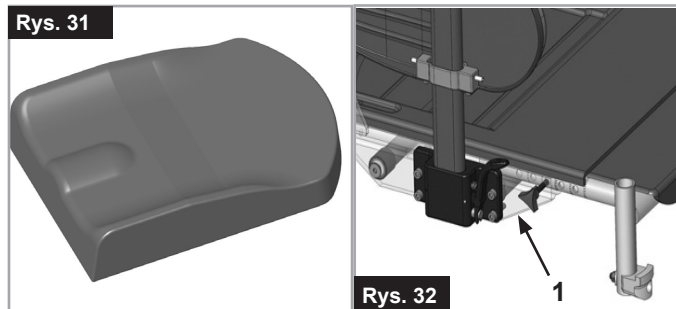
Możliwości dodatkowe - siedzisko**KOMFORTOWE SIEDZISKO (RYS. 31).**

Siedzisko komfortowe to anatomicznie ukształtowana poduszka, która zapewnia komfort siedzenia nawet przez długi czas.

Poduszka jest przymocowana przy użyciu rzepu i można ją zdjąć. Pokrowiec można czyścić (patrz instrukcje na poduszce).

GLĘBOKOŚĆ SIEDZISKA (RYS. 32).

Poluzowanie pokręteł w kształcie gwiazdy (1) po obu stronach umożliwia regulację głębokości siedziska co 2 cm. Odstępy są oznaczone na rurze siedziska, a także na etykiecie na płycie siedziska. Ustawić siedzisko i dokręcić oba pokręta w kształcie gwiazdy.

**⚠ UWAGA!**

- Nie wolno przekraczać maksymalnej głębokości siedziska (oznaczonej przy pomocy znaku graficznego i blokady).
- Zadbaj o to, aby oba pokręta w kształcie gwiazdy były odpowiednio ustawione względem otworu, w który są wkręcane, i aby były odpowiednio dokręcone.

REGULACJA SZEROKOŚCI SIEDZISKA

Szerokość siedziska można zwiększyć poprzez wyjęcie wewnętrznych podkładek lub dodanie dystansów (patrz wyposażenie dodatkowe – osłona boczna).

REGULOWANY KĄT SIEDZISKA (0°-25° / -3 -22°)

Przed wykonaniem tej czynności należy usunąć kolek blokujący (1) (Rys. 33).

Po pociągnięciu dźwigni (2) blokada siedziska jest zwalniana, a siedzisko można ustawić w żądanym położeniu (Rys. 34). Po puszczeniu dźwigni, siedzisko automatycznie blokuje się w nowym położeniu.

⚠ NIEBEZPIECZEŃSTWO!

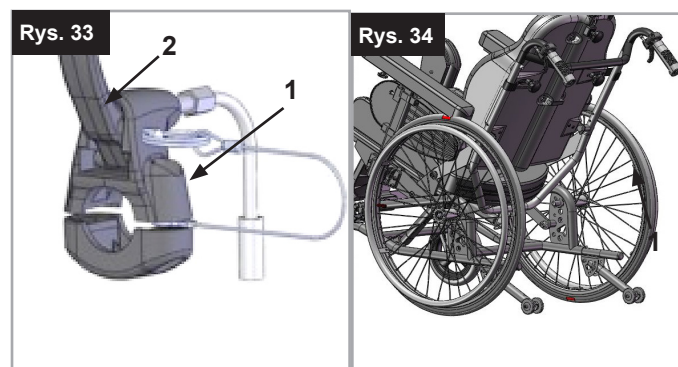
- Nie zmieniać kąta nachylenia siedziska, jeśli wózek znajduje się na pochyłej nawierzchni.
- Siedzisko z regulacją kąta nachylenia może być montowane tylko na wózkach wyposażonych w kółka antywywrotne.

⚠ OSTRZEŻENIE!

Podczas regulacji siedziska występuje niebezpieczeństwo przycięcia palców.

⚠ UWAGA!

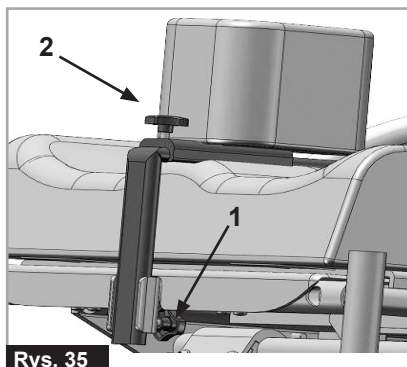
Aby wszystkie przewody działały prawidłowo, należy upewnić się, że nie są one naprężone.



Możliwości dodatkowe - Odwodzenie

ODWODZENIE

Poluzowanie śruby (1) umożliwia regulację wysokości blokady odwodzenia, a poluzowanie śruby (2) umożliwia regulację jej głębokości lub zdjęcie jej (Rys. 35).



Możliwości dodatkowe — uchwyty do popychania

UCHWYTY DO POPYCHANIA Z REGULACJĄ W PIONIE

Wysokość uchwytów można wyregulować poprzez odkręcenie pokręteł (1). Po regulacji wysokości uchwytów do popychania należy zawsze upewnić się, że pokręta (1) są dokładnie dokręcone (Rys. 36).



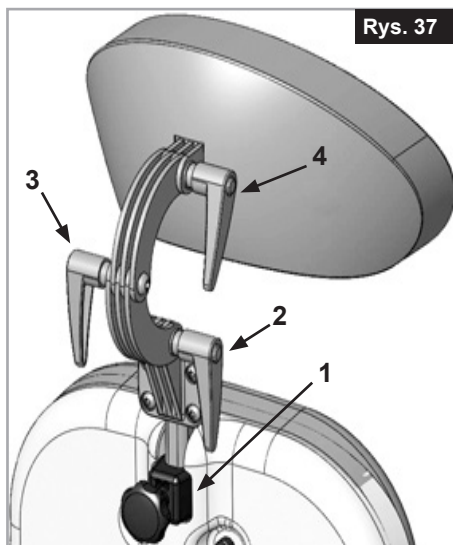
⚠ NIEBEZPIECZEŃSTWO!

Jeżeli pokręta nie są dokładnie dokręcone, podczas pokonywania przeszkód może dojść do urazów.

Możliwości dodatkowe - zagłówki

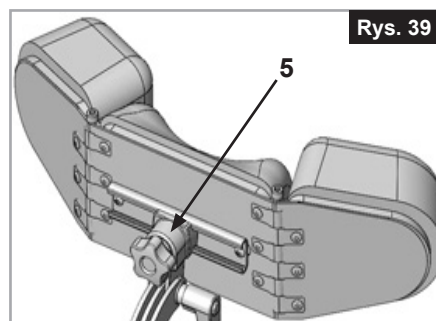
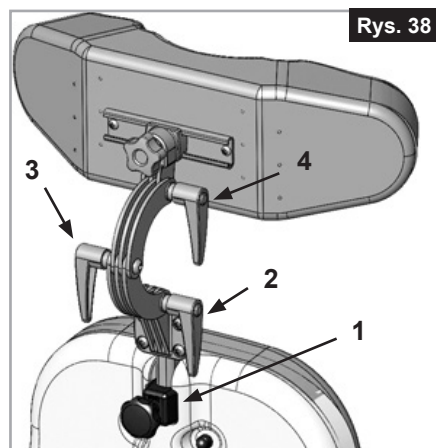
ZAGŁÓWEK KOMFORTOWY

Zagłówek może być podniesiony (1) oraz przesunięty w przód lub w tył, (2-3-4). Aby to zrobić, należy poluzować dźwignie, ustawić zagłówek w odpowiednim położeniu, a następnie ponownie dokręcić dźwignie (Rys. 37).



3-CZĘŚCIOWY ZAGŁÓWEK

Zagłówek może być podniesiony (1) oraz przesunięty w przód lub w tył, (2-3-4). Można także zmienić położenie linii środkowej zagłówka (5). Aby to zrobić, należy zwolnić odpowiednie dźwignie / odkręcić pokręta, ustawić zagłówek w odpowiednim położeniu, a następnie ponownie dokręcić dźwignie / pokręta (Rys. 38-39).

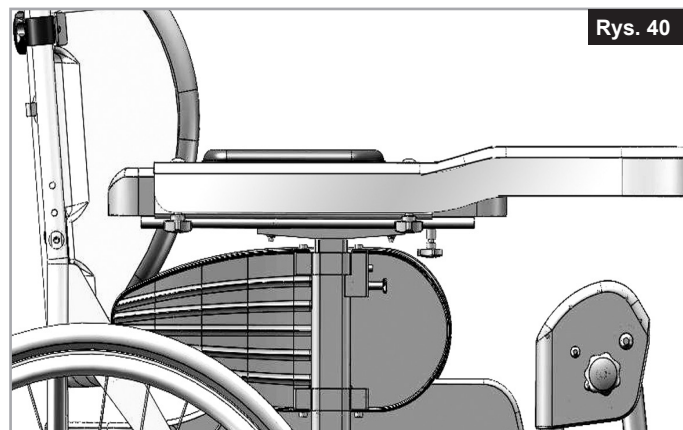


Możliwości dodatkowe — stół terapeutyczny

STÓL TERAPEUTYCZNY

Stół zapewnia płaską powierzchnię do różnych czynności. Przed użyciem stół musi być dostosowany przez autoryzowanego sprzedawcę do szerokości siedziska.

UWAGA: Podczas regulacji użytkownik musi siedzieć w fotelu, (Rys. 40).



Tabliczki znamionowe

TABLICZKI ZNAMIONOWE

Tabliczki znamionowe są umieszczone na zespole krzyżaka, rurze ramy poprzecznej oraz na etykiecie w instrukcji użytkownika. Na tabliczce znamionowej umieszczono dokładne oznaczenie modelu i inne parametry techniczne. Przy zamawianiu części zamiennych i zgłaszaniu reklamacji należy zawsze podawać:

WERSJA POLSKA

PRÓBKA

	SUNRISE MEDICAL		Sunrise Medical GmbH Kahlbachring 2-4 D-69254 Malsch / Germany		XXXX-XX-XX
TYPE:		Wheelchair, Rollstuhl, Fauteil Roulant, Silla de Ruedas	SN	XXXXXXXXXXXXXX	
Relax2		ISO 7176-19:2008			
	XXX kg		max X°		XXX mm
			XXX mm		

Relax2

Nazwa produktu / numer SKU.



Maksymalna bezpieczna wartość wzniesienia z kółkami zabezpieczającymi zależy od ustawień wózka, postawy i możliwości fizycznych użytkownika.



Szerokość siedziska.



Głębokość (maksymalna).



Maksymalne obciążenie.



Znak CE.



Instrukcja obsługi.



XXXX-XX-XX

Data produkcji.



Numer seryjny.



Ten symbol oznacza wyrób medyczny.



Adres producenta.

ISO 7176-19:2008

Przeszedł testy zderzeniowe zgodne z następującymi normami:
ISO 7176-19:2008.

W związku z prowadzoną przez firmę polityką nakierowaną na nieustanne ulepszanie swoich produktów, dane techniczne wózków mogą się nieznacznie różnić od przedstawionych przykładów. Wszystkie dane dotyczące masy/wymiarów i osiągnięć są przybliżone i podane wyłącznie w celach poglądowych. Produkty Sunrise Medical są zgodne z Rozporządzeniem w sprawie wyrobów medycznych (UE) 2017/745.

Wszystkie wózki muszą być używane zgodnie z zaleceniami producenta.

Sunrise Medical GmbH
Kahlbachring 2-4
69254 Malsch/Heidelberg
Deutschland
Tel.: +49 (0) 7253/980-0
Fax: +49 (0) 7253/980-222
kundenservice@sunrisemedical.de
www.SunriseMedical.de

Kontrole codzienne

UWAGA!

Użytkownik jest pierwszą osobą, która może dostrzec następujące możliwe defekty. Zalecane jest sprawdzenie przed rozpoczęciem korzystania z wózka elementów z następującej listy:

- Sprawdzić, czy ciśnienie w oponie jest prawidłowe
- Sprawdzić prawidłowość działania blokad kół.
- Sprawdzić, czy wszystkie części zdejmowane są zamocowane (np. podłokietnik, płyta podnóżka, półoś szybkiego montażu itp.)
- Sprawdzić, czy na ramie, oparciu, zawieszaniu siedziska i zawieszaniu oparcia, kołach, podnóżku nie występują widoczne uszkodzenia.
- W przypadku wystąpienia uszkodzenia lub usterki należy skontaktować się z autoryzowanym sprzedawcą.

Opony i ich montaż

OPONY I ICH MONTAŻ

W standardzie, wózki są fabrycznie wyposażone w opony pełne.

Przy ogumieniu pneumatycznym upewnić się, że w oponach jest prawidłowe ciśnienie, gdyż wpływa ono na właściwości jezdne wózka. Zbyt niskie ciśnienie opon powoduje zwiększenie oporu i jest niezbędna większa siła do poruszania wózka. Niskie ciśnienie w oponach wpływa również negatywnie na manewry. Przy zbyt wysokim ciśnieniu opona może ulec uszkodzeniu. Prawidłowa wartość ciśnienia jest opisana na brzegu opony, (Maks. 3,5 bar).

Opony są montowane w taki sam sposób, jak w zwykłym rowerze. Przed założeniem nowej dętki należy upewnić się, że wnętrze obręczy i opony są wolne od ciał obcych. Po montażu lub naprawie opony sprawdzić ciśnienie. Okresowe kontrole ciśnienia w oponach i ich dobry stan są bardzo ważne dla bezpieczeństwa użytkownika wózka.

Konserwacja i utrzymanie

KONSERWACJA

- Sprawdzać ciśnienie w oponach co 4 tygodnie. Sprawdzać wszystkie opony pod kątem zużycia i uszkodzeń.
- Sprawdzać blokady kół co ok. 4 tygodnie pod kątem prawidłowości działania i łatwości użycia.
- Wymieniać opony tak, jak w zwykłym rowerze.
- Wszystkie złącza krytyczne dla bezpieczeństwa są zablokowane nakrętkami samozabezpieczającymi.
- Sprawdzać co 3 miesiące, czy wszystkie wkręty są dokręcone (rozdział o momentach dokręcających).
- Nakrętki samozabezpieczające się mogą być użyte tylko raz i należy je wymieniać po zastosowaniu.
- Do czyszczenia wózka stosować wyłącznie łagodne środki czyszczące. Do czyszczenia tapicerki siedziska i pasa biodrowego stosować wyłącznie wodę z mydłem.
- Aby zapobiegać powstawaniu rdzy i korozji, mokry wózek należy zawsze wysuszyć.
- Co ok. 8 tygodni dodać niewielką ilość oleju do maszyn do szycia do półosi szybkiego montażu. W zależności od częstotliwości i rodzaju użycia zaleca się oddawać wózek do przeglądu u autoryzowanego sprzedawcy co 12 miesięcy.

UWAGA!

Piasek i woda morska (lub cząsteczki soli w zimie) mogą uszkodzić łożyska kół. Czyścić starannie wózek po każdym takim narażeniu.

Następujące części mogą być zdemontowane i przesłane do wytwórcy lub sprzedawcy w celu naprawy: tylne koła, podłokietnik, podnózek, kółka zabezpieczające. Powyższe elementy są dostępne jako części. Więcej szczegółów przedstawiono we fragmencie dotyczącym części.

ZASADY HIGIENY PRZY PONOWNYM UŻYCIU:

Wózek należy przygotować starannie przed kolejnym użyciem, spryskując środkiem dezynfekującym wszystkie powierzchnie mające kontakt z ciałem użytkownika.

Do wykonania powyższych czynności i osiągnięcia szybkiego efektu należy użyć płynu do dezynfekcji produktów medycznych, na bazie alkoholu. Stosować się do instrukcji producenta danego środka dezynfekującego.

W ogólności, nie ma gwarancji działania bezpiecznych środków dezynfekcyjnych w przypadku szwów. Dlatego też zaleca się, w przypadku zakażenia drobnoustrojami, rozłożyć siedzisko i oparcie i zdezynfekować je środkiem aktywnym zgodnie z §6 przepisów o ochronie przed infekcjami.

PRZECHOWYWANIE

Wózek należy przechowywać w suchym miejscu.

Usuwanie usterek

WÓZEK PRZECHYLA SIĘ NA JEDNĄ STRONĘ

- Sprawdzić ciśnienie w oponach (dotyczy tylko opon pneumatycznych).
- Sprawdzić, czy koła toczą się bez oporów (łożyska, oś)
- Sprawdzić, czy kółka samonastawne są ustawione pod identycznym kątem i prawidłowo stykają się z ziemią.
- Sprawdzić, czy łożyska kółek samonastawnych w widelcu mogą się swobodnie obracać.

KÓŁKA PRZEDNIE ZACZYNAJĄ DRGAĆ

- Sprawdzić nachylenie kółek przednich
- Sprawdzić, czy wszystkie wkręty są dokręcone; dokręcić je w razie potrzeby (rozdział o momentach dokręcających)
- Sprawdzić, czy oba kółka przednie mają odpowiedni kontakt z podłożem

WÓZEK SKRZYPI I TRZESZCZY

- Sprawdzić, czy wszystkie wkręty są dokręcone; dokręcić je w razie potrzeby (rozdział o momentach dokręcających)
- Dodać niewielką ilość smaru w punktach kontaktu ruchomych części ze sobą

WÓZEK ZACZYNA DRGAĆ

- Sprawdzić kąt nachylenia kółek przednich
- Sprawdzić ciśnienie w oponach
- Sprawdzić, czy tylne koła są jednakowo wyregulowane

AMORTYZATORY I PRZEWODY

⚠ UWAGA!

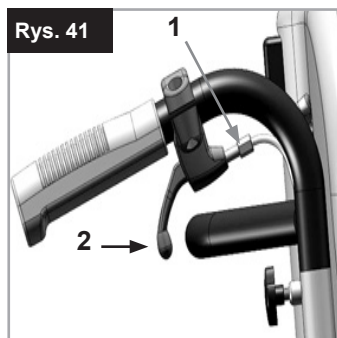
W celu uniknięcia ograniczeń działania podzespołów wózka, należy sprawdzić, czy przewody nie są nadmiernie napięte.

PROBLEM:

Luz w dźwigni.

ROZWIĄZANIE:

Poluzować śrubę regulującą (1), aż w dźwigni (2) nie czuć luzu (Rys. 41).



USTAWIENIE KĄTA SIEDZISKA

PROBLEM:

Siedzisko wysuwa się bez korzystania z mechanizmu zwalniającego.

PRZYCZYNA:

Linki Bowdena na buforze są nadmiernie napięte.

ROZWIĄZANIE:

Ustaw odpowiednie napięcie linek Bowdena przy użyciu śruby regulującej (1).

⚠ UWAGA!

Chronić linkę Bowdena przed uszkodzeniami (wypaczenie). W przypadku jej wypaczenia, należy ją natychmiast wymienić.

Usuwanie i recykling materiałów

UWAGA: Jeżeli wózek dostarczono użytkownikowi za darmo, być może nie jest on jego własnością. Jeżeli wózek nie jest dłużej potrzebny, postępować zgodnie z instrukcjami dostawcy wózka dotyczącymi możliwości jego zwrotu.

Poniższe informacje dotyczą materiałów użytych do produkcji wózka w odniesieniu do ich usuwania, recyklingu wózka i jego pakowania. Podczas organizowania utylizacji materiałów sprawdzić, jakie lokalne przepisy regulują zagadnienia usuwania i recyklingu odpadów. (Mogą one wymagać oczyszczenia lub odkażenia wózka przed jego usunięciem).

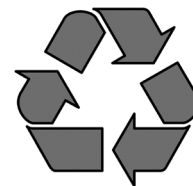
Stal: Złącza, szybko złączki, boczne ramy, ramy podłokietników, podnóżki, uchwyty do popychania.

Tworzywa sztuczne: Uchwyty, widelce kółek przednich, zatyczki rur, kółka przednie, płyty podnóżków, płyty podłokietników, koła/opony 12", osłony boczne.

Opakowanie: Torby z polietylenu o niskiej gęstości, pudła tekturowe.

Tapicerka: Tkanina poliestrowa z pokryciem PCW i ekspandowaną pianką modyfikowaną.

Usuwanie lub recykling materiałów powinny być wykonywane przez licencjonowanego przedstawiciela lub autoryzowany punkt utylizacji. Alternatywnie można zwrócić wózek sprzedawcy celem jego utylizacji.



Alkusanat

Arvoisa asiakas,

Olemme iloisia, että valitsit laadukkaan SUNRISE MEDICAL-tuotteen.

Tämä käyttöopas sisältää lukuisia vinkkejä ja ideoita uuden pyörätuolisi mahdollisimman luotettavan käyttöönoton varmistamiseksi.

Läheisten asiakassuhteiden ylläpitäminen on Sunrise Medicalille tärkeää. Haluamme pitää asiakkaamme ajantasalla yrityksemme toiminnasta. Läheisten asiakassuhteiden ansiosta pystymme palvelemaan asiakkaitamme nopeasti, henkilökohtaisesti ja mahdollisimman joustavasti. Olemme aina valmiina auttamaan niin varaosien, lisävarusteiden kuin pyörätuoliasi koskevien lisätietojenkin osalta.

Haluamme että olet tyytyväinen tuotteisiimme ja palveluihimme. Sunrise Medical kehittää jatkuvasti tuotteitaan. Tuotteidemme muotoilussa, teknologiassa ja laitteistoissa voi taten esiintyä muutoksia. Tämän käyttöoppaan sisältämien kuvien tai tietojen perusteella ei tästä syystä voi esittää mitään korvausvaatimuksia.

SUNRISE MEDICALin hallintajärjestelmä täyttää seuraavat standardit: DIN EN ISO 9001, ISO 13485 ja ISO 14001.

CE Valmistaja SUNRISE MEDICAL vakuuttaa, että tämä Kevyt pyörätuoli täyttää asetuksen 2017/745/EEC / 2007/47/EEC normit.

HUOMAUTUS:

Yleisohjeita käyttäjälle.

Jos näitä ohjeita ei noudateta, seurauksena voi olla fyysisiä vammoja, laitevauriota tai ympäristövahinkoja!

Ilmoitus käyttäjälle ja/tai potilaalle: kaikista laitteeseen liittyvistä vakavista tapaturmista on ilmoitettava valmistajalle ja sen jäsenvaltion toimivaltaiselle viranomaiselle, jossa käyttäjä ja/tai potilas asuu.

B4Me erityismukautukset

Sunrise Medical suosittelee vahvasti, että kaikki B4Me-tuotteen mukana toimitetut käyttöohjeet luetaan ja ymmärretään ennen tuotteen ensimmäistä käyttöä, jotta tuote toimii valmistajan tarkoittamalla tavalla.

Sunrise Medical suosittelee myös, että käyttöohjeita ei hävitetä lukemisen jälkeen; ne tulee säilyttää tallessa myöhempää tarvetta varten.

Lääkinnällisten laitteiden yhdistelmät

Tämän lääkinällisen laitteen voi mahdollisesti yhdistää yhden tai useamman muun lääkinällisen laitteen tai tuotteen kanssa. Tietoja mahdollisista yhdistelmistä löytyy osoitteesta www.haltija.fi. Kaikkien luettujen yhdistelmien on todettu täyttävän lääkinällisiä laitteita koskevan asetuksen 2017/745 yleiset turvallisuus- ja suorituskykyvaatimukset, liite 1, kohta 14.1.

Yhdistelmä- ja asennusohjeet ovat nähtävissä osoitteesta www.haltija.fi

Ota yhteyttä paikalliseen Sunrise Medicalin valtuuttamaan jälleenmyyjään, jos sinulla on kysyttävää pyörätuolisi käytöstä, huollosta tai turvallisuudesta.

Jos lähialueellasi ei ole valtuutettua jälleenmyyjää tai jos haluat kysyä jotakin, ole hyvä ja ota yhteyttä Sunrise Medicaliin joko kirjallisesti tai soittamalla.

HALTIJA Group Oy

Koivuhaantie 2-4

01510 Vantaa

Suomi

Puh 09 612 2250

asiakaspalvelu@haltija.fi

www.haltija.fi



TÄRKEÄÄ:

ÄLÄ KÄYTÄ PYÖRÄTUOLIA ENNEN KUIN OLET LUKENUT TÄMÄN KÄYTTÖOPPAAN JA YMMÄRTÄNYT SEN SISÄLLÖN.

Käyttö

Pyörätuoli on tarkoitettu käyttäjille, jotka eivät pysty kävelemään tai joiden liikuntakyky on rajoittunut. Pyörätuoli on tarkoitettu henkilökohtaiseen käyttöön sisä- ja ulkotiloissa omatoimisesti sekä toisen osapuolen (avustajan) toimesta.

Enimmäispainorajoitus (käyttäjän ja pyörätuoliin asennettujen lisälaitteiden yhteispaino) ilmoitetaan sarjanumerokilvessä, joka sijaitsee istuimen alla poikki- tai stabilointitangossa.

Takuu on voimassa vain siinä tapauksessa, että tuotetta käytetään määritellyissä olosuhteissa ja määriteltyihin käyttötarkoituksiin.

Pyörätuolin suunniteltu käyttöikä on viisi vuotta.

Pyörätuoliin EI SAA ASENTAA MITÄÄN OSIA, joiden käyttöä Sunrise Medical ei ole hyväksynyt.

Sovellusala.

Indikaatiot

Pyörätuolissa on monia kokoonpanovaihtoehtoja ja modulaarinen rakenne, joten sitä voivat käyttää myös henkilöt, jotka eivät pysty kävelemään tai joiden liikuntakyky on rajoittunut esim. seuraavista syistä:

- Halvaus
- Raajan menetys (alaraaja-amputaatio)
- Raajan epämuodostuma
- Niveljäykistymä/nivelvamman
- Erilaiset sairaudet, esim. sydän- ja verisuonitaudit, tasapainohäiriöt tai kaksekiä, neurologiset sairaudet, lihasdystrofia, hemiplegia. Soveltuu myös vanhemmille ihmisille, joilla on vielä voimia ylävartalossa.

Kontraindikaatiot

Pyörätuolia ei saa käyttää ilman avustajaa seuraavissa tapauksissa:

- Havaintohäiriö
- Epätasapaino
- Molempien käsivarsien menetys, jos hoitaja ei avusta käyttäjää
- Molempien käsivarsien niveljäykistymä tai nivelvaurio
- Kykenemätön istumaan

Hankintapäätöstä tehdessä tulee huomioida käyttäjän kehon koko, paino, fyysinen ja psyykinen terveys, ikä, elinolot ja elinympäristö.

Sisällysluettelo

Sisällysluettelo	170
Yleiset käyttöturvallisuutta koskevat varoitukset ja ajorajoitukset	171
Takuutiedot	173
Kuljetettavuus	174
Käsittely	176
Lisävarusteet - Kynnyspolkimet	176
Lisävarusteet - Jarrut	176
Lisävarusteet - Jalkalevyt	177
Lisävarusteet – Amputaatiotuki	178
Lisävarusteet - Nostettavat jalkatuet	178
Lisävarusteet - Kääntyvät etupyörät	178
Lisävarusteet – Etupyörien sovitin	179
Lisävarusteet - Selkänoja	179
Lisävarusteet – Sivusuoja	180
Lisävarusteet – Toispuolihalvaantuneen käsinoja	180
Lisävarusteet – Kaatumaesteet	180
Lisävarusteet – Lantiovyö	181
Lisävarusteet – Istuin	182
Lisävarusteet - Abduktio	183
Lisävarusteet – Työntökahvat	183
Lisävarusteet – Pääntuet	183
Lisävarusteet - Terapia-alusta	183
Valmistekilpi	184
Päivittäiset tarkistukset	184
Renkaat ja asennus	185
Ylläpito ja huolto	185
Vianmääritys	186
Materiaalien hävittäminen/kierrätys	186

Määritelmät

3.1 Käyttöoppaassa käytettävien sanojen määritelmät

Sana	Määritelmä
 VAARA!	Varoittaa käyttäjää vakavan loukkaantumisen tai kuoleman vaarasta, jos ohjetta ei noudateta
 VAROITUS!	Varoittaa käyttäjää mahdollisesta loukkaantumisen vaarasta, jos ohjetta ei noudateta
 HUOMIO!	Tiedotus käyttäjälle, että laite saattaa vaurioitua jos ohjetta ei noudateta
HUOMAUTUS:	Yleinen ohje tai suositeltava menettelytapa
	Viite lisäohjeisiin

HUOMAUTUS:

Tässä käyttöoppaassa esitetyt pyörätuolit saattavat poiketa joiltakin osin ostamastasi mallista. Tästä huolimatta kaikki näissä käyttöohjeissa esitetyt ohjeet koskevat täysin hankkimaasi mallia.

Valmistaja varaa oikeuden muuttaa käyttöoppaassa esitettyjä painoja, mittoja ja muita teknisiä tietoja ilman ennakoilmoitusta. Kaikki tässä käyttöoppaassa esitetyt luvut, mitat ja tilavuudet ovat keskimääräisiä, niitä ei tule pitää teknisinä tietoina.

HUOMAUTUS:

Kirjoita paikallisen valtuutetun huoltopalvelun osoite ja puhelinnumero tähän tarkoitukseen varattuun tilaan.

Jos pyörätuoli rikkoutuu, ota yhteyttä huoltoon ja ilmoita kaikki oleelliset tiedot, jotta he voivat auttaa sinua nopeasti.

Jälleenmyyjän allekirjoitus ja leima

Yleiset käyttöturvallisuutta koskevat varoitukset ja ajorajoitukset

Tämä pyörätuoli on suunniteltu ja rakennettu mahdollisimman turvallisiksi. Pyörätuoli täyttää tai osittain jopa ylittää kaikki tällä hetkellä voimassa olevat kansainväliset turvallisuusstandardit. Pyörätuoli voi tästä huolimatta olla käyttäjälleen vaarallinen, jos sitä käytetään väärin. Pyörätuolin käyttäjän on noudatettava ehdottomasti seuraavia sääntöjä oman turvallisuutensa varmistamiseksi.

Epäpätevät tai virheelliset muutokset tai säädöt lisäävät onnettomuusriskiä. Pyörätuolin käyttäjä osallistuu jokapäiväiseen liikenteeseen teillä ja jalkakäytävillä. Haluamme muistuttaa tässä yhteydessä, että pyörätuolin käyttäjänä sinua koskevat kaikki samat liikennesäännöt kuin muitakin liikenteeseen osallistujia. Aja varovasti käyttäessäsi tätä pyörätuolia ensimmäistä kertaa. Opettele tuntemaan pyörätuolisi.

Tarkasta seuraavat kohteet ennen jokaista käyttökertaa:

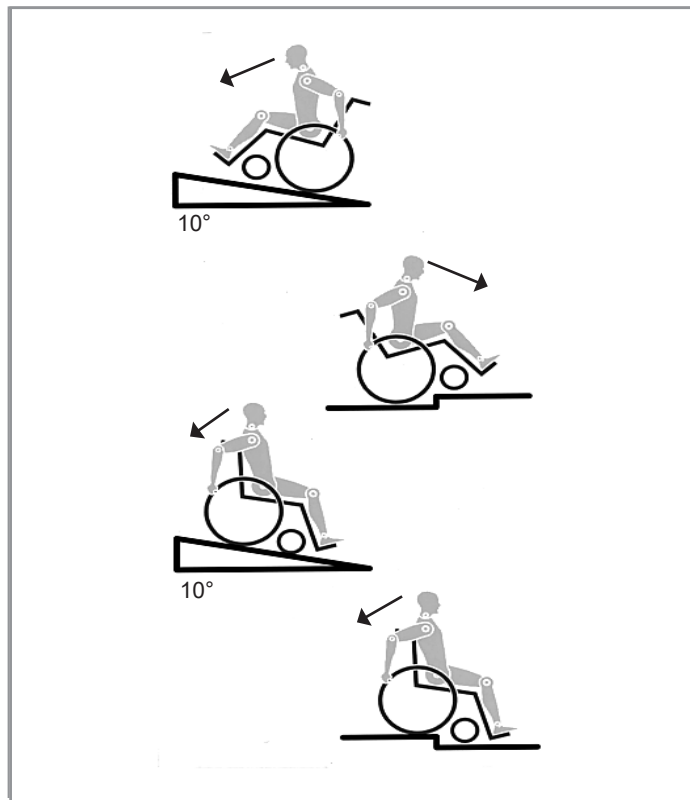
- Takapyörien pikalukolliset tai kiinteät akselit.
- Istuin- ja selkänojaosien tarrakiinnitykset
- Renkaat, rengaspaineet ja pyörien lukot.

Jos haluat muuttaa mitä tahansa pyörätuolin säätöjä, lue ensin vastaava kohta käyttöohjeista.

Tämä pyörätuoli voi kaatua kuoppaisella tiellä tai epätasaisella pinnalla ja etenkin ylä- tai alamäkeen ajettaessa. Jos ajat etusuunnassa askelman tai ylöspäin viettävän pinnan poikki, kallista vartaloasi eteenpäin.

⚠ VAARA!

- ÄLÄ KOSKAAN ylitä käyttäjän ja pyörätuolissa kuljetettävien tavaroiden yhteenlaskettua 145 kilon (XL = 170 kilon) enimmäiskuormitusta. Jos enimmäiskuormitus ylittyy, pyörätuoli voi vaurioitua tai sen käyttäjä voi pudota tuolista ja menettää tuolin hallinnan, jolloin sekä tuolin käyttäjä että muut ihmiset voivat loukkaantua.
- Jos ajat pyörätuolilla pimeällä, käytä vaaleita vaatteita ja heijastimia, jotta sinut nähdään paremmin. Varmista että pyörätuolin sivuilla ja takana sijaitsevat heijastimet näkyvät kunnolla.
- Suosittelemme myös aktiivivalon asennusta.
- Vältä kaatumisia ja vaarallisia tilanteita harjoittelemalla uuden pyörätuolin käyttöä ensin tasaisella maalla ja hyvän näkyvyyden vallitessa.
- Älä käytä jalkalevyjä noustessasi pyörätuoliin tai siitä poistuessasi.



- Käännä jalkalevyt ensin yläasentoon ja mahdollisimman paljon sivuille. Siirry aina mahdollisimman lähelle paikkaa, johon haluat siirtyä.
- Käytä pyörätuolia aina huolellisesti. Vältä esimerkiksi esteen (askelma, katukiveyksen reuna) yli ajamista hidastamatta tai rakoihin ajamista.
- Pyörien lukkojen tarkoitus ei ole pysäyttää liikkuvaa pyörätuolia. Niillä varmistetaan, ettei pyörätuoli lähde vierimään itsestään. Jos pysähdyt epätasaiselle maalle, käytä aina pyörien lukkoja estääksesi tuolin tahaton vieriminen. Käytä aina molempia pyörien jarruja; muussa tapauksessa pyörätuoli voi kaatua.
- Muuttele painopistettäsi kokeillaksesi, miten se vaikuttaa pyörätuolin käyttäytymiseen esimerkiksi kaltevilla pinnoilla ja rinteissä tai esteitä ylittäessä. Suorita kokeilu avustajan kanssa.
- Pyörätuoli voi kaatua myös tasaisella pinnalla, jos asetukset ovat ääriasennossa (esim. takapyörät etumaisessa asennossa) ja käyttäjän asento ei ole täydellinen.
- Nojaa ylävartaloasi eteenpäin ylämäkeen ajaessasi tai askelmia ylittäessäsi.
- Nojaa ylävartaloasi enemmän taaksepäin alamäkeen ajaessasi. Älä koskaan yritä ajaa ylä- tai alamäkeen vinottain.
- Vältä liukuportaiden käyttöä - voit vammautua vakavasti jos putoat pyörätuolista liukuportaisissa.
- Älä käytä pyörätuolia rinteissä, joiden kallistuskulma on suurempi kuin 10°. Rinteissä ajettaessa pyörätuolin dynamiikkaan vaikuttavat pyörätuolin asetukset, käyttäjän taidot ja ajotyyli. Käyttäjän taitoja ja ajotyyliä ei voida määrittää ennalta, joten suurimman turvallisen kallistuskulman määrittäminen ei ole mahdollista. Käyttäjän on tästä syystä selvítettävä tämä parametri itse avustajan kanssa, joka estää pyörätuolia kaatumasta. Jos pyörätuolin käyttäjä on kokematon, kaatumaesteiden käyttö on erittäin suositeltavaa.
- Tämä pyörätuoli voi kaatua kuoppaisella tiellä tai epätasaisella pinnalla ja etenkin ylä- tai alamäkeen ajettaessa.
- Älä aja pyörätuolilla mutaisella tai jäisellä alustalla.
- Älä käytä pyörätuolia paikoissa, joihin jalankulkijoilta on pääsy kielletty.
- Älä työnnä käsiäsi pyörien pinnoihin tai takapyörän ja jarrun väliin pyörätuolin liikkuessi, ettet loukkaa käsiäsi.
- Jos pyörätuolissa on kevytmetalliset kelausvanteet, sormet kuumentuvat helposti suuresta vauhdista jarrutettaessa tai pitkissä rinteissä.
- Yritä askelmien ylitystä ainoastaan avustajan läsnäollessa. Pyörätuolin käyttäjiä varten on olemassa erilaisia apuvälineitä kuten nousuliuskkoja tai nostureita; ole hyvä ja käytä niitä. Jos apuvälineitä ei ole käytettävissä, pyörätuolia on kallistettava ja työnnettävä askelmien ylitse (2 avustajaa); pyörätuolia ei saa koskaan kantaa. Suosittelemme, että yli 100 kg painoisia käyttäjiä ei tulisi siirtää tällä tavalla. Mahdolliset kaatumaesteet on asetettava etukäteen siten, että ne eivät voi ottaa kiinni askelmiin ja aiheuttaa vakavaa kaatumista. Kallistuksenestoputket on asetettava takaisin oikeaan asentoon heti käytön jälkeen.

⚠️VAARA!

- Varmista, että avustaja pitää kiinni pyörätuolista ainoastaan vankasti kiinnitetyistä osista. Älä pidä kiinni irtoavista osista (esim. jalkatuista tai sivusuojista).
- Varmista nosturia käytettäessä, että kallistuksenestoputket on sijoitettu siten, että ne eivät voi aiheuttaa vaaratilannetta.
- Lukitse pyörätuolin jarrut epätasaisella alustalla tai siirrettäessä (esim. autoon).
- Varmista nosturia käytettäessä, että kallistuksenestoputket on sijoitettu siten, että ne eivät voi aiheuttaa vaaratilannetta.
- Lukitse pyörätuolin jarrut epätasaisella alustalla tai siirrettäessä (esim. autoon).
- Jos pyörätuolia kuljetetaan liikuntaesteisten henkilöiden kuljetukseen erikoistuneella autolla, pyörätuolin käyttäjän tulee mahdollisuuksien mukaan käyttää auton istuimia ja turvavöitä. Tämä on ainoa tapa varmistaa pyörätuolin käyttäjän paras mahdollinen suojaus kolarin varalta.
- Tukipyörät voivat alkaa vaappua suurissa nopeuksissa pyörien halkaisijan, sijainnin ja pyörätuolin painopisteen asetusten seurauksena. Tukipyörät voivat tässä tapauksessa lukkiutua ja pyörätuoli voi kaatua. Varmista tämän vuoksi, että etupyörät on asetettu oikein (katso kohta "Tukipyörät").
- Suosittelemme aloitteleville käyttäjille kaatumaesteiden käyttöä.
- Kaatumaesteiden tarkoitus on estää pyörätuolin kaatuminen taaksepäin. Niitä ei saa missään tapauksessa käyttää kuljetuspyörinä; pyörätuolia ei saa käyttää, jos takapyörät on poistettu.
- Jos kurotat jotakin esinettä kohti (joka sijaitsee pyörätuolin edessä, sivulla tai sen takana), varo ettet kumarra liian pitkälle – pyörätuoli voi kaatua, jos sen painopiste muuttuu. Jos pyörätuolin selkänöjan putkiin ripustetaan ylimääräinen kuorma (reppu tai vastaava), pyörätuolin vakaus voi kärsiä etenkin silloin, kun pyörätuolissa on kallistettava selkänöja. Pyörätuoli voi kaatua taaksepäin ja aiheuttaa siten loukkaantumisen.
- Jos käyttäjän jalat on amputoitu reisistä, kallistuksenestoputkien käyttö on pakollista.
- Tarkista ennen liikkeelle lähtöä, että rengaspaineet ovat oikealla tasolla. Takarenkaiden rengaspaineen tulee olla vähintään 3,5 baaria (350 kPa). Enimmäispaine ilmoitetaan renkaassa. Jarrut toimivat vain siinä tapauksessa, että rengaspaine on riittävä ja jarrut on säädetty oikein (katso kohta "Pyörälukot").
- Jos havaitset istuimessa tai selkänöjassa vaurioita, vaihda ne heti uusiin.
- Varo avotulta ja etenkin tupakointia. Istuin ja selkänöja voivat syttyä palamaan.
- Jos pyörätuoli on pitkään kuumassa auringonpaisteessa / kylmässä lämpötilassa, sen osat (esim. runko, jalkatuet, pyörälukot ja sivusuojat) voivat olla erittäin kuumia (>41 °C) / kylmiä (<0 °C).
- Varmista aina, että takapyörien pikakiinnitys akselit (jos käytössä) on asennettu oikein ja että ne lukkiutuvat (lukitusmekanismin kuulat näkyvät kokonaan akseliholkin läpi). Takapyörää ei voi irrottaa, jos pikalukkoa ei paineta sisälle.

⚠️HUOMIO!

- Rengaspaineet vaikuttavat polvivipujarrun toimintaan ja pyörätuolin ajo-ominaisuuksiin. Pyörätuoli on huomattavasti kevyempi ja sitä on helpompi käsitellä, kun takarenkait on täytetty oikein ja molemmissa renkaissa on sama paine.
- Varmista että renkaissa on riittävästi kulutus pintaa!
- Huomaa, että liikenteen joukossa liikkuessasi sinua koskevat kaikki liikennesäännöt.
- Käsittele ja säädä pyörätuolia aina varovasti!
- Säädot, joihin tarvitaan työkaluja, on annettava aina valtuutetun jälleenmyyjän tehtäväksi.
- Puhdista pyörätuoli säännöllisesti ruosteen ja suolakorroosion ehkäisemiseksi.
- Tarkasta niitit, ruuvit ja mutterit varmistaaksesi, että ne ovat kireällä ja että mitkään pyörätuolin osat eivät irtoa.
- Kaikkiin liikkuviin osiin liittyy sormien puserruksiin jäämisen vaara. Käsittele pyörätuolia varoen.
- Tässä käyttöoppaassa esitetyt tuotteet saattavat poiketa joiltakin osin ostamastasi mallista. Tästä huolimatta kaikki näissä käyttöohjeissa esitetyt ohjeet koskevat täysin hankkimaasi mallia.
- Valmistaja varaa oikeuden muuttaa käyttöoppaassa esitettyjä painoja, mittoja ja muita teknisiä tietoja ilman ennakkoilmoitusta. Kaikki tässä käyttöoppaassa esitetyt luvut, mitat ja tilavuudet ovat keskimääräisiä, niitä ei tule pitää teknisinä tietoina.

⚠️VAARA!

TUKEHTUMISVAARA – Tämä liikkumisen apuväline sisältää pieniä osia, jotka voivat tietyissä olosuhteissa aiheuttaa tukehtumisvaaran pienille lapsille.

KÄYTTÖIKÄ

Tuotteen odotettavissa oleva käyttöikä on 5 vuotta olettaen että: Sitä käytetään vain aiottuun käyttötarkoitukseen kaikki korjaus- ja huoltovaatimukset täyttyvät.

TAKUUTIEDOT**TÄMÄ TAKUU EI VAIKUTA MITENKÄÄN LAKISÄÄTEISIIN OIKEUKSIISI.**

Sunrise Medical* myöntää pyörätuoleilleen takuuehtojemme mukaisen takuun:

Takuuehdot

1. Jos jokin pyörätuolin osa on korjattava tai vaihdettava valmistus- tai materiaalivian vuoksi 24 kuukauden sisällä (5 vuoden sisällä rungon ja ristikon osalta) pyörätuolin toimitushetkestä, viallinen osa tai osat korjataan tai vaihdetaan ilmaiseksi. (Akuille myönnetään 12 kuukauden takuu edellyttäen, että akkujen huolto-ohjelmaa noudatetaan).
2. Ota takuuasioissa yhteyttä Sunrise Medicalin asiakaspalveluun ja kuvaile ongelma yksityiskohtaisesti. Jos käytät pyörätuolia muualla kuin Sunrise Medicalin valtuutetun huoltopalvelun alueella, korjaus- ja vaihtotyöt suorittaa toinen valmistajan määrittämä huoltopalvelun tarjoaja. Pyörätuolin korjauksen saa suorittaa vain Sunrise Medicalin valtuuttama huoltopalvelun tarjoaja (jälleenmyyjä).
3. Tämän takuun puitteissa korjatuille tai vaihdetuille osille myönnetään näiden takuuehtojen kohdan 1 mukaisesti takuu, joka päättyy pyörätuolin takuun päättyessä.
4. Asiakkaan kustannuksella asennetuille varaosille myönnetään 12 kuukauden takuu (asennushetkestä laskien) näiden takuuehtojen mukaisesti.
5. Takuu kattaa kuluvat osat (esim. pehmusteet, renkaat, sisäkumit ja vastaavat) vain siinä tapauksessa, että niiden ennenaikainen kuluminen johtuu suoranaisesti valmistusviasta.
6. Tämä takuu ei kata tapauksia, joissa pyörätuolin tai sen osien korjaus- tai vaihtotarve johtuu seuraavista syistä:
 - a) Tuotetta tai osaa ei ole ylläpidetty tai huollettu valmistajan käyttöoppaassa ja/tai huoltokäsikirjassa antamien suositusten mukaisesti.
 - b) Pyörätuolissa on käytetty muita kuin alkuperäisiä lisävarusteita.
 - c) Pyörätuoli tai osa on vaurioitunut välinpitämättömyyden, tapaturman tai väärän käytön seurauksena.
 - d) Pyörätuoliin tai sen osiin on tehty valmistajan määräyksistä poikkeavia muutoksia.
 - e) Korjaus on suoritettu ennen kuin asiasta on ilmoitettu asiakaspalveluumme.
7. Tähän takuuseen sovelletaan sen maan lakia, jossa tuote on ostettu Sunrise Medicalilta*.

**Tarkoittaa Sunrise Medicalin edustajaa, jolta laite on ostettu.*

Kuljetettavuus

VAARA!

Tämän ohjeen noudattamatta jättäminen voi johtaa vakavaan loukkaantumiseen tai kuolemaan!

Pyörätuolin kuljettaminen ajoneuvossa:

Ajoneuvoon kiinnitetty pyörätuoli ei ole yhtä turvallinen kuin ajoneuvon istuinjärjestelmä. Suosittelemme, että käyttäjä siirtyy aina ajoneuvon istuimeen. On olemassa tilanteita, joissa pyörätuolin käyttäjää ei voida aina siirtää. Seuraavia ohjeita on noudatettava, kun käyttäjää kuljetetaan ajoneuvossa, kun hän istuu pyörätuolissa:

1. Varmista, että ajoneuvo soveltuu matkustajan kuljettamiseen pyörätuolissa ja että pyörätuoli saadaan ajoneuvoon/ajoneuvosta. Ajoneuvon lattian tulee kantaa pyörätuolin käyttäjän, pyörätuolin ja lisälaitteiden yhteenlaskettu paino.
2. Pyörätuolin ympärillä tulee olla riittävästi tilaa, jotta pyörätuolin käyttäjän kiinnityshihnat ja turvavyö voidaan kiinnittää ja avata helposti.
3. Käytössä oleva pyörätuoli on sijoitettava siten, että siinä istutaan kasvat menosuuntaan päin ja pyörätuoli on kiinnitettävä tuolin hihnoilla ja käyttäjän hihnoilla (WTORS-hihnat, jotka täyttävät ISO 10542 - tai SAE J2249 -standardin vaatimukset.
4. Pyörätuolia ei saa kuljettaa ajoneuvossa muissa kuin testatuissa asennoissa (ei siis esim. sivusuunnassa) (kuva A).

5. Pyörätuoli tulee kiinnittää ISO 10542 - tai SAE J2249 -standardin täyttävällä kiinnityshihnajärjestelmällä, jossa on ei-säädettävät etuhihnat ja karabiineilla/S-koukuilla ja soljilla varustetut säädettävät takahihnat. Näissä hihnajärjestelmissä käytetään yleensä neljää hihnaa, jotka kiinnitetään pyörätuolin jokaiseen kulmaan.

6. Kiinnityshihnat tulee kiinnittää pyörätuolin runkoon (kuva seuraavalla sivulla); niitä ei saa kiinnittää mihinkään lisälaitteisiin tai -osiin kuten esim. pyörien pinnoihin, pyörälukkoihin tai jalkatukiin.

7. Kiinnityshihnat tulee asentaa mahdollisimman lähellä 45° kulmaa ja ne tulee kiristää huolellisesti valmistajan ohjeiden mukaisesti.

8. Pyörätuolin kiinnitysosien, rakenteen, rungon ja osien muutos- ja korvaustyöt voidaan suorittaa vain valmistajan luvalla. Mikäli näin ei tehdä, Sunrise Medicalin pyörätuolia ei voida kuljettaa ajoneuvossa.

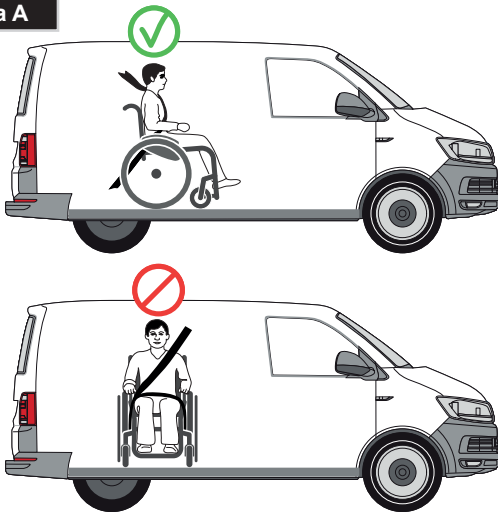
9. Lantio- sekä ylävartalovyöt on kiinnitettävä, jotta käyttäjän pää ja rinta eivät osu ajoneuvon osiin aiheuttaen vakavia vammoja käyttäjälle ja/tai muille matkustajille. (kuva B) Ylävartalon turvavyö tulee kiinnittää ajoneuvon B-pilariin - jos näin ei tehdä, käyttäjän riski saada vakavia vatsanseudun vammoja kasvaa huomattavasti.

10. Pyörätuoliin on aina asennettava kuljetuksen ajaksi sopiva pääntuki (katso pääntuen valmistetarra) ja se on sijoitettava sopivaan asentoon.

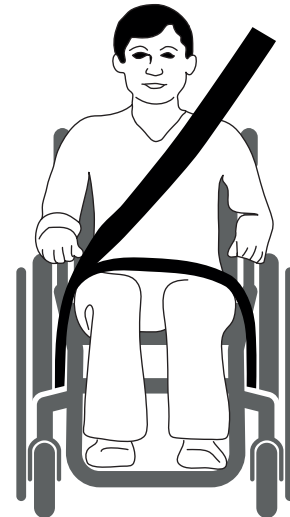
11. Ryhtitukia (syljihihnat, sylivyöt) ei pidä käyttää pyörätuolin käyttäjän turvajärjestelmänä liikkuvassa ajoneuvossa ellei niitä ole merkitty standardien ISO 7176-19:2001 tai SAE J2249 mukaisiksi.

12. Käyttäjän kuljetuksen aikainen turvallisuus riippuu täysin kiinnityshihnat kiinnittävän henkilön huolellisuudesta; kyseiselle henkilölle on annettava asianmukaiset ohjeet ja/tai koulutus kiinnitysjärjestelmien käyttöä varten.

Kuva A



Kuva B



Kuljetettavuus

13. Poista ja säilö kaikki lisävarusteet pois pyörätuolin lähetyviltä aina kun mahdollista. Esimerkkejä lisävarusteista: Kainalosauvat, irtotyynyt ja tarjotinpöydät.

14. Laskeva/nouseva jalkatuki ei saa olla yläasennossa, kun käyttäjä istuu ajoneuvossa kuljetettavassa pyörätuolissa ja pyörätuoli on kiinnitetty ajoneuvon pyörätuolin kiinnityshihnoilla ja turvavöillä.

15. Kallistettavat selkänojat tulee nostaa pystyasentoon.

16. Jarrut on kytkettävä päälle.

17. Turvavyöt tulee kiinnittää ajoneuvon B-pilariin ja pyörätuolin osat (esim. käsinojat tai pyörät) eivät saa pitää niitä erillään vartalosta.

KÄYTTÄJÄN TURVALLISUUSOHJEET:

1. Lannevyötä on pidettävä alhaalla lantion edessä siten että lannevyön kulma on halutussa kohtaa 30-75 asteen kulmassa. Suurempi (lähellä 75 astetta, mutta ei tätä suurempi) kulma on suositeltava. (Kuva C)

2. Ylävartalon turvavyö on asetettava olkapään päälle ja rinnan yli kuvien D ja E osoittamalla tavalla.

Turvavyöt on kiristettävä mahdollisimman tiukasti säilyttämällä käyttäjän mukavuus

Turvavyöt eivät saa kiertyä kun ne ovat käytössä.

Ylävartalon turvavyö on asetettava olkapään päälle ja sen yli kuvien D ja E osoittamalla tavalla.

3. Pyörätuolin kiinnityspisteet ovat sivukehyksien etuosan sisäpuolella aivan etupyörien yläpuolella ja sivurungon takaosassa. Hihnat kiinnitetään sivukehyksien vaak- ja pystyputkien risteyskohtiin. (Katso kuvat G-H)

4. Pyörätuolin rungon kiinnityskohtaan kuvake (kuva F) osoittaa kiinnityshihnojen kiinnityskohtaan. Hihnat kiristetään sen jälkeen, kun pyörätuolin etukiinnityshihnat on asetettu paikoilleen.

PYÖRÄTUOLIN KIINNITYSHIHNOJEN SIJAINNIT:

1. Pyörätuolin etu- (kuva G) ja takakiinnityskohtien (kuvat H) ja tarrojen sijainnit.

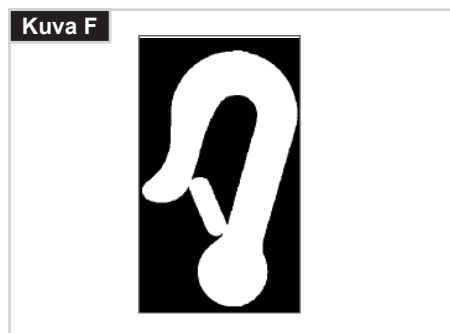
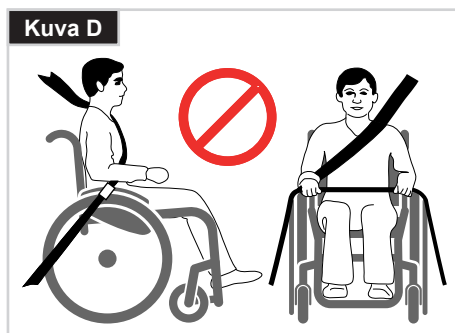
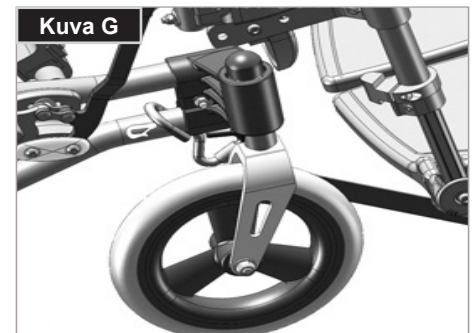
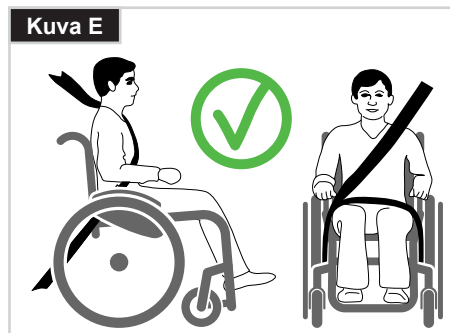
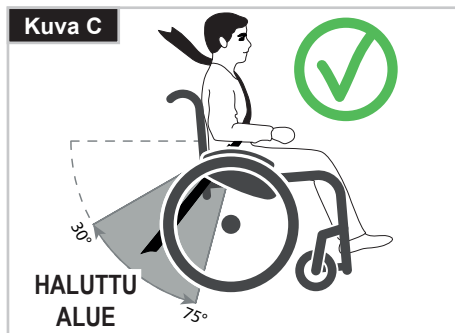
ALLE 22 KG PAINAVAT KÄYTTÄJÄT

Kun pyörätuolissa kuljetettava käyttäjä on alle 22 kg painava lapsi ja kuljetukseen käytettävässä ajoneuvossa on vähemmän kuin kahdeksan (8) matkustajapaikkaa, suosittelemme että lapsi siirretään UNCE-asetuksen 44 täyttävään lasten turvajärjestelmään.

Tämäntyyppinen turvajärjestelmä suojaa matkustajaa tehokkaammin kuin perinteiset kolmen pisteen turvavyöt. Jotkin turvajärjestelmät sisältävät myös erilaisia tukilaitteita, jotka auttavat pitämään lapsen istuma-asennossa.

Lapsen vanhemmat tai avustajat voivat joissakin tapauksissa harkita mahdollisuutta kuljettaa lapsi ajoneuvossa pyörätuolissa istuen, mikäli se tarjoaa paremman vartalon tuen ja istumamukavuuden.

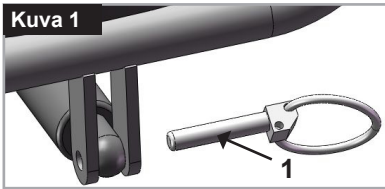
Suosittelimme ennen tällaisen kuljetusvaihtoehdon käyttöä että lääkintähenkilö tai muu vastaava henkilö suorittaa kuljetukseen liittyvän riskiarvioinnin.



Käsittely

KOKOON TAITTAMINEN

Selkänöjä voidaan taittaa eteen pyörätuolin kuljettamista varten. Kiinnitä selkänöjä siten, ettei se voi tippua vahingossa, poista turvasokka (1) ja taita sitten selkänöjää eteenpäin.



Pyörätuoli saadaan taittumaan pienempään tilaan poistamalla istuintyyny ja selkänöjan runko.



VAROITUS!

Loukkaantumisvaara – selkänöjä on kiinnitettävä/ pidettävä paikallaan ennen sen vapauttamista.

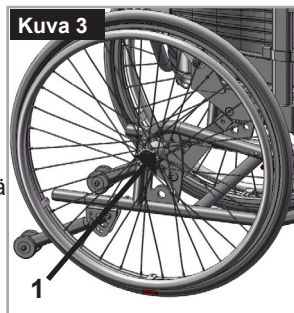
Selkänöjan palauttaminen pystyasentoon: taita selkänöjä ylös ja kiinnitä turvasokka paikalleen.

VAARA!

- Loukkaantumisvaara – varmista, että selkänöjä on kiinnitetty oikein!
- Varmista, että selkänöjan runko on lukittu paikalleen oikein.

TAKAPYÖRIEN PIKALUKOT

Takapyörät on varustettu pikakiinnitysakseleilla. Pyörät voidaan niiden ansiosta asentaa/ irrottaa ilman työkaluja. Irrota pyörä painamalla akselin vapautuspainiketta (1) ja vedä pyörä pois akselilta (kuva 3).



HUOMIO!

Pidä akselin pikalukon painike painettuna työntäessä akselia takaisin runkoon takapyöriä asennettaessa. Lukitse pyörä paikalleen vapauttamalla painike. Pikalukon painikkeen pitäisi palautua alkuperäiseen asentoonsa.

PYÖRÄTUOLIIN ISTUMINEN OMATOIMISESTI

(Kuva 4)

- Pyörätuoli tulee asettaa seinää tai tukevaa huonekalua vasten;
- Jarrujen tulee olla päällä.
- Jalkalevyjen tulee olla yläasennossa;
- Käyttäjä voi nyt laskea itsensä pyörätuoliin;
- Jalkalevyt tulee tämän jälkeen painaa ala-asentoon ja jalat tulee nostaa levyjen päälle kantapäiden lenkkien eteen.



PYÖRÄTUOLISTA NOUSEMINEN OMATOIMISESTI

(Kuva 5)

- Jarrujen tulee olla päällä.
- Taittujen jalkalevyjen tulee olla yläasennossa;
- Pyörätuolin käyttäjä tukee molemmilla käsillä käsinojiin ja kumartuu hieman eteenpäin jotta vartalon paino siirtyy istuimen etuosaan. Molemmat jalat tukevasti maassa ja toinen jalka taempamana käyttäjä työntää itsensä pystyasentoon.



VAROITUS!

- Kun nouset seisomaan, älä seiso jalkatukien päällä, koska pyörätuoli kaatuu tässä tapauksessa. Pääset helpommin ja turvallisemmin pyörätuoliin, kun nostat jalkalevyt ylös tai poistat ne pyörätuolista.
- Kytke aina jarrut päälle pyörätuoliin noustessasi ja siitä poistuessasi.

Lisävarusteet - Kynnyspolkimet

KYNNYSPOLKIMET

Kallistustangot on tarkoitettu avustajan avuksi kallistettaessa pyörätuolia esteen ylitse. Astu tangon päälle työntäksesi pyörätuoli esim. katukiveyksen tai askelman ylitse (kuva 6).



HUOMIO!

Sunrise Medical suosittelee ehdottomasti kynnyspolkimien käyttöä kaikissa kuljetuspyörillä varustetuissa malleissa sekä kaikissa malleissa, joiden kuljetuksesta vastaa etupäässä avustaja, koska työntökahvat voivat vaurioitua, jos pyörätuolia kallistetaan niitä käyttäen taaksepäin esteitä ylitettäessä.

Lisävarusteet - Jarrut

PYÖRIEN JARRUT

Pyörätuolissasi on kaksi pyörien lukkoa. Ne painavat suoraan renkai ta vasten. Aktivoi jarrut työntämällä molempia jarruvipuja eteenpäin. Vapauta jarrut vetämällä jarruvivut takaisin alkuperäiseen asentoon.

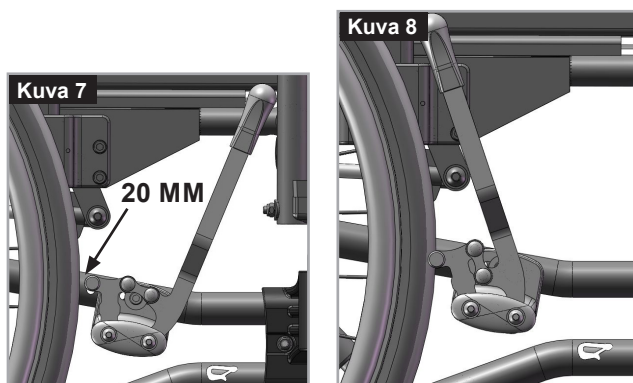
Jarrutusteho heikkenee, kun:

- Renkaan kulutuspinna on kulunut
- Rengaspaine on liian alhainen
- Renkaat ovat märät
- Pyörien jarrut on säädetty väärin

Jarruja ei ole tarkoitettu liikkuvan pyörätuolin pysäyttämiseksi. Älä koskaan pysäytä liikkuvaa pyörätuolia pyörien jarruja käyttäen. Jarruta aina kelausvanteilla. Varmista, että renkaiden ja pyörien jarrujen välilyönti vastaa valmistajan määräyksiä. Säädä välilyönti löysäämällä ruuvi ja määrittämällä oikea arvo. Kiristä ruuvi uudelleen (kuva 7-8).

⚠️ HUOMIO!

Tarkasta pyörälukkojen välilyönti aina takapyörien säädön yhteydessä ja säädä välilyönti tarvittaessa. Jos pyörän jarru asennetaan liian lähelle pyörää, sen käyttämiseksi tarvitaan enemmän voimaa. Jarruvipu voi hajota tämän seurauksena! Jarruvipu hajoaa, jos siihen nojataan pyörätuoliin/-tuolista noustessa! Renkaista roiskuva vesi voi estää pyörien jarrujen toiminnan.



RUMPUJARRUT

Avustaja voi jarruttaa pyörätuolia turvallisesti ja kätevästi rumpujarrujen avulla. Ne voidaan myös säätää lukitusvivun (1) avulla estämään pyörätuolin rullaus. Vivun on mentävä kuuluvasti paikalleen. Renkaiden ilmanpaine ei vaikuta rumpujarrujen toimintaan (Kuva 9).



⚠️ VAROITUS!

- Ainoastaan valtuutettu jälleenmyyjä saa säätää rumpujarrut.
- Käytä aina molempia rumpujarruja samanaikaisesti ajosuunnan hallittavuuden takaamiseksi!
- Rumpujarruja voidaan käyttää vain dynaamisena jarrutuskeinona pyörätuolin pysäyttämiseksi ajon aikana.
- Kytke jarrut aina päälle, jotta pyörätuoli pysyy paikallaan niin lyhyen kuin pitkänkin pysähdyksen sekä autokuljetuksen aikana.

Lisävarusteet - Jalkalevyt

JALKALEVYT:

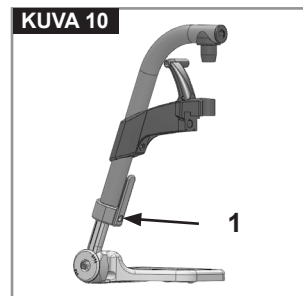
Jalkalevyt voidaan kääntää ylös pyörätuolista nousemisen ja pyörätuoliin istumisen helpottamiseksi.

SÄÄTÖ SÄÄREN PITUUDEN MUKAAN:

Pitkäjalkaiset käyttäjät voivat laskea jalkatuen sopivalle tasolle ruuvien (1) avulla. Löysää ruuvit, työnnä tangot haluttuun asentoon ja kiristä ruuvit (katso vääntömomenttia koskeva kohta). Jalkalevyjen ja maanpinnan väliin on jätävä vähintään 2,5 cm välilyönti, (kuva 10).

JALKATUET JA SALPA

Jalkatuet voidaan kääntää istuimen alle tai ulospäin. Jalkatukien on osoitettava sisään- tai ulospäin asennusvaiheessa. Käännä jalkatukea sisäänpäin kunnes se lukkiutuu paikalleen. Irrota jalkatuki vetämällä vipua (1), siirrä jalkatuki sisään- tai ulospäin ja nosta sitten jalkatuki irti. Varmista, että jalkatuki lukkiutuu oikein paikalleen (kuva 11).



⚠️ HUOMIO!

- Jalkatukia ei saa käyttää pyörätuolin nostamiseen tai kantamiseen.
- Älä käytä jalkalevyjä noustessasi pyörätuoliin tai siitä poistuessasi. Ne tulee kääntää etukäteen ylös tai jalkatuet tulee kääntää mahdollisimman paljon sivuille.

Lisävarusteet – Amputaatiotuki

AMPUTAATIOTUKI

(kuva 12).

Amputaatiotuki on säädettävissä kaikissa suunnissa.



KUVA 12

Lisävarusteet - Nostettavat jalkatuet

LISÄVARUSTE - NOSTETTAVA JALKATUKI

(kuva 13-15)

Irrota jalkatuki vetämällä vipua (1), siirrä jalkatuki ulospäin ja nosta sitten jalkatuki irti.

KORKEUDENSÄÄTÖ:

Sääripituutta voi säätää portaattomasti avaamalla ruuvi (2).

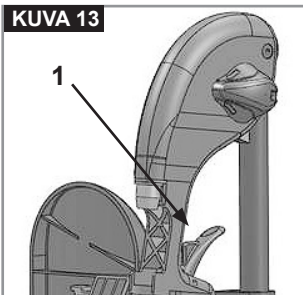
Säädä sopiva pituus ja kiristä ruuvi.

⚠️HUOMIO!

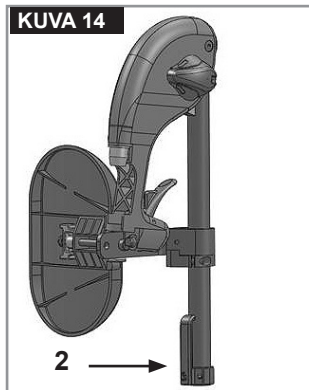
Jalkalevyjen ja maanpinnan väliin on jätävä vähintään 40 mm välys.

KULMAN SÄÄTÖ:

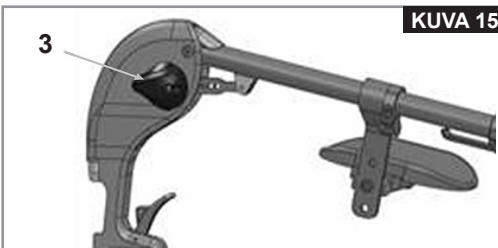
Paina vipua (3) alas yhdellä kädellä ja tue jalkatukea toisella kädellä. Kun saavutat halutun kulman, irrota vivusta ja jalkatuki lukkiutuu asentonsa.



KUVA 13



KUVA 14



KUVA 15

POHJETYYNYN SÄÄTÖ

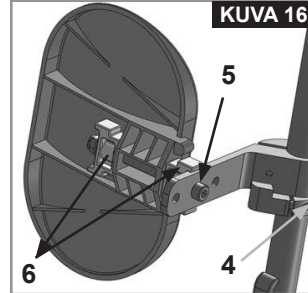
(kuva 16).

Pohjetyyny voidaan säätää seuraavalla tavalla:

Korkeus: Avaa pultti (4) ja siirrä kiinnityskappale haluttuun asentoon. Voit säätää tynyn kulmaa kääntämällä kiinnityskappaletta.

Syvyys: Avaa pultti (5) ja siirrä pohjetyyny haluttuun asentoon.

Leveys: Avaa pultti (5) ja asenna aluslevyt (6) tynyn taakse halutun asennon saavuttamiseksi.



KUVA 16

⚠️VAROITUS!

- Pidä kätesi loitolla rungon ja jalkatuen liikkuvien osien välisestä säädettävästä mekaniismista nostaessasi tai laskiessasi jalkatukea.
- Varmista aina, että kiinnittimet on kiinnitetty kunnolla.
- Jalkatukia ei saa käyttää pyörätuolin nostamiseen tai kantamiseen.
- Sormet voivat jäädä puristukseen! Älä laita sormiasi säätömekanismiin liikkuvien osien väliin nostaessasi tai laskiessasi jalkatukia.

Lisävarusteet - Kääntyvät etupyörät

TUKIPYÖRÄT, TUKIPYÖRIEN LEVYT JA HAARUKAT

Pyörätuoli voi puoltaa lievästi oikealle tai vasemmalle tai kääntyvät etupyörät voivat vaappua. Tämä voi johtua seuraavista syistä:

- Pyörän liikettä eteen- ja/tai taakse ei ole säädetty oikein.
- Tukipyörien kulmaa ei ole säädetty oikein.
- Tukipyörien ja/tai kuljetuspyörien rengaspaine on väärä; pyörät eivät käänny riittävän vapaasti.
- Pyörätuoli ei kulje suoraan jos kääntyvät etupyörät on väärin säädetty.

⚠️VAROITUS!

- Etupyörien säätö on aina annettava valtuutetun jälleenmyyjän tehtäväksi.
- Pyörien lukot on tarkastettava aina, kun takapyörien asentoa on muutettu.

Lisävarusteet – Etupyörien sovitin

ISTUIMEN KORKEUDEN SÄÄTÖ:

Istuimen korkeus määräytyy etu- ja takapyörien sijainnin mukaan. Istuimen korkeutta voidaan säätää käyttämällä erikokoisia takapyöriä, muuttamalla taka- ja etupyörien kiinnityspaikkaa ja välilevyjä käyttämällä.

⚠️HUOMIO!

- Kaikki ruuvit on kiristettävä uudelleen istuimen korkeudensäädön jälkeen.
- Kääntyvät etupyörät tulee asettaa 90° kulmaan.
- Näin ollen istuimen etu- ja takaosan korkeuden tulee olla aina sama.

Lisävarusteet - Selkänoja

COMFORT-SELKÄNOJA

(kuvat 17 - 19).

Sivutuella varustettu Comfort-selkänoja mahdollistaa pitkäaikaisen mukavan istumisen.

Selkänojan runko voidaan irrottaa kääntämällä nuppeja (1) ja työntämällä niitä ulospäin. Selkänojan runko vapautetaan ohjauksokoukuista työntämällä ylös- ja eteenpäin.

Tyyny on kiinnitetty tarranauhoilla ja se voidaan myös irrottaa.

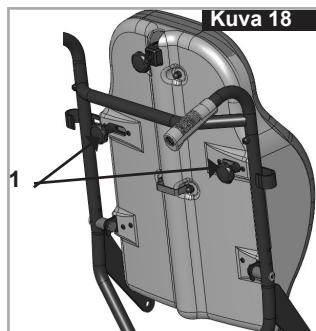
⚠️VAROITUS!

Varmista selkänojaa kiinnittäessäsi, että runko on kiinnittynyt oikein ohjauksokoukkuihin ja lukittu oikein paikalleen.

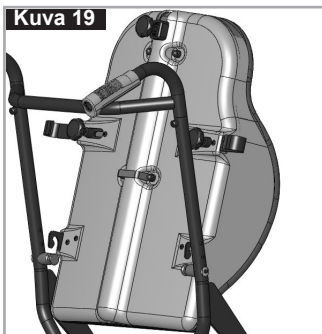
Kuva 17



Kuva 18



Kuva 19



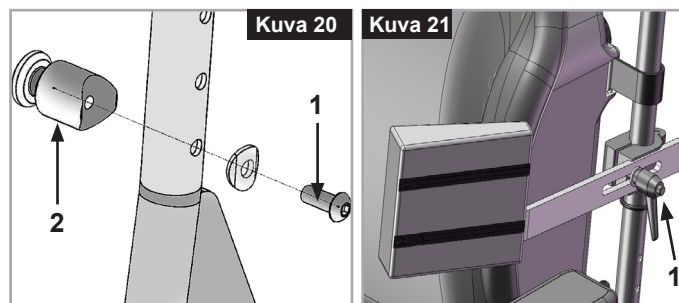
Lisävarusteet - Selkänoja

KORKEUDENSÄÄDÖLLÄ VARUSTETTU SELKÄNOJA

Selkänoja voidaan säätää neljään eri korkeuteen. Löysää ja irrota pultit (1) ja siirrä ohjauksokoukut (2) haluttuun asentoon. Kiristä pultit uudelleen, (Kuva 20).

YLÄVARTALOTUKI

Ylävartalo tuen kulma, syvyys ja korkeus ovat säädettävissä. Se voidaan kääntää sivulle vapautusvipua (1) kääntämällä. (Kuva 21)



KALLISTETTAVA SELKÄNOJA (0° - 35°)

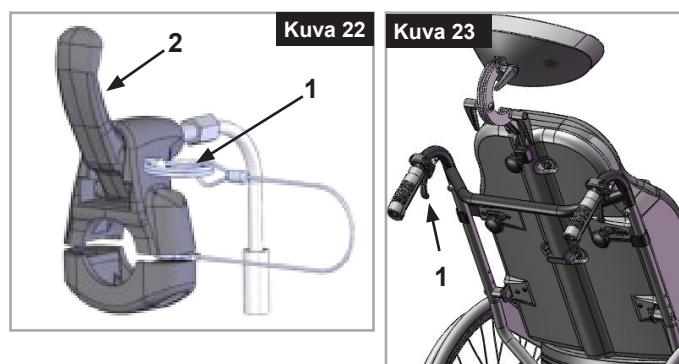
⚠️HUOMIO!

Irrota lukitussocka (1) ennen käyttöä (kuva 22).

Vetämällä vipua (2) vapautat selkänojan ja voit säätää sen haluttuun asentoon. Kun vipu (1) vapautetaan, selkänoja lukkiutuu automaattisesti valittuun asentoon (Kuva 23).

⚠️VAROITUS!

- Suosittelemme, että kallistettavaa selkänojaa käytetään yhdessä kaatumasteiden kanssa (suurin mahdollinen maavara 3 – 5 cm).
- Älä koskaan säädä selkänojan kallistuskulmaa jos pyörätuoli on kaltevalla pinnalla.
- Varmista että laitoit lukitussockan takaisin paikalleen.



Lisävarusteet – Sivusuoja

KORKEUSSUUNNASSA SÄÄDETTÄVÄT KÄSINOJAT

Säädä korkeus vetämällä vipua (1) ja työntämällä käsinoja haluttuun korkeuteen. Varmista säädön jälkeen, että vipu (1) lukkiutuu takaisin asentoonsa. Poista sivusuoja kokonaan työntämällä vipua (2). Vipua (2) on työnnettävä myös sivusuoja asennettaessa. Varmista aina, että sivusuoja lukkiutuu oikein pidikkeeseen. (Kuva 24).

VAROITUS!

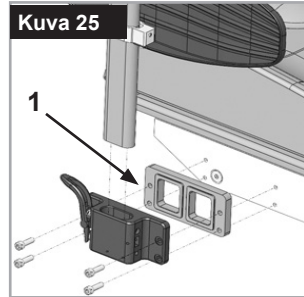
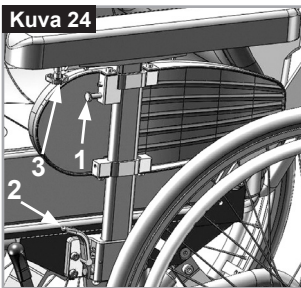
Käsinojan korkeutta säädettäessä on olemassa vaara, että sormet jäävät puristuksiin.

Käsinojan asentoa voidaan säätää avaamalla tähtinuppi (3) ja siirtämällä käsinoja haluttuun asentoon (kuva 24).

Varmista, että tähtinuppi on kiristetty kunnolla! Istuimen leveyttä voidaan lisätä 2 cm poistamalla sisempi pehmuste ja/tai lisäämällä kaksi aluslevyä (kuva 25).

HUOMAUTUS!

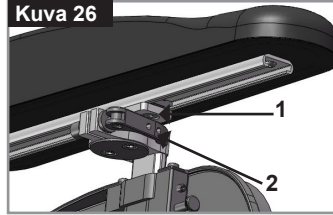
Käsinojaa ulos vedettäessä myös takapyörää on siirrettävä ulospäin (kuva 25).



Lisävarusteet – Toispuolihalvaantuneen käsinoja

TOISPUOLIHALVAANTUNEEN KÄSINOJA

Toispuolihalvaantuneen käsinojan pituus ja kulma ovat säädettävissä. Löysää kaksi ruuvia (1) ja säädä pituus työntämällä käsinojaa. Säädä kallistuskulma vapauttamalla vipu (2) ja kääntämällä käsinoja haluttuun asentoon ja kiristä vipu uudelleen (kuva 26).

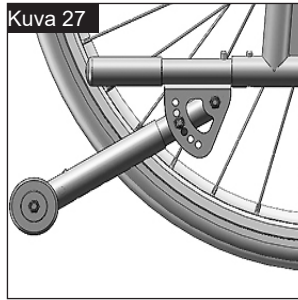


Lisävarusteet – Kaatumaesteet

KAATUMAESTEET

Kallistuksenestoputket antavat lisäturvaa kokemattomille käyttäjille, jotka vasta opettelevat käyttämään pyörätuolia. Ne estävät pyörätuolia kaatumasta taaksepäin.

Kallistuksenestoputki tulee työntää runkoputkeen siten, että ensimmäinen kahdesta jousipainikkeesta työntyy runkoputken ensimmäiseen reikään, (kuva 27).



VAROITUS!

Kallistuksenestoputkien väärä asennustapa lisää taaksepäin kaatumisen vaaraa. Kallistuksenestoputket on käännettävä ylös ylitettäessä isoja esteitä (esim. katukiveys) ylä- tai alasuunnassa, jotta ne eivät ota kiinni maahan. Käännä ne lopuksi takaisin tavalliseen asentoon.

HUOMAUTUS: Älä työnnä kallistuksenestoputken molempia jousipainikkeita runkoputkeen; kallistuksenestoputki voi vaurioitua ja menettää toimintatehonsa. Turvapyörät voidaan nostaa ylös tai poistaa vapautuspainiketta painamalla. Putken ja maan väliin on aina jäätävä 3 - 5 cm välys. Turvapyörät on nostettava ylös suuria esteitä (esim. katukiveys) ylitettäessä ylä- tai alasuunnassa, jotta ne eivät kosketa maahan. Käännä turvapyörät esteen ylityksen jälkeen takaisin normaaliin asentoon (kuva 27).

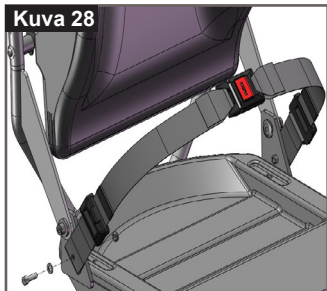
Lisävarusteet – Lantiovyö

LANTIOVYÖ



Varmista ennen pyörätuolin käyttöä, että lantiovyö on kiinnitetty ja että se on oikein säädetty.

Lantiovyö on kiinnitetty pyörätuoliin kuvissa näkyvällä tavalla. Istuinvyö koostuu kahdesta osasta. Ne kiinnitetään pyörätuoliin istuintuen kiinnityspultilla vyön silmukan lävitse. Istuinvyö johdetaan panelin takaosan alitse. (Kuva 28).



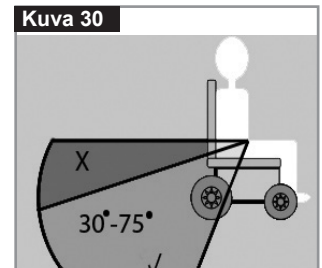
Säädä vyö siten, että soljet ovat istuimen keskellä.

Säädä vyö käyttäjälle sopivaksi seuraavalla tavalla:

Vyön pidentäminen	Vyön lyhentäminen	✓
		
Pidennä lantiovyötä syöttämällä vyötä eteenpäin vyönohjaimien ja solkiosan läpi.	Lyhennä lantiovyötä vetämällä vyötä taaksepäin vyönohjaimien ja solkiosan läpi.	Varmista, ettei vyö pääse kiertymään solkiosassa.

Kun lantiovyö on kiinnitetty, tarkista että vyö on säädetty oikein: vyön ja käyttäjän väliin tulee voida työntää enintään litteäksi ojennettu kämmen. (Kuva 29)

Lantiovyö tulisi asentaa siten, että vyöhihat yhdistyvät noin 45 asteen kulmassa. Lantiovyö on säädetty oikein, kun se estää käyttäjän valumisen alaspäin istuimella. (Kuva 30).



	
Vyön kiinnitys: Työnnä solkiosa tukevasti lukko-osaan.	Vyön avaus: Paina soljen ulkoreunoja sisäänpäin / paina lukitusosan keskiössä sijaitsevaa painiketta ja vedä solki kevyesti ulos.

NEUVOJA KÄYTTÄJÄLLE



- Älä käytä vain lantiovyötä, jos pyörätuolia kuljetetaan autossa käyttäjän istuessa pyörätuolissa; käytä myös auton turvavöitä.
- Suosittelemme, että tarkastat ennen käyttöä, että istuinvyö on säädetty oikein, liikkuu vapaasti, ei ole vaurioitunut ja että solki lukkiutuu kunnolla.
- Lantiovyön kiinnityksen ja oikean säädön tarkastamatta jättäminen ennen käyttöä voi johtaa käyttäjän vakavaan loukkaantumiseen. Jos lantiovyö on esimerkiksi liian löysällä, käyttäjä voi valua istuimella alaspäin ja joutua kuristuksiin.

HUOLTO:

Tarkasta lantiovyö ja vyön kiinnityskohdat säännöllisesti kulumien ja vaurioiden varalta. Vaihda tarvittaessa. Puhdista lantiovyö lämpimällä saippuavedellä ja anna vyön kuivua.

⚠ VAARA!

- Lantiovyö on säädettävä käyttäjälleen sopivaksi edellä mainittujen ohjeiden mukaisesti. Sunrise Medical suosittelee myös, että lantiovyön pituus ja kireys tarkastetaan säännöllisesti - käyttäjä voi huomaamattaan pidentää tai lyhentää lantiovyötä.
- Jos istuinvyön käyttö tuntuu epäselvältä, pyydä apua lääkintähenkilöltä, myyjältä tai pyörätuolin jälleenmyyjältä.

Lisävarusteet – Istuin

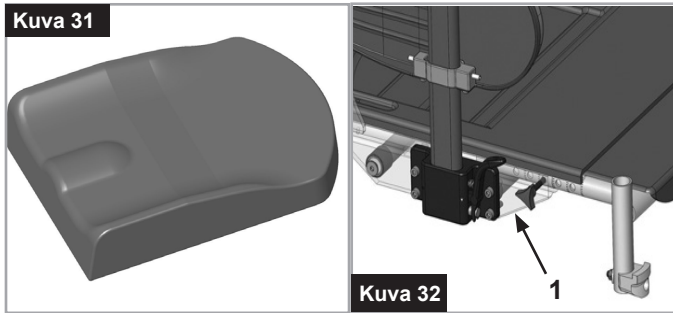
COMFORT-ISTUIN (KUVA 31).

Comfort-istuin on anatomisesti muotoiltu tyyny, joka mahdollistaa pitkäaikaisen mukavan istumisen. Tyyny on kiinnitetty tarranauhalla ja se voidaan poistaa. Päällinen voidaan pestä (katso tyynyn pesuohjeet).

ISTUIMEN SYVYYS (KUVA 32).

Löysäämällä molemmilla puolilla sijaitsevat tähtinupit (1) voit säätää istuimen syvyyttä 2 cm erissä. Niiden sijainti on merkitty istuinputkeen ja istuinlevyyteen. Aseta haluttuun kohtaan ja kiristä tähtinupit.

Kuva 31



⚠ HUOMIO!

- Istuimen maksimisyvyyttä (katso merkintä ja päätepiste) ei saa ylittää.
- Varmista, että tähtinupit on kohdistettu aina niitä vastaaviin reikiin ja kiristetty tiukasti.

ISTUIMEN LEVEYDENSÄÄTÖ

Pyörätuolin istuimen leveyttä voi laajentaa poistamalla sisäpehmusteet tai aluslevyjä lisäämällä (katso lisävarusteet - sivusuoja)

SÄÄDETTÄVÄ ISTUINKULMA (0°-25° / -3 -22°)

Irrota lukitussokka (1) ennen käyttöä (kuva 33).

Istuin vapautetaan vipua (2) vetämällä, jonka jälkeen se voidaan säätää haluttuun asentoon (kuva 34). Kun vipu vapautetaan, istuin lukkiutuu automaattisesti uuteen asentoon.

⚠ VAARA!

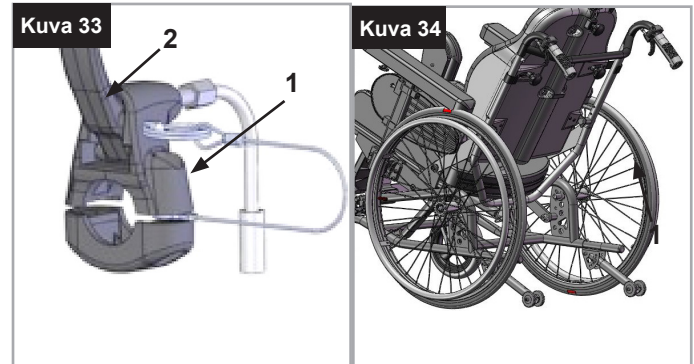
- Älä koskaan säädä istuimen kallistuskulmaa, jos pyörätuoli on kaltevalla pinnalla.
- Istuinkulman säätötoimintoa saa käyttää vain kaatumasteiden kanssa.

⚠ VAROITUS!

Istuinta säädettäessä on olemassa vaara, että sormet jäävät puristuksiin.

⚠ HUOMIO!

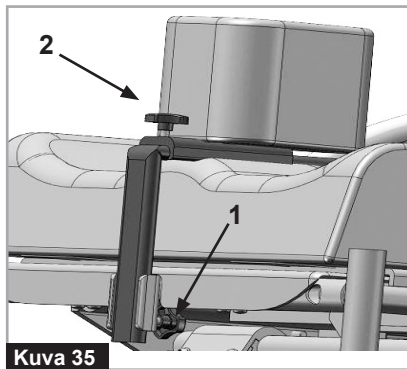
Vaijerit eivät saa koskaan olla kireällä oikean toiminnan takaamiseksi.



Lisävarusteet - Abduktio

ABDUKTIO

Abduktiokiilan korkeus säädetään löysäämällä ruuvi (1); syvyyden säätö ja kiilan poistaminen tapahtuu löysäämällä ruuvit (2) (kuva 35).



Lisävarusteet – Työntökahvat



KORKEUSSUUNNASSA SÄÄDETTÄVÄT TYÖNTÖKAHVAT

Löysäämällä tähtinupit (1) voit säätää työntökahvojen korkeuden sopivalle tasolle. Varmista aina työntökahvojen korkeuden säädön jälkeen, että tähtinupit (1) on kiristetty (kuva 36).

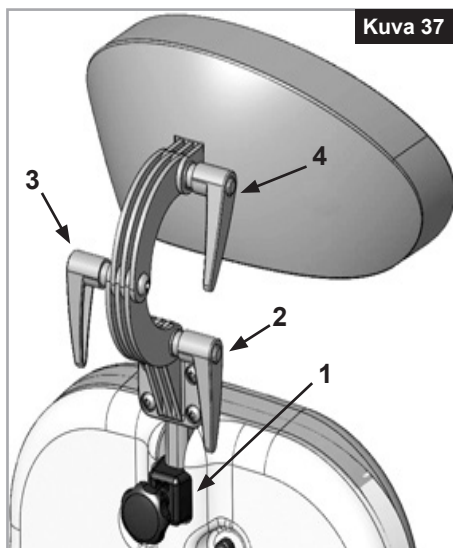


VAARA!
Jos tähtinuppeja ei ole kiristetty paikalleen, esteiden yli nostettaessa voi sattua tapaturma.

Lisävarusteet – Päätuet

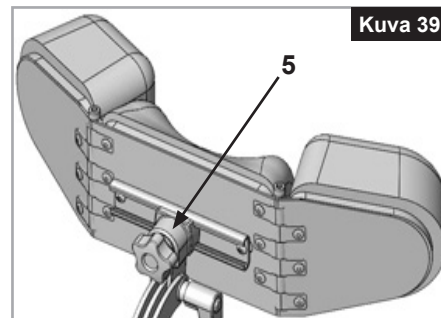
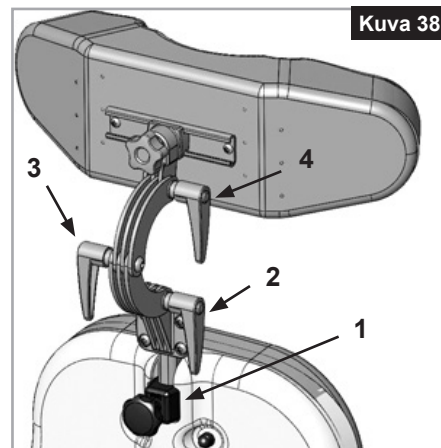
COMFORT-PÄÄNTUKI

Päätuki voidaan nostaa (1) ja siirtää eteen- ja taaksepäin (2-3-4). Löysää vapautusvivut/nupit, säädä päätuki haluttuun asentoon ja kiristä (kuva 37).



KOLMESSA SUUNNASSA SÄÄDETTÄVÄ PÄÄNTUKI

Päätuki voidaan nostaa (1) ja siirtää eteen- ja taaksepäin (2-3-4). Päätuen kiinnityksen keskipiste on myös säädettävissä (5). Löysää vapautusvivut/nupit, säädä päätuki haluttuun asentoon ja kiristä (kuvat 38-39).

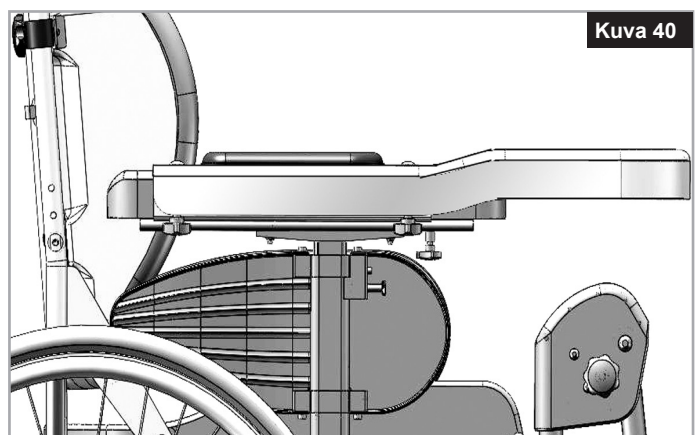


Lisävarusteet - Terapia-alusta

TERAPIA-ALUSTA

Liteä alusta, joka soveltuu hyvin useihin tehtäviin. Alusta on ennen ensimmäistä käyttökertaa säädettävä istuimen leveyteen sopivaksi valtuutetun jälleenmyyjän toimesta.

HUOMAUTUS: Käyttäjän on istuttava pyörätuolissa säätöä suoritettaessa (kuva 40).












Valmistekilpi

VALMISTEKILPI

Valmistekilpi sijaitsee joko poikkiputkessa tai poikkirungossa sekä käyttöoppaassa. Valmistekilvestä ilmenee tarkka malli ja muut tekniset tiedot. Ilmoita seuraavat tiedot tilatessasi varaosia tai takuukäsittelyssä:

SUOMI

MALLI

	Sunrise Medical GmbH Kahlbachring 2-4 D-69254 Malsch / Germany	 XXXX-XX-XX		
TYPE:	Wheelchair, Rollstuhl, Fauteil Roulant, Silla de Ruedas	SN XXXXXXXXXXXXXXXX		
Relax2	ISO 7176-19:2008			
 XXX kg	 max X°	 XXX mm	 XXX mm	 
				

Relax2

Tuotenimi/SKU-numero.



Suurin turvallinen rinteen kaltevuus kallistuksenestoputket asennettuina; vaihtelee pyörätuolin ominaisuuksien sekä käyttäjän asennon ja fyysisten kykyjen mukaan.



Istuimen leveys.



Syvyys (enintään).



Enimmäiskuormitus.



CE-merkintä.



Käyttöopas.



XXXX-XX-XX

Valmistuspäivä.



Sarjanumero.



Tämä symboli tarkoittaa lääkinällistä laitetta.




Valmistusosoite.

ISO 7176-19:2008

Läpäissyt törmäystestit standardin: ISO 7176-19:2008.

Pyörätuolimme jatkuvan tuotekehittelyn johdosta tekniset tiedot voivat vaihdella jonkin verran esitekuviin verrattuna. Kaikki painot/mitat ja tekniset tiedot ovat likimääräisiä ja esitetään ainoastaan opastusmielessä. Sunrise Medical noudattaa koskevan Lääkinällisiä laitteita koskeva asetus (EU) 2017/745.

 Kaikkia pyörätuoleja on käytettävä valmistajan käyttöohjeiden mukaisesti.

Sunrise Medical GmbH
Kahlbachring 2-4
69254 Malsch/Heidelberg
Deutschland
Tel.: +49 (0) 7253/980-0
Fax: +49 (0) 7253/980-222
kundenservice@sunrisemedical.de
www.SunriseMedical.de

Päivittävät tarkistukset

HUOMIO!

Käyttäjänä huomaat ensimmäisenä mahdolliset toimintahäiriöt. Siksi suosittelemme, että teet ennen jokaista käyttökertaa seuraavat tarkistukset:

- Tarkista, että rengaspaineet ovat oikealla tasolla
- Tarkista että jarrut toimivat oikein
- Tarkista, että kaikki irrotettavat osat, esim. käsinojat, jalkatuet, pyörien pikalukot jne. on kiinnitetty kunnolla
- Tarkista runko, selkänoja, istuimen ja selkänojan tukihihnat, pyörät, jalkalevyt jne. näkyvien vaurioiden varalta
- Ilmoita mahdolliset vauriot ja toimintahäiriöt jälleenmyyjällesi.

Renkaat ja asennus

RENKAAT JA ASENNUS

Umpikumi renkaat ovat vakiovarusteena tehtaalta.

Ilmarenkaita käytettäessä tulee varmistaa että rengaspaineet ovat oikeat; se vaikuttaa pyörätuolin ajo-ominaisuuksiin. Tarkista runko, selkänoja, istuimen ja selkänojan tukihihnat, pyörät, jalkalevyt jne. näkyvien vaurioiden varalta. Alhainen rengaspaine heikentää myös ohjattavuutta. Jos rengaspaine on liian korkea, rengas voi räjähtää. Rengaskohtainen oikea paine lukee renkaan kyljessä, (maks 3,5 bar).

Renkaat asennetaan samalla tavalla kuin polkupyörän renkaat. Tarkasta aina ennen uuden sisärenkaan asennusta ettei vanteessa ja sisärenkaassa ole vieraita esineitä. Tarkasta paine renkaan asennuksen ja korjauksen jälkeen. Käyttäjän turvallisuuden ja pyörätuolin toiminnan kannalta on ehdottoman tärkeää, että rengaspaineet pidetään oikeina ja renkaat ovat hyvässä kunnossa.

Ylläpito ja huolto

HUOLTO

- Tarkasta rengaspaineet 4 viikon välein. Tarkasta kaikki renkaat kulumien ja vaurioiden varalta.
- Tarkasta jarrut noin kerran kuussa varmistaaksesi, että ne toimivat kunnolla on helppo käyttää.
- Vaihda renkaat samalla tavalla kuin tavalliset polkupyörän renkaat.
- Kaikki pyörätuolin turvallisen käytön kannalta kriittiset liitokset on varmistettu lukkomuttereilla.
- Tarkasta kolmen kuukauden välein, että kaikki pultit ovat tiukasti kiinni (katso vääntömomenttia koskeva kohta).
- Turvamuttereita tulee käyttää vain kerran, jonka jälkeen ne on korvattava uusilla.
- Puhdista pyörätuoli ainoastaan miedolla pesuaineella. Puhdista istuimen päällinen ja lantiovyö ainoastaan saippualla ja vedellä.
- Jos pyörätuoli pääsee kastumaan, kuivaa se käytön jälkeen ruosteen ja suolakorroosion ehkäisemiseksi.
- Lisää pieni määrä ompelukoneöljyä akselien pikakiinnitykseseihin arviolta 8 viikon välein. Suosittelemme käyttötiheyden ja käyttötavan huomioiden pyörätuolin toimittamista valtuutetun jälleenmyyjän koulutetun henkilökunnan tarkastettavaksi vuoden välein.

HUOMIO!

Hiekka, merivesi ja tiesuola voivat vaurioittaa etu- ja takapyörrien laakereita. Puhdista pyörätuoli huolellisesti jos se on joutunut kosketuksiin em. aineiden kanssa.

Seuraavat osat voidaan irrottaa ja lähettää valmistajalle / jälleenmyyjälle korjattaviksi:
Takapyörät, käsinojat, kannatin, kaatumaesteet. Nämä osat ovat saatavina varaosina. Katso lisätietoja varaosaoppaasta.

KÄYTTÖÖN LIITTYVÄ HYGIENIA:

Pyörätuolin kaikki pinnat, jotka voivat olla kosketuksissa käyttäjän kanssa tulee puhdistaa huolellisesti desinfiointiaineella ennen pyörätuolin luovuttamista seuraavalle käyttäjälle.

Nopea desinfiointi saavutetaan käyttämällä alkoholipohjaista lääkintälaitteiden desinfiointiainetta. Noudata desinfiointiaineen valmistajan antamia käyttöohjeita.

Saumakohtia ei yleensä pystytä desinfioimaan riittävän hyvin. Siksi suosittelemme, että mikrobien saastuttamat istuin ja selkänojan osat hävitetään turvallisesti aktiivisia aineita käyttäen infektiolain § 6 mukaisesti.

VARASTOINTI

Säilytä/varastoi pyörätuoli kuivassa paikassa.

Vianmääritys

PYÖRÄTUOLI PUOLTA JOMMALLE KUMMALLE PUOLELLE

- Tarkasta rengaspaine (vain ilmarenkaat)
- Tarkasta, että pyörät pyörivät helposti (laakerit, akseli)
- Tarkasta, että kääntyvien etupyörien kulmat vastaavat toisiaan ja että pyörät ottavat kunnolla kiinni maahan
- Varmista että etupyörien haarukoiden laakerit pyörivät vapaasti

ETUPYÖRÄT ALKAVAT VAAPPUA

- Tarkasta etupyörien kulma
- Tarkasta että kaikki pultit on kunnolla kiristetty; kiristä tarvittaessa (katso vääntömomenttia koskeva kohta)
- Varmista, että molemmat etupyörät koskettavat maahan

PYÖRÄTUOLI NARISEE JA RÄMISEE

- Tarkasta että kaikki pultit on kunnolla kiristetty; kiristä tarvittaessa (katso vääntömomenttia koskeva kohta)
- Lisää vähän voiteluainetta kohtiin, joissa liikkuvat osat koskettavat toisiaan

PYÖRÄTUOLI ALKAA VAAPPUA

- Tarkasta etupyörien kulmat
- Tarkasta rengaspaineet
- Tarkasta ovatko kuljetuspyörät säädetty toisistaan poikkeavasti

VAIMENTIMET JA VAIJERIT

⚠ HUOMAUTUS!

Pyörätuolin ensiluokkaisen toiminnan takaamiseksi sinun on varmistettava, että vaijerit eivät koskaan ole liian kireällä.

ONGELMA:

Välitys vivussa

RATKAISU:

Löysää säätöruuvia (1) kunnes vivussa (2) ei ole välystä (kuva 41).



ISTUIMEN KALLISTUSKULMAN ASETUS

ONGELMA:

Istuin siirtyy pois asennosta vaikka vaimentimia ei ole vapautettu

SYY:

Vaimentimen vaijerit ovat liian kireällä.

RATKAISU:

Sääda vaijerien säätöruuvia (1)

⚠ HUOMAUTUS!

Suojele vaijereita vaurioitumiselta (kiertymiseltä).

Jos vaijeri pääsee kiertymään se on uusittava.

Materiaalien hävittäminen/kierrätys

HUOMAUTUS: Jos et ole maksanut mitään pyörätuolista se ei ehkä ole omaisuuttasi. Jos et enää tarvitse pyörätuolia, noudata pyörätuolin antaneen tahon ohjeita pyörätuolin palauttamiseksi.

Ohessa esitetään pyörätuolin materiaalit ja pyörätuolin ja sen pakkauksen kierrätykseen ja hävittämiseen liittyvät tiedot. Noudata paikallisia kierrätykseen ja jätteiden hävittämiseen liittyviä määräyksiä mikäli aiot toimittaa pyörätuolin kierrätettäväksi tai hävitettäväksi. (Määräyksissä voidaan myös vaatia, että pyörätuoli puhdistetaan tai desinfioidaan ennen hävittämistä).

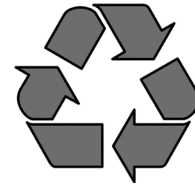
Teräs: Kiinnittimet, pikakiinnitysakseli, sivurungot, käsinojat, runko, jalkatuet, työntökahvat.

Muovi: Kädensijat, tukipyörien haarukat, tulpat, tukipyörät, jalkalevyt, kyynärnojat ja 12" renkaat, pyörät, sivusuojat.

Pakkausmateriaalit: huokoinen polyeteenipussi, pahvilaatikko.

Verhoilu: Polyesterkudos, PVC-pinnoite ja vaahtomuovi.

Jätteiden hävitys ja kierrätys tulee antaa virallisesti hyväksytyyn toimipisteen suoritettavaksi. Pyörätuoli voidaan vaihtoehtoisesti palauttaa jälleenmyyjälle kierrätettäväksi.



Sunrise Medical S.r.l.
Via Riva, 20 – Montale
29122 Piacenza
Italia
Tel.: +39 0523 573111
Fax: +39 0523 570060
www.SunriseMedical.it

Sunrise Medical AG
Erlenauweg 17
CH-3110 Münsingen
Schweiz/Suisse/Svizzera
Fon +41 (0)31 958 3838
Fax +41 (0)31 958 3848
www.SunriseMedical.ch

Sunrise Medical AS
Delitoppen 3
1540 Vestby
Norge
Telefon: +47 66 96 38 00
post@sunrisemedical.no
www.SunriseMedical.no

Sunrise Medical AB
Neogatan 5
431 53 Mölndal
Sweden
Tel.: +46 (0)31 748 37 00
post@sunrisemedical.se
www.SunriseMedical.se

MEDICCO s.r.o.
H – Park, Heršpická 1013/11d,
639 00 Brno
Czech Republic
Tel.: (+420) 547 250 955
Fax: (+420) 547 250 956
www.medicco.cz
info@medicco.cz
Bezplatná linka 800 900 809

Sunrise Medical Aps
Mårkærvej 5-9
2630 Taastrup
Denmark
+45 70 22 43 49
info@sunrisemedical.dk
Sunrisemedical.dk

Sunrise Medical Australia
11 Daniel Street
Wetherill Park NSW 2164
Australia
Ph: +61 2 9678 6600
enquiries@sunrisemedical.com.au
www.SunriseMedical.com.au

Sunrise Medical
North American Headquarters
2842 Business Park Avenue
Fresno, CA, 93727, USA
(800) 333-4000
(800) 300-7502
www.SunriseMedical.com



Sunrise Medical GmbH
Kahlbachring 2-4
69254 Malsch/Heidelberg
Deutschland
Tel.: +49 (0) 7253/980-0
Fax: +49 (0) 7253/980-222
www.SunriseMedical.de

Sunrise Medical
Thorns Road
Brierley Hill
West Midlands
DY5 2LD
England
Phone: 0845 605 66 88
Fax: 0845 605 66 89
www.SunriseMedical.co.uk

Sunrise Medical S.L.
Polígono Bakiola, 41
48498 Arrankudiaga – Vizcaya
España
Tel.: +34 (0) 902142434
Fax: +34 (0) 946481575
www.SunriseMedical.es

Sunrise Medical Poland
Sp. z o.o.
ul. Elektronowa 6,
94-103 Łódź
Polska
Telefon: + 48 42 275 83 38
Fax: + 48 42 209 35 23
E-mail: pl@sunrisemedical.de
www.Sunrise-Medical.pl

Sunrise Medical B.V.
Groningenhaven 18-20
3433 PE NIEUWEGEIN
The Netherlands
T: +31 (0)30 – 60 82 100
F: +31 (0)30 – 60 55 880
E: info@sunrisemedical.nl
www.SunriseMedical.nl

Sunrise Medical HCM B.V.
Vossenbeemd 104
5705 CL Helmond
The Netherlands
T: +31 (0)492 593 888
E: customerservice@sunrisemedical.nl
www.SunriseMedical.nl
www.SunriseMedical.eu
(International)

Sunrise Medical S.A.S
ZAC de la Vrillonnerie
17 Rue Mickaël Faraday
37170 Chambray-Lès-Tours
Tel : + 33 (0) 247554400
Fax : +30 (0) 247554403
www.sunrisemedical.fr

